



US00D339785S

# United States Patent [19]

[11] Patent Number: **Des. 339,785**

Schierau

[45] Date of Patent: **\*\* Sep. 28, 1993**

[54] **GLARE REDUCING VISOR**

4,090,732 5/1978 Vistitsky ..... 296/97.11

[76] Inventor: **Peter Schierau**, 42 Holm Cres., Thornhill, Ont., Canada, L3T 5J3

*Primary Examiner*—James M. Gandy  
*Attorney, Agent, or Firm*—Terry M. Gernstein

[\*\*] Term: **14 Years**

[57] **CLAIM**

[21] Appl. No.: **903,186**

The ornamental design for a glare reducing visor, as shown and described.

[22] Filed: **Jun. 25, 1992**

**DESCRIPTION**

[52] U.S. Cl. .... **D12/191**

[58] Field of Search ..... D12/191; 296/97.1, 97.6, 296/97.7, 97.8, 97.11; 160/DIG. 3

FIG. 1 is a front, top and end perspective view of the glare reducing visor embodying the design of the present invention;

FIG. 2 is an end elevational view thereof, the end opposite being a mirror image of the end shown in FIG. 2;

FIG. 3 is a rear elevational view thereof;

FIG. 4 is a front elevational view thereof;

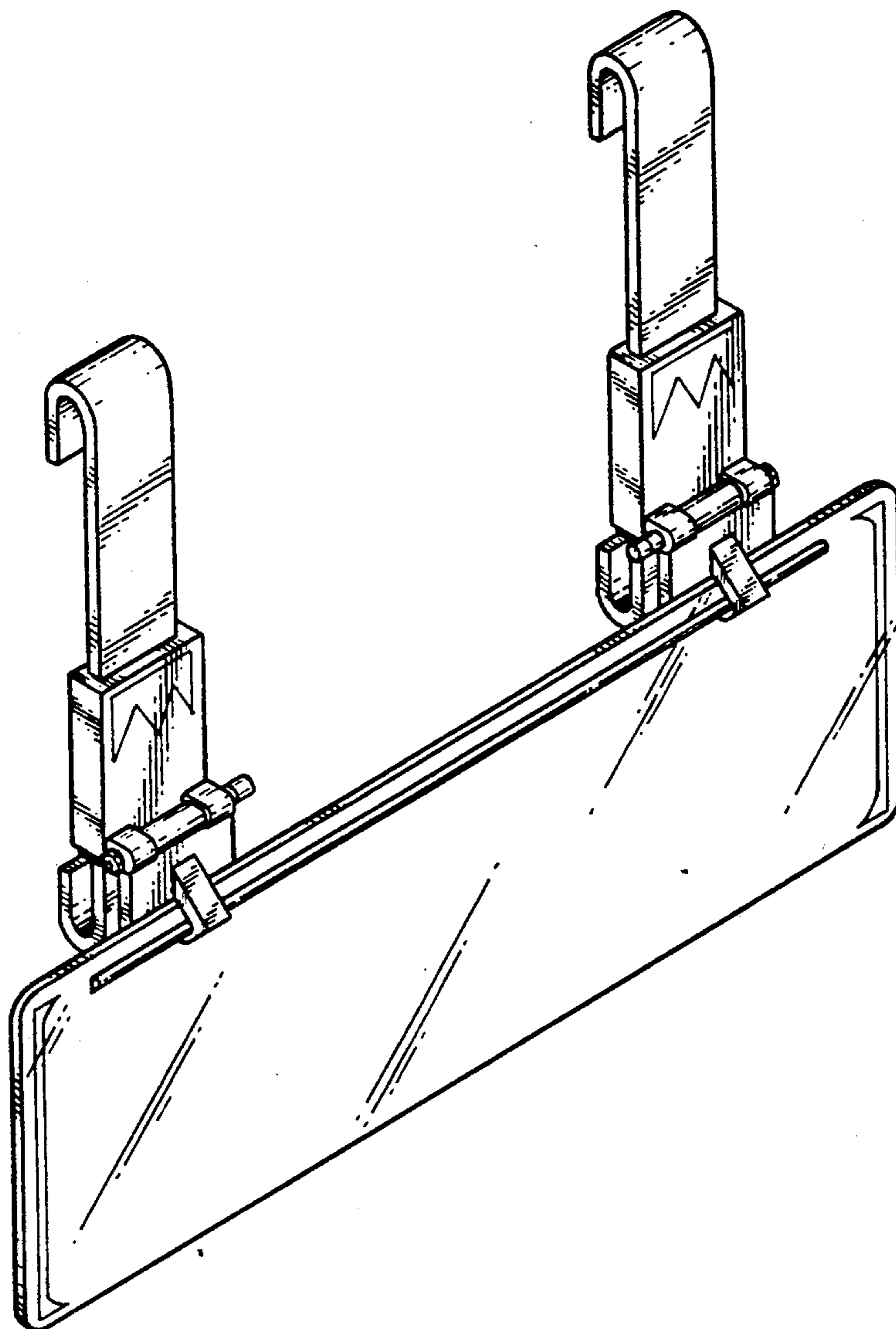
FIG. 5 is a top plan view thereof; and,

FIG. 6 is a bottom view thereof.

[56] **References Cited**

**U.S. PATENT DOCUMENTS**

3,304,118	2/1967	Jonas	.....	296/97.6
3,853,370	12/1974	Barnhart	.....	296/97.6
3,948,554	4/1976	Barbee	.....	296/97.6



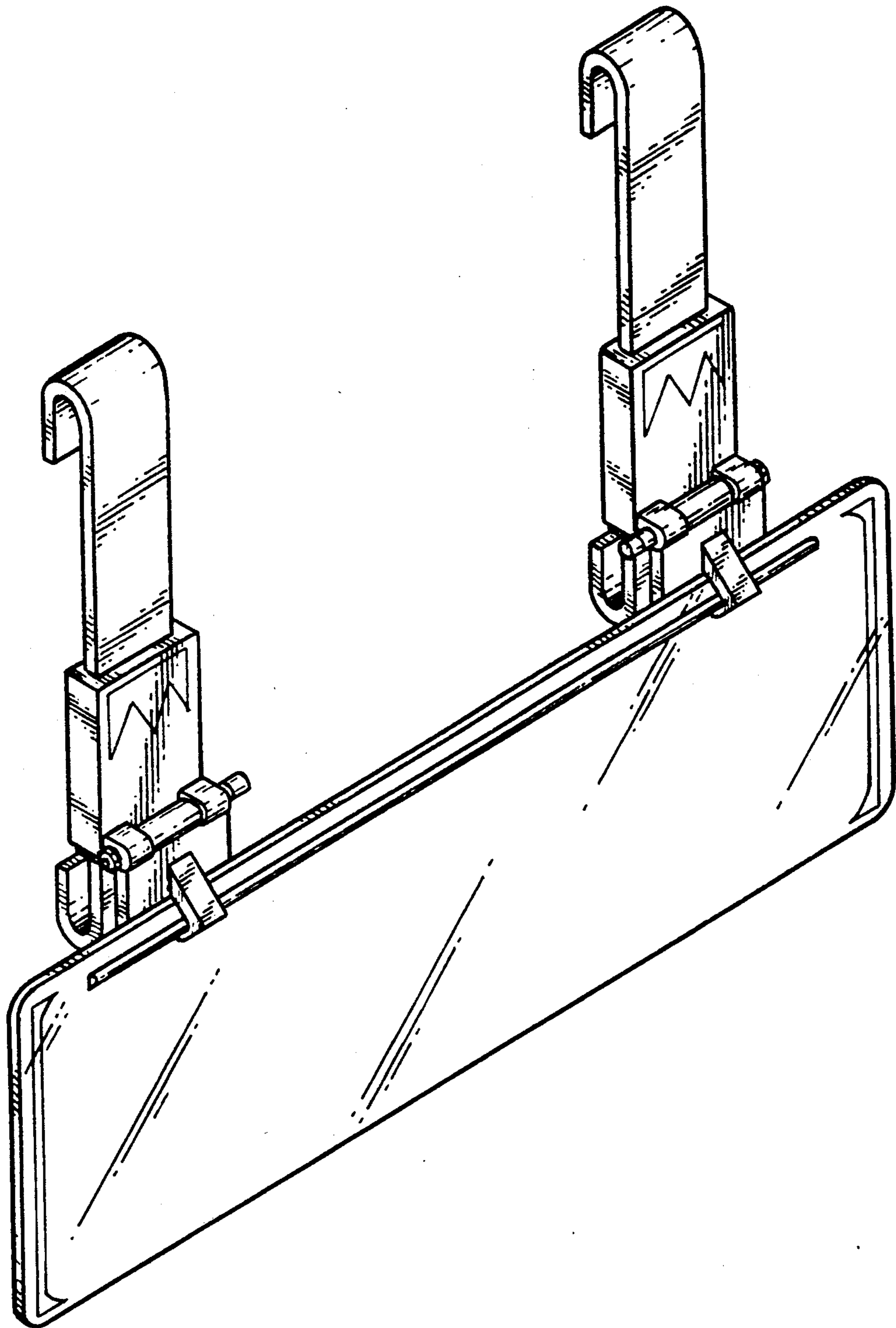


FIG. 1

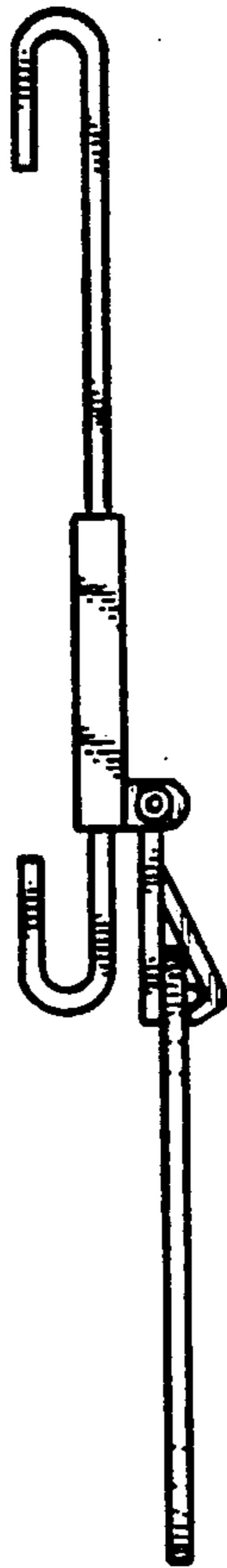


FIG. 2

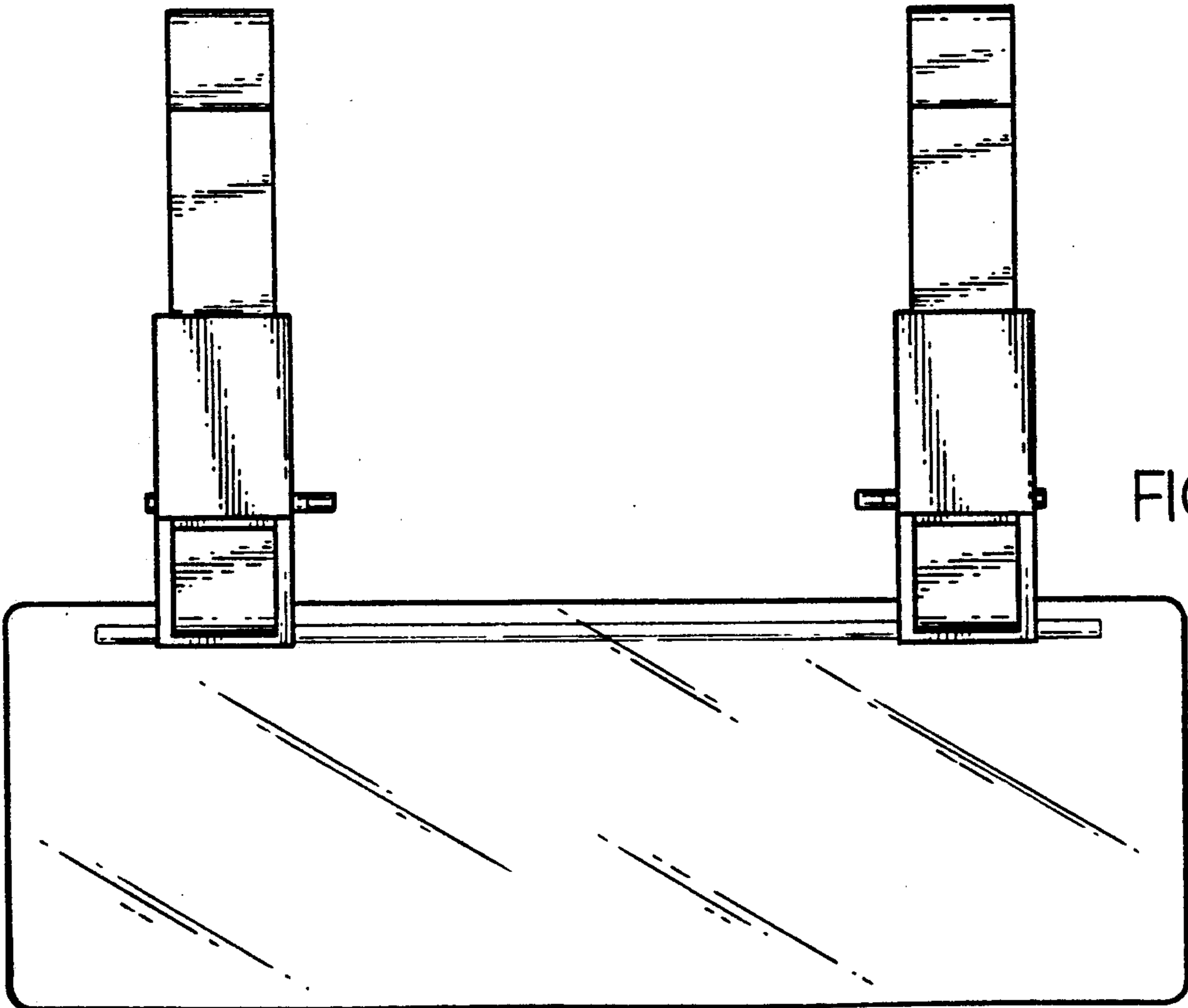


FIG. 3

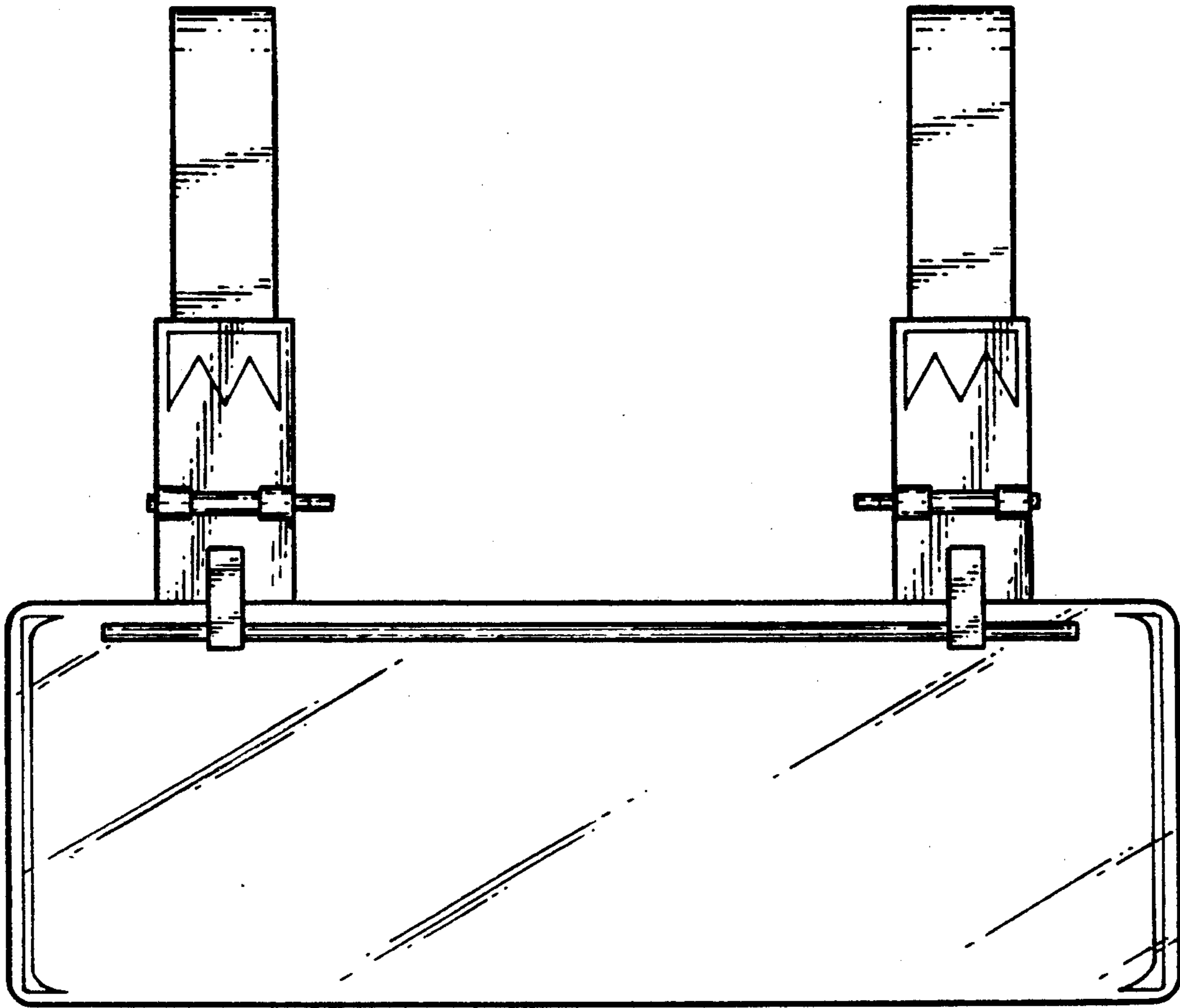


FIG. 4



FIG. 5



FIG. 6