



US00D339783S

# United States Patent [19]

[11] Patent Number: **Des. 339,783**

Delage et al.

[45] Date of Patent: **\*\* Sep. 28, 1993**

[54] **HANDLE BAR PACK FOR BICYCLE**

[75] Inventors: **Alain Delage, Montreal; Richard Lamoureux, l'Assomption, both of Canada**

[73] Assignee: **Plastiques Anchor LTEE, l'Assomption, Canada**

[\*\*] Term: **14 Years**

[21] Appl. No.: **850,775**

[22] Filed: **Mar. 13, 1992**

[30] **Foreign Application Priority Data**

Dec. 17, 1991 [CA] Canada ..... 17-12-91-7

[52] U.S. Cl. .... **D12/158**

[58] Field of Search ..... D12/158; 224/32 R, 32 A, 224/30 R, 30 A, 39; 74/551.8, 551.9

[56] **References Cited**

**U.S. PATENT DOCUMENTS**

D. 254,062 1/1980 Anton ..... D12/158

4,066,196	1/1978	Jackson et al. ....	74/551.8
4,260,086	4/1981	Hine, Jr. et al. ....	74/551.8
4,315,583	2/1982	Hine, Jr. ....	224/30 A
4,345,703	8/1982	Allen ....	224/39
4,638,933	1/1987	Boufford ....	224/30 A
5,024,359	6/1991	Thomas ....	224/32 R

*Primary Examiner*—Wallace R. Burke  
*Assistant Examiner*—Melody Brown  
*Attorney, Agent, or Firm*—Robic

[57] **CLAIM**

The ornamental design for a handle bar pack for bicycle, as shown and described.

**DESCRIPTION**

FIG. 1 is a front perspective view of a handle bar pack for bicycle, showing our new design; FIG. 2 is a front elevational view thereof; FIG. 3 is a rear elevational view thereof; FIG. 4 is a side elevational view thereof, the opposite side being a mirror image of that shown; FIG. 5 is a top plan view thereof; and, FIG. 6 is a bottom plan view thereof.

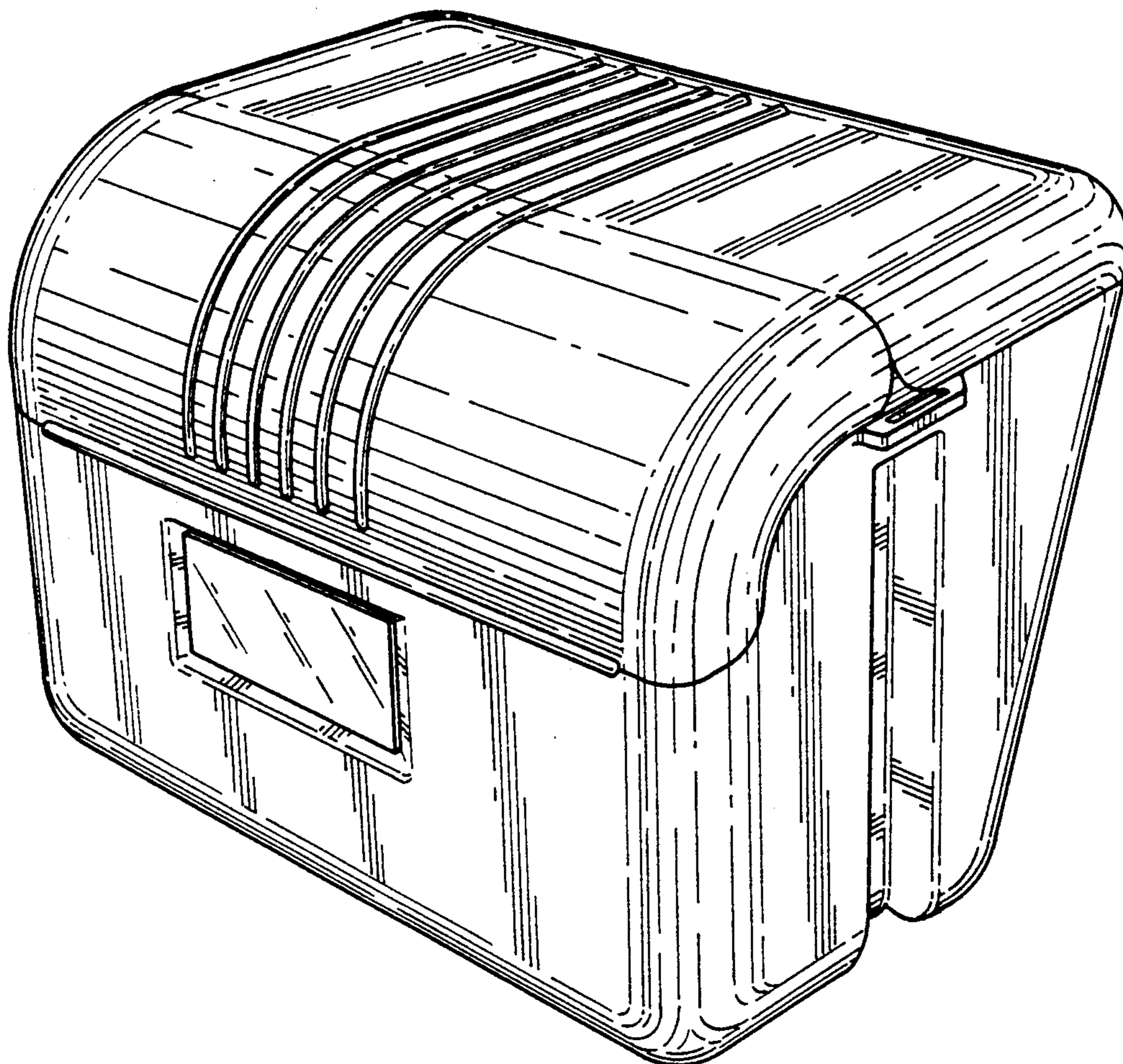


FIG. 1

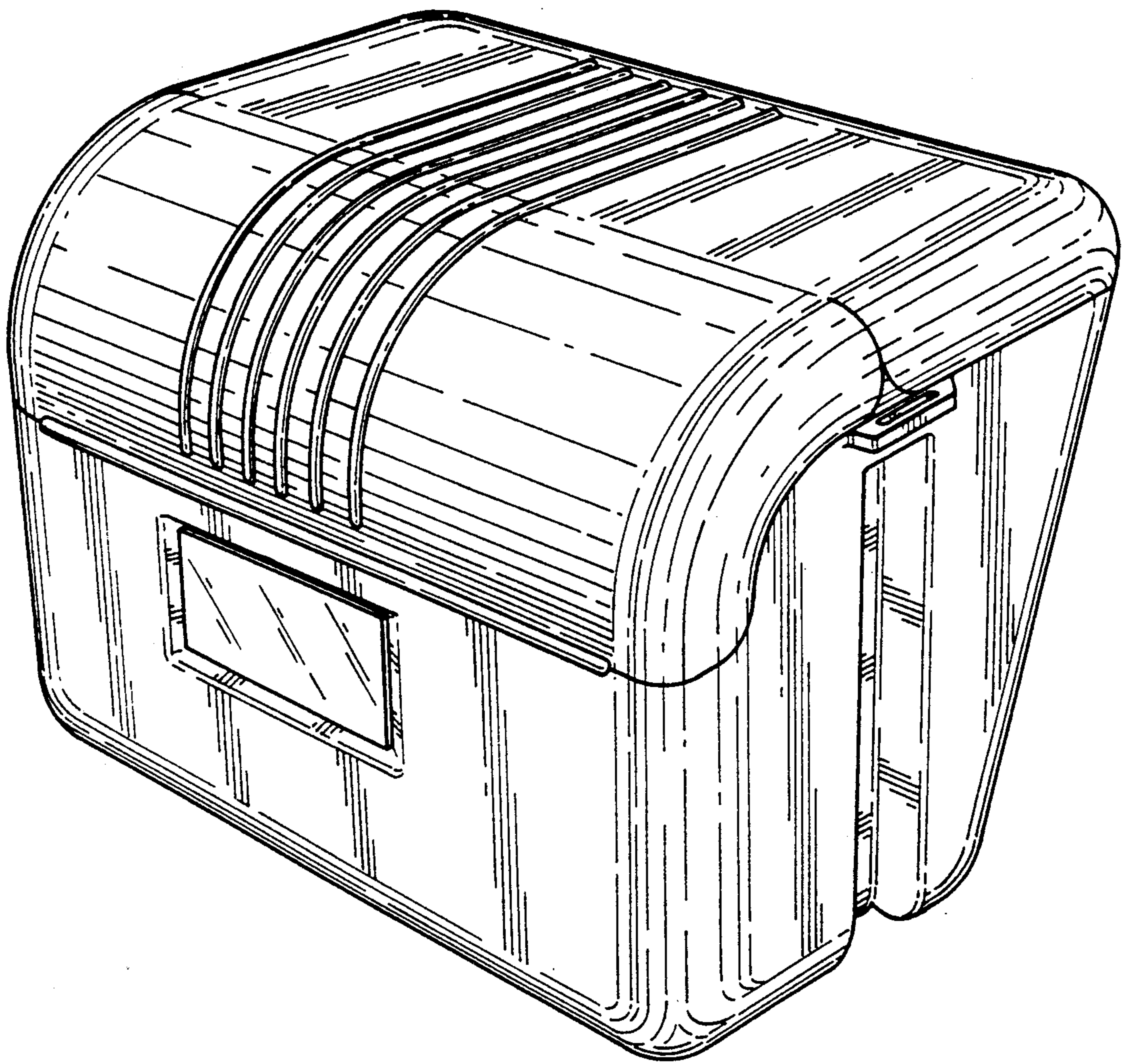


FIG. 2

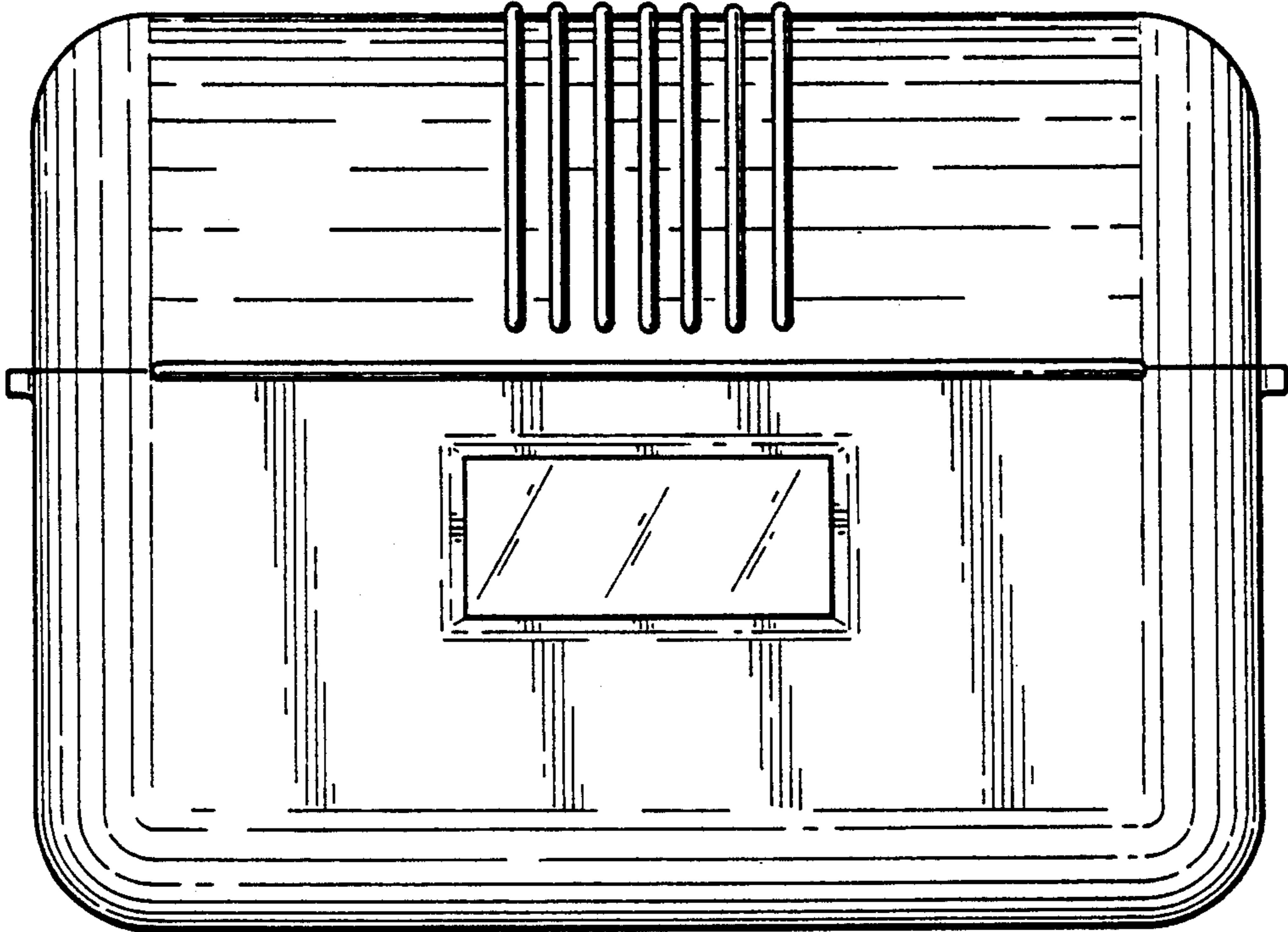


FIG. 3

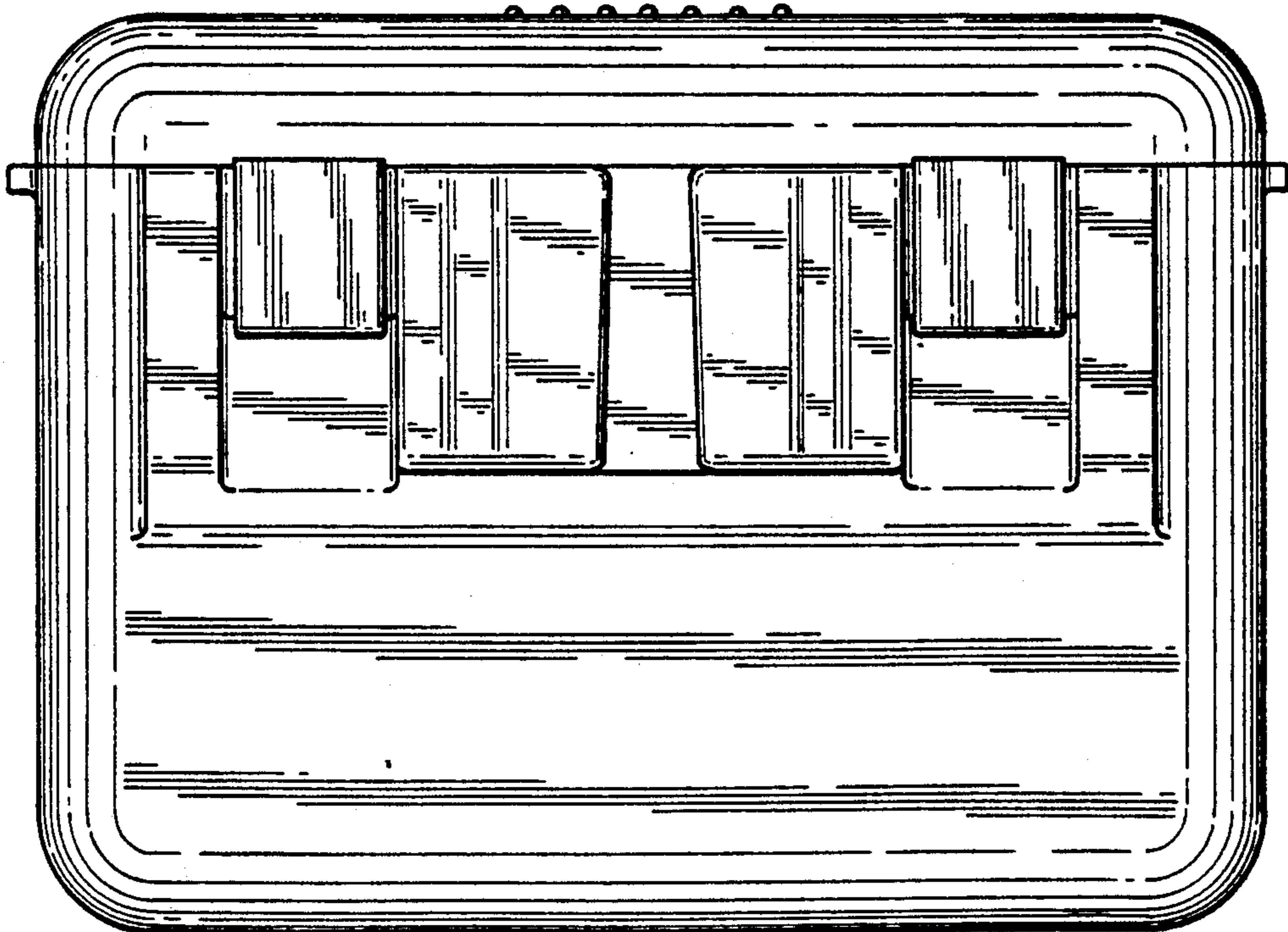


FIG. 4

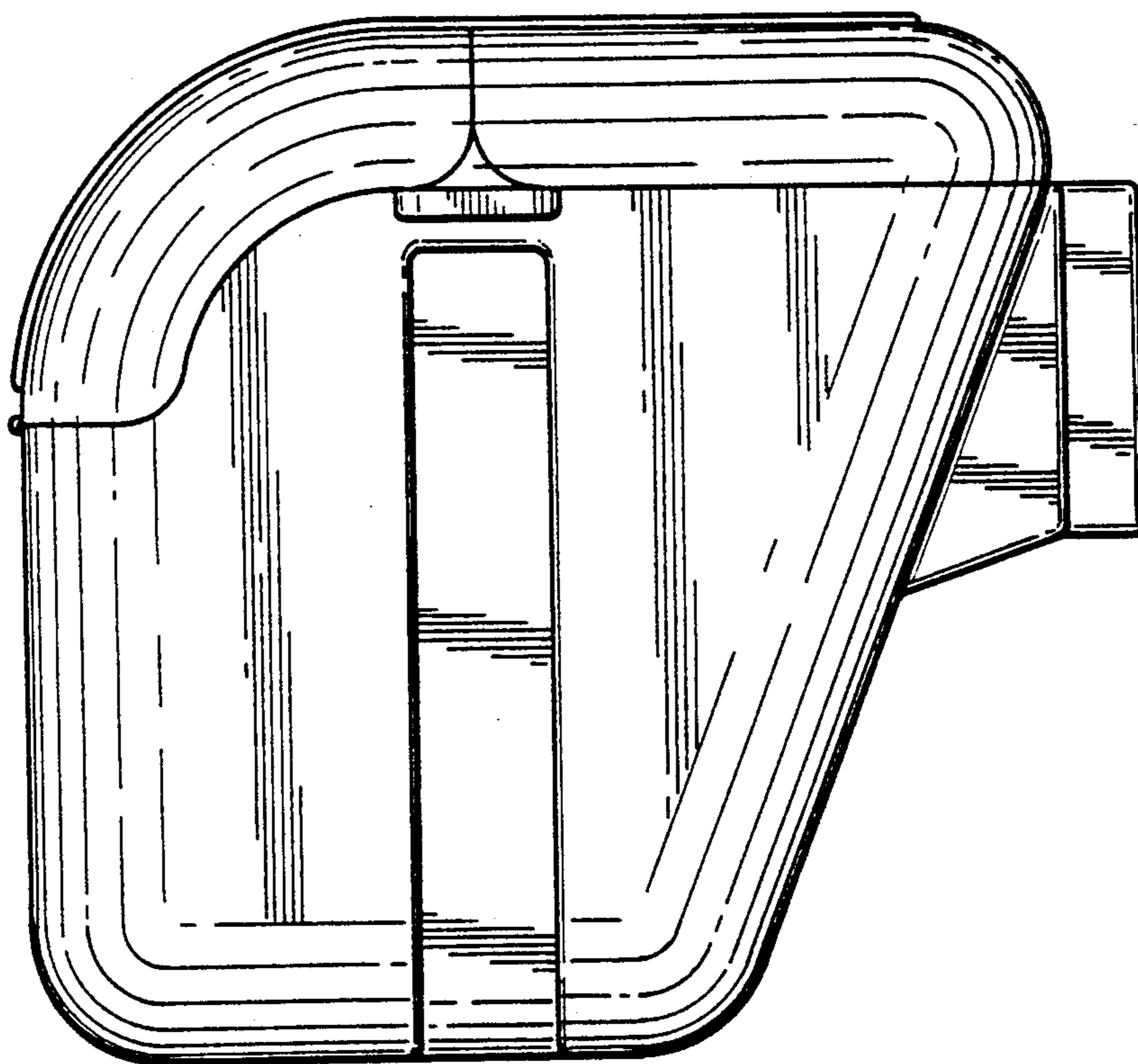


FIG. 5

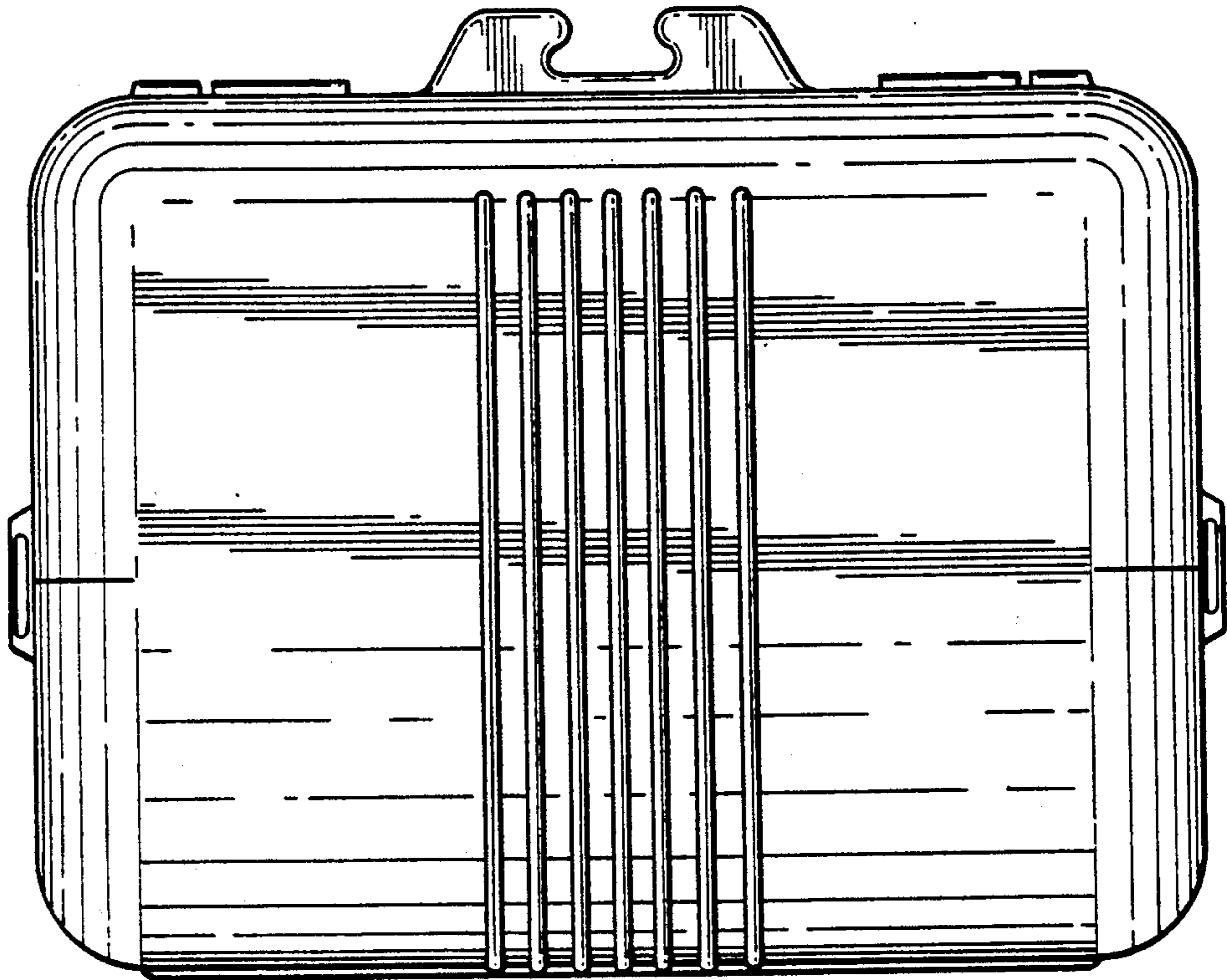


FIG. 6

