



US00D339782S

United States Patent [19]

[11] Patent Number: **Des. 339,782**

Yoder

[45] Date of Patent: **** Sep. 28, 1993**

[54] **PICK-UP BED COVER MOUNTING CLAMP**

[75] Inventor: **Ronald L. Yoder, Topeka, Ind.**

[73] Assignee: **Universal Consolidated Methods, Inc., Topeka, Ind.**

[**] Term: **14 Years**

[21] Appl. No.: **2,511**

[22] Filed: **Dec. 14, 1992**

[52] U.S. Cl. **D12/156; D8/394; D8/72**

[58] Field of Search **D12/156, 155; D8/394, D8/72, 73; 296/10, 26, 99.1, 100, 102; 269/249; 403/290, 373; 24/514, 525, 569**

[56] **References Cited**

U.S. PATENT DOCUMENTS

D. 328,845	8/1992	Yoder	D8/72
D. 329,007	9/1992	Yoder	D8/73
4,846,431	7/1989	Pflieger	24/514
4,901,963	2/1990	Yoder	24/514
5,131,780	7/1992	Love	403/290
5,152,574	10/1992	Tucker	296/100

Primary Examiner—James M. Gandy
Attorney, Agent, or Firm—Roger M. Rickert

[57] **CLAIM**

The ornamental design for a pick-up bed cover mounting clamp, as shown and described.

DESCRIPTION

FIG. 1 is a perspective view showing the top, rear end

and side of a pick-up bed cover mounting clamp illustrating my new design;

FIG. 2 is a rear end elevational view of the pick-up bed cover mounting clamp of FIG. 1;

FIG. 3 is a front end elevational view thereof;

FIG. 4 is a top plan view thereof;

FIG. 5 is a bottom plan view thereof;

FIG. 6 is a side elevational view of the side shown in FIG. 1;

FIG. 7 is a side elevational view showing the side opposite that shown in FIG. 6;

FIG. 8 is a perspective view showing the top, rear end and side of a pick-up bed cover mounting clamp illustrating a second embodiment on my new design;

FIG. 9 is a rear end elevational view of the pick-up bed cover mounting clamp of FIG. 8;

FIG. 10 is a front end elevational view thereof;

FIG. 11 is a side elevational view of the side shown in FIG. 8;

FIG. 12 is a side elevational view showing the side opposite that shown in FIG. 11;

FIG. 13 is a top plan view thereof;

FIG. 14 is a bottom plan view thereof;

FIG. 15 is a perspective view showing the top, rear end and side of a pick-up bed cover mounting clamp illustrating a third embodiment on my new design;

FIG. 16 is a rear end elevational view of the pick-up bed cover mounting clamp of FIG. 15;

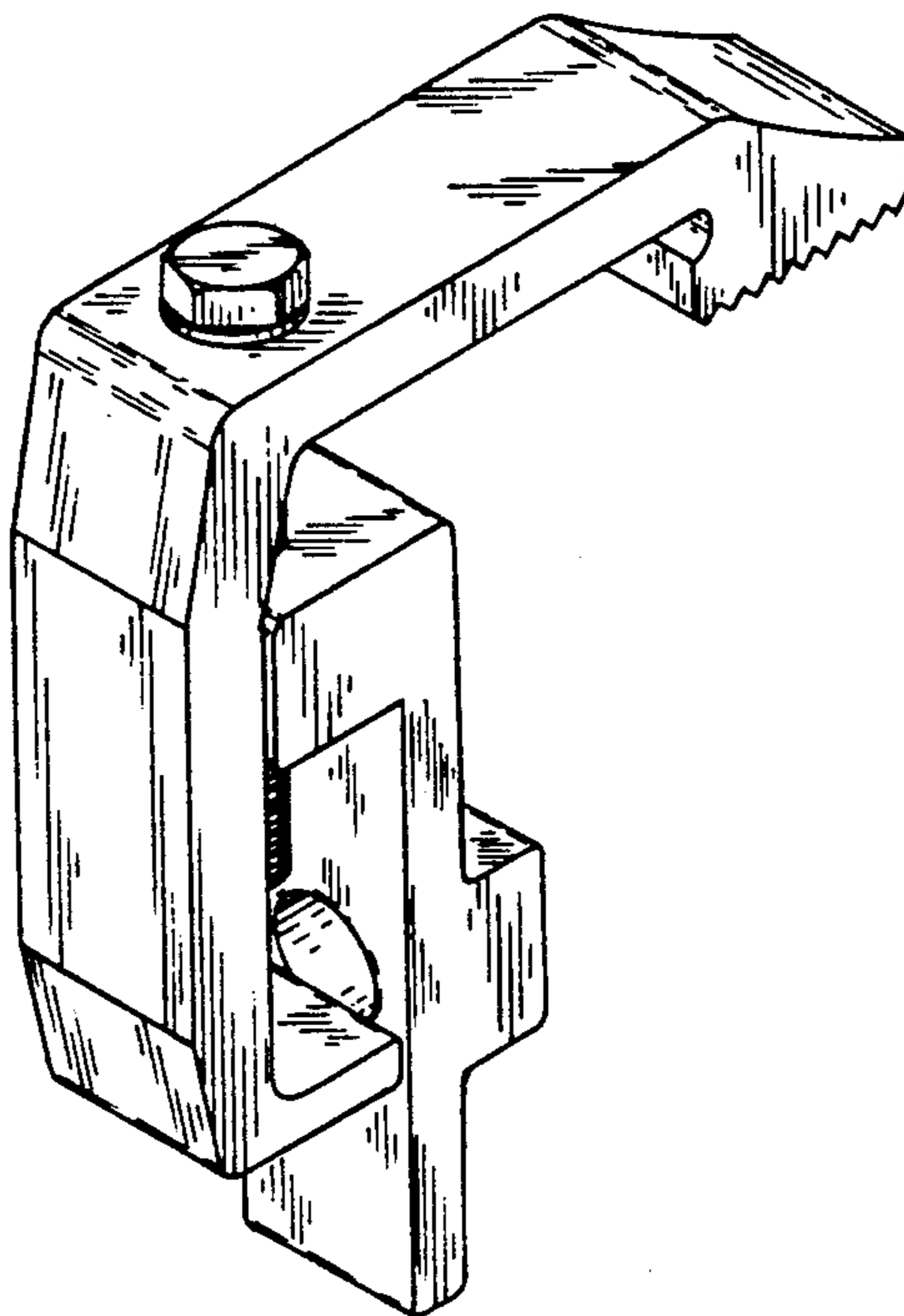
FIG. 17 is a front end elevational view thereof;

FIG. 18 is a side elevational view of the side shown in FIG. 15;

FIG. 19 is a side elevational view showing the side opposite that shown in FIG. 18;

FIG. 20 is a bottom plan view thereof; and,

FIG. 21 is a top plan view thereof.



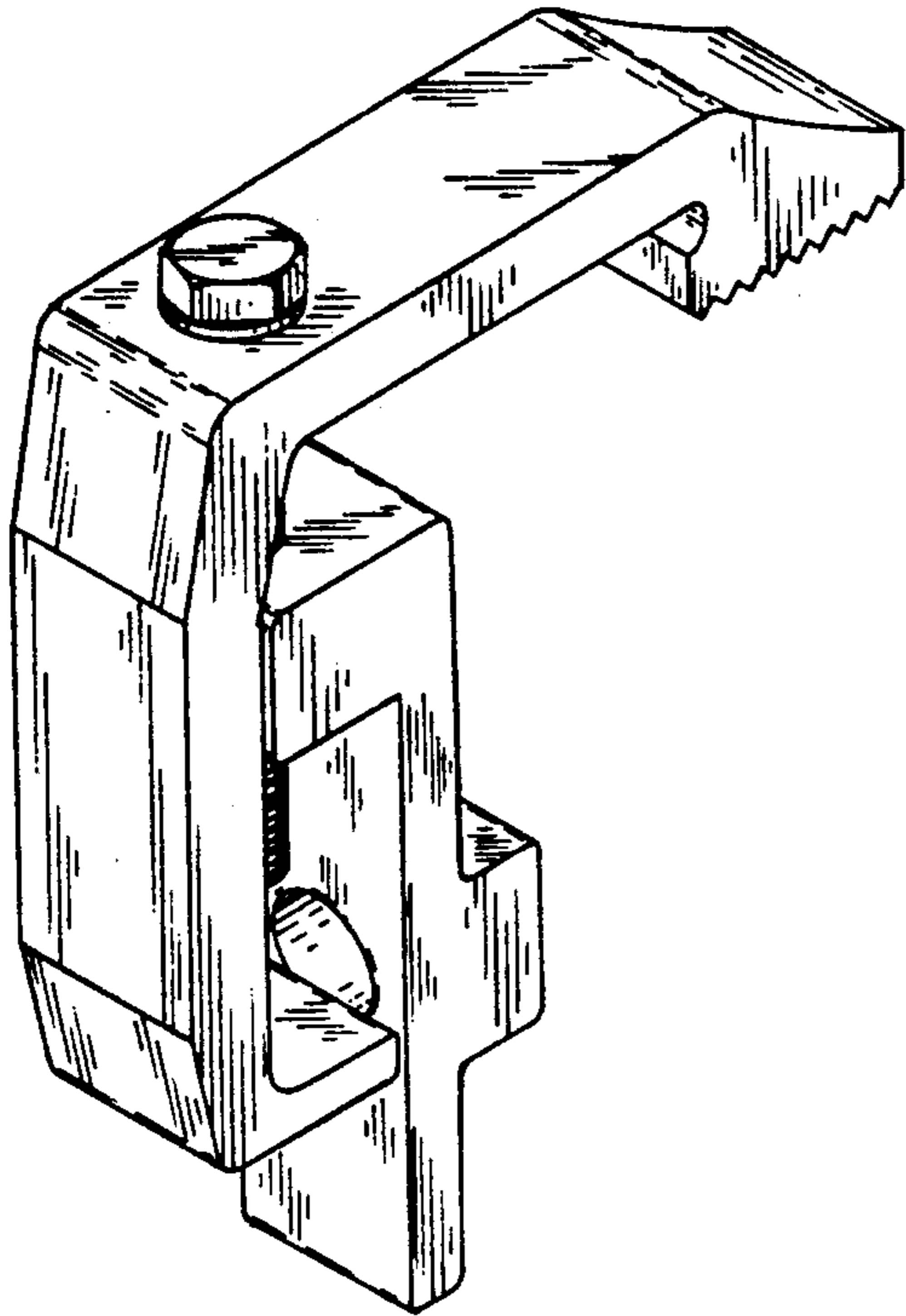


FIG. 1

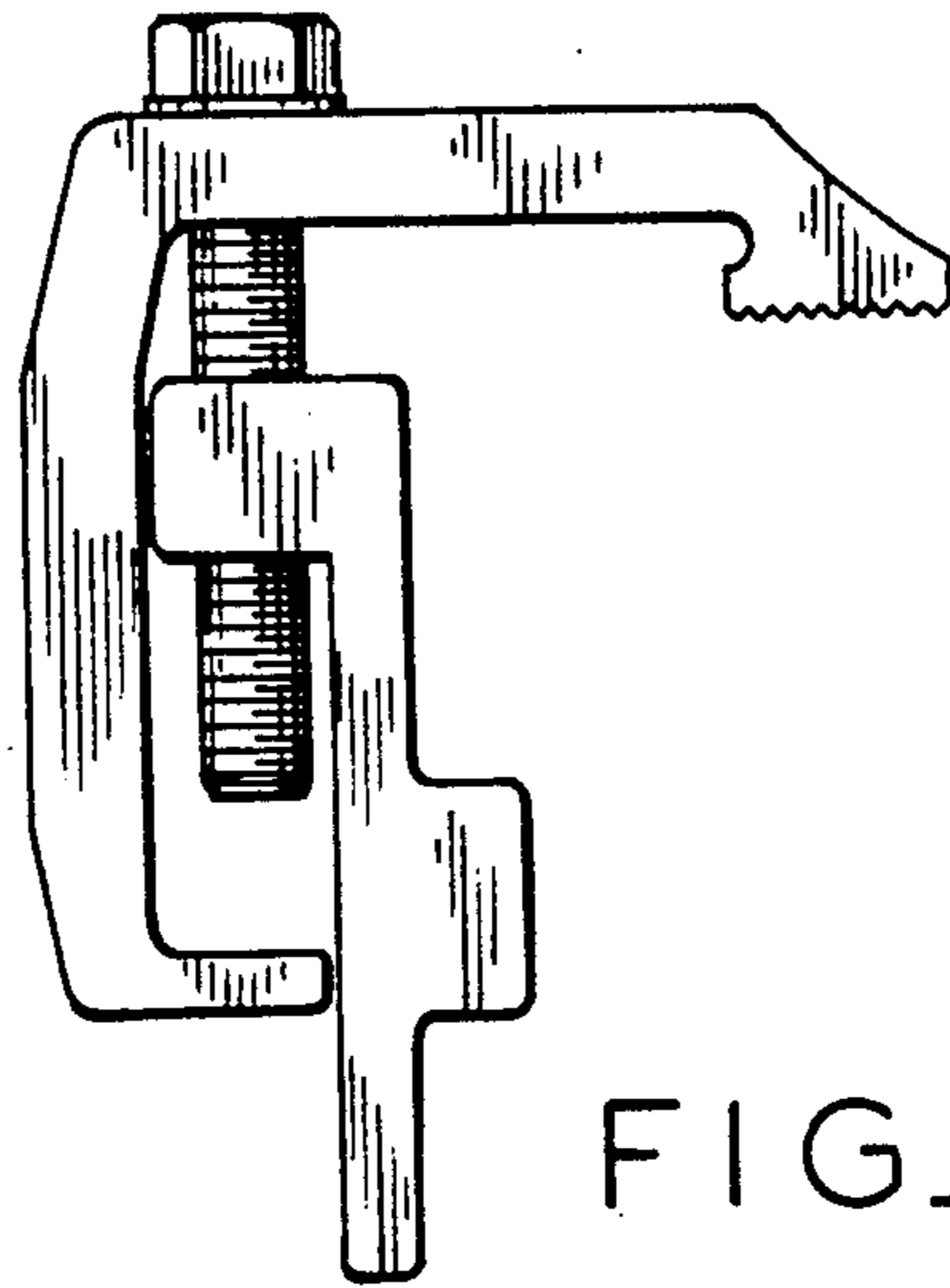


FIG. 2

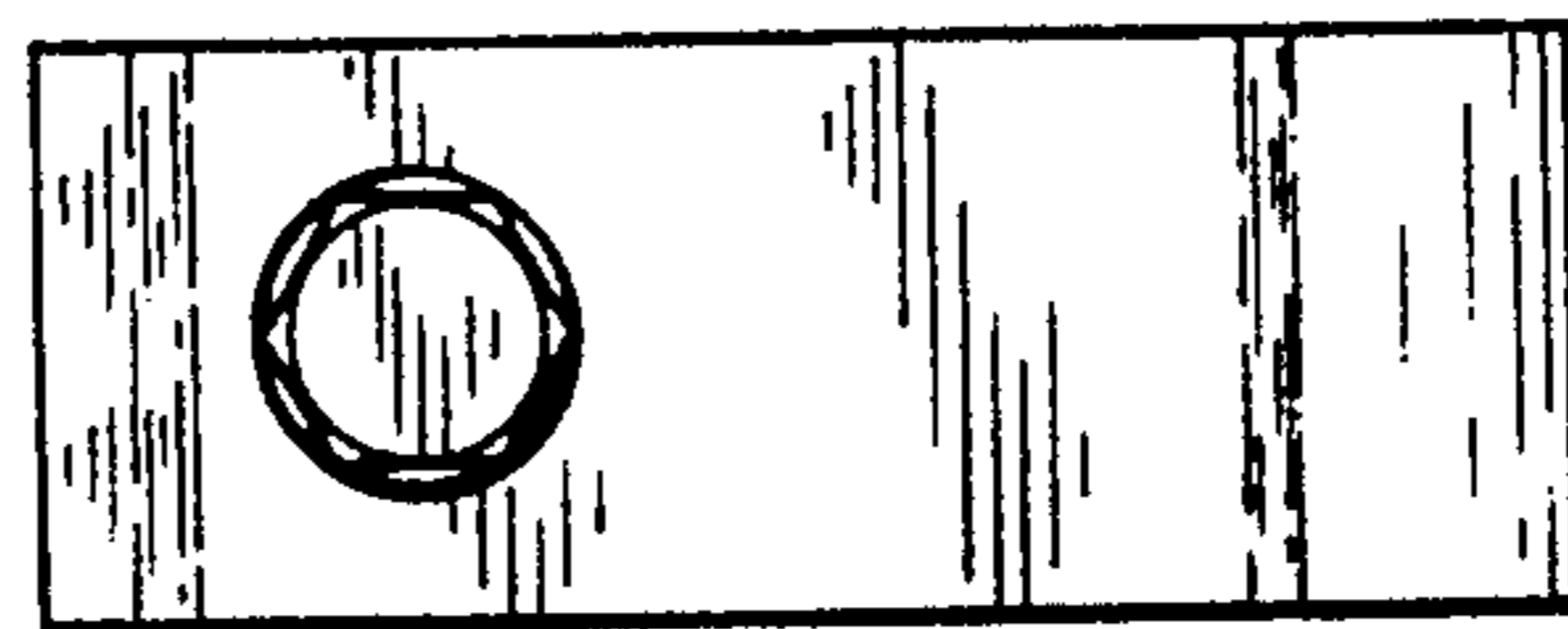


FIG. 4



FIG. 5

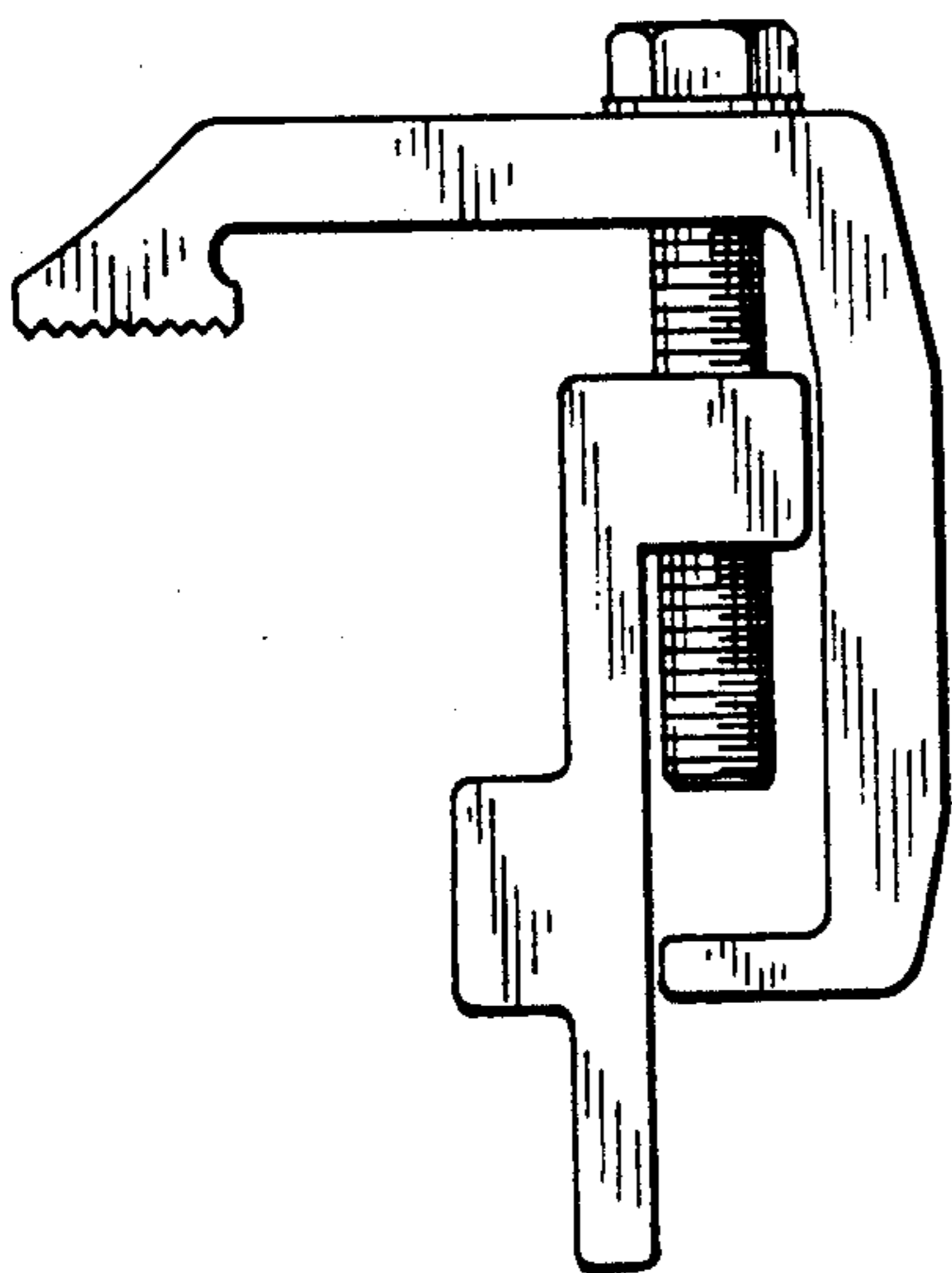


FIG. 3

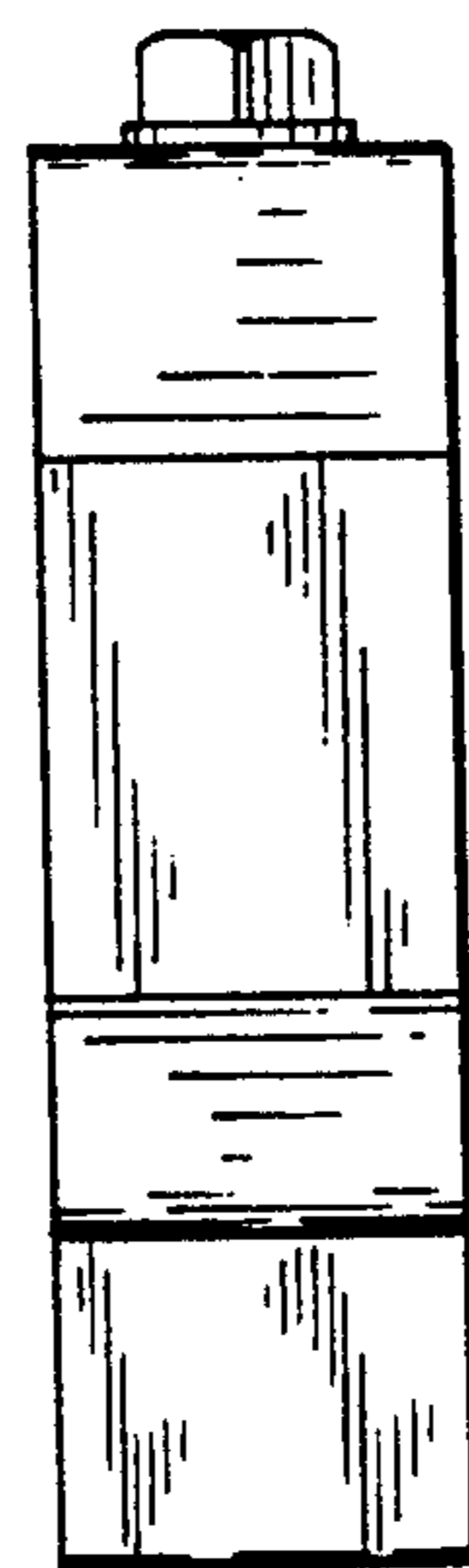


FIG. 6

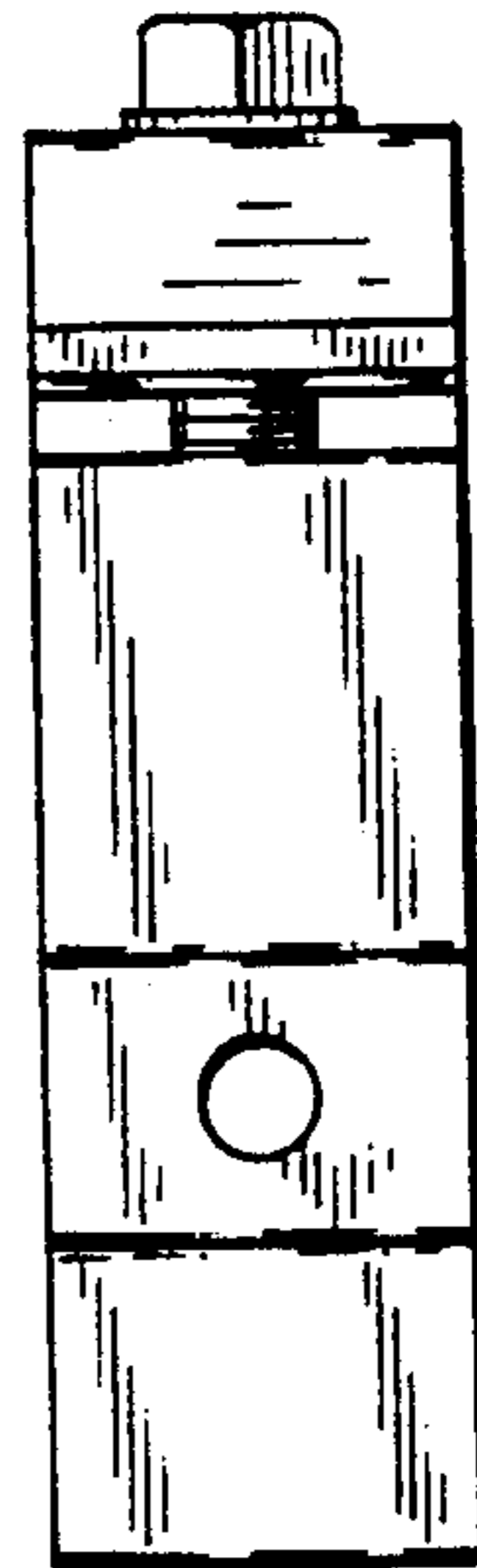


FIG. 7

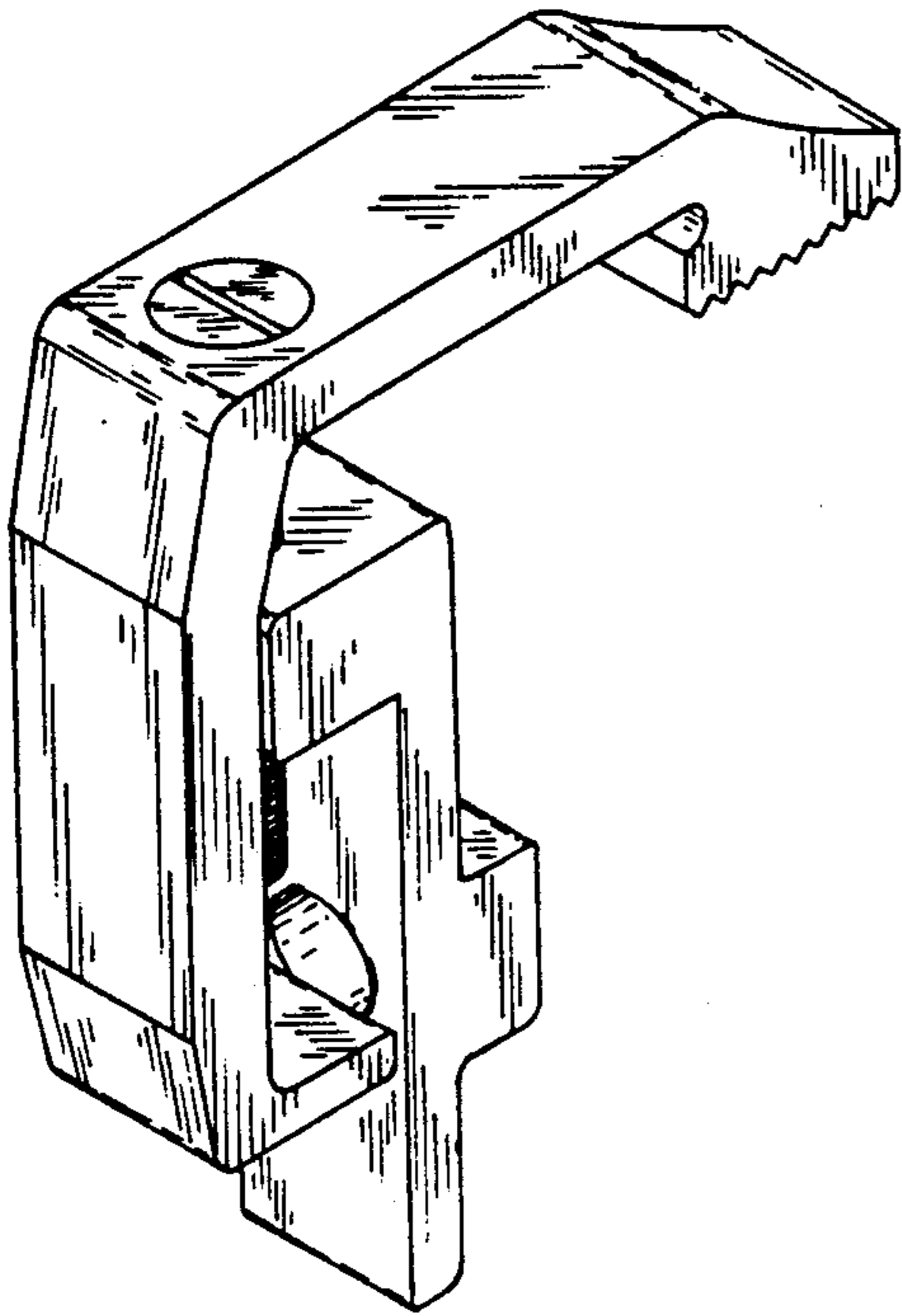


FIG. 8

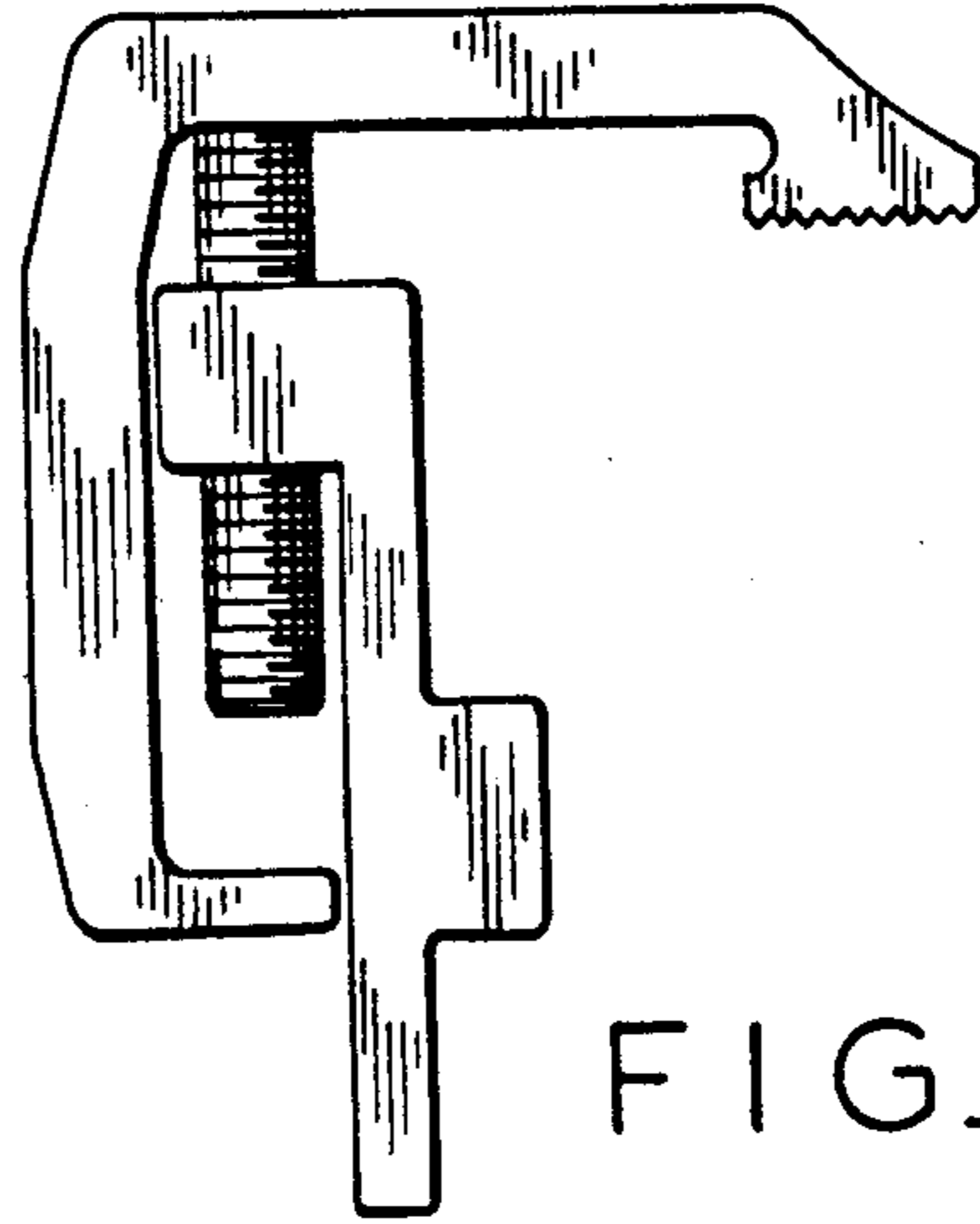


FIG. 9

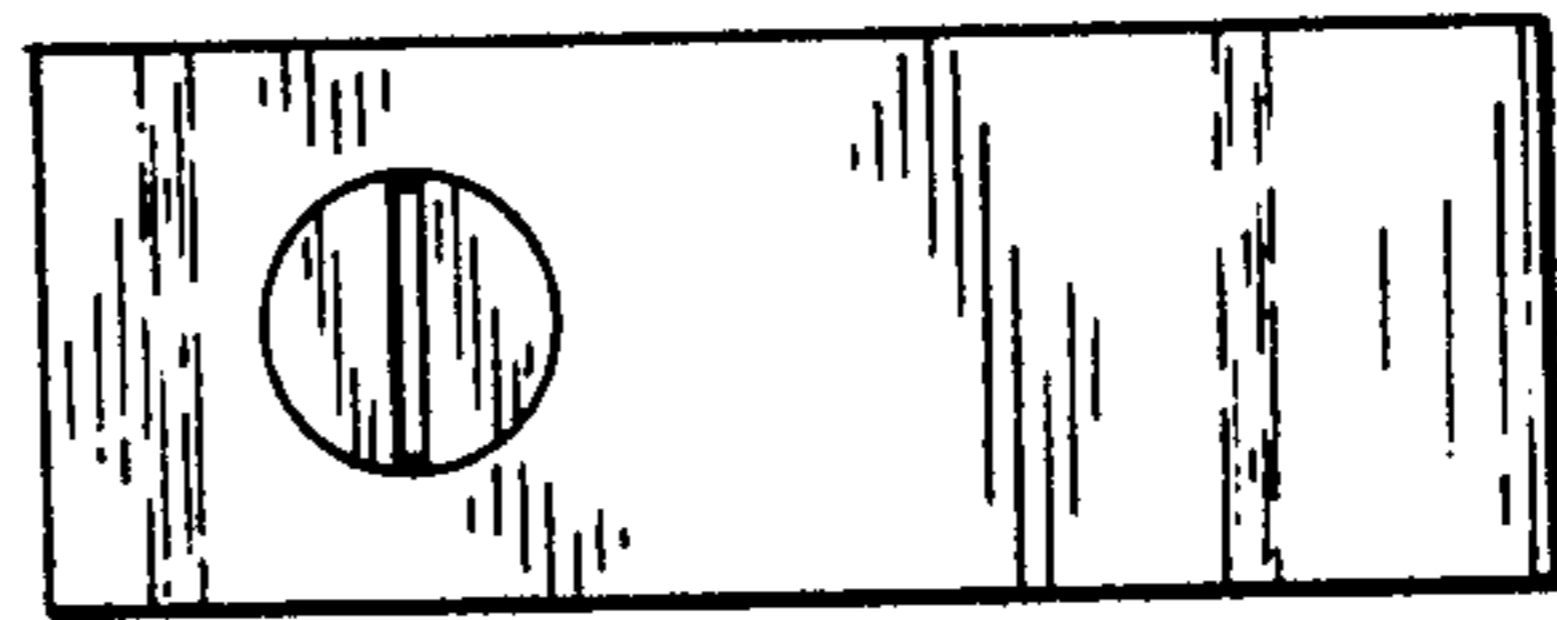


FIG. 13



FIG. 14

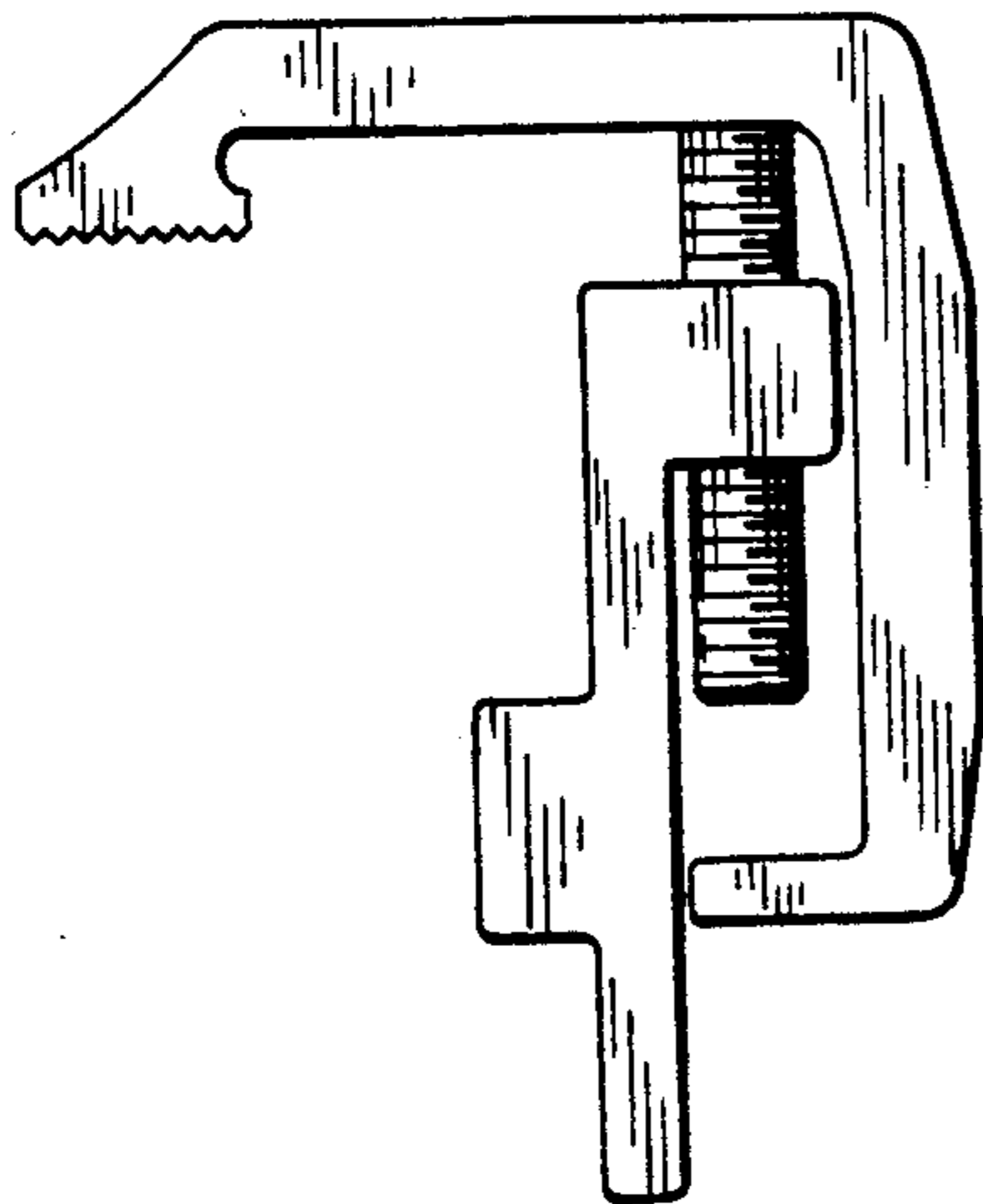


FIG. 10

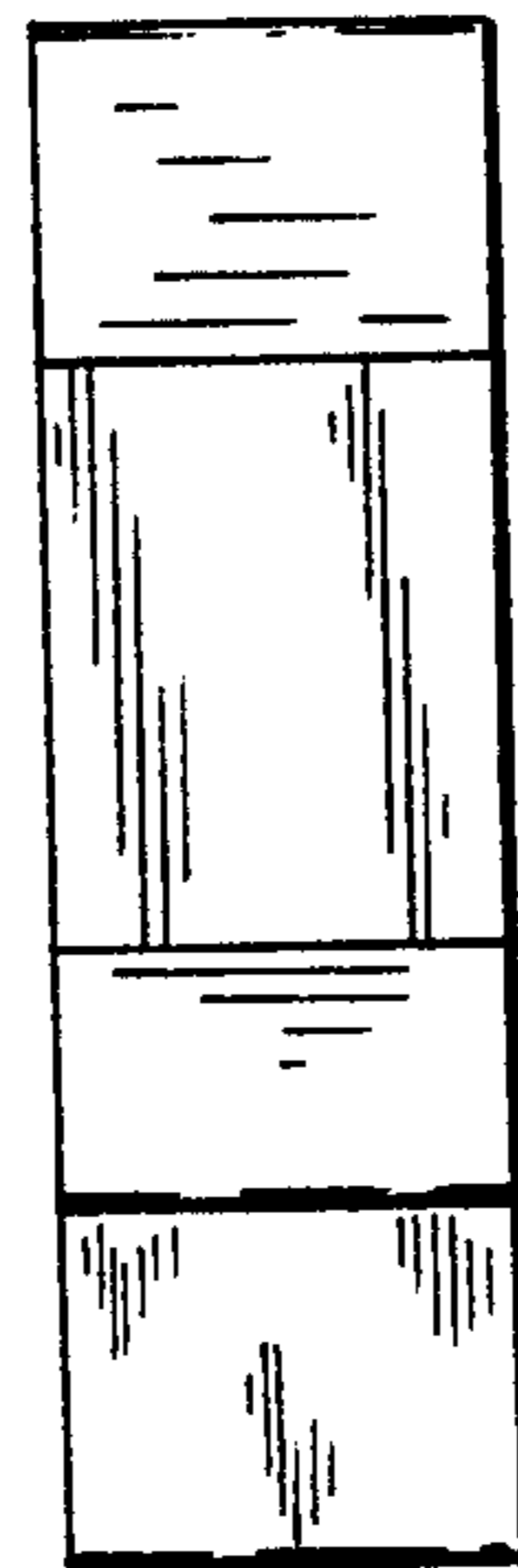


FIG. 11

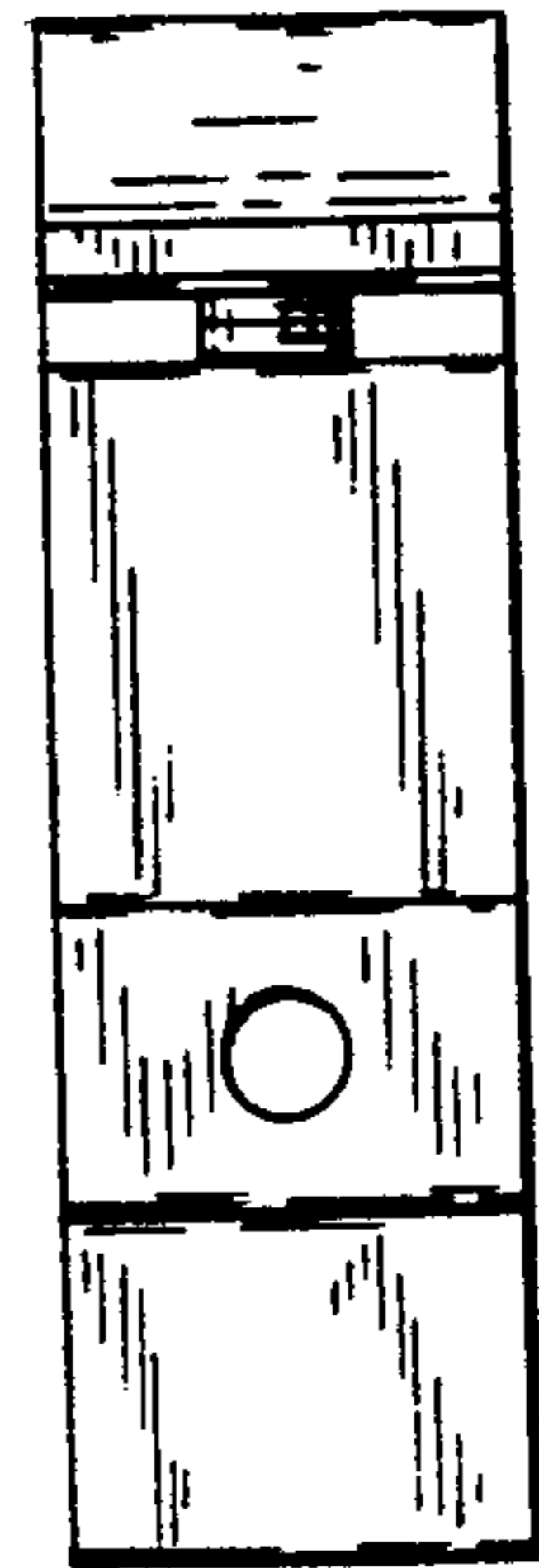


FIG. 12

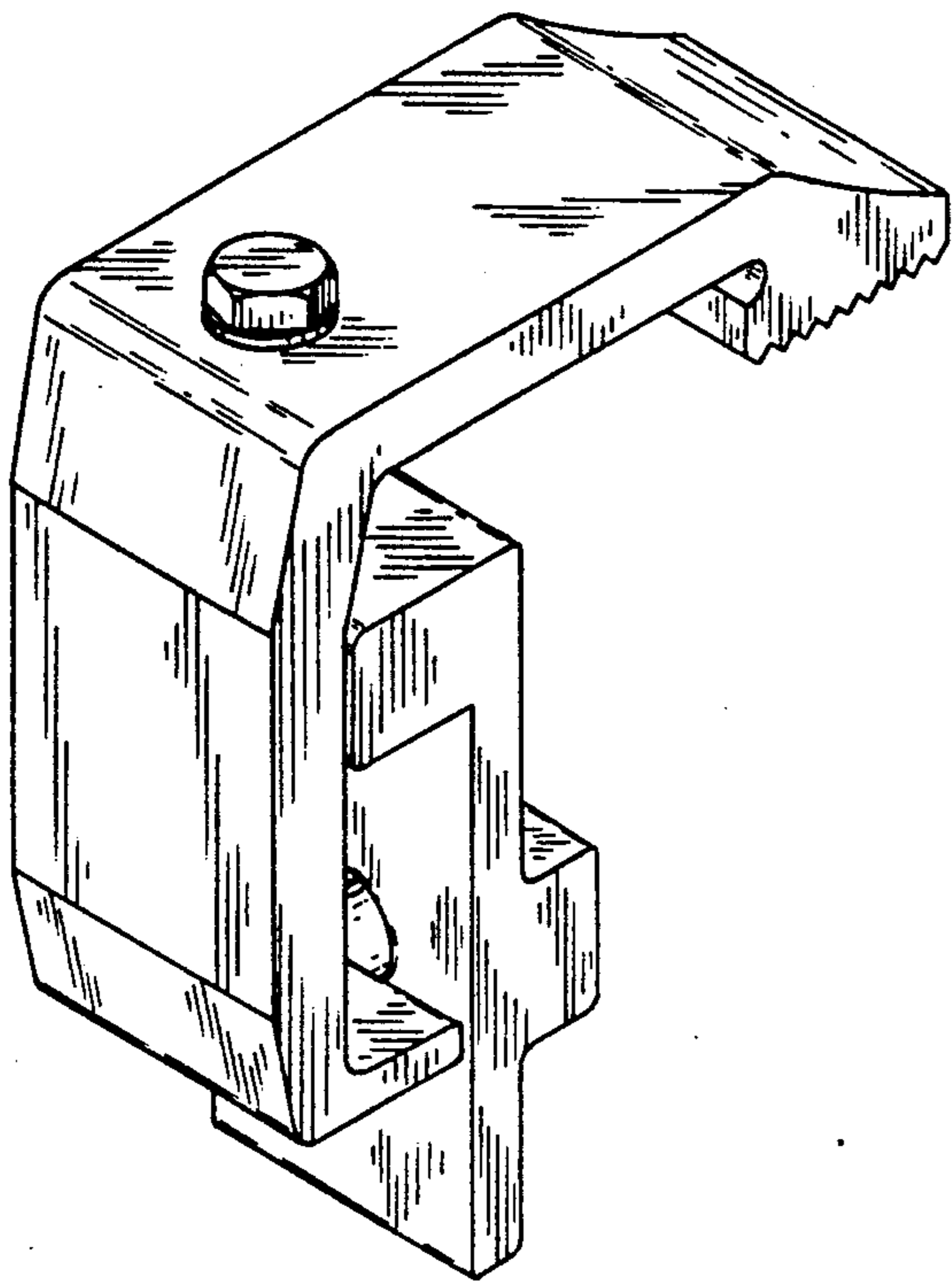


FIG. 15

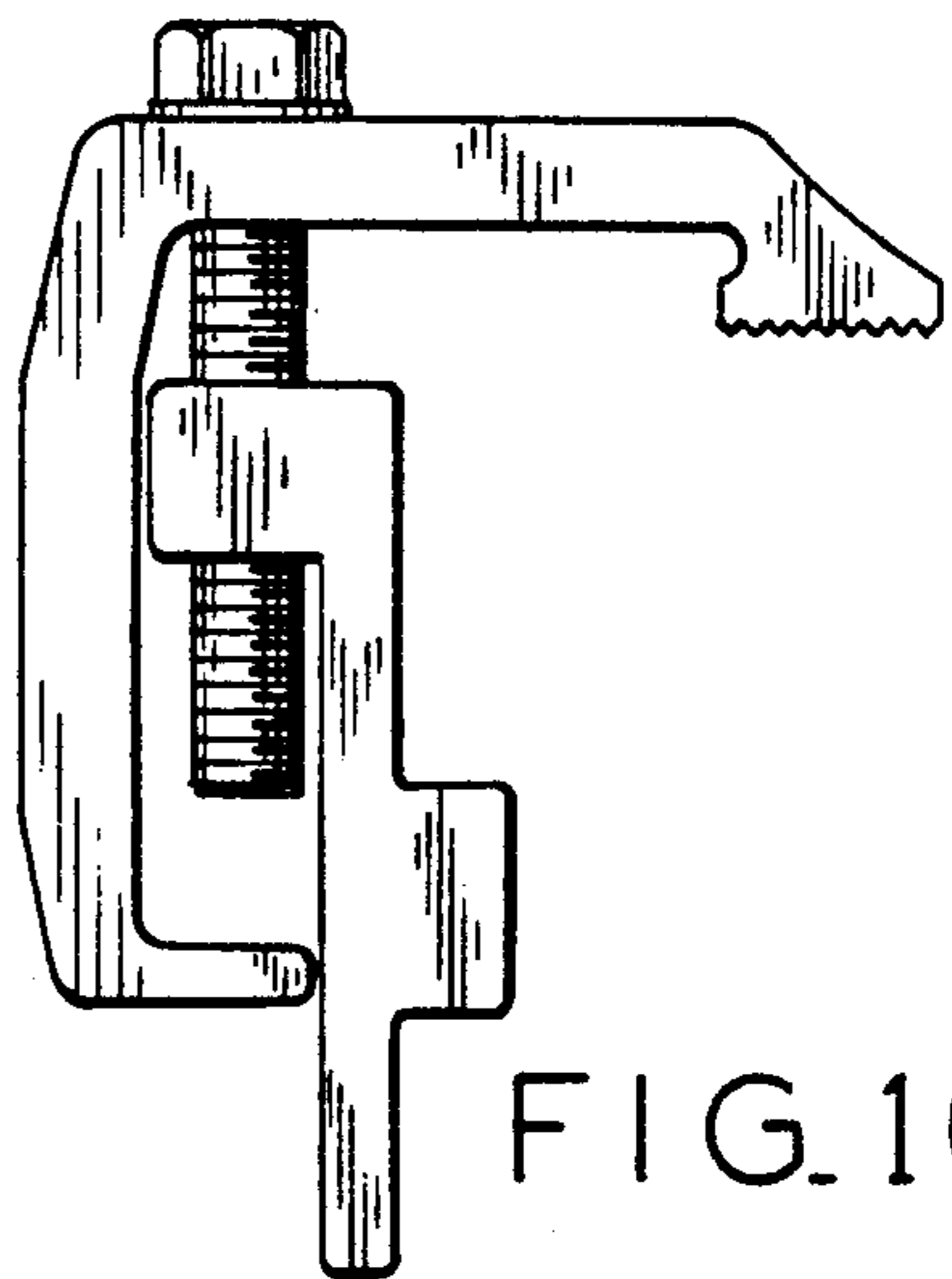


FIG. 16

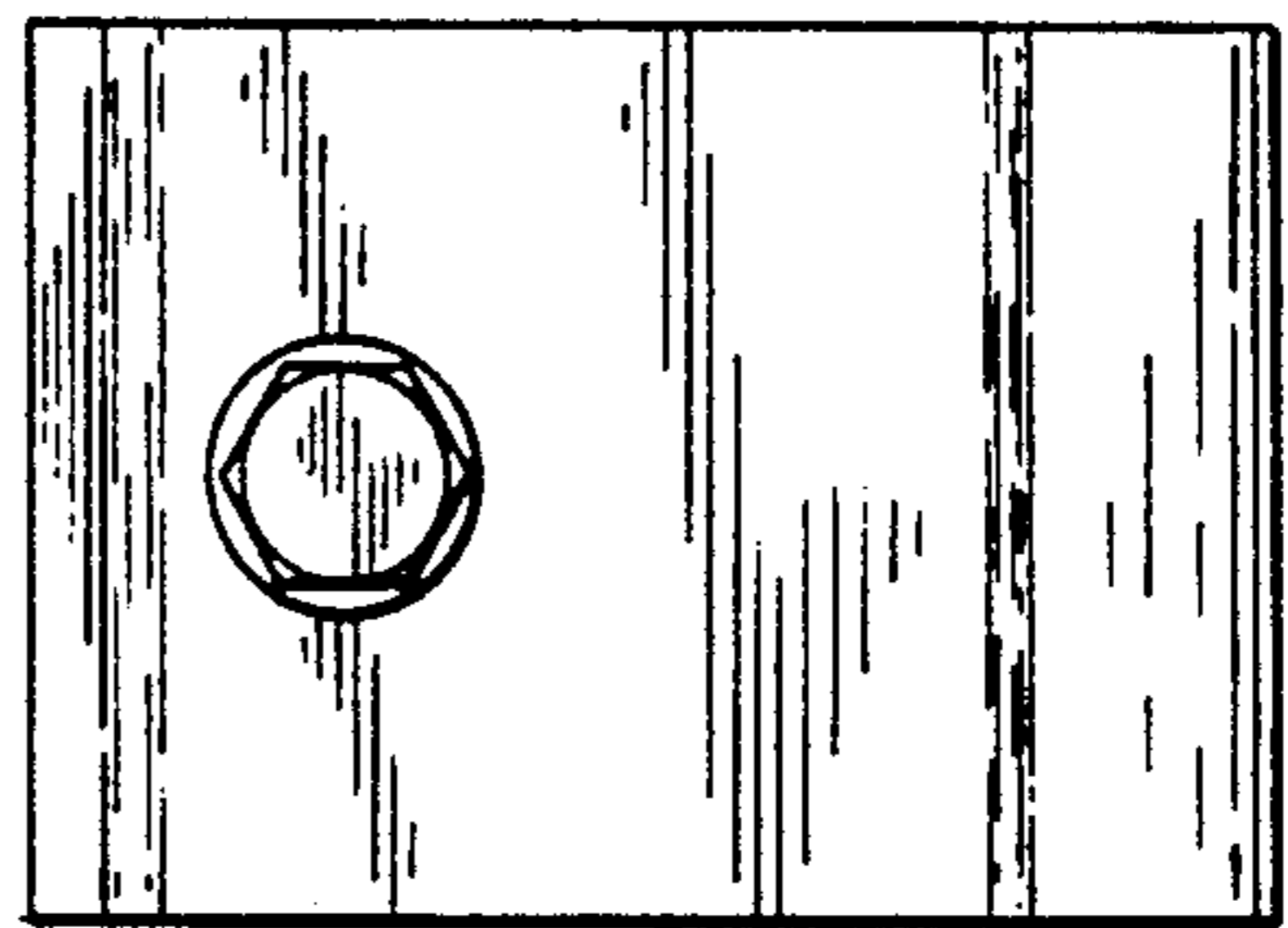


FIG. 21

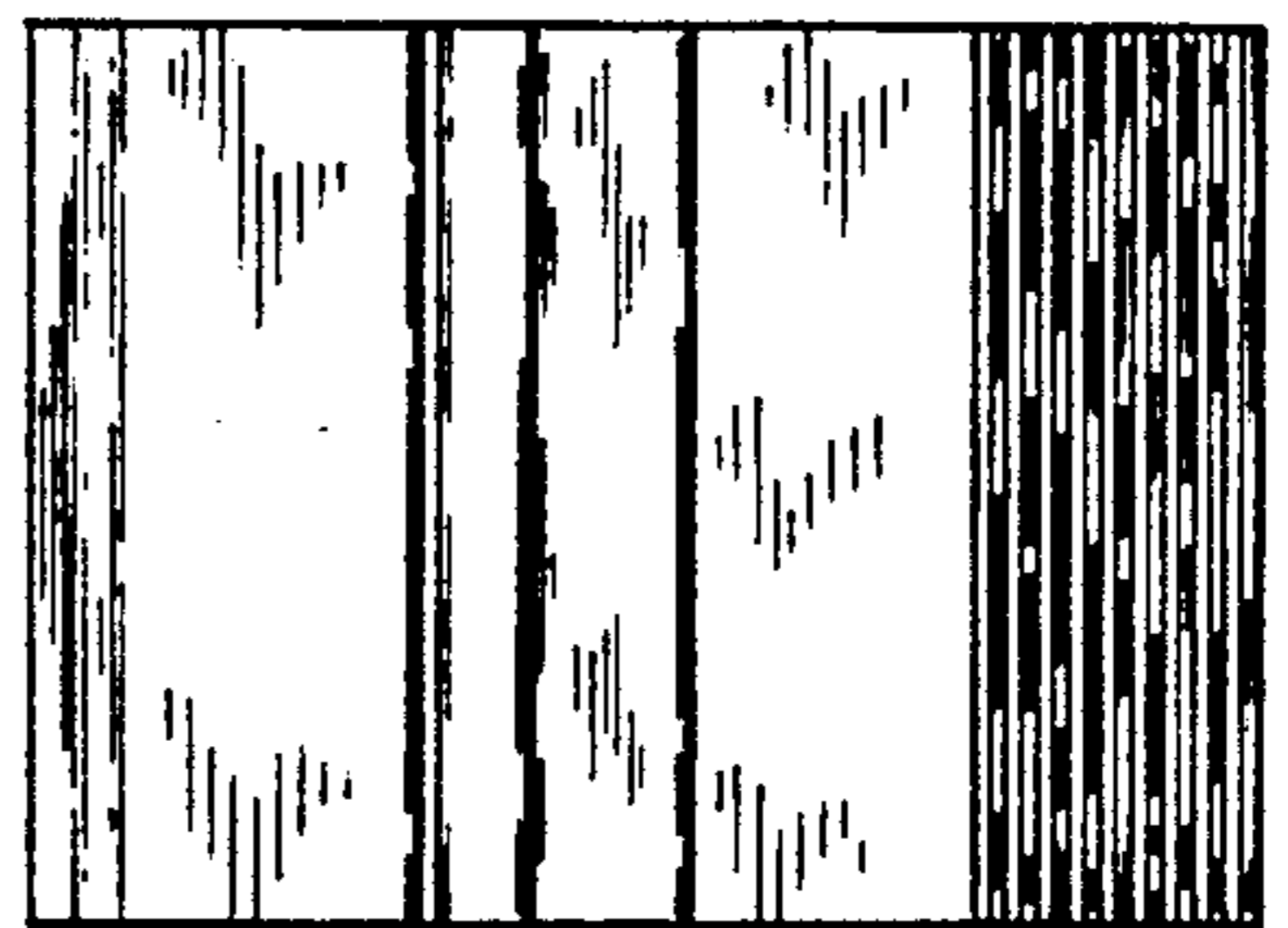


FIG. 20

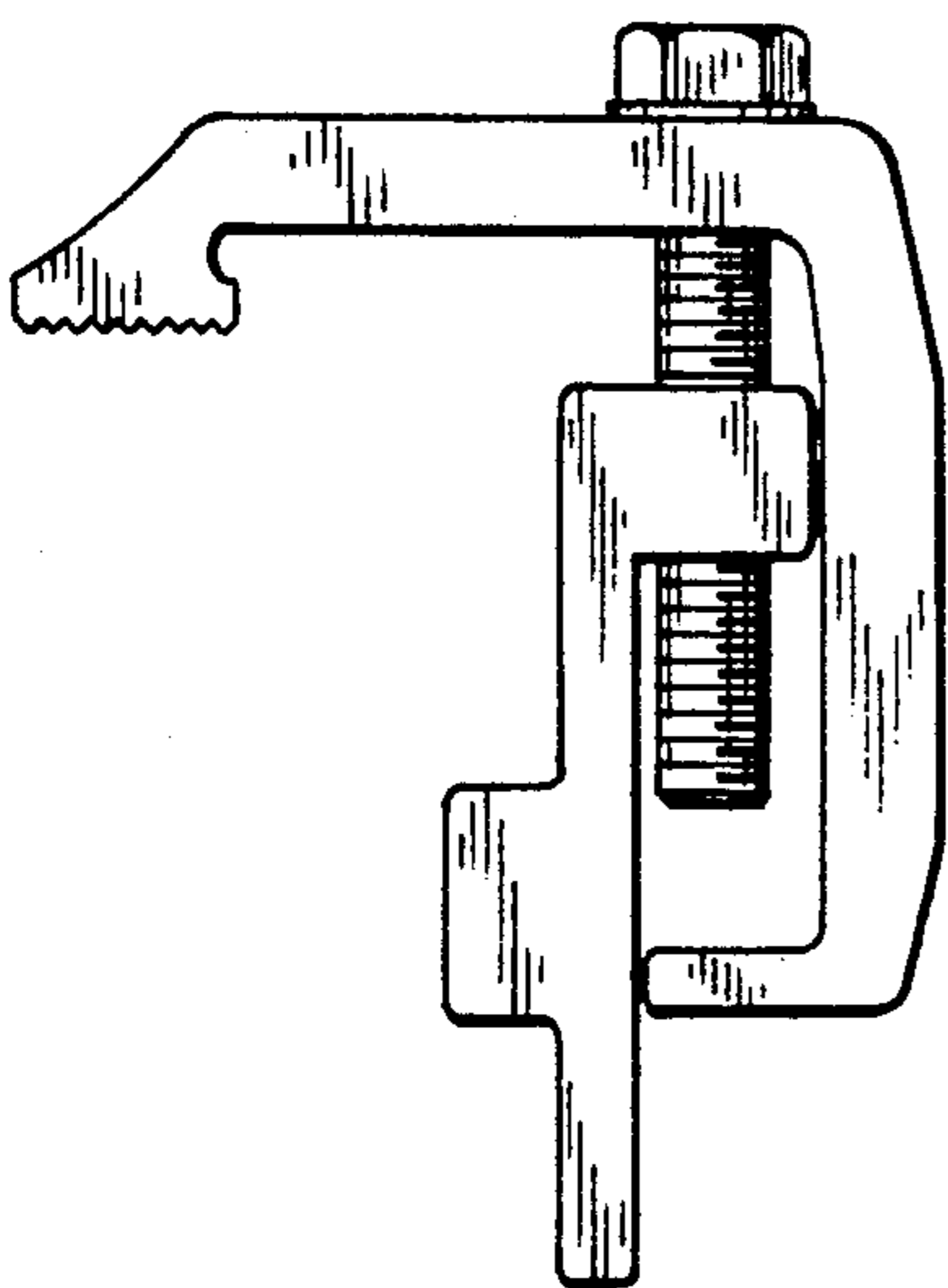


FIG. 17

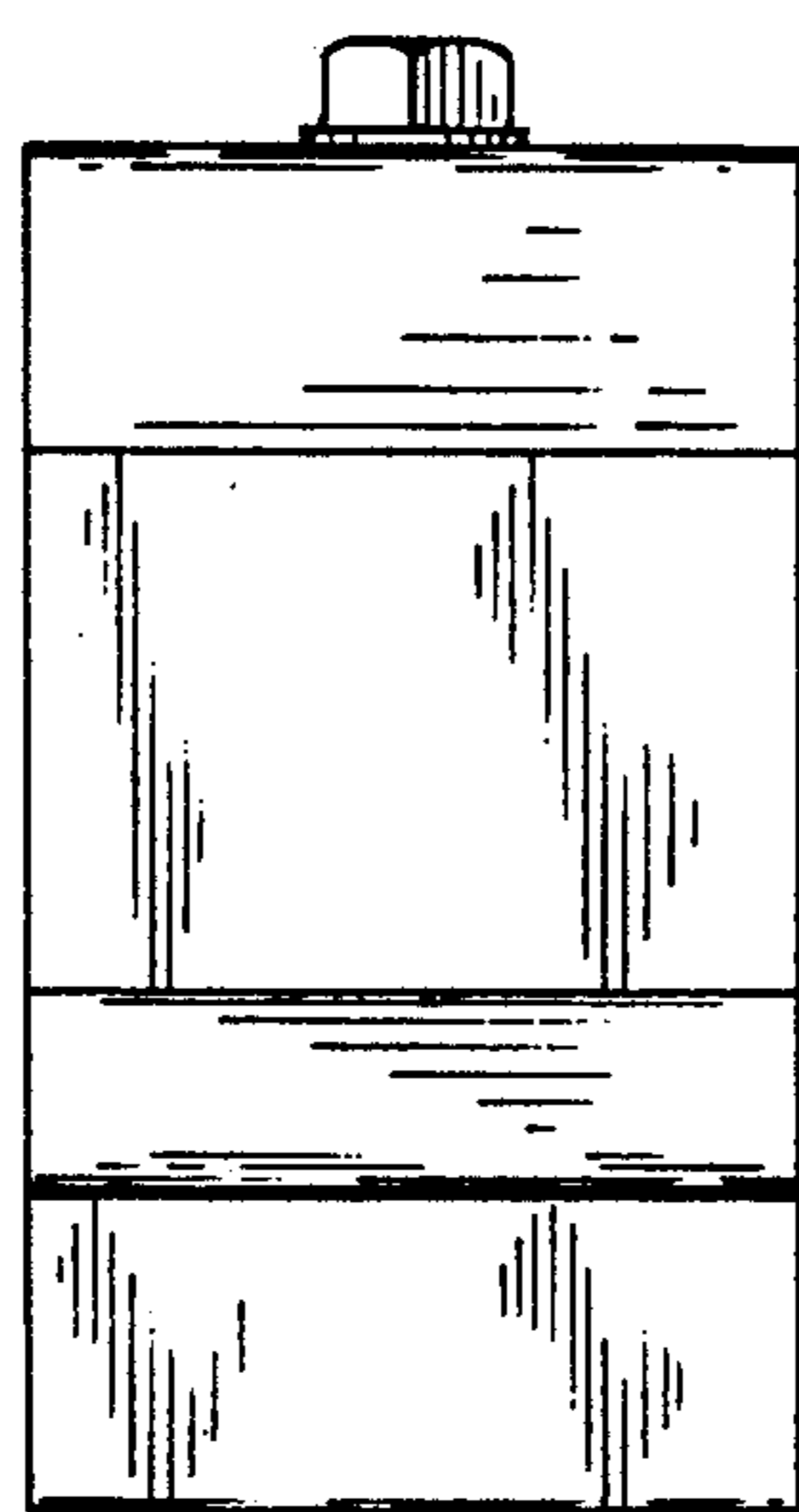


FIG. 18

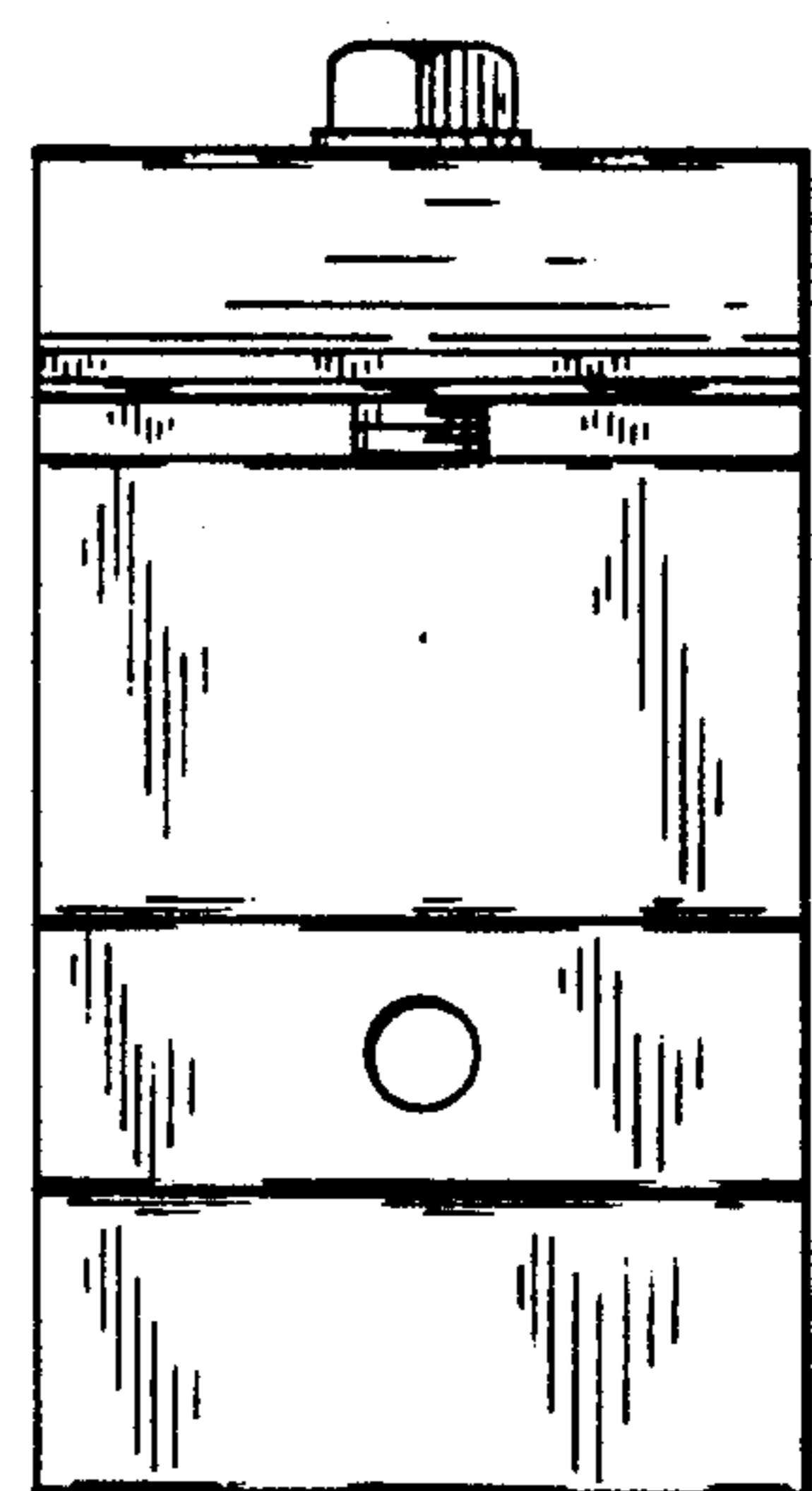


FIG. 19