



US00D339781S

United States Patent [19]

[11] Patent Number: **Des. 339,781**

Hassan

[45] Date of Patent: **** Sep. 28, 1993**

- [54] COVER FOR SHUTTING OFF SUNSHINE ON ROOF OF CAR
- [76] Inventor: **Mahbubul Hassan**, 59 Misty Pond Cir., Apt. #20, Moriches, N.Y. 11955
- [**] Term: **14 Years**
- [21] Appl. No.: **849,326**
- [22] Filed: **Mar. 10, 1992**
- [52] U.S. Cl. **D12/156; D12/155**
- [58] Field of Search **D12/155, 156, 191; 296/95.1, 136, 100; 160/370.2; 280/770**

Attorney, Agent, or Firm—Oblon, Spivak, McClelland, Maier & Neustadt

[57] CLAIM

The ornamental design for cover for shutting off sunshine on roof of car, as shown and described.

DESCRIPTION

FIG. 1 is a perspective view of a cover for shutting off sunshine on roof of car, showing my new design;
 FIG. 2 is a front elevational view thereof;
 FIG. 3 is a top plan view thereof;
 FIG. 4 is a bottom plan view thereof;
 FIG. 5 is a side elevational view thereof;
 FIG. 6 is a sectional view taken along the line 6—6 of FIG. 5;
 FIG. 7 is a front elevational view at storing condition thereof; and,
 FIG. 8 is a perspective view thereof, on a reduced scale, in position of use on a car which is fragmentarily shown in broken lines for illustrative purposes only and forms no part of the claimed design.

- [56] **References Cited**
 - U.S. PATENT DOCUMENTS**
 - 4,889,171 12/1989 Minimo 296/95.1
 - 5,087,092 2/1992 Antopolsky et al. 296/95.1
 - FOREIGN PATENT DOCUMENTS**
 - 0060422 3/1989 Japan 296/136
- Primary Examiner*—James M. Gandy

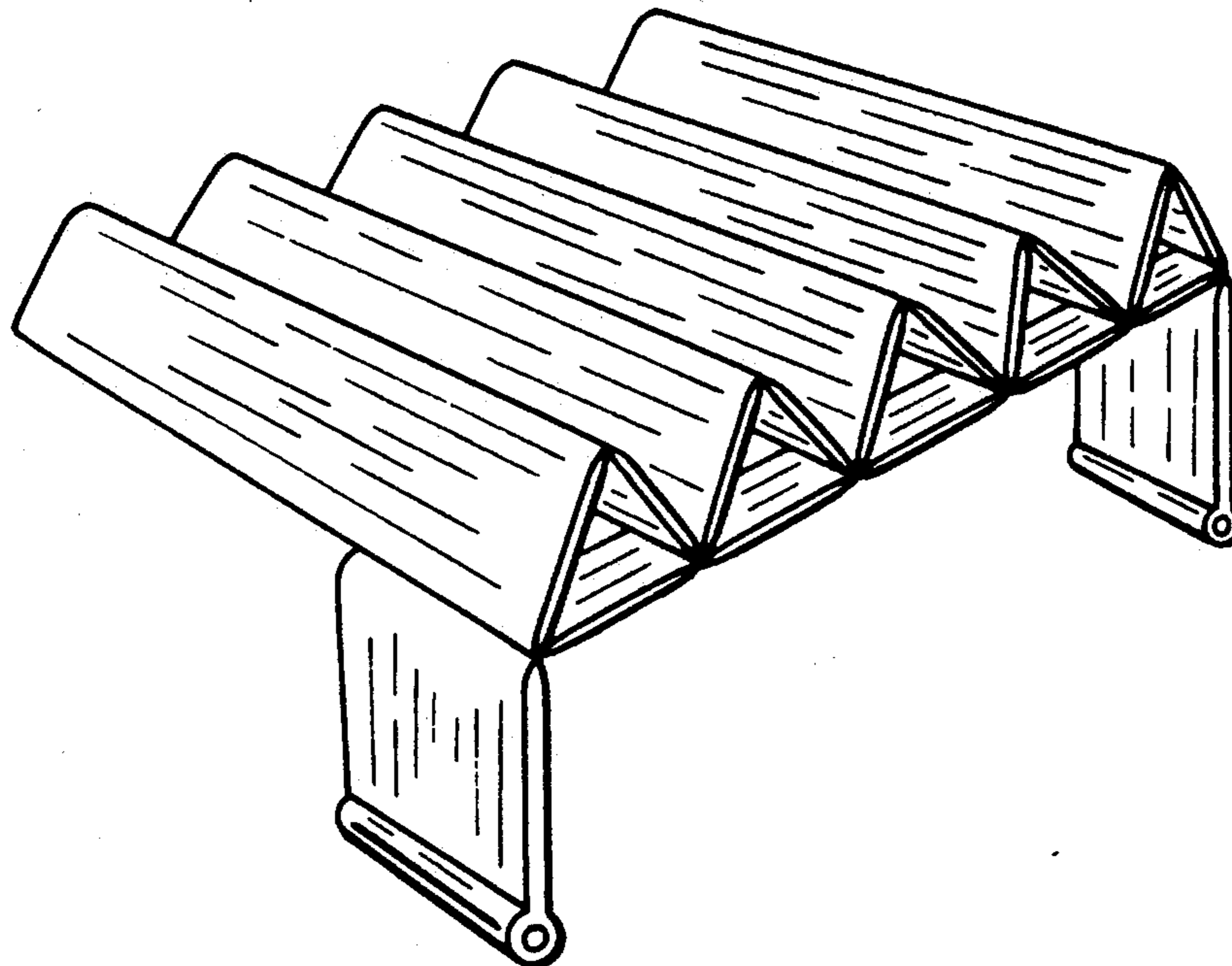


FIG. 1

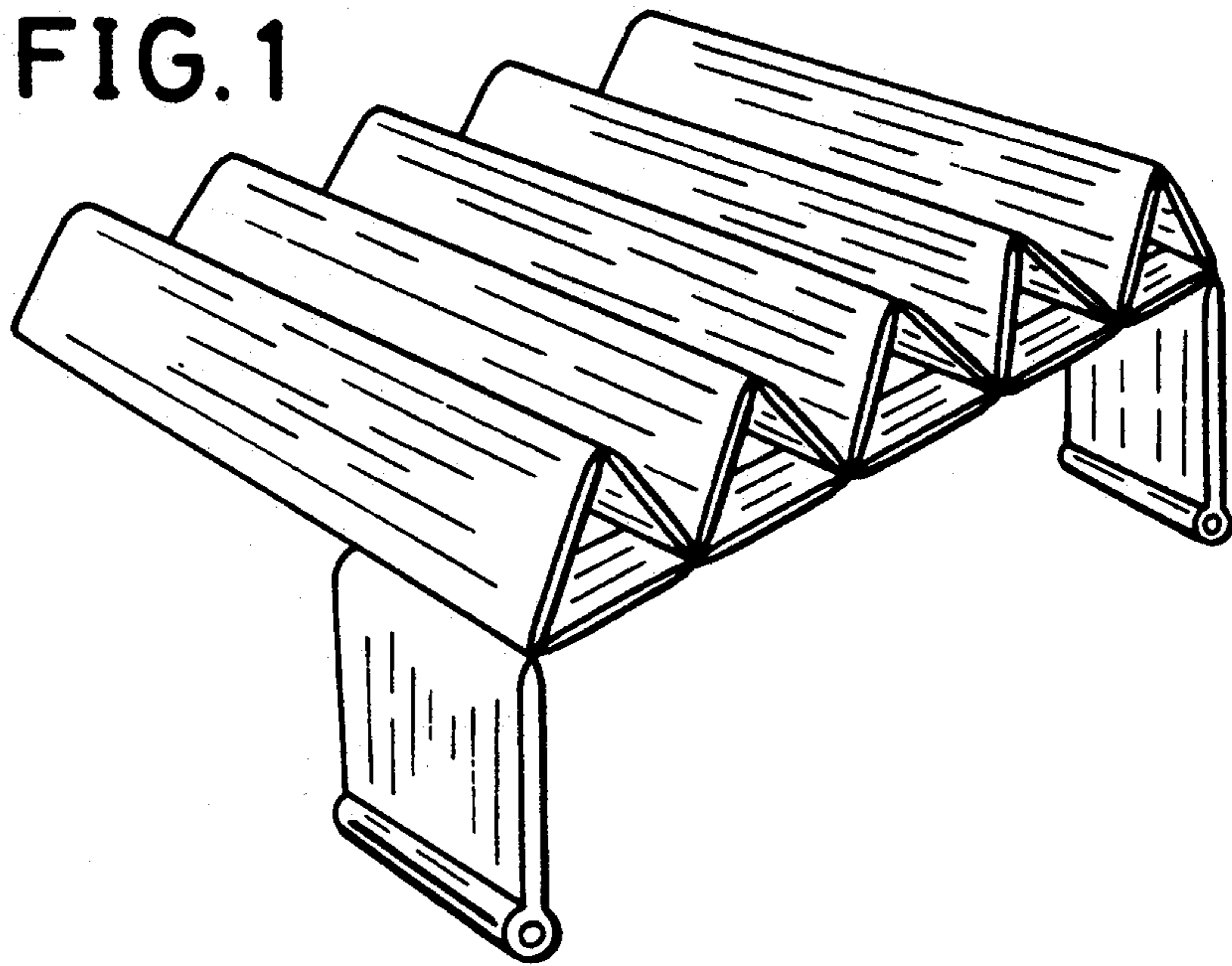


FIG. 2

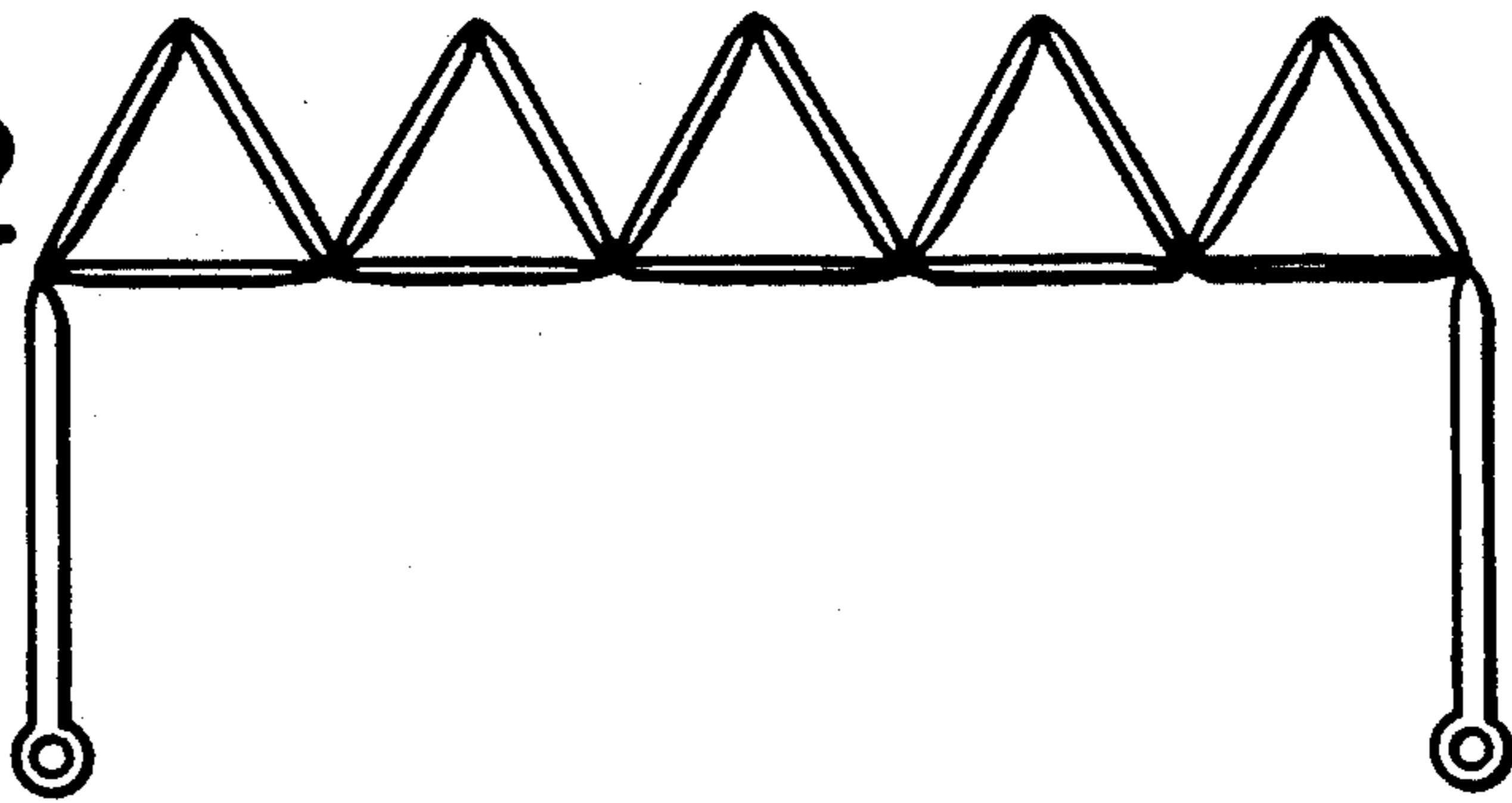


FIG. 3

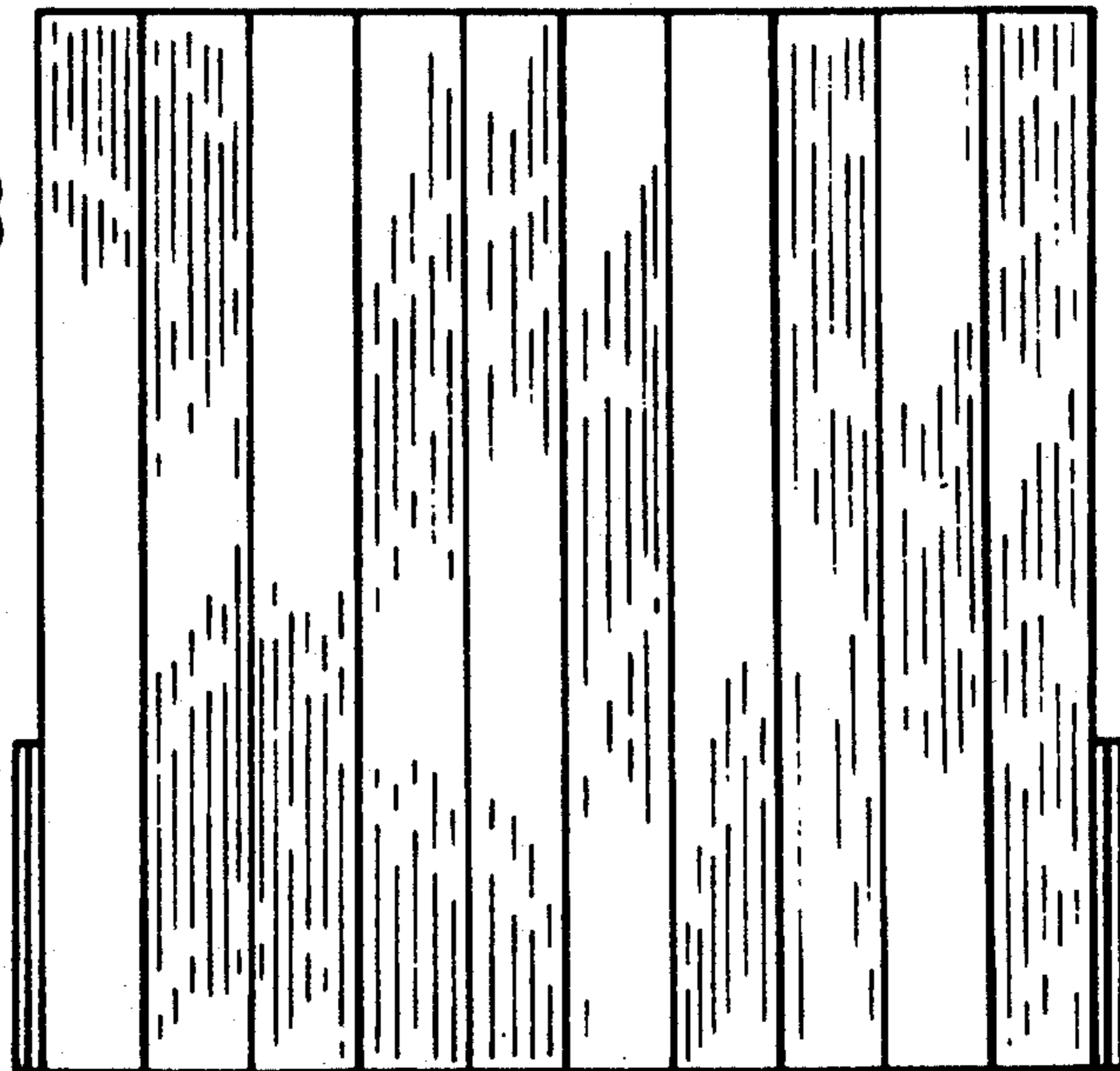
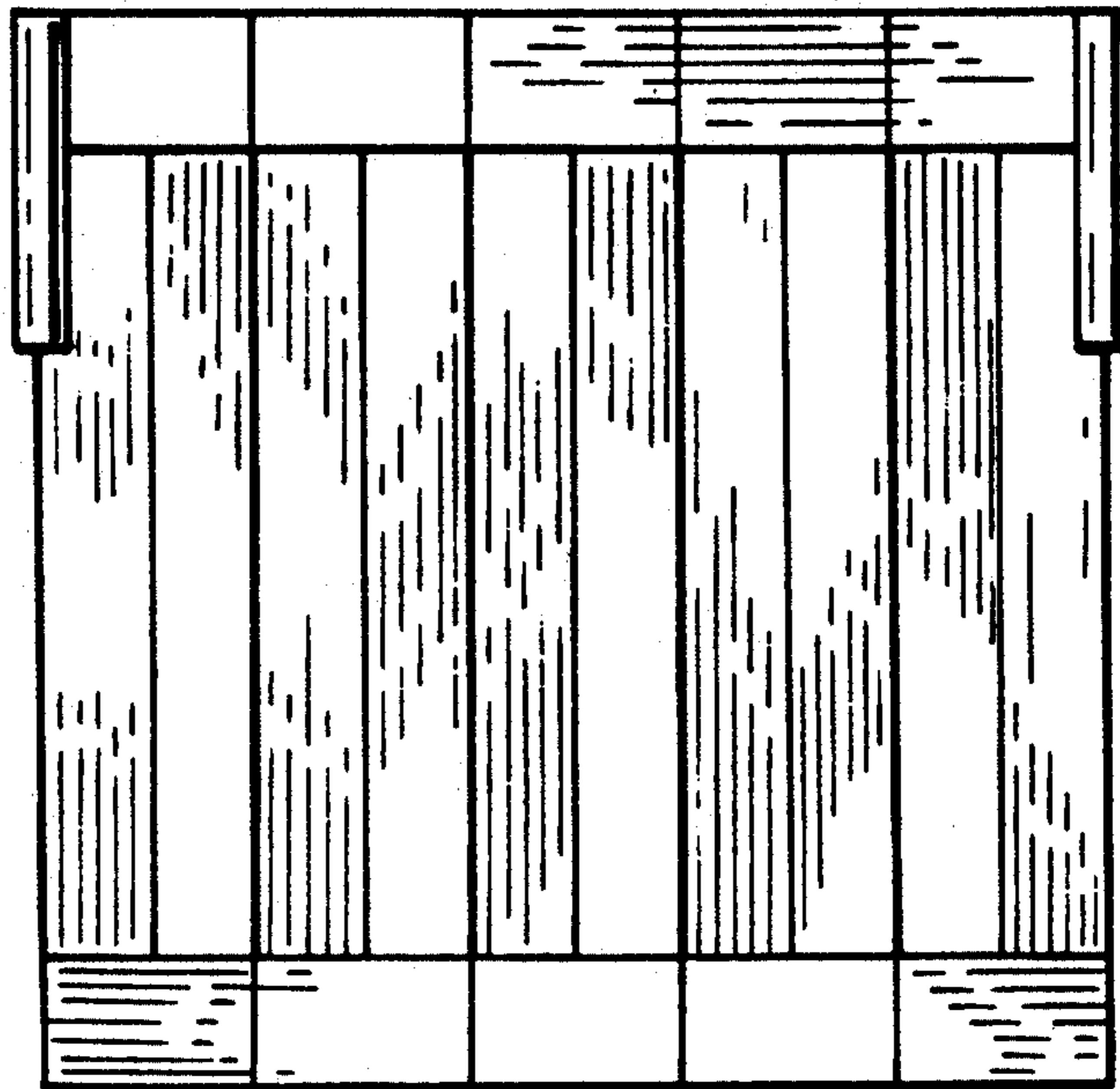
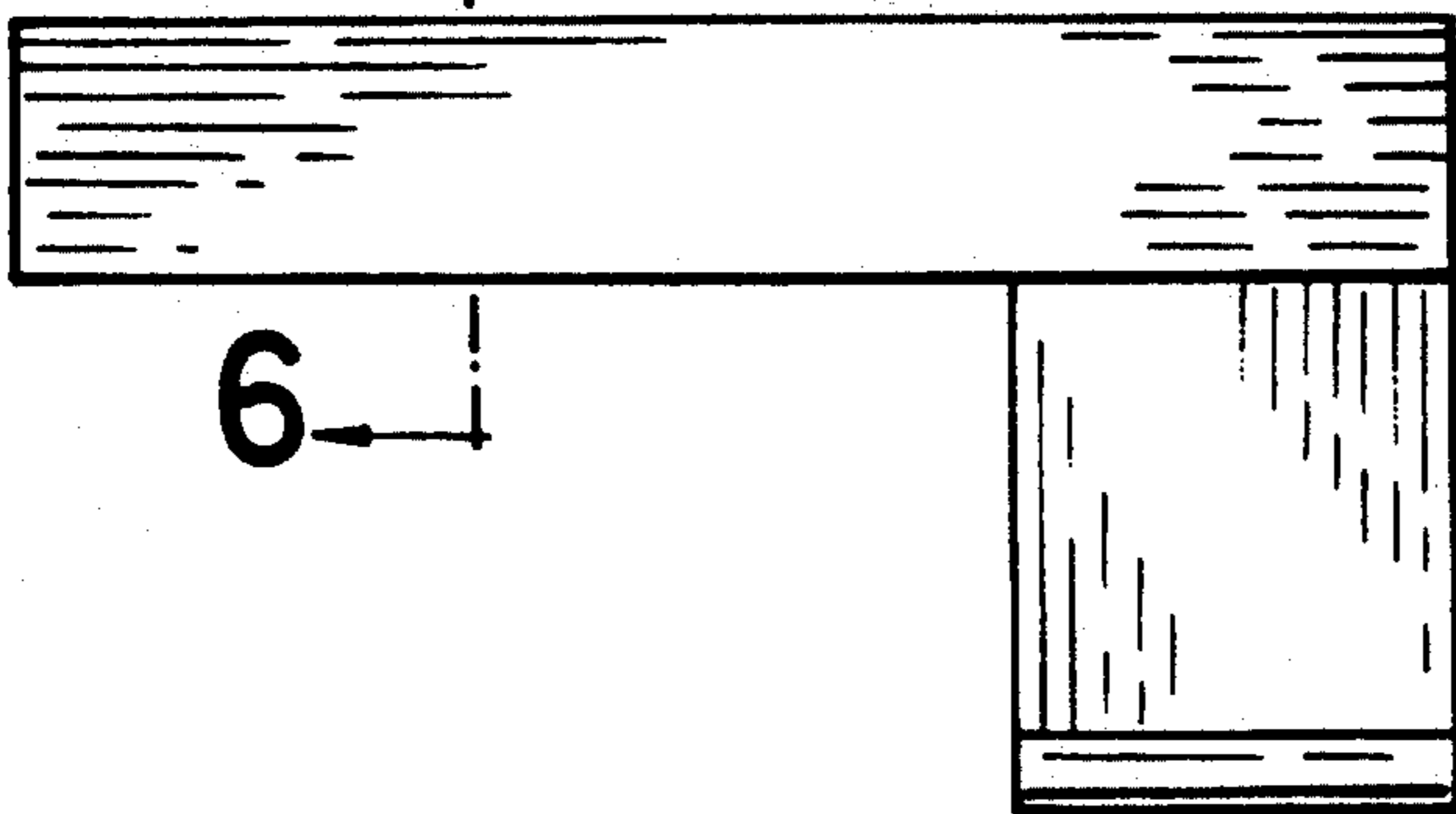


FIG. 4



6

FIG. 5



6

FIG. 7

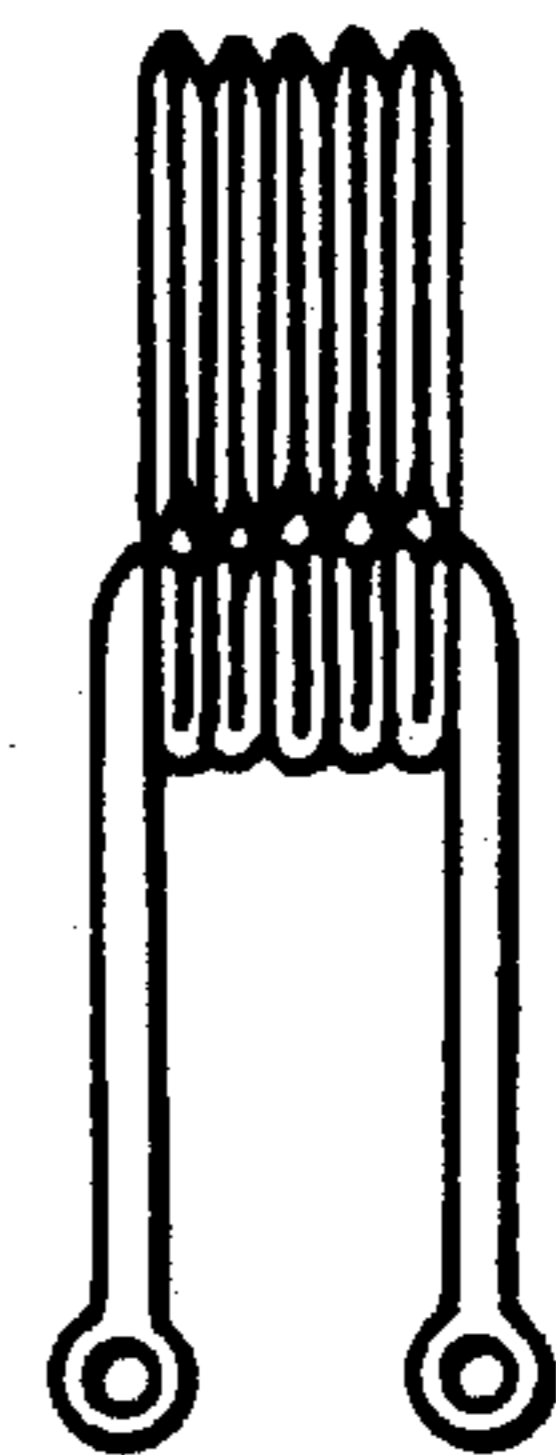


FIG. 6

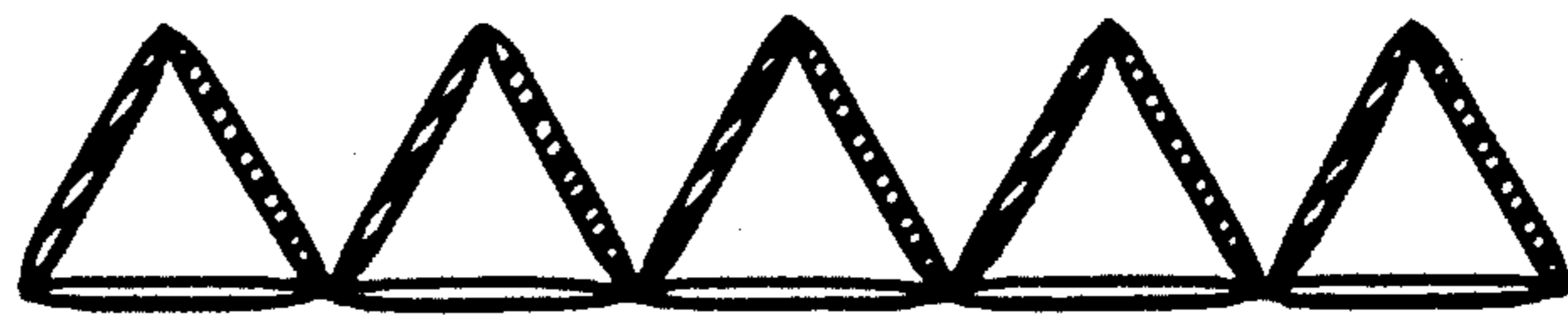


FIG. 8

