



US00D339780S

United States Patent [19]

[11] Patent Number: **Des. 339,780**

Burdick

[45] Date of Patent: **** Sep. 28, 1993**

[54] **ACCESSORY PANEL FOR AN OVERHEAD CONSOLE**

DESCRIPTION

[75] Inventor: **Robert C. Burdick, Romulus, Mich.**

FIG. 1 is a plan view of an accessory panel for an overhead console showing my new design;

[73] Assignee: **United Technologies Automotive, Inc., Dearborn, Mich.**

FIG. 2 is a left side view thereof;

[**] Term: **14 Years**

FIG. 3 is a rear perspective view taken from the lower left side thereof;

[21] Appl. No.: **431,497**

FIG. 4 is a plan view of an accessory panel for an overhead console showing a second embodiment of my new design;

[22] Filed: **Nov. 3, 1989**

FIG. 5 is a left side view of the design illustrated in FIG. 4;

[52] U.S. Cl. **D12/155**

FIG. 6 is a rear perspective view taken from the lower left side of the design illustrated in FIG. 4;

[58] Field of Search **D12/155; 296/37.7, 37.8, 296/70; 180/90**

FIG. 7 is a plan view of an accessory panel for an overhead console showing a third embodiment of my new design;

[56] **References Cited**

U.S. PATENT DOCUMENTS

- D. 296,885 7/1988 Higgins D12/155
- D. 297,826 9/1988 Cody D12/155

FIG. 8 is a left side view of the design illustrated in FIG. 7;

FIG. 9 is a rear perspective view taken from the lower left side of the design illustrated in FIG. 7;

Primary Examiner—James M. Gandy

FIG. 10 is a plan view of an accessory panel for an overhead console showing a fourth embodiment of my new design;

[57] **CLAIM**

The ornamental design for an accessory panel for an overhead console, as shown and described.

FIG. 11 is a left side view of the design illustrated in FIG. 10; and ,

FIG. 12 is a rear perspective view taken from the lower left side of the design illustrated in FIG. 10.

The broken line showing of environmental structure is for illustrative purposes only and forms no part of the claimed design.

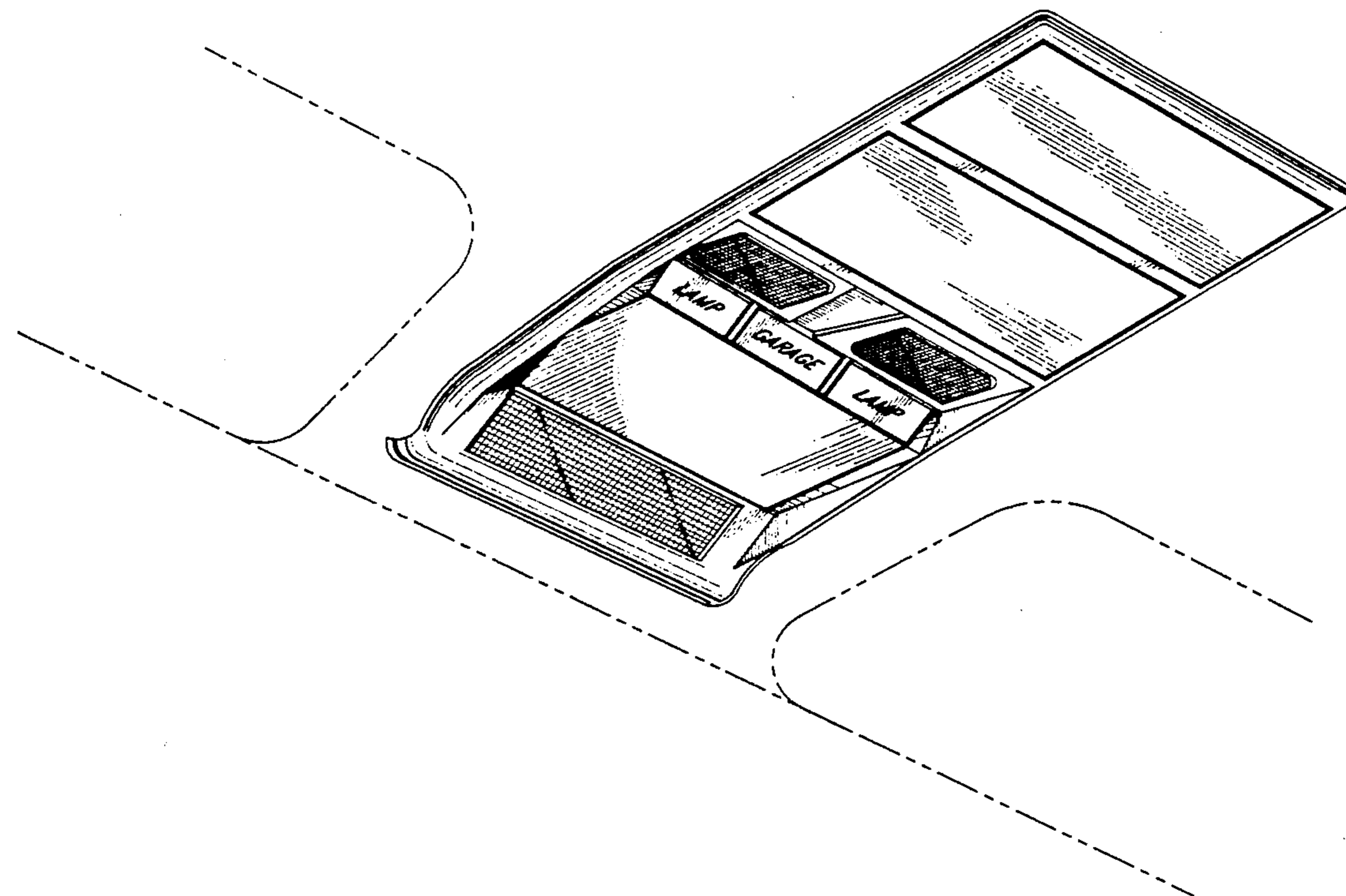


FIG. 1

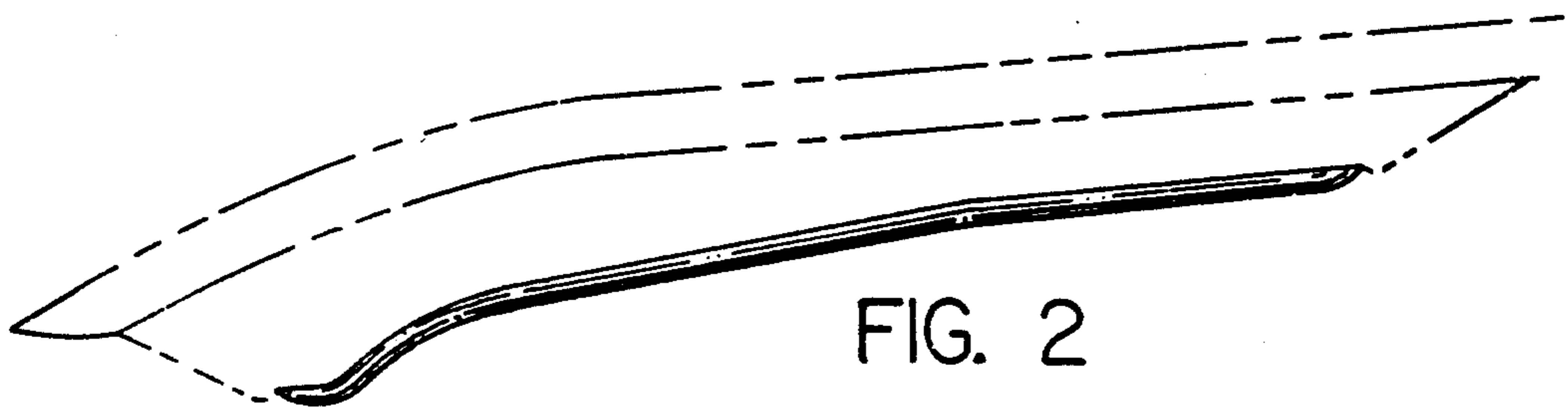
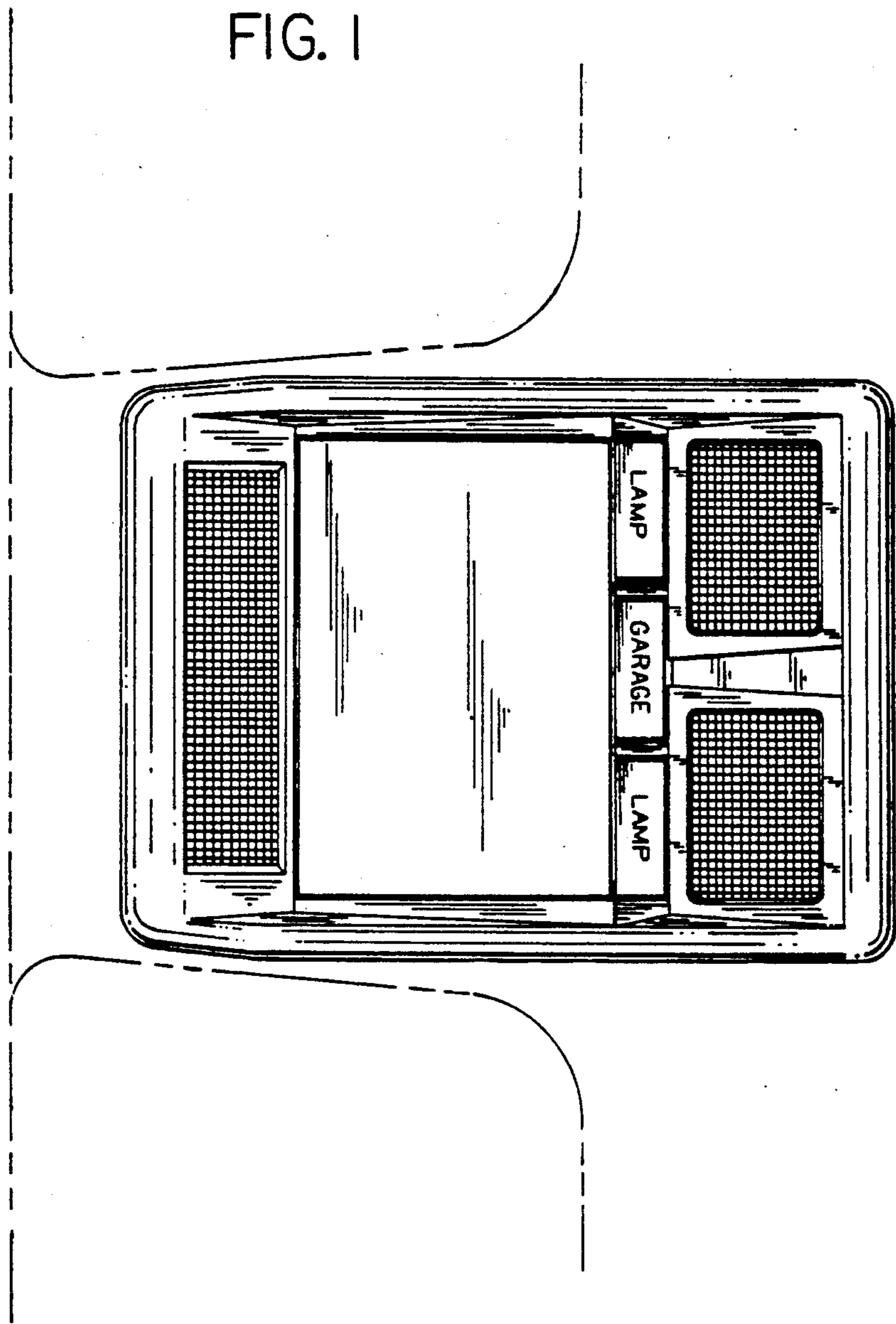


FIG. 2

FIG. 3

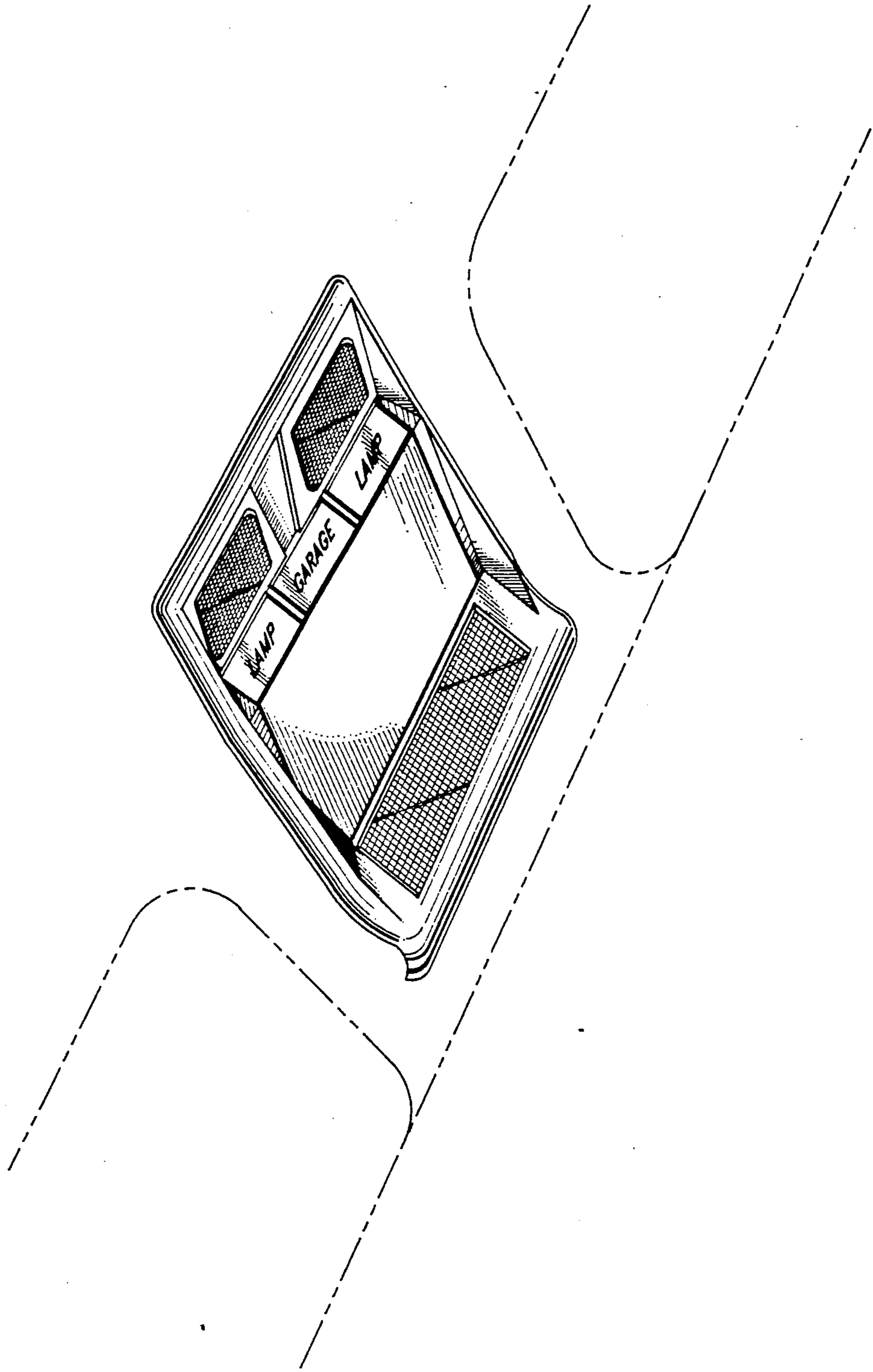
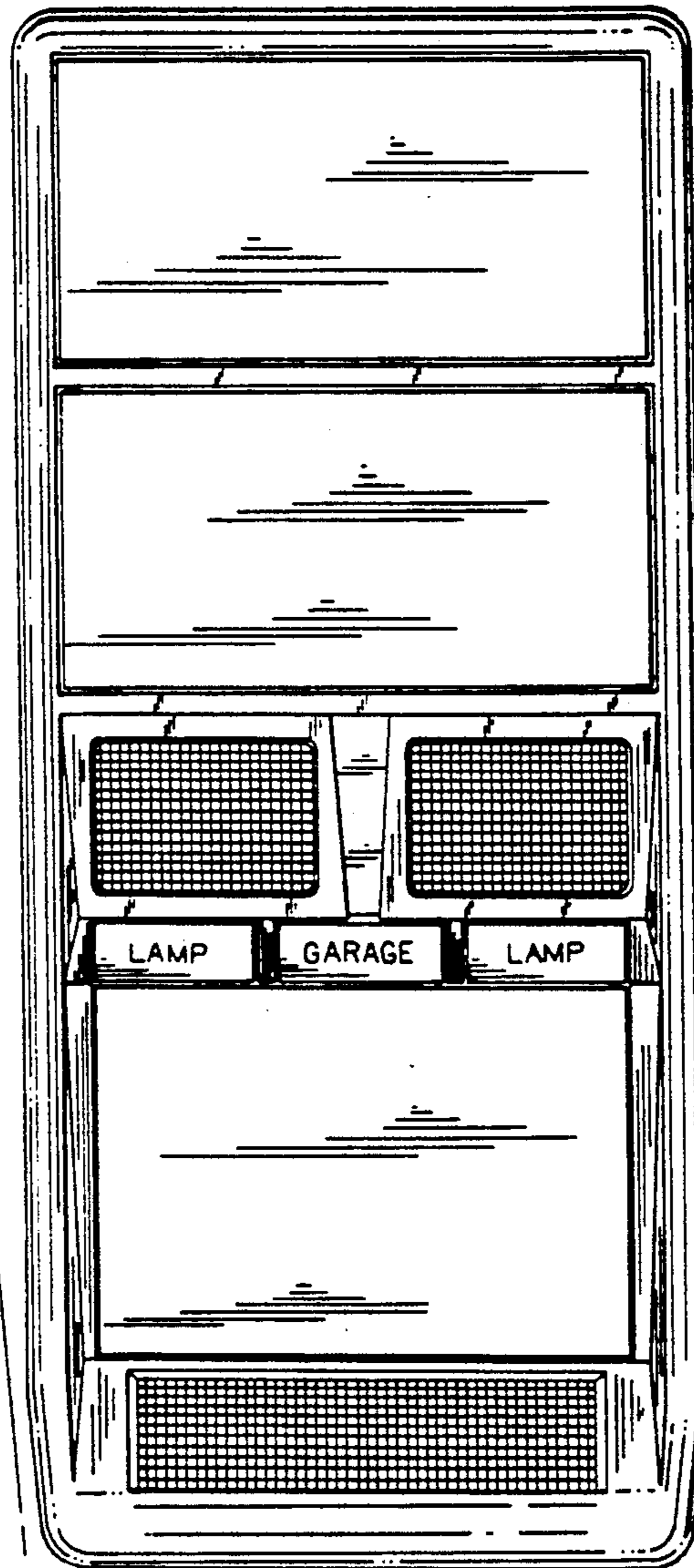


FIG. 4



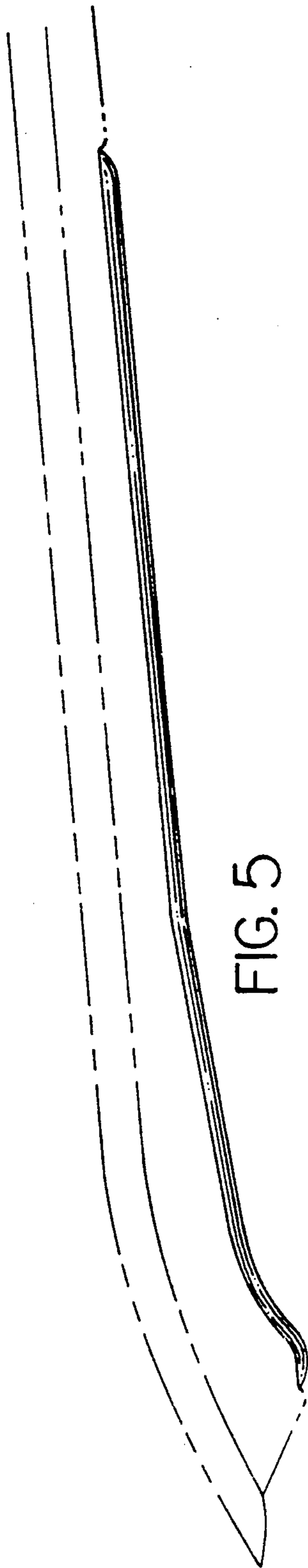


FIG. 5

FIG. 6

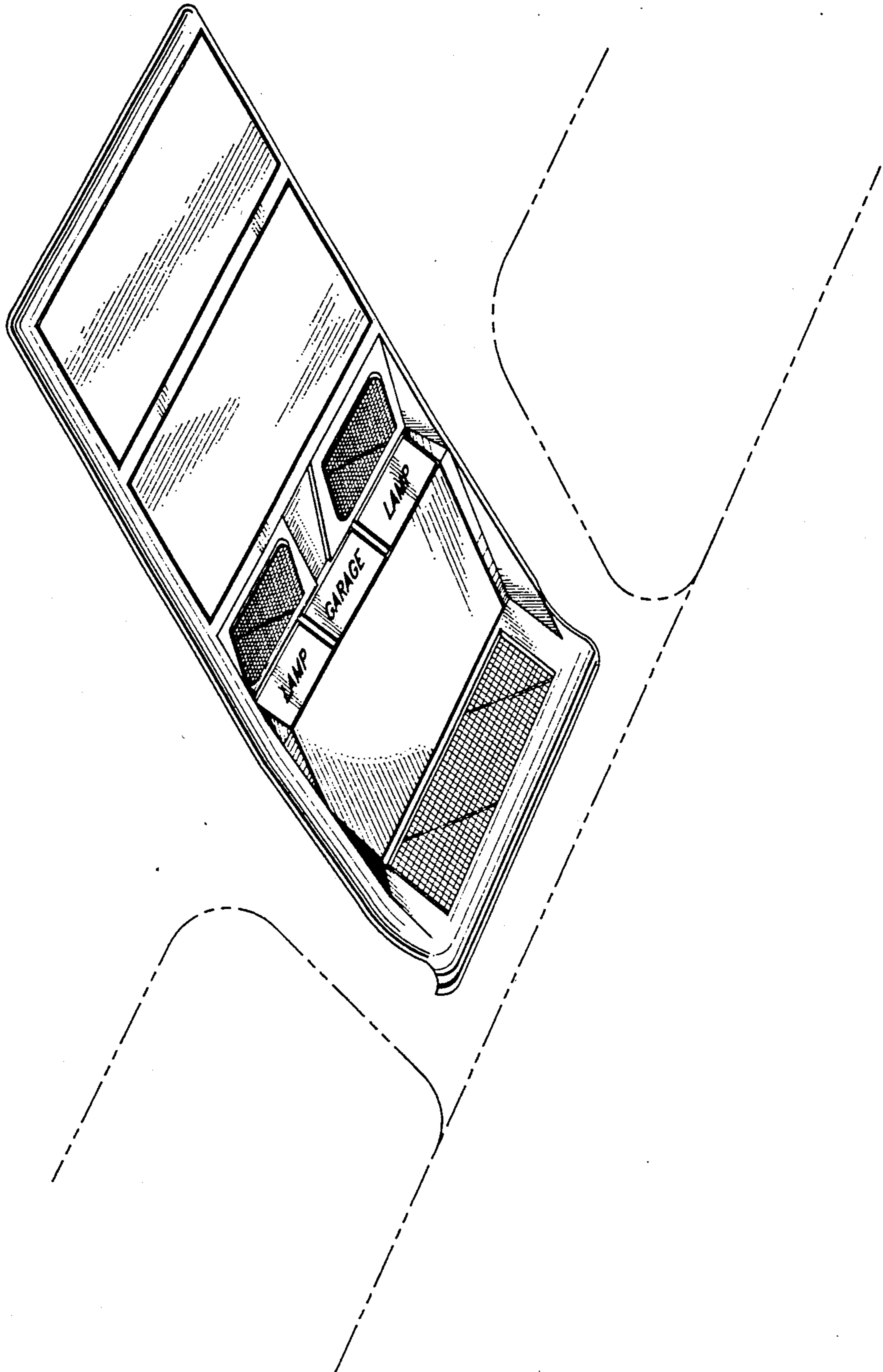


FIG. 7

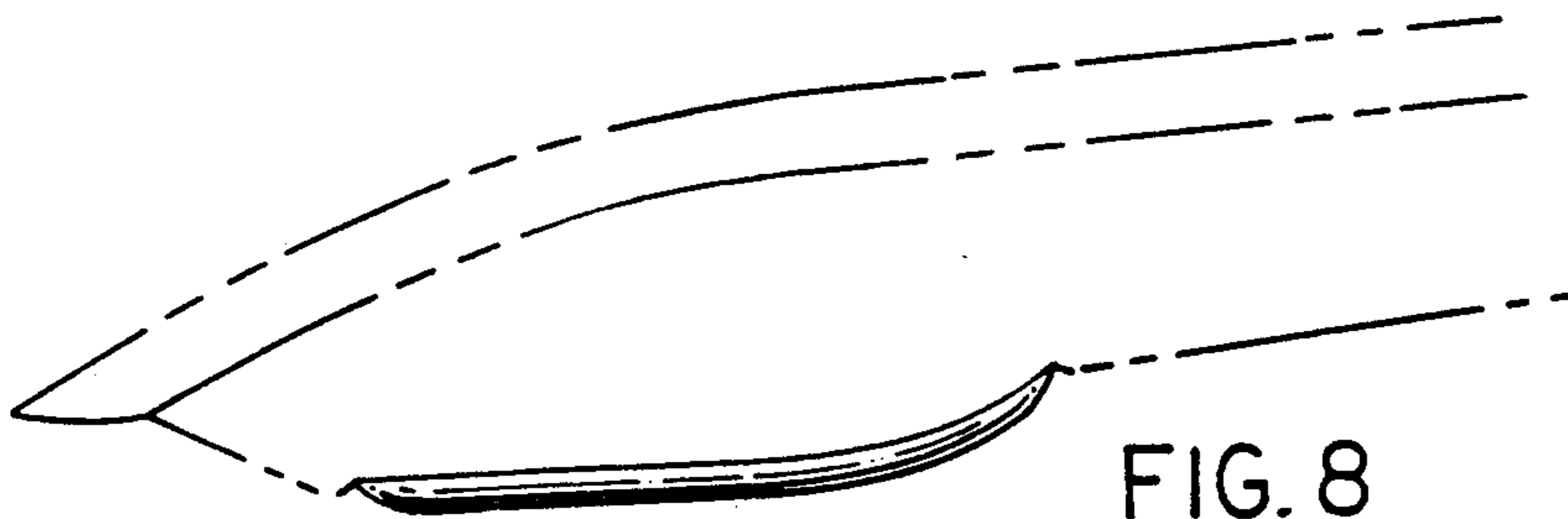
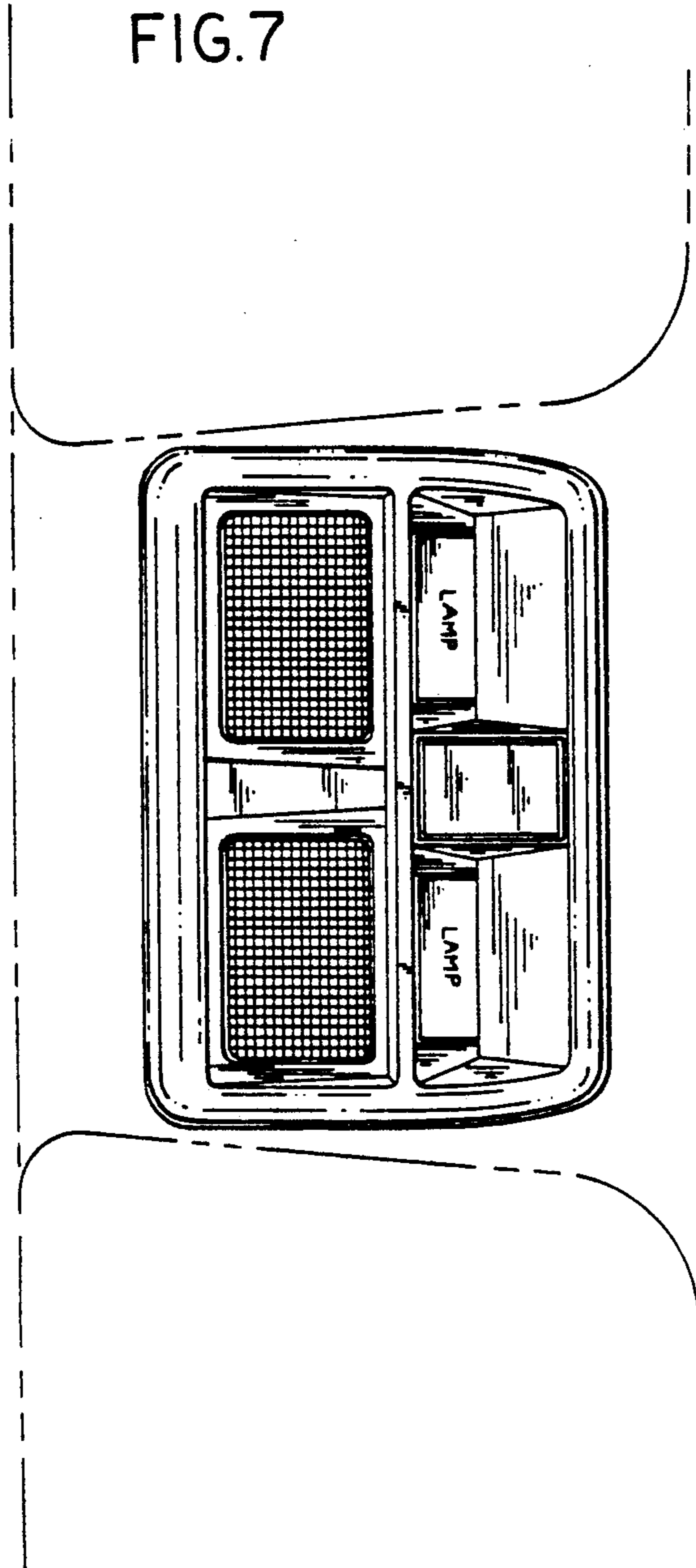


FIG. 8

FIG. 9

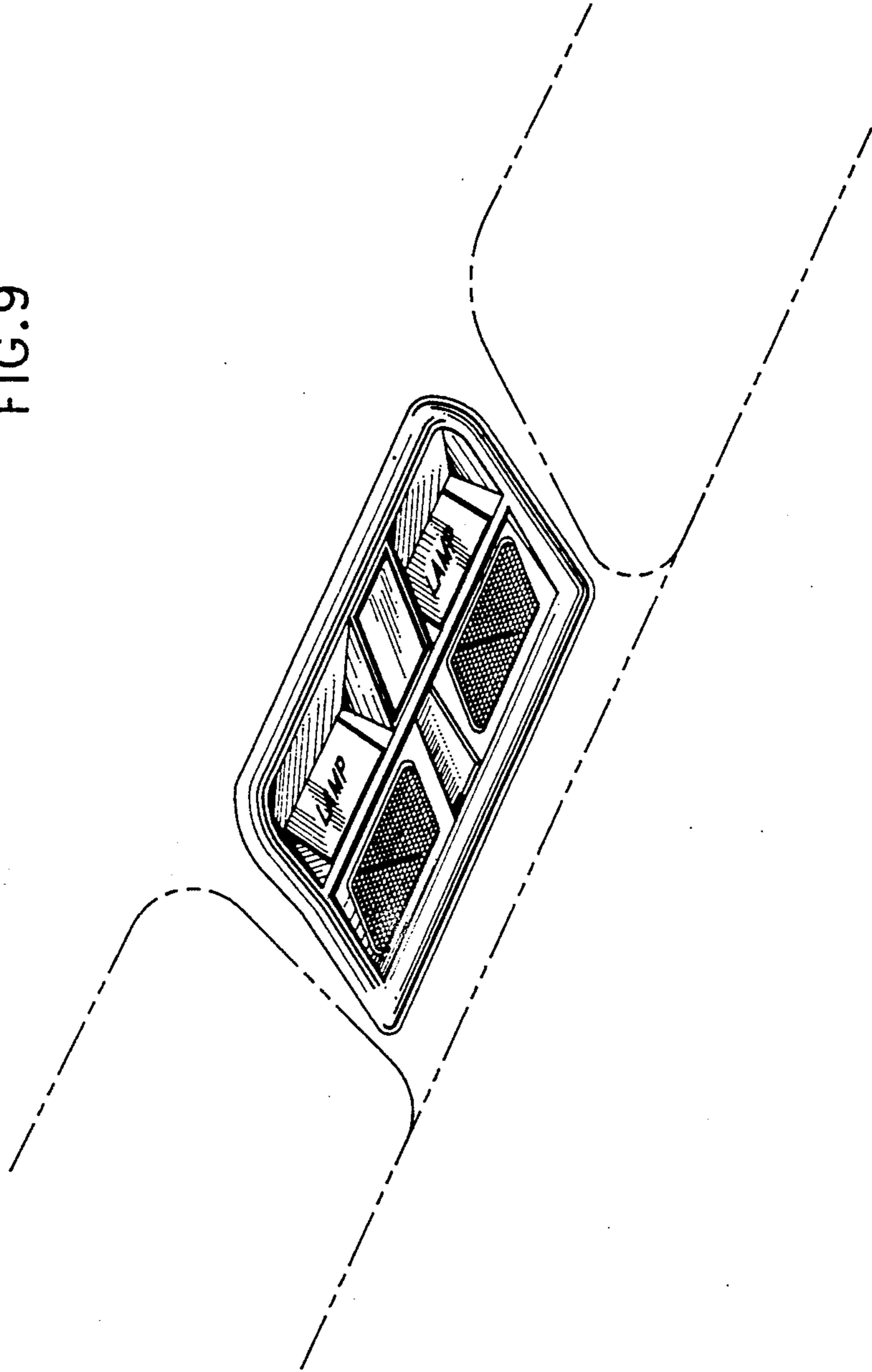


FIG. 10

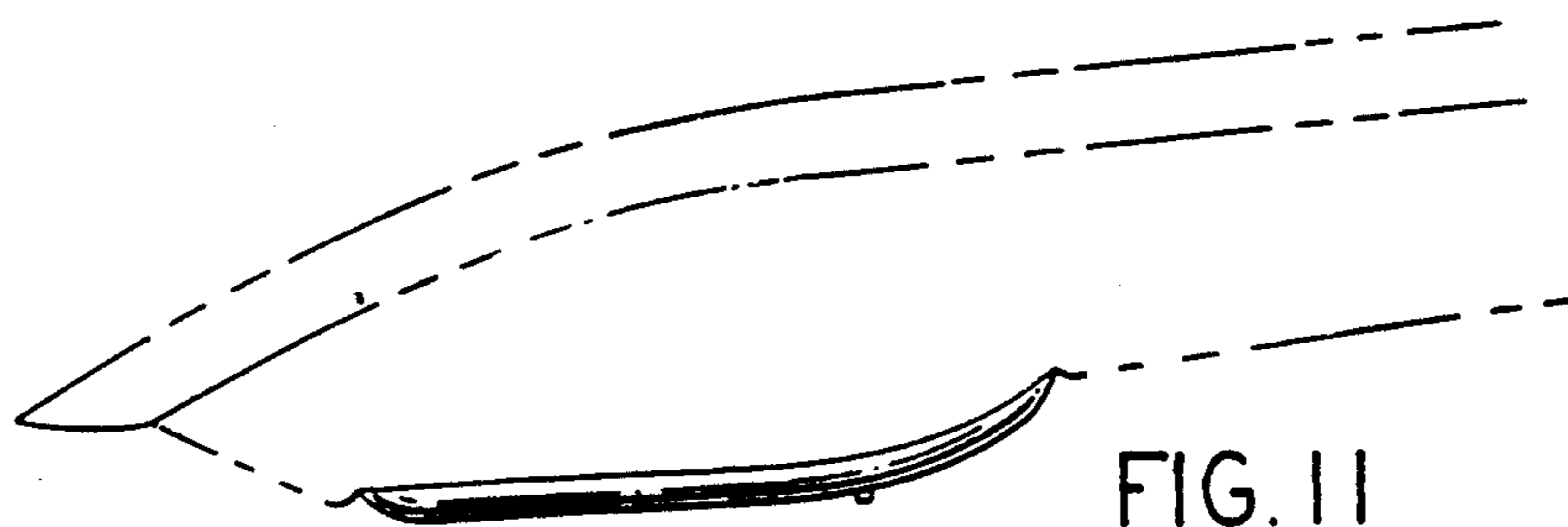
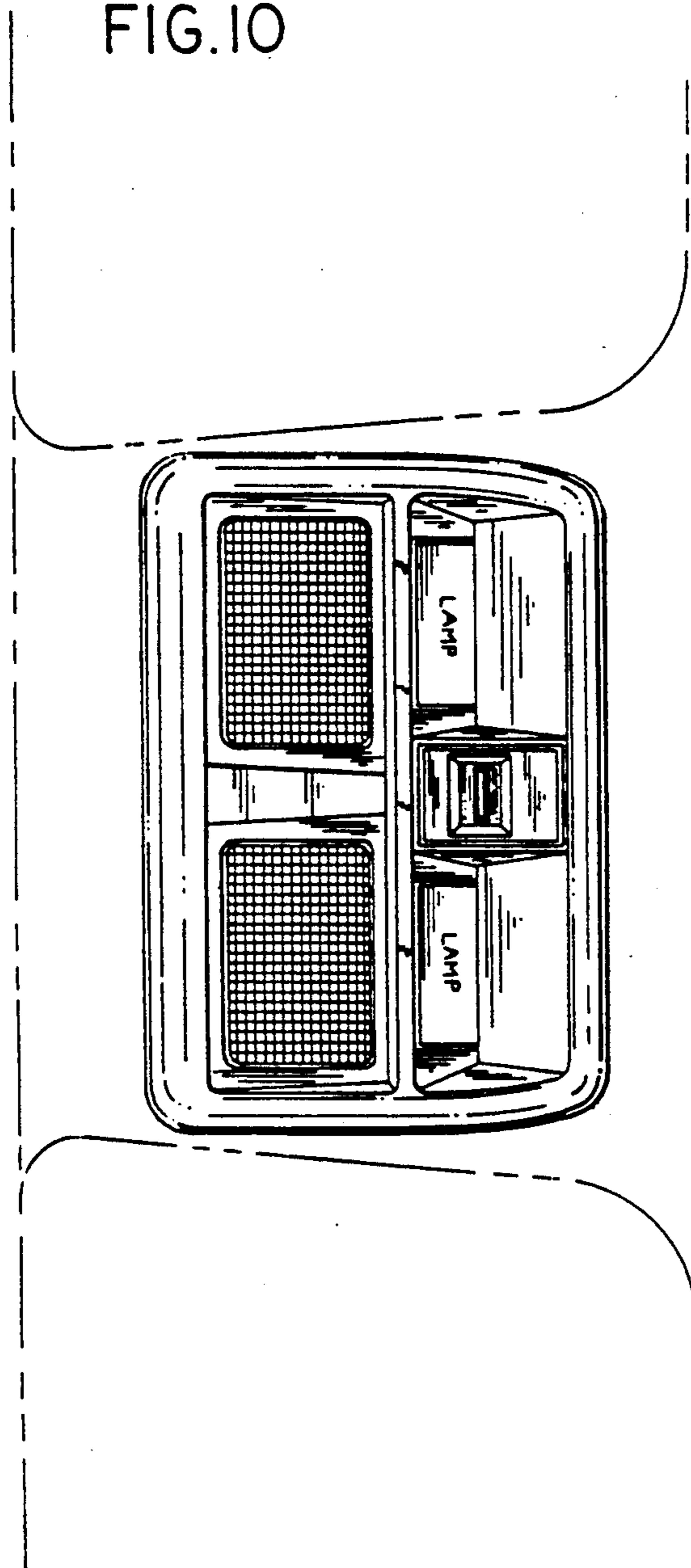


FIG. 11

FIG.12

