



US00D339770S

United States Patent [19]

Noami

[11] Patent Number: Des. 339,770

[45] Date of Patent: ** Sep. 28, 1993

- [54] BICYCLE REAR DERAILLEUR
- [75] Inventor: Hiroyuki Noami, Osaka, Japan
- [73] Assignee: Maeda Industries, Ltd., Osaka, Japan
- [**] Term: 14 Years
- [21] Appl. No.: 873,544
- [22] Filed: Apr. 22, 1992

- [30] Foreign Application Priority Data
 - Oct. 31, 1991 [JP] Japan 3-33198
- [52] U.S. Cl. D12/124
- [58] Field of Search D12/124, 179; 474/82; 74/475, 489

- [56] References Cited
 - U.S. PATENT DOCUMENTS
 - D. 235,631 7/1975 Shimano et al. D12/124
 - D. 269,864 7/1983 Watanabe D12/124
 - D. 283,415 4/1986 Ishikawa D12/124
 - D. 292,503 10/1987 Juy D12/124
 - D. 319,206 8/1991 Demarzieres D12/179

Primary Examiner—Wallace R. Burke
Assistant Examiner—Melody Brown
Attorney, Agent, or Firm—william H. Eilberg

[57] CLAIM

The ornamental design for a bicycle rear derailleur, as shown and described.

DESCRIPTION

FIG. 1 is a perspective view of a bicycle rear derailleur showing my new design;
 FIG. 2 is a front elevational view of the design;
 FIG. 3 is a left side view of the design;
 FIG. 4 is a rear elevational view of the design;
 FIG. 5 is a right side view of the design;
 FIG. 6 is a top plan view of the design;
 FIG. 7 is a bottom view of the design; and,
 FIG. 8 is a front elevational view of the rear derailleur as mounted to the bicycle frame together with a multiple sprocket assembly, the imaginary line portions being for illustrative purposes only and form no part of the design.

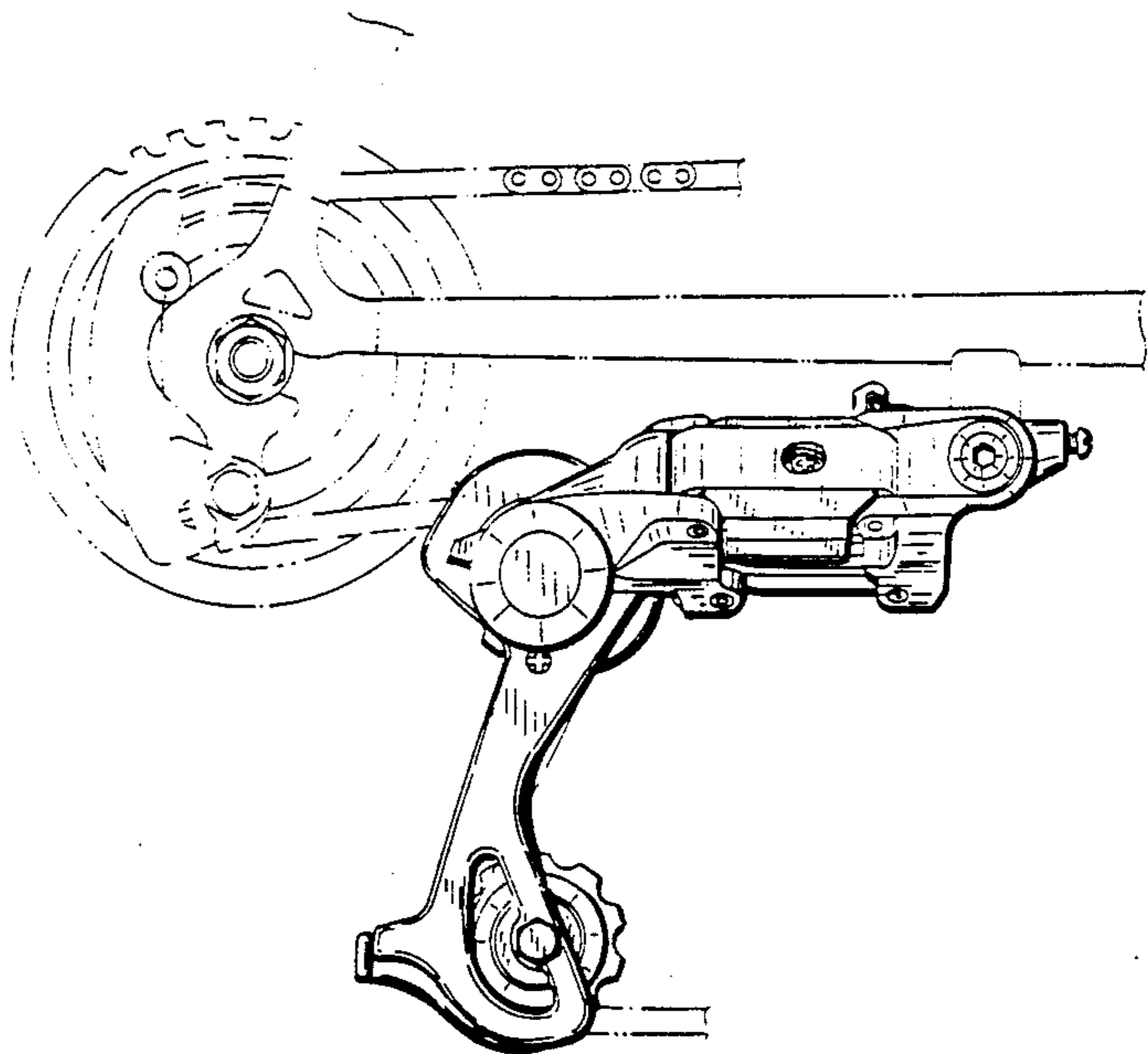
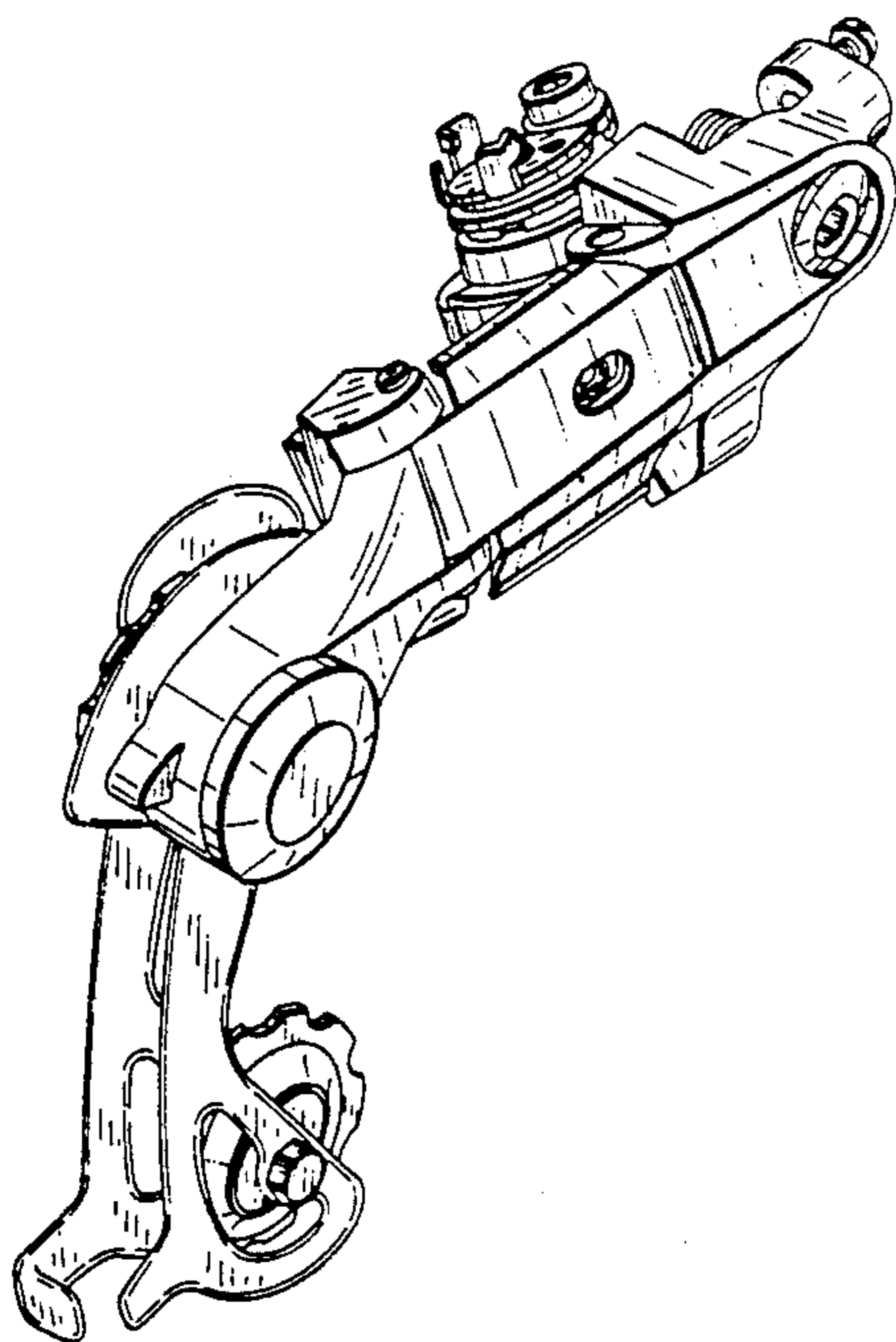


Fig. 1

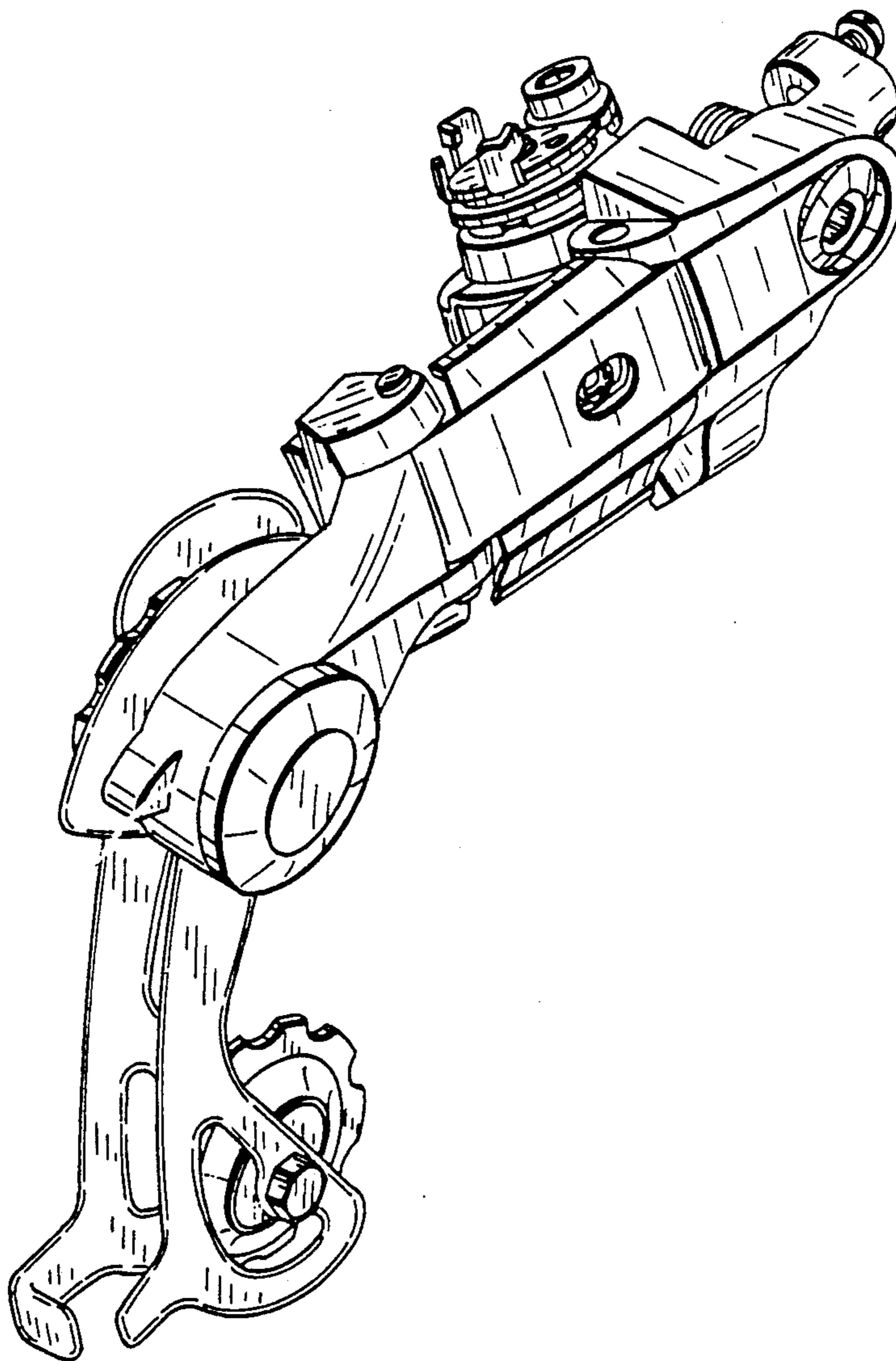


Fig. 2

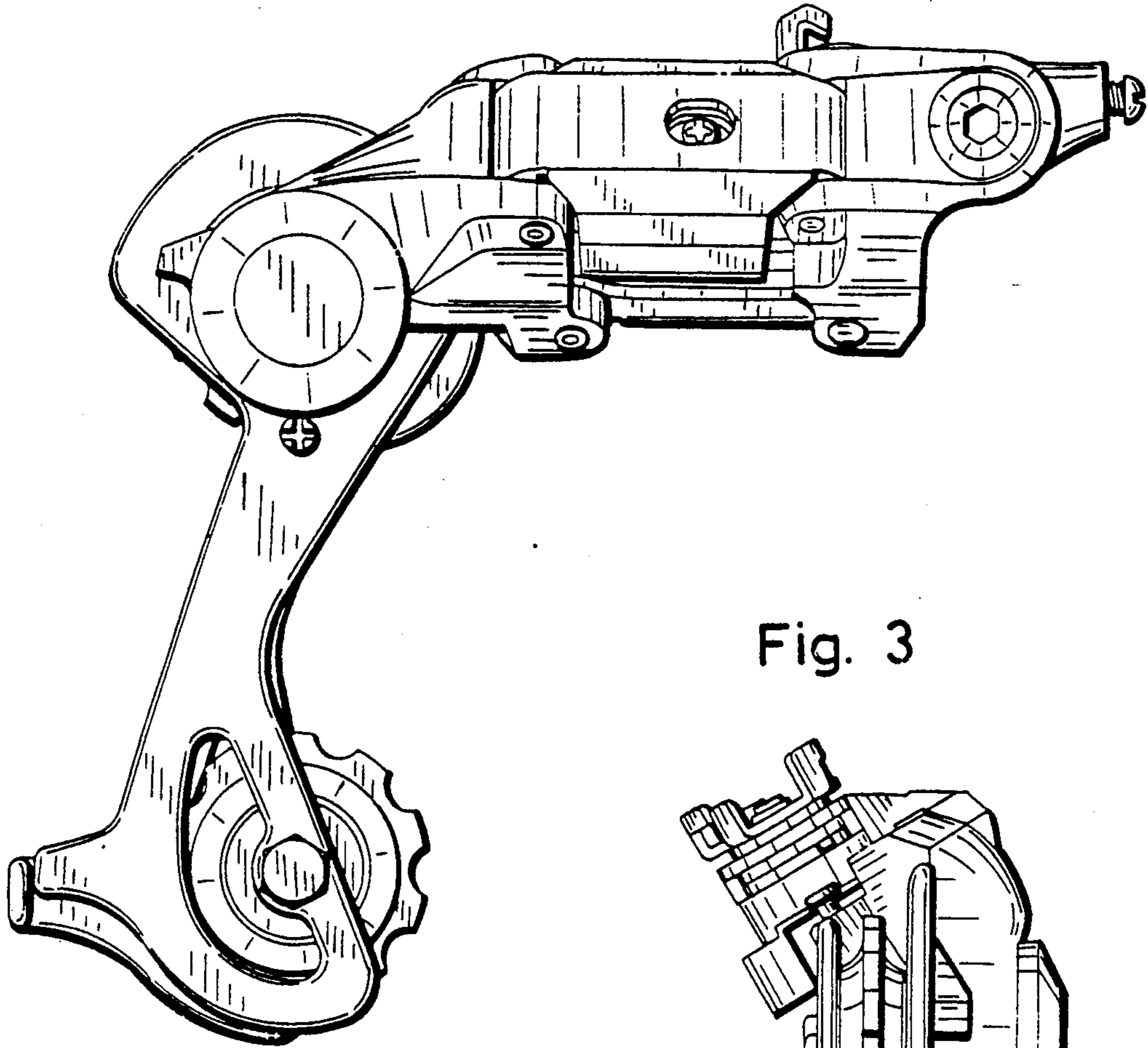


Fig. 3

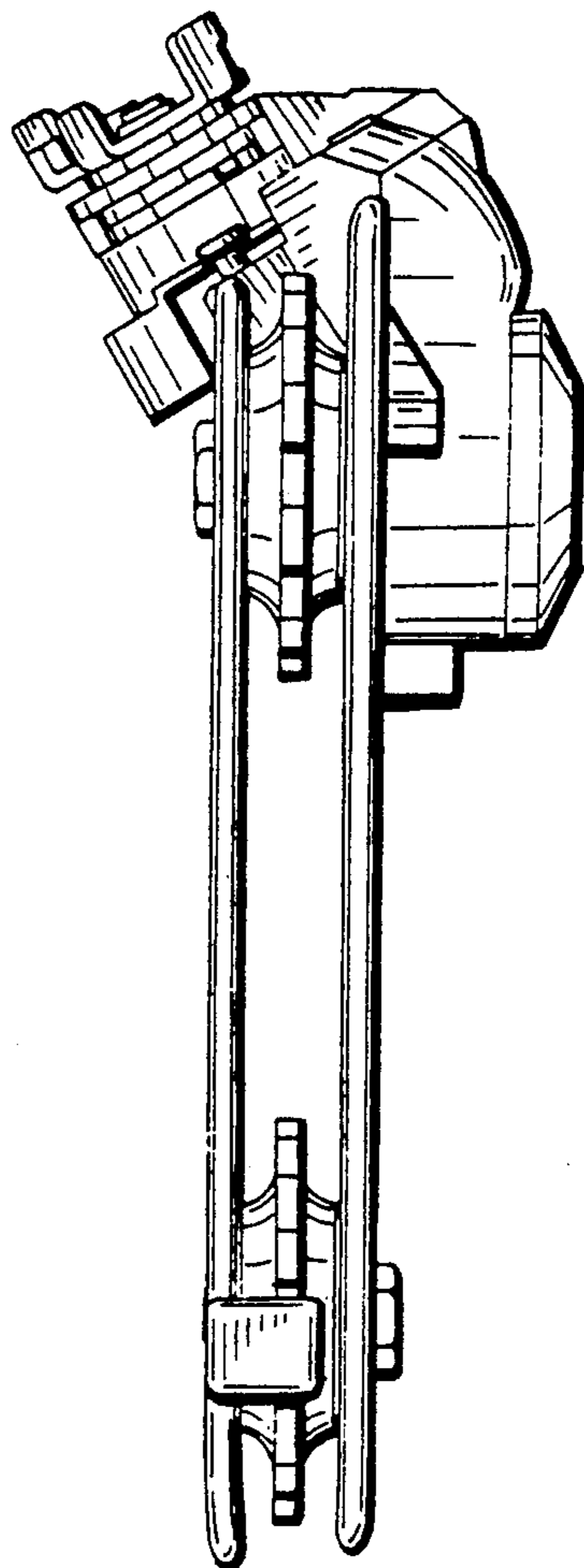


Fig. 4

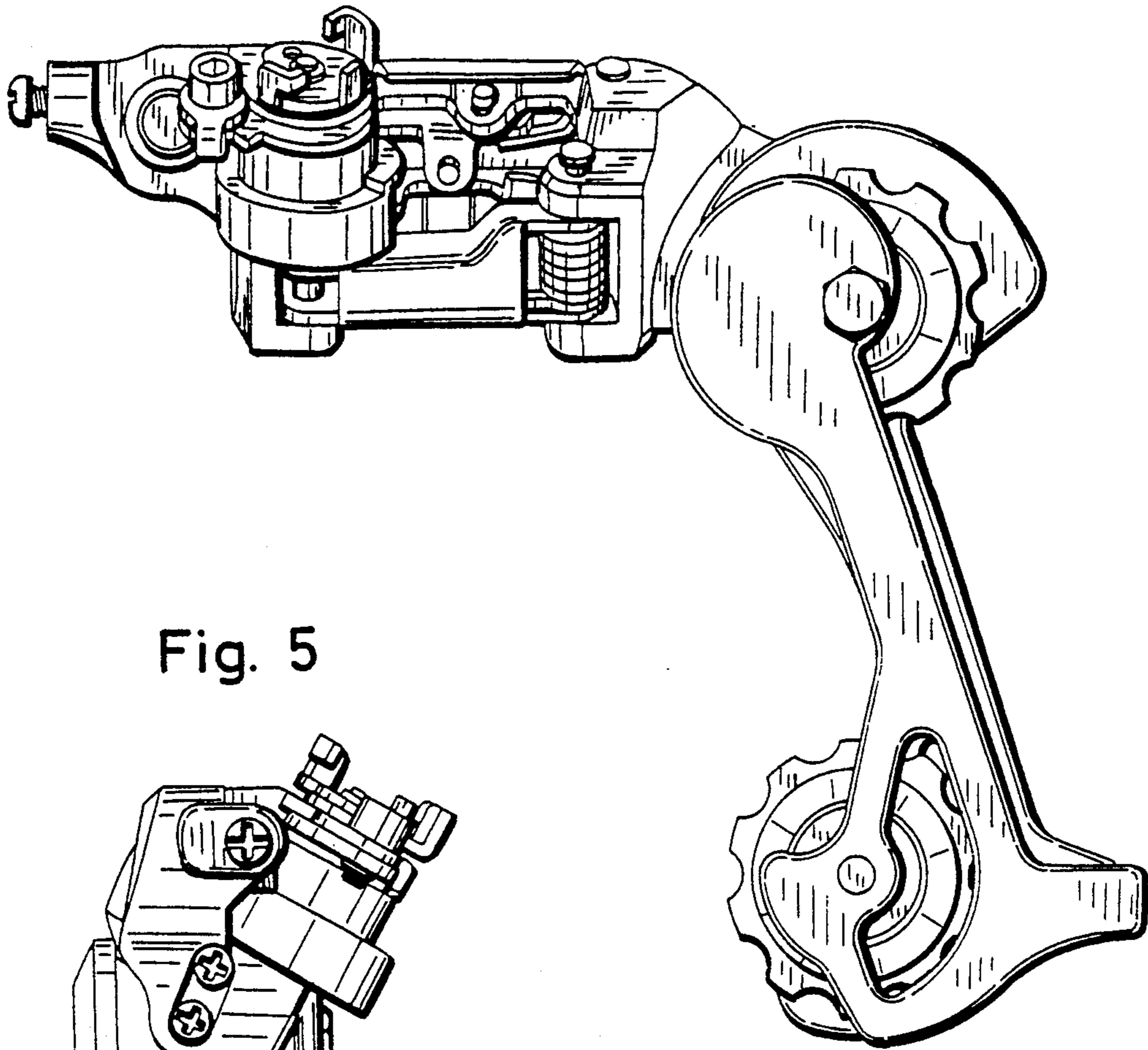


Fig. 5

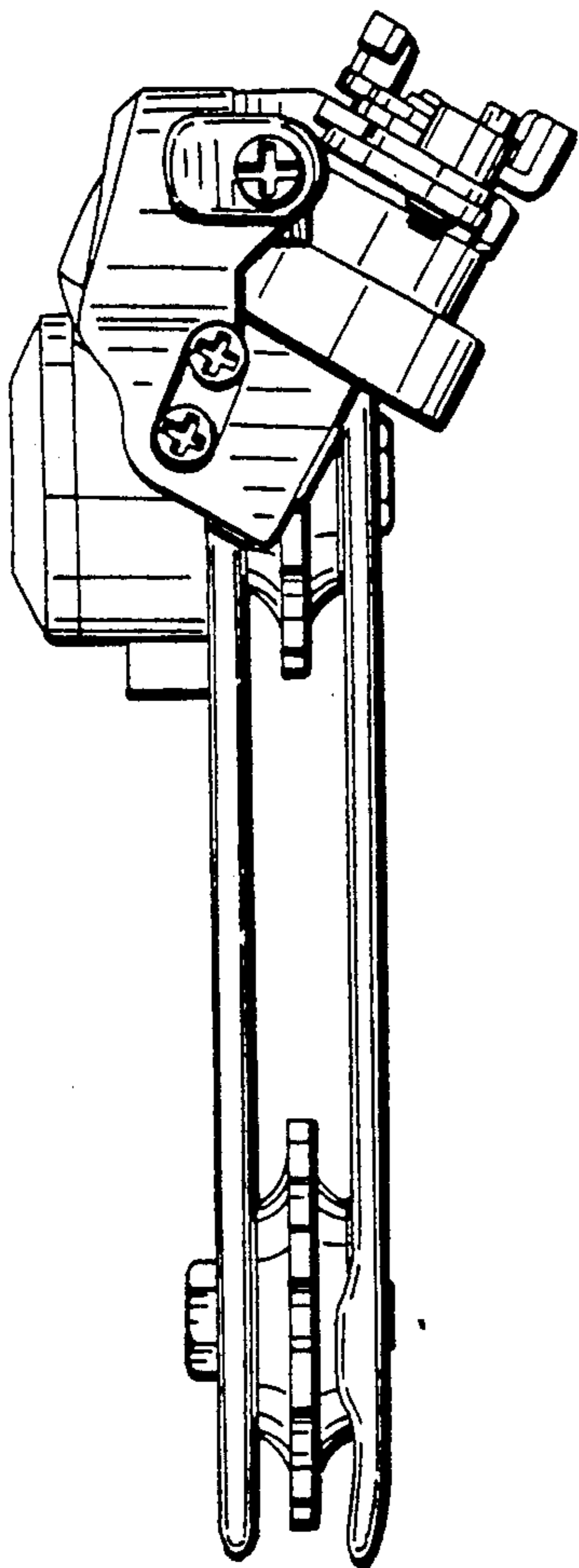


Fig. 6

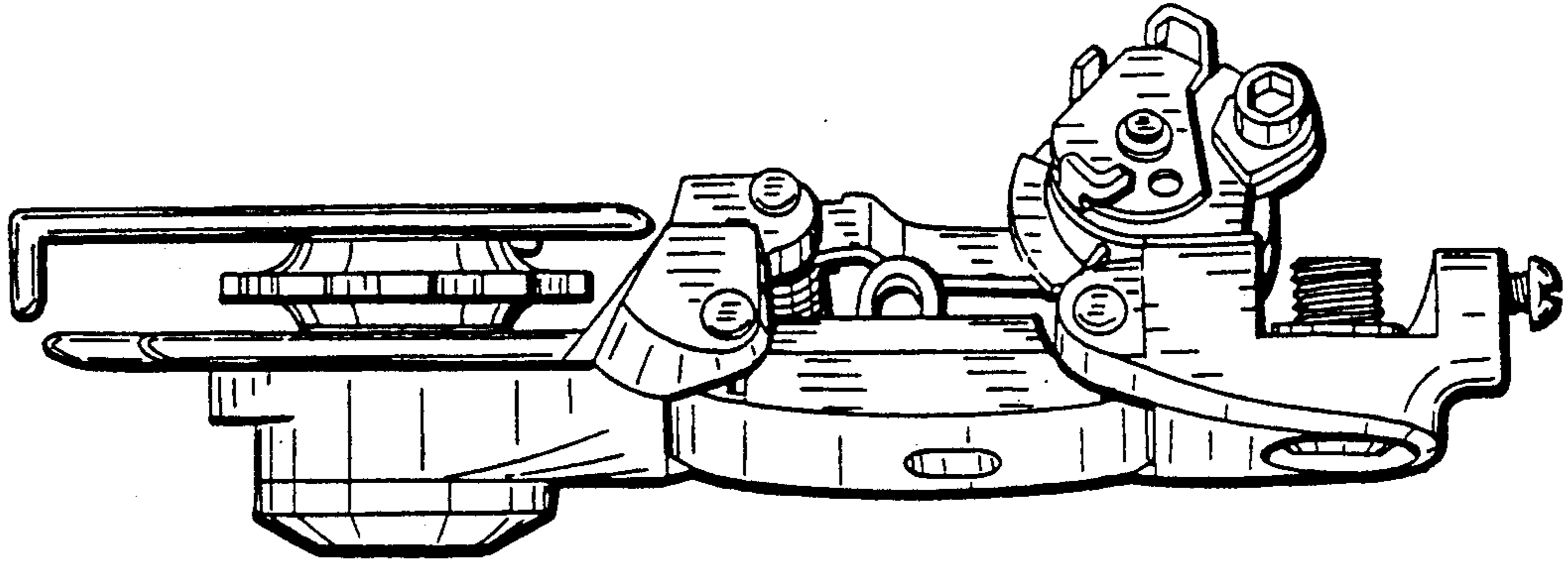


Fig. 7

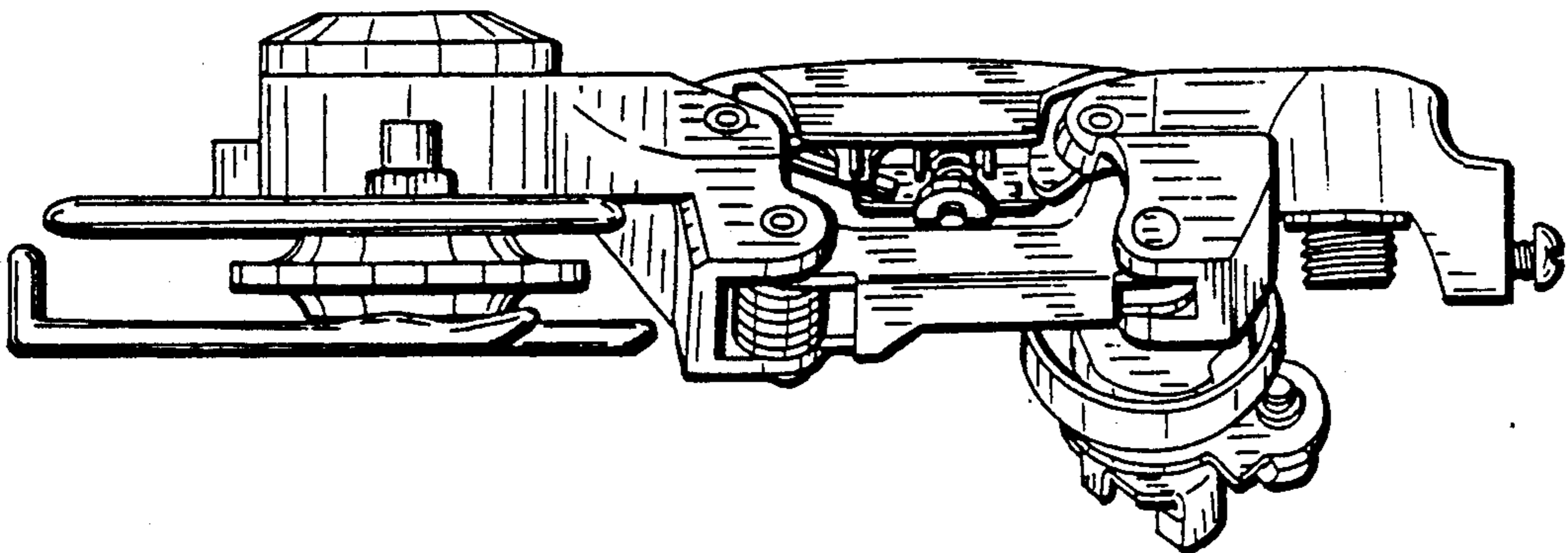


Fig. 8

