



US00D339763S

United States Patent [19]

[11] Patent Number: **Des. 339,763**

Nalbandian

[45] Date of Patent: **** Sep. 28, 1993**

[54] **GEM SETTING**

[75] Inventor: **Gevork Nalbandian, Atwater Village, Calif.**

[73] Assignee: **Pan American Diamond Corporation, New York, N.Y.**

[**] Term: **14 Years**

[21] Appl. No.: **748,397**

[22] Filed: **Aug. 22, 1991**

[52] U.S. Cl. **D11/91; D11/1; D11/86**

[58] Field of Search **D11/1-2, D11/40-50, 91-93, 27-30; 63/1.1, 2, 12-14.8, 15-15.65, 26-31**

[56] **References Cited**

U.S. PATENT DOCUMENTS

D. 278,216	4/1985	Lewis	D11/27
775,030	11/1904	Fairbrother, Jr.	D11/91
795,109	7/1905	Dover	63/26
813,084	2/1906	Dover	D11/91
837,615	12/1906	Dover	D11/91
983,295	2/1911	Lawson	63/26
1,079,924	11/1913	Schuetz	63/26
1,177,893	4/1916	Paye	63/26
2,069,598	2/1937	Arpels	63/26

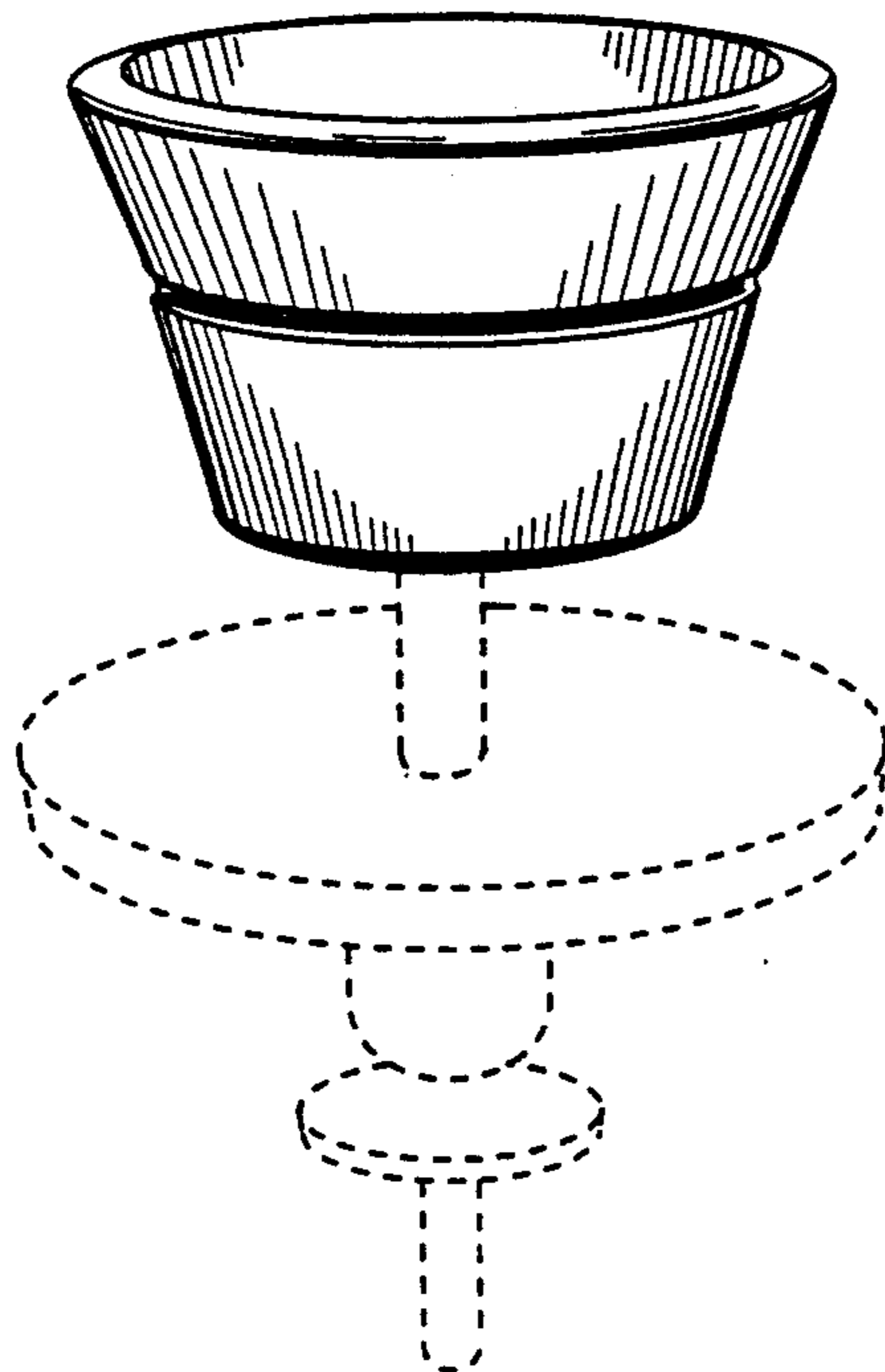
Primary Examiner—A. Hugo Word
Assistant Examiner—R. Seifert
Attorney, Agent, or Firm—Philip H. Gottfried

[57] **CLAIM**

The ornamental design for a gem setting, as shown and described.

DESCRIPTION

FIG. 1 is a perspective view of a gem setting showing my new design;
 FIG. 2 is a side elevational view;
 FIG. 3 is a top plan view;
 FIG. 4 is a bottom plan view;
 FIG. 5 is a reduced side elevational view, the broken line showing of a ring is for illustrative purposes only and forms no part of the claimed design;
 FIG. 6 is a perspective view of a gem setting showing a second embodiment of my new design, all views being the same as shown in FIGS. 1-5, the essential difference being the shape;
 FIG. 7 is a perspective view of a gem setting showing a third embodiment of my new design, all views being the same as shown in FIGS. 1-5, the essential difference being the shape;
 FIG. 8 is a perspective view of a gem setting showing a fourth embodiment of my new design, all views being the same as shown in FIGS. 1-5, the essential difference being the shape; and
 FIG. 9 is a perspective view of a gem setting showing a fifth embodiment of my new design, all views being the same as shown in FIGS. 1-5, the essential difference being the shape.
 The broken line showing of attaching elements in FIGS. 1 through 4 and a post in FIGS. 6 through 9 are for illustrative purposes only and forms no part of the claimed design.



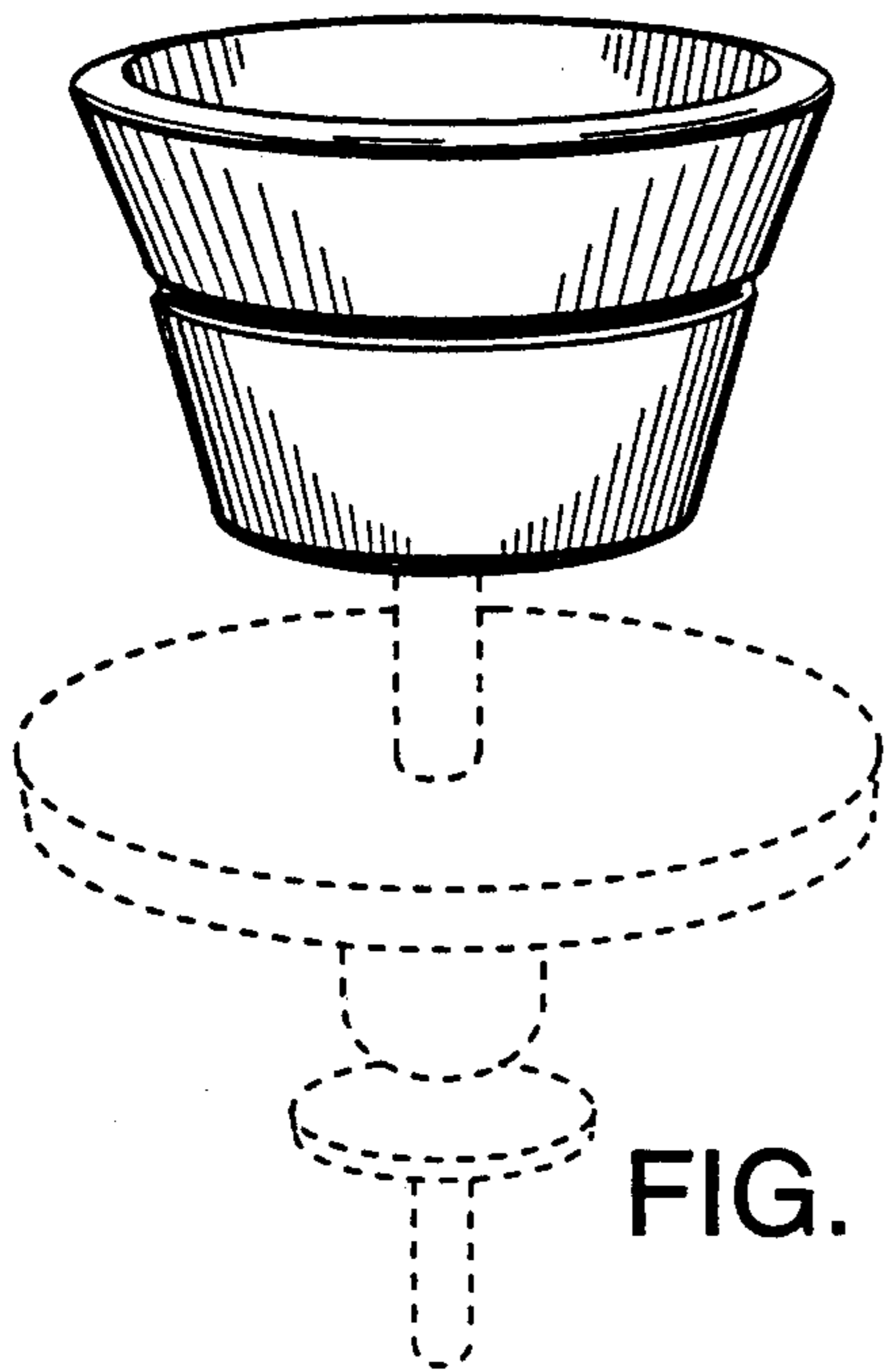


FIG. 1

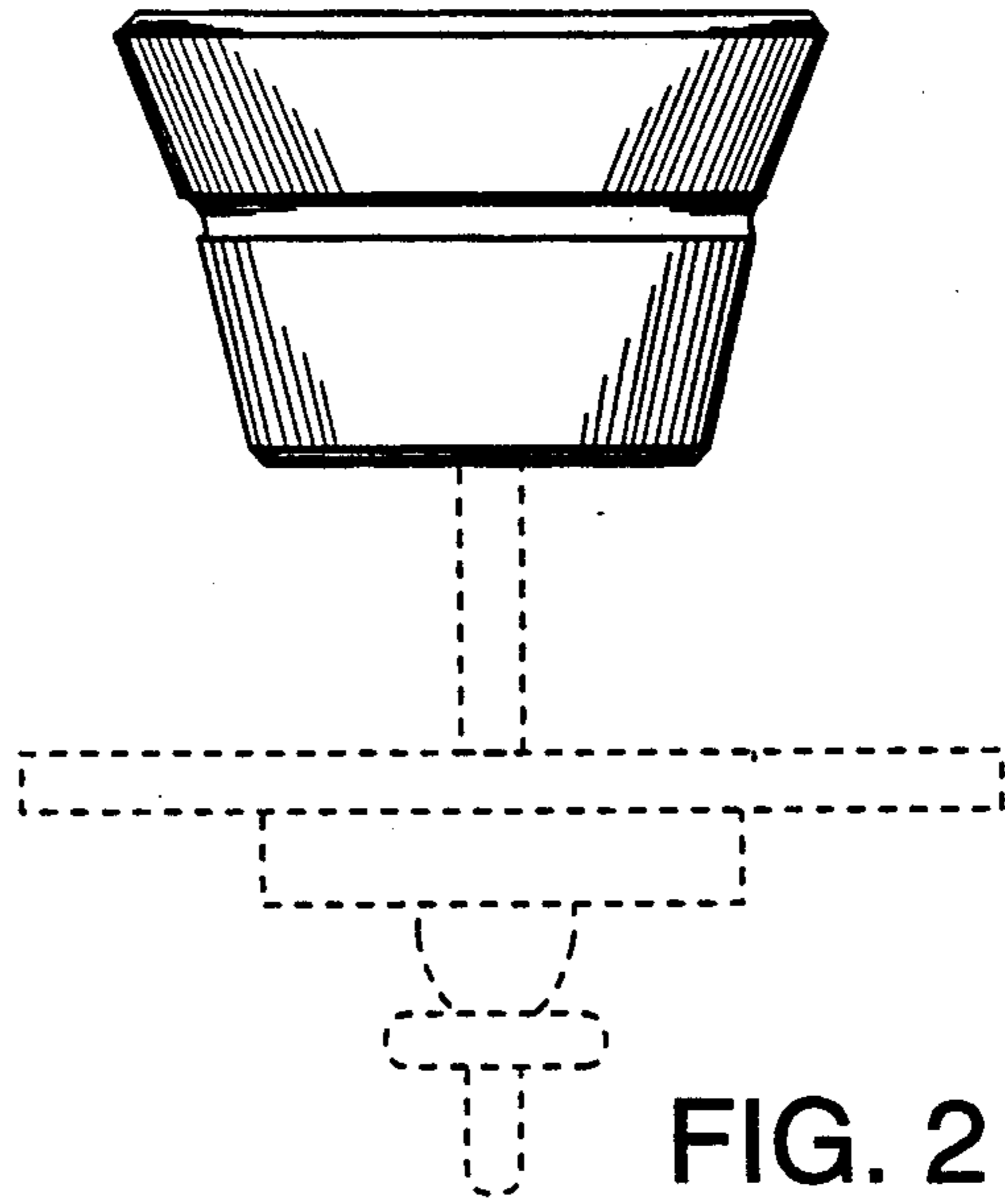


FIG. 2

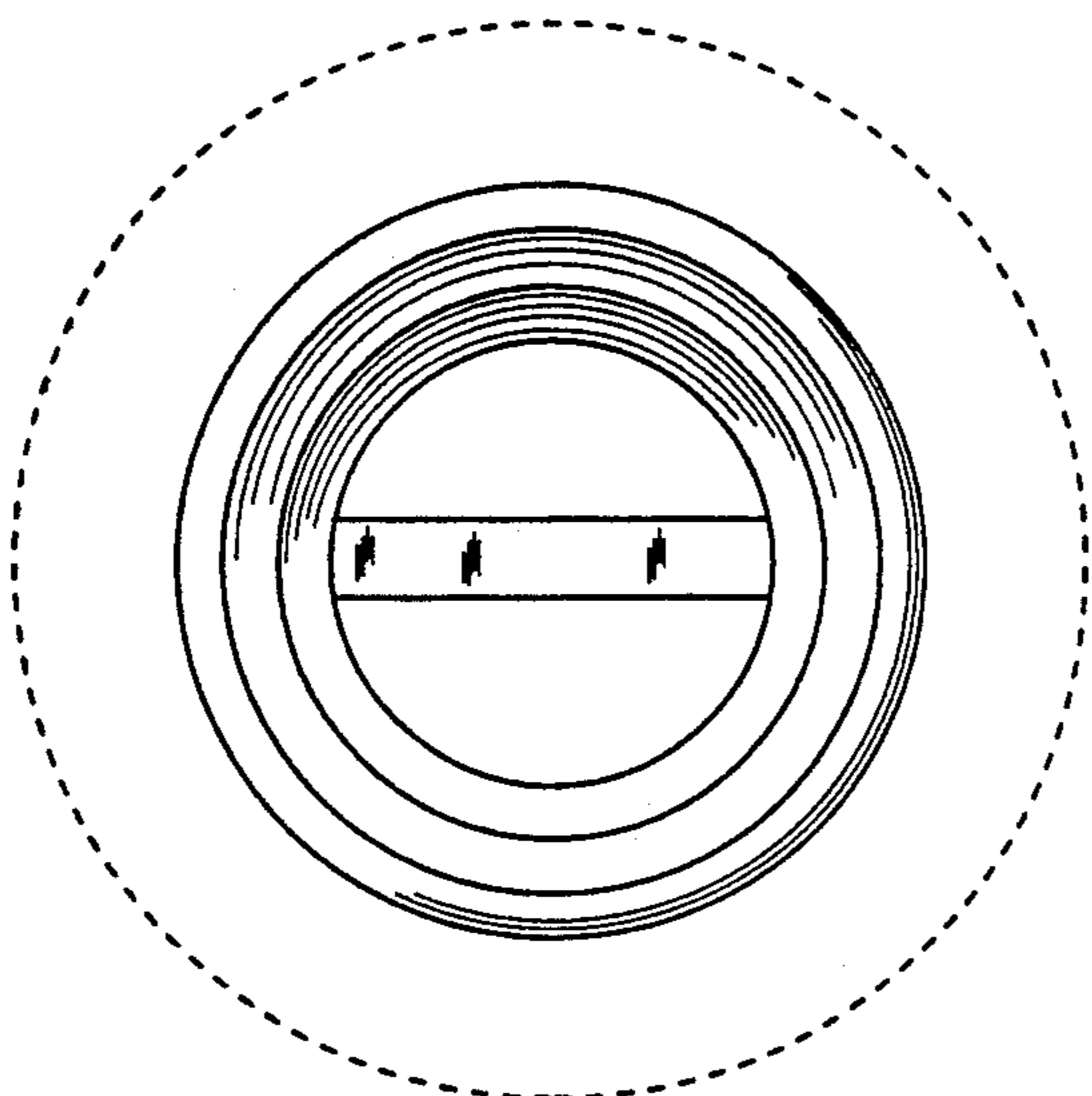


FIG. 3

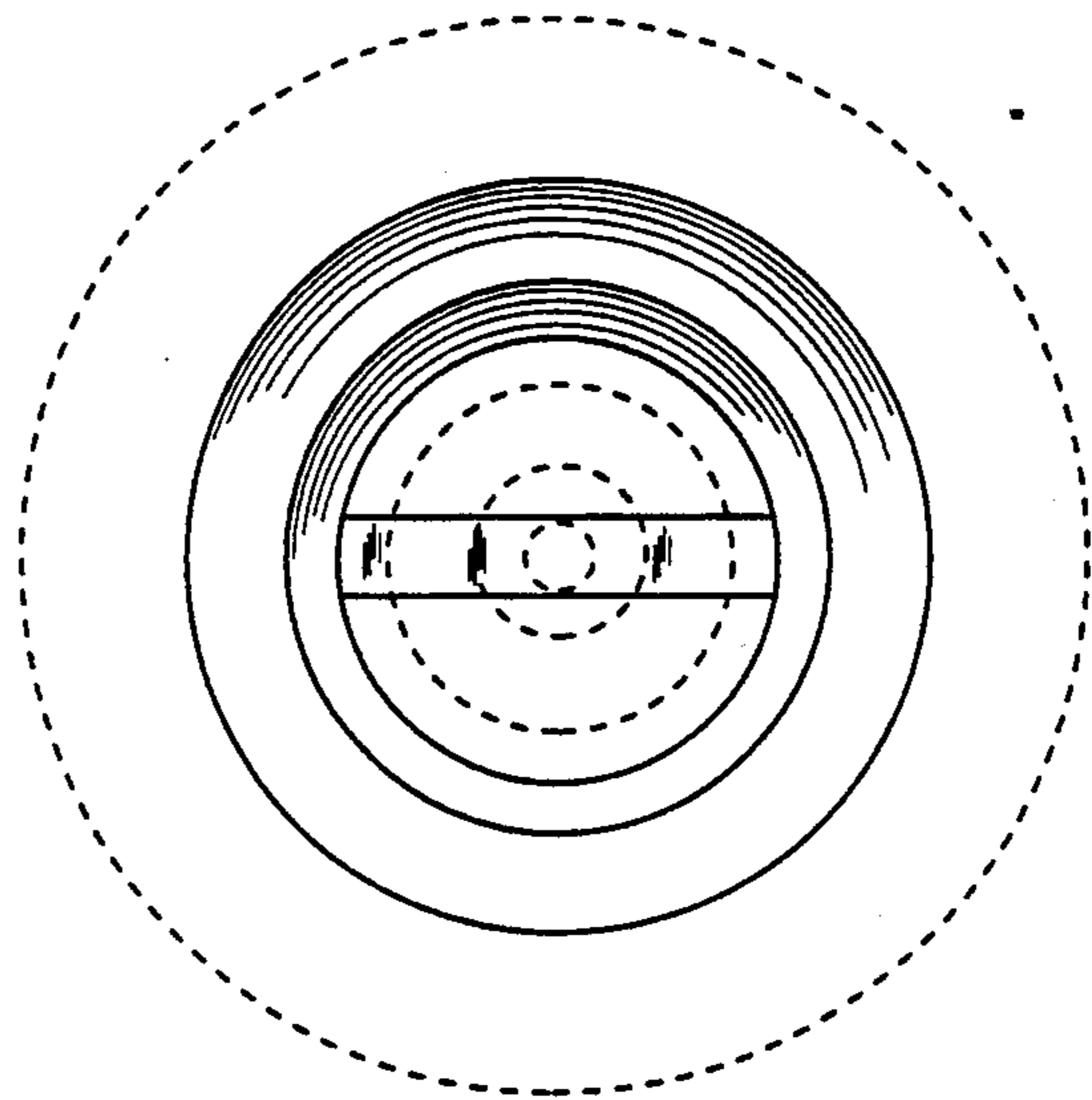


FIG. 4

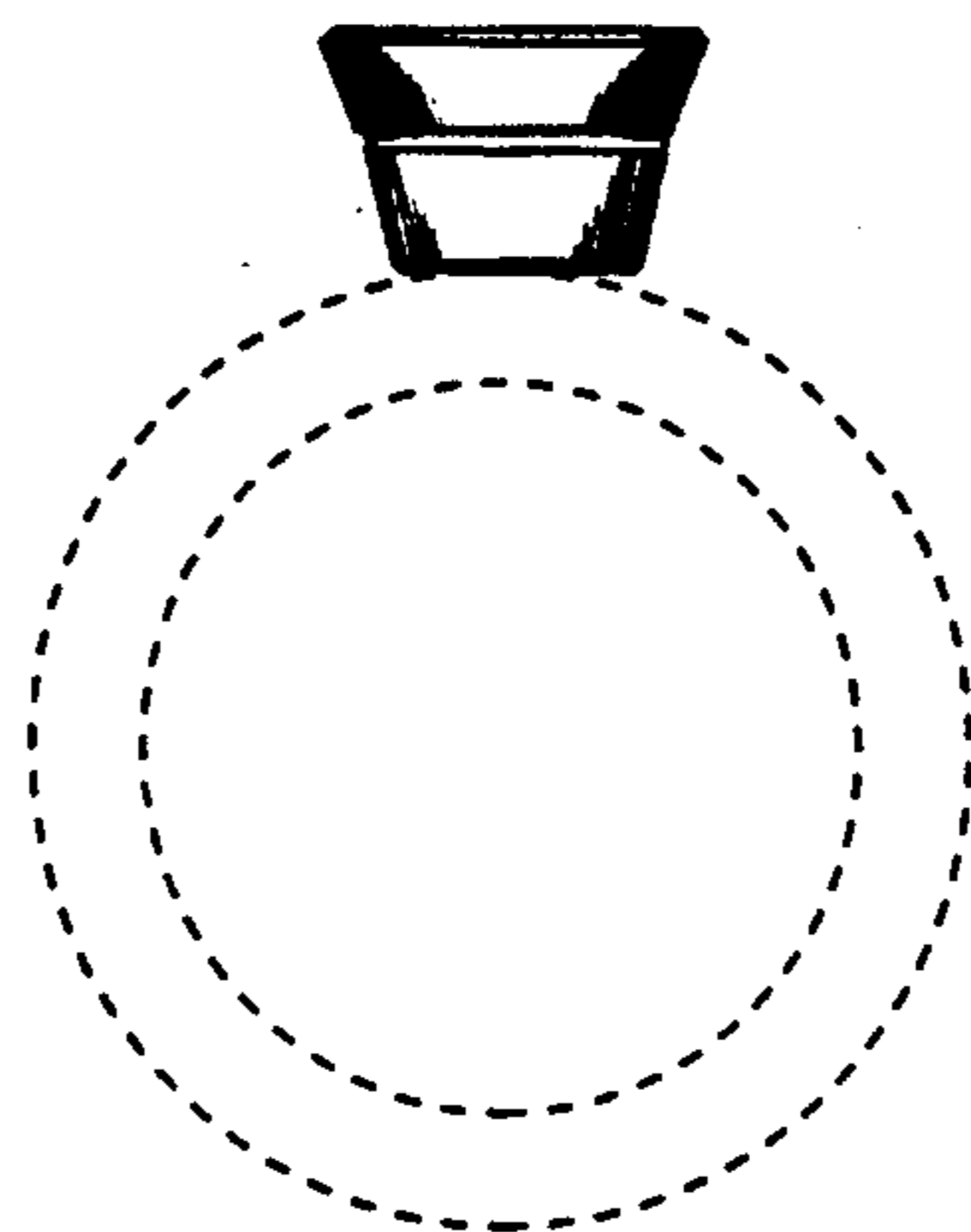


FIG. 5

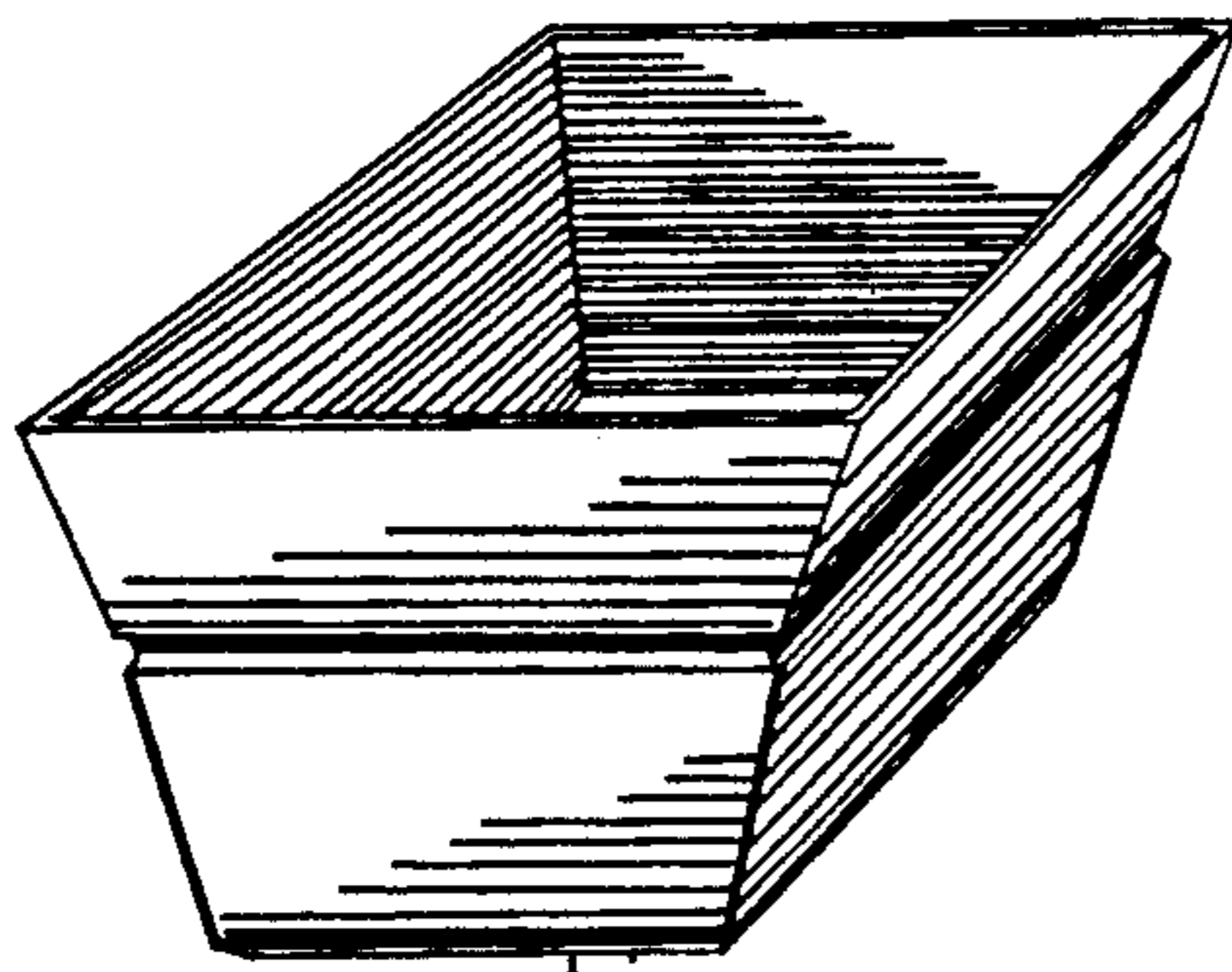


FIG. 6

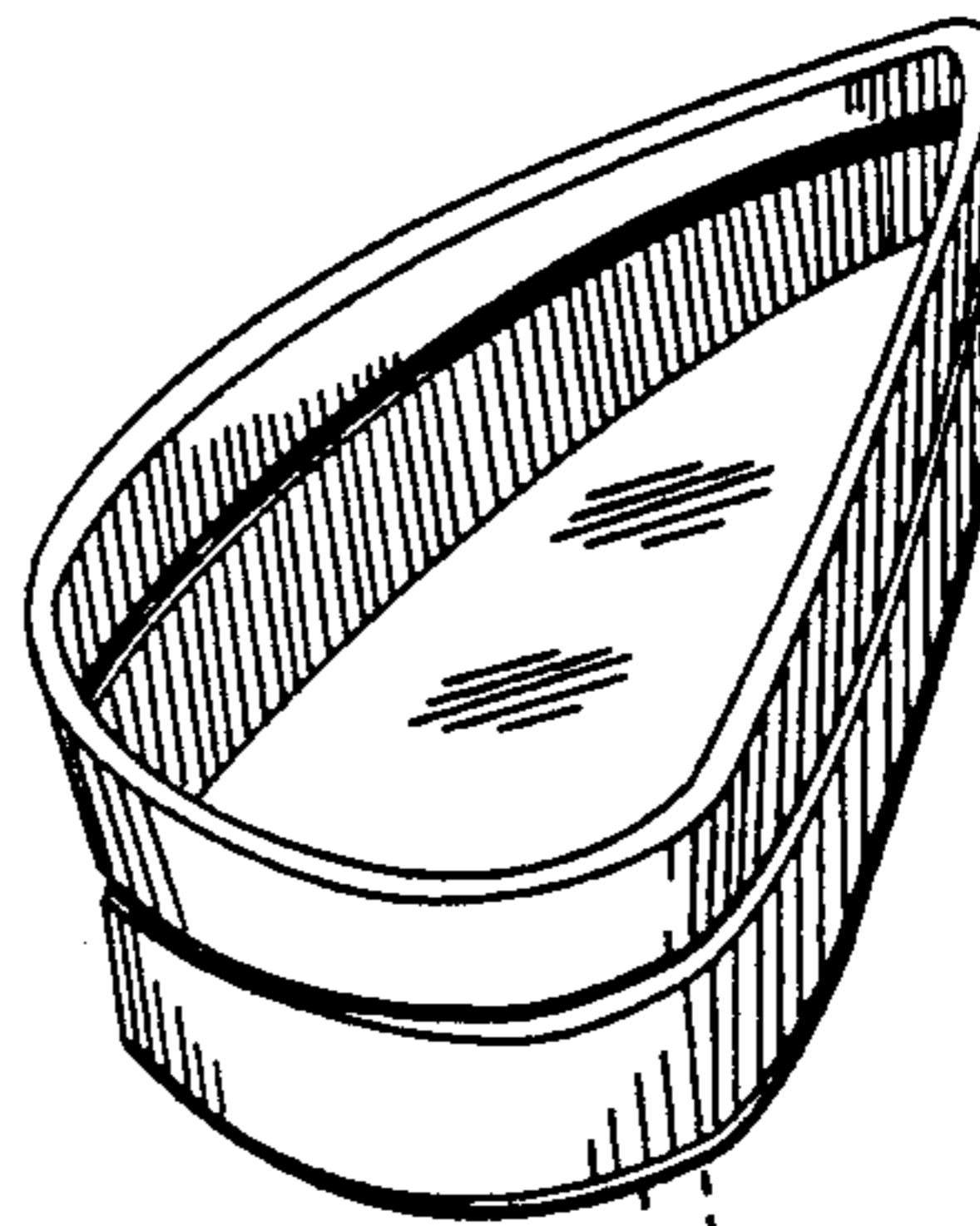


FIG. 7

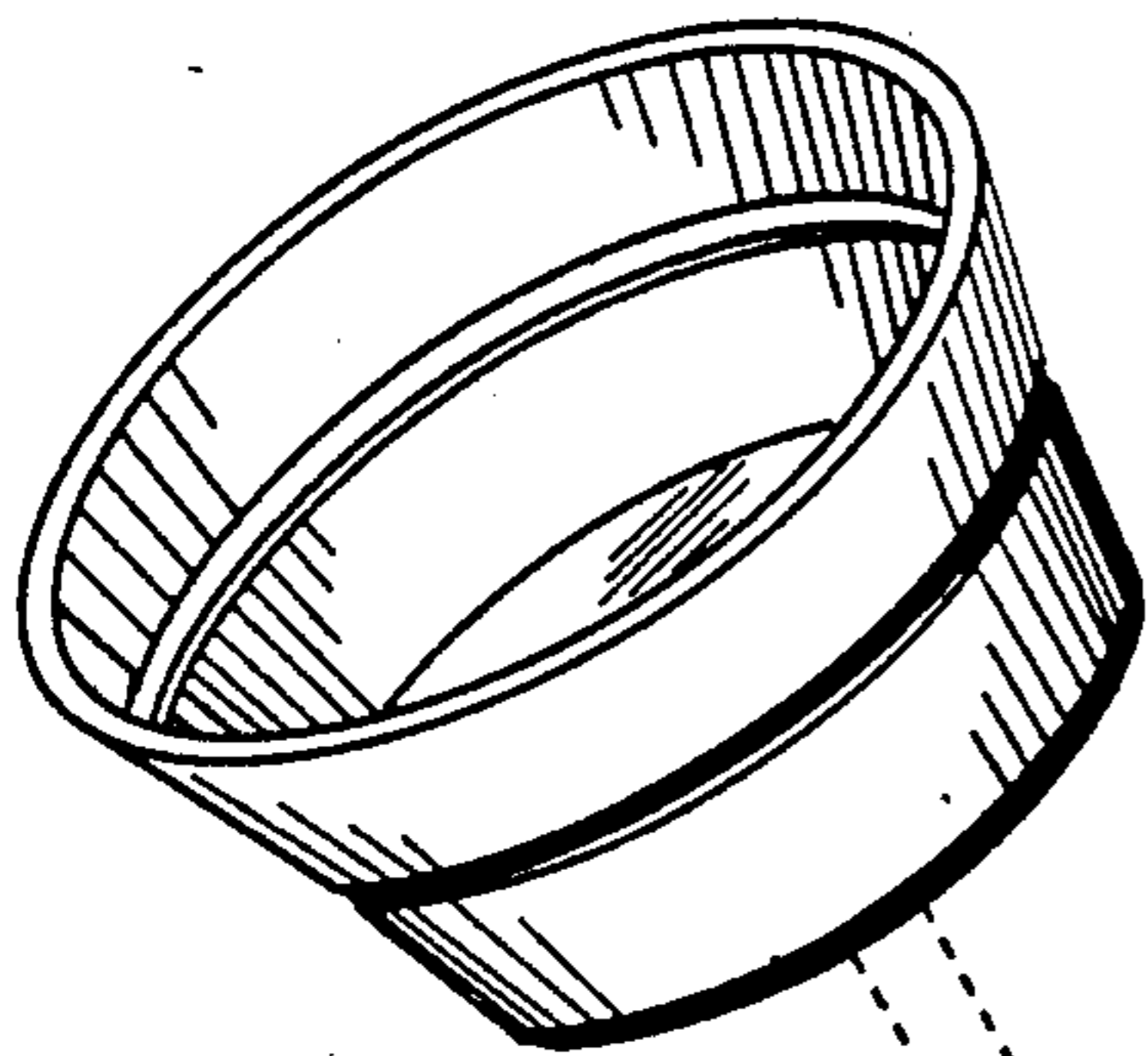


FIG. 8

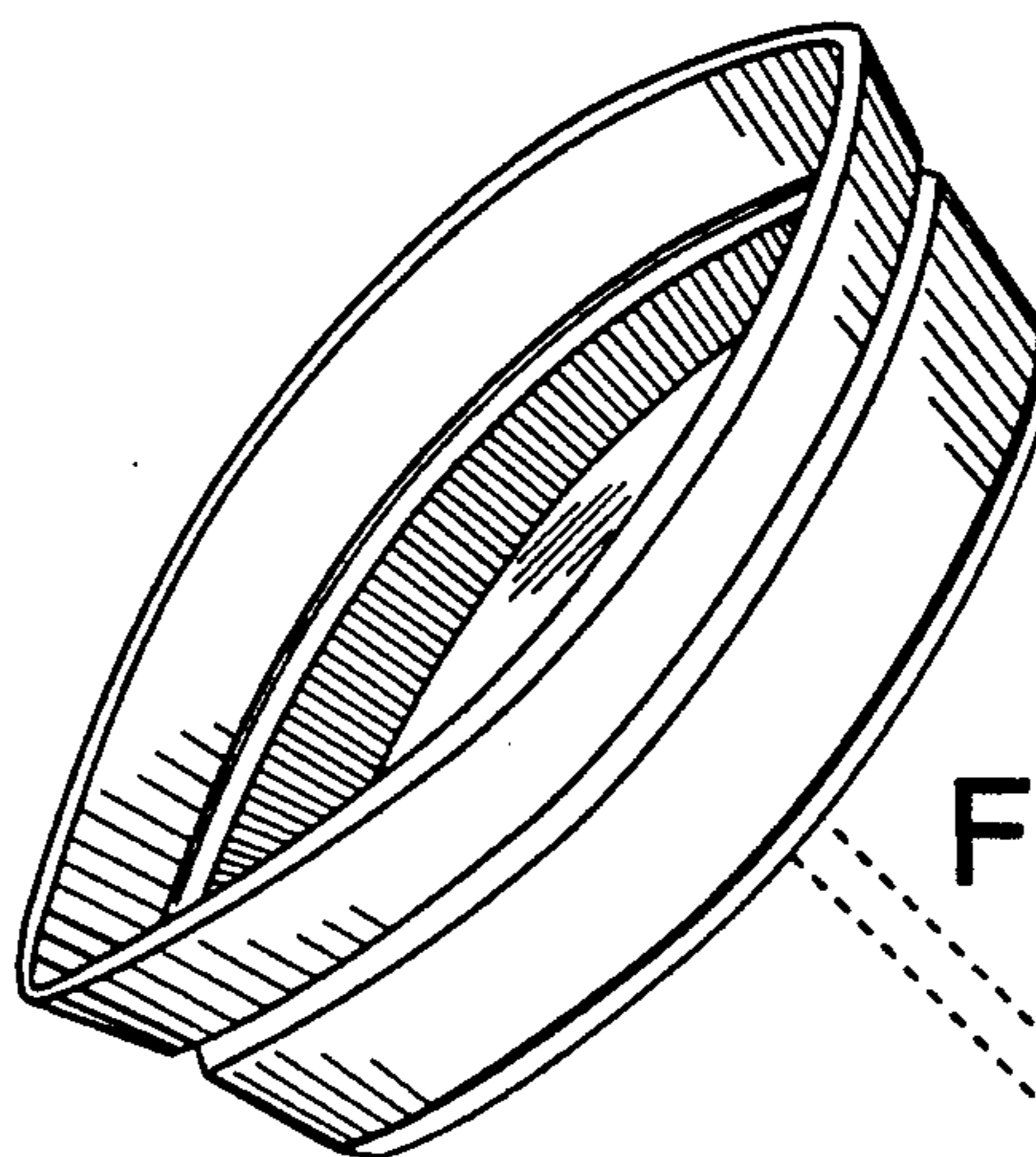


FIG. 9