



US00D339759S

# United States Patent [19]

[11] Patent Number: **Des. 339,759**

Ho

[45] Date of Patent: **\*\* Sep. 28, 1993**

[54] **PASSIVE INFRA RED DETECTOR**

[56] **References Cited**

[75] Inventor: **Patrick T. Ho, Kwai Chung, Hong Kong**

**U.S. PATENT DOCUMENTS**

D. 302,951 8/1989 Kotlicki et al. .... D10/106  
D. 302,952 8/1989 Soloway et al. .... D10/106

[73] Assignee: **Std Electronic International Ltd., Hong Kong, Hong Kong**

*Primary Examiner*—Alan P. Douglas  
*Assistant Examiner*—Antoine D. Davis  
*Attorney, Agent, or Firm*—Burns, Doane, Swecker & Mathis

[\*\*] Term: **14 Years**

[57] **CLAIM**

[21] Appl. No.: **903,658**

The ornamental design for a passive infra red detector, as shown and described.

[22] Filed: **Jun. 24, 1992**

**DESCRIPTION**

[30] **Foreign Application Priority Data**

Jan. 6, 1992 [GB] United Kingdom ..... 2020029

[52] U.S. Cl. .... **D10/106**

[58] Field of Search ..... D10/104, 106; 340/500, 340/506, 540, 541, 573, 574, 575, 576, 577, 578, 584-600

FIG. 1 is the front elevational view showing my new design;

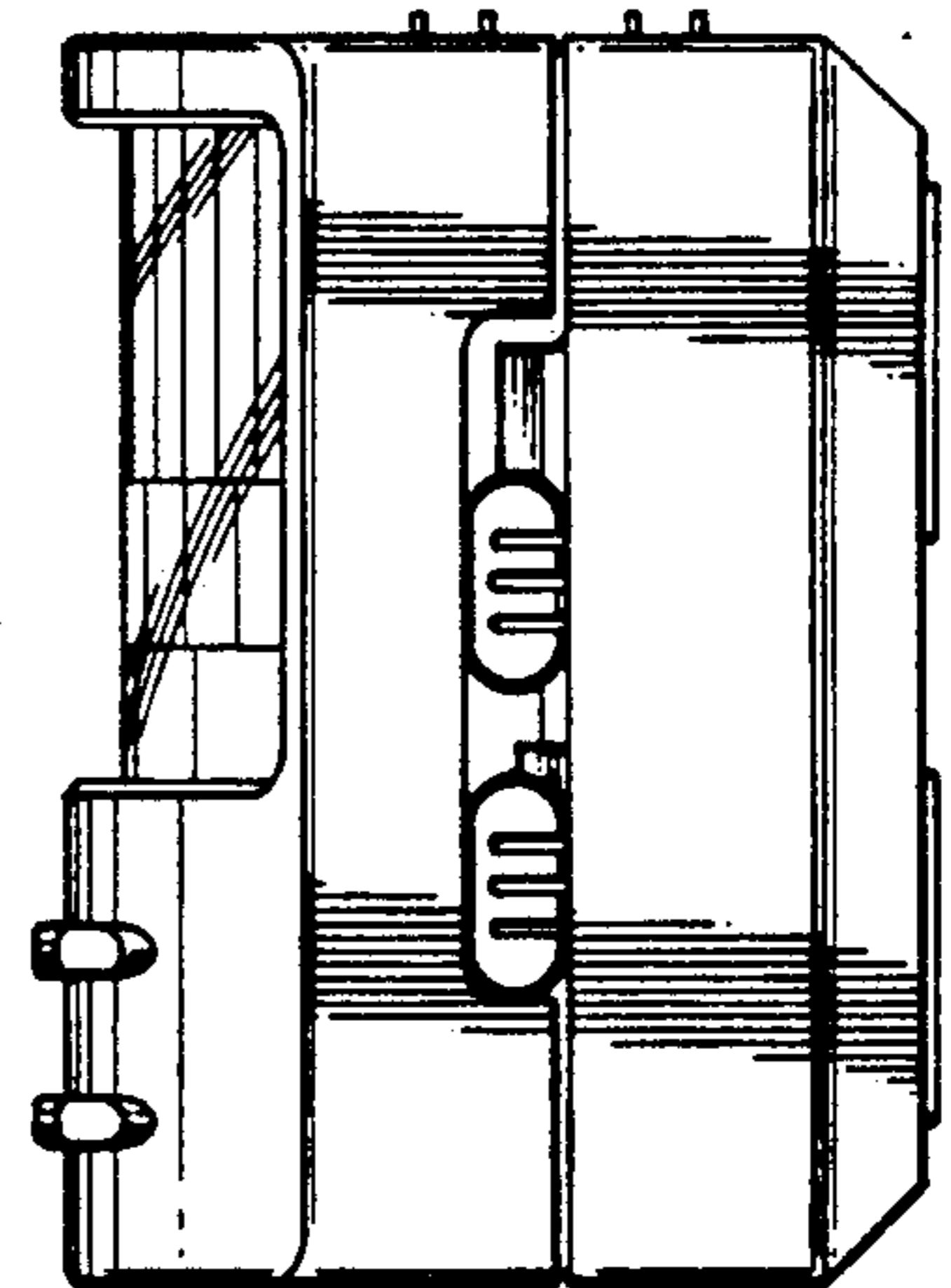
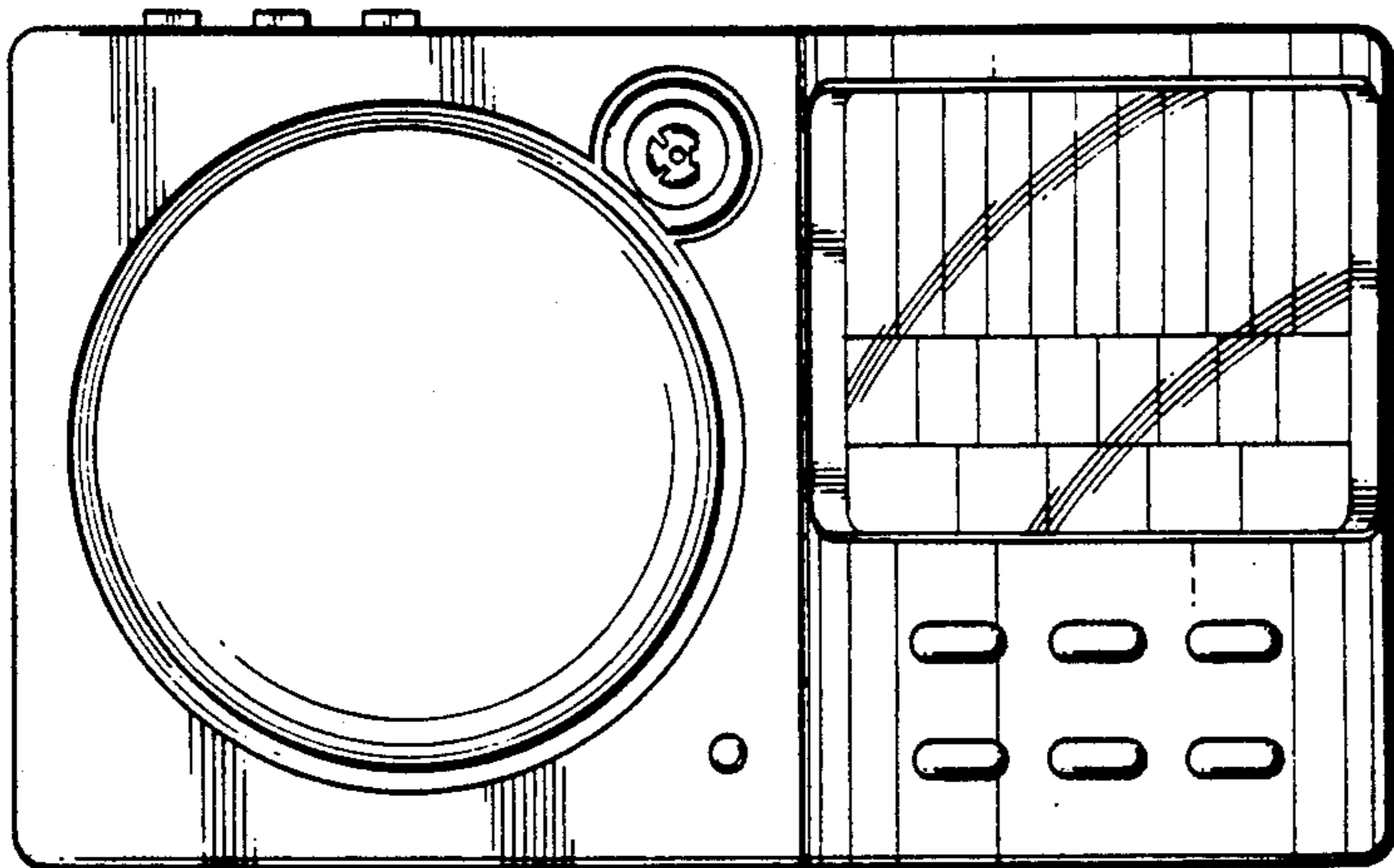
FIG. 2 is the rear elevational view thereof;

FIG. 3 is the left side view thereof;

FIG. 4 is the right side view thereof;

FIG. 5 is the top plan view thereof; and,

FIG. 6 is the bottom plan view thereof.



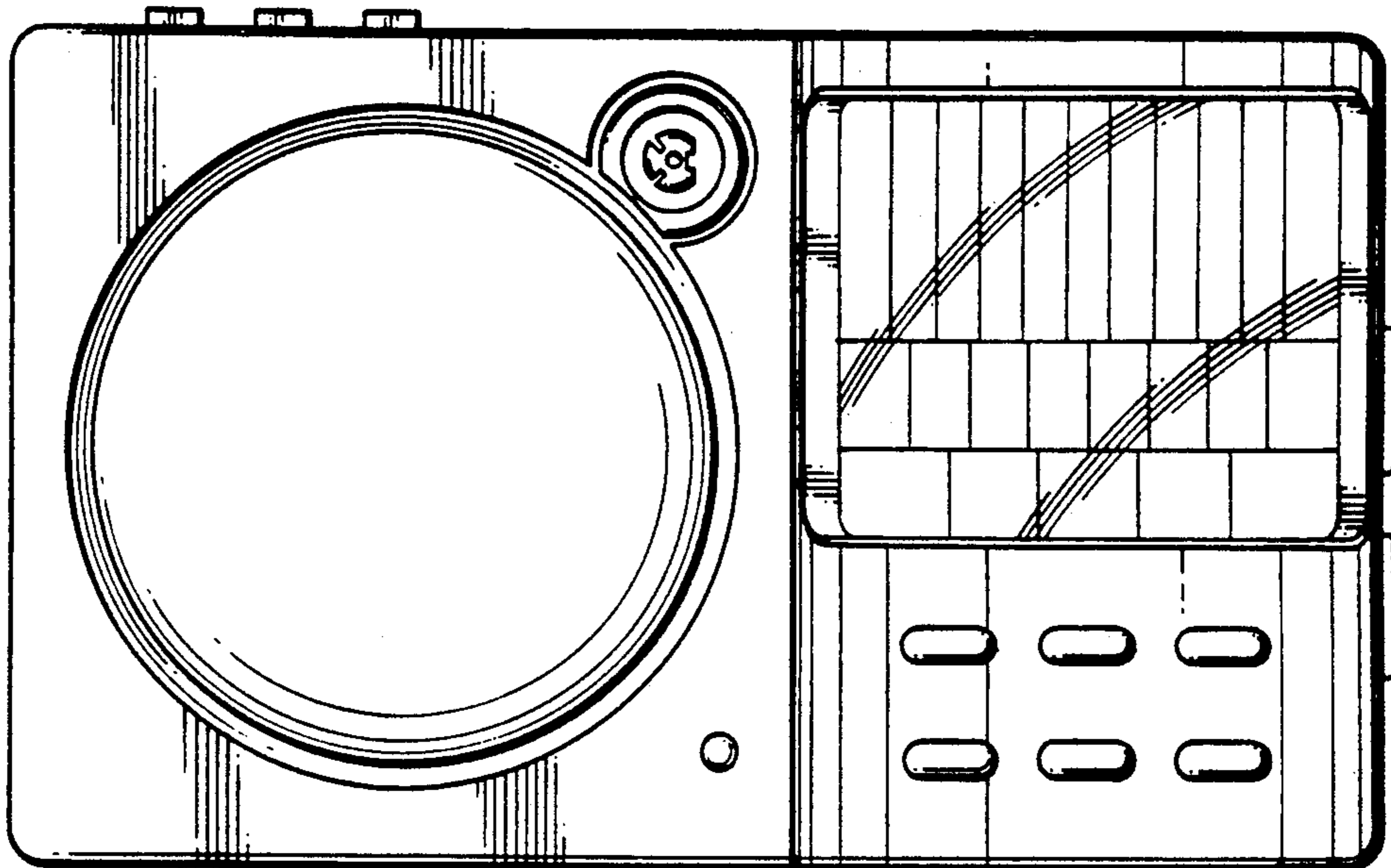


FIG. 1

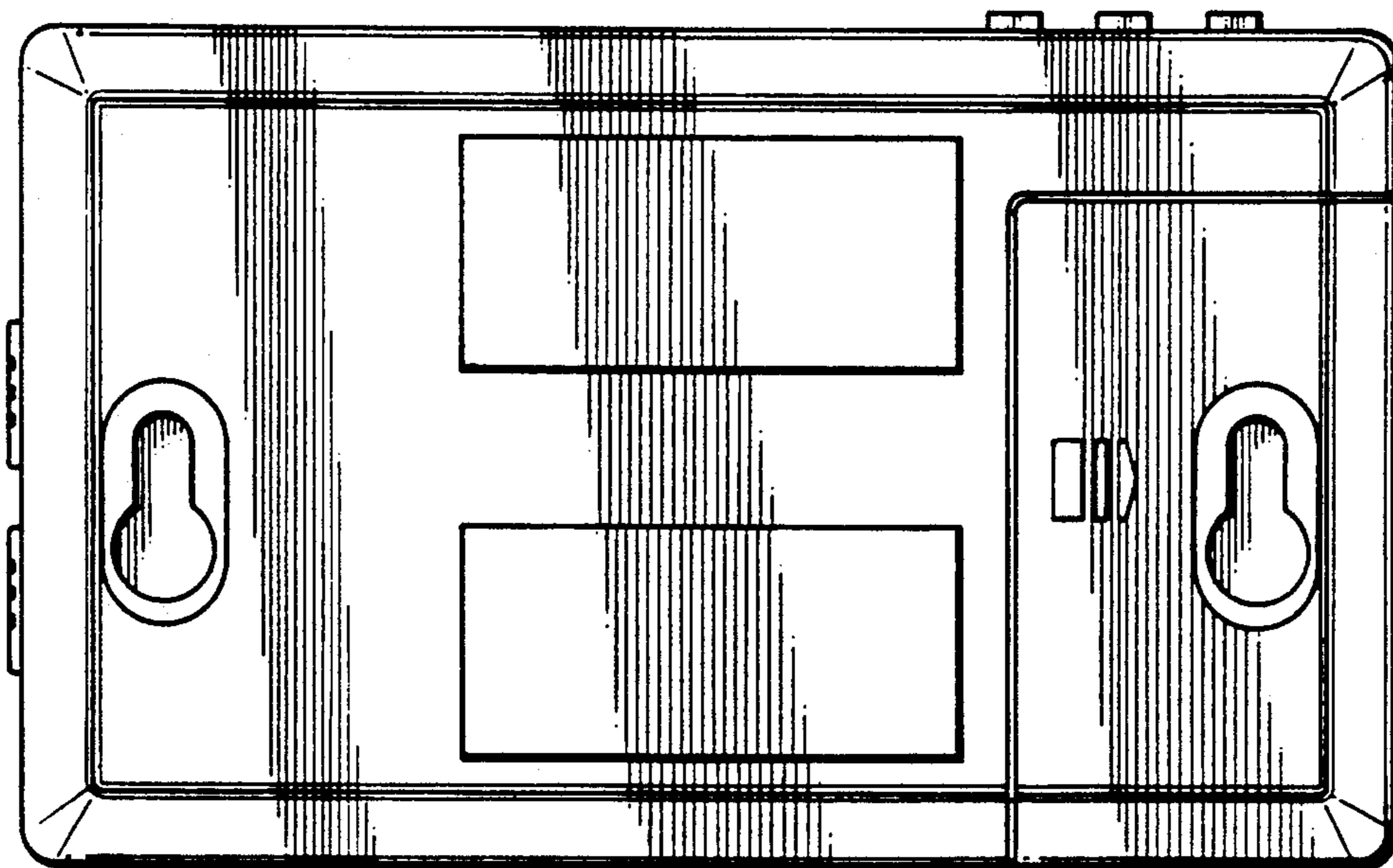


FIG. 2

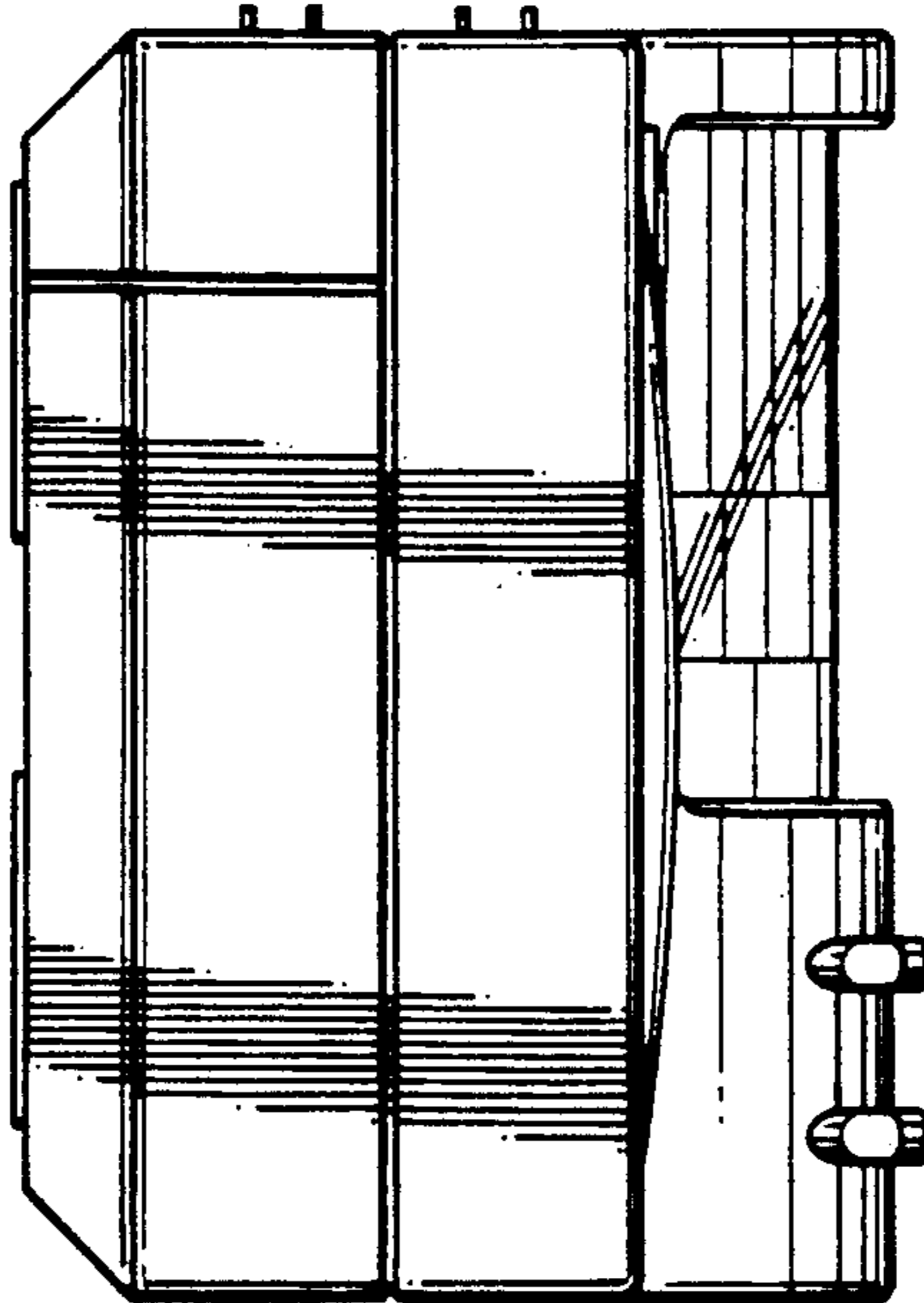


FIG. 3

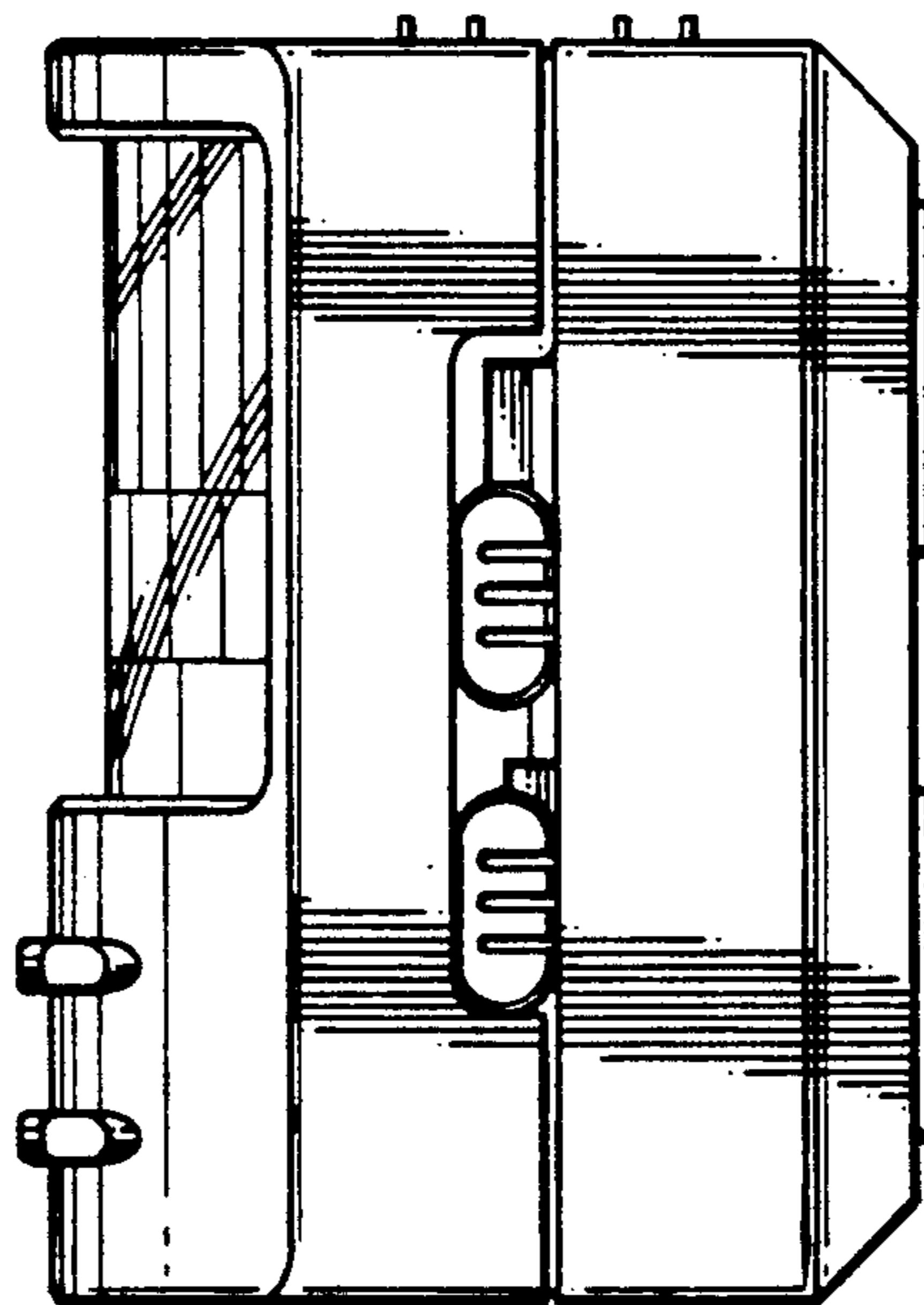


FIG. 4

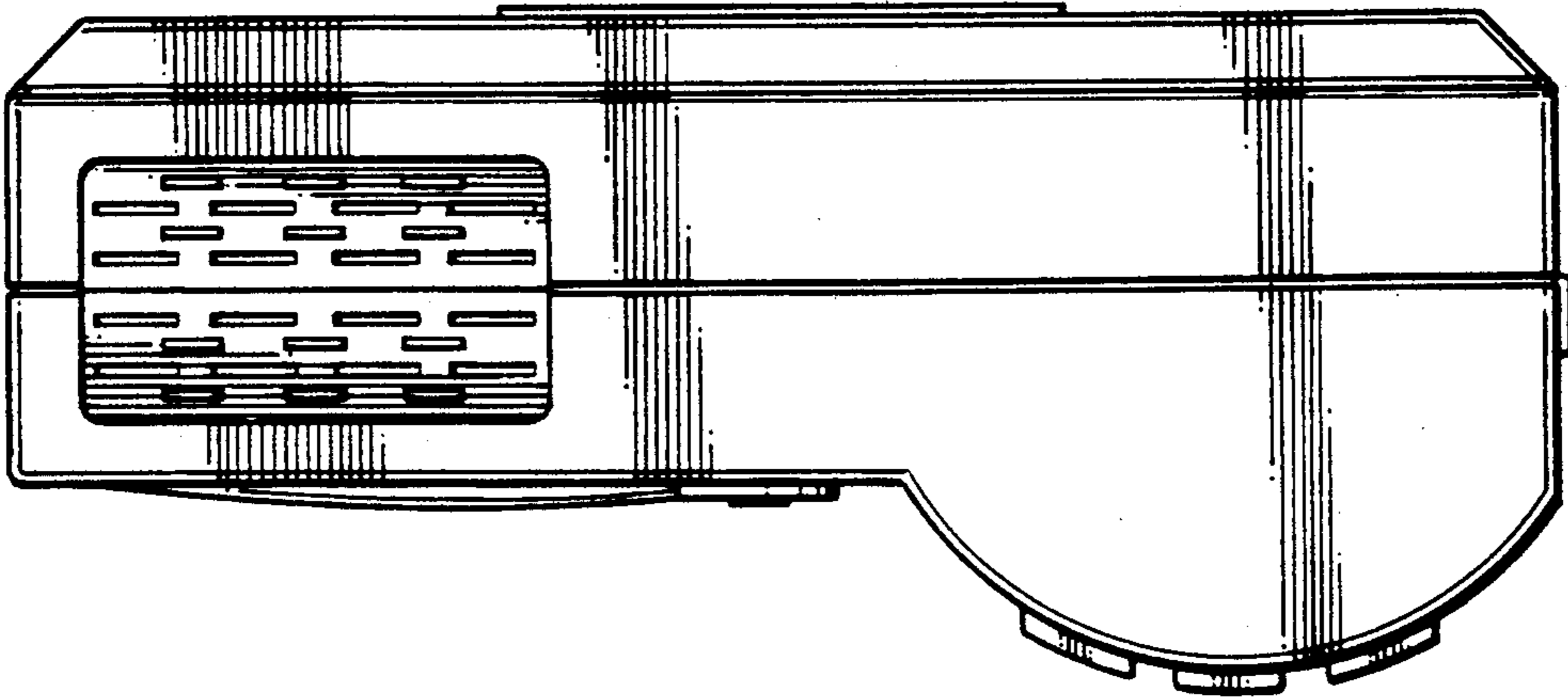


FIG. 5

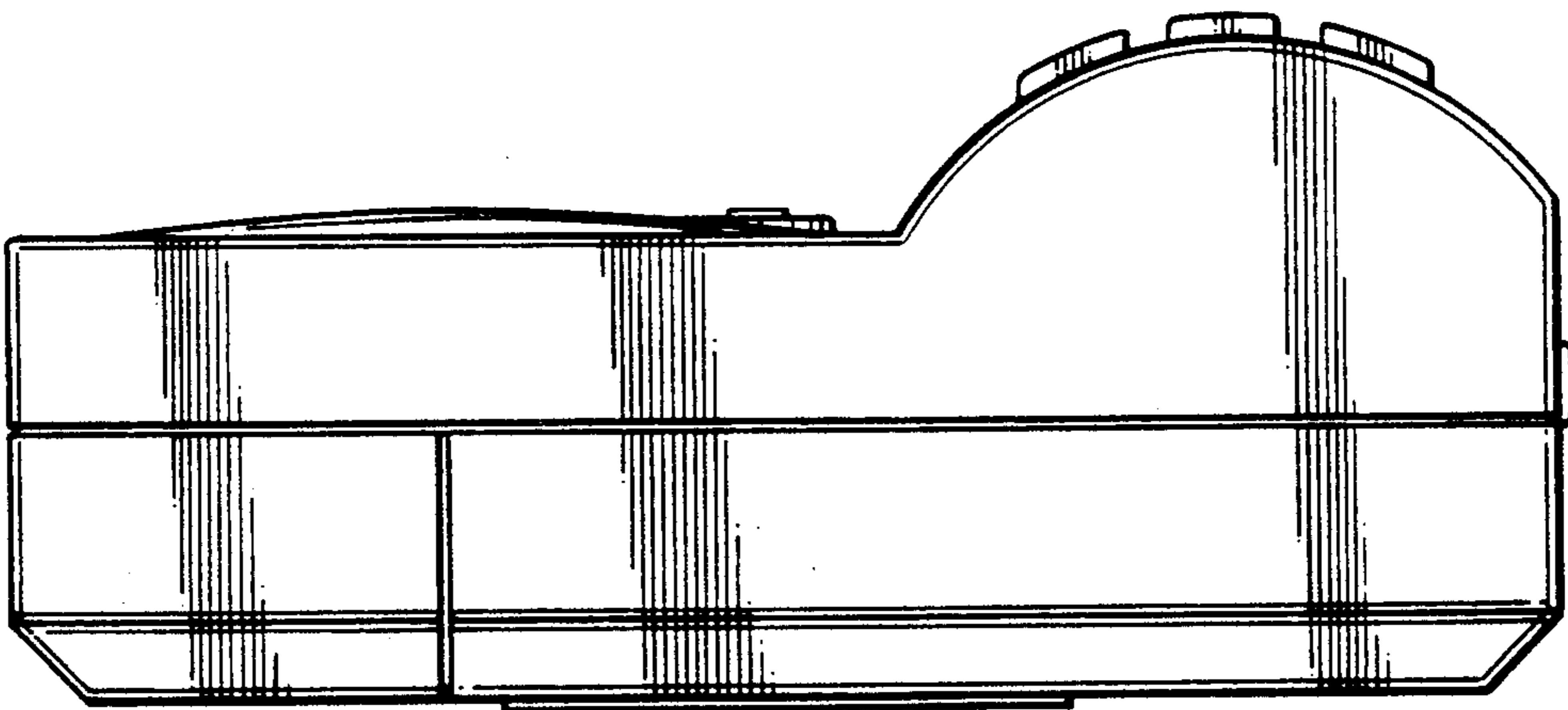


FIG. 6