



US00D339757S

# United States Patent [19]

Feeney

[11] Patent Number: **Des. 339,757**

[45] Date of Patent: **\*\* Sep. 28, 1993**

[54] **COMBINED TRANSMITTER AND RECEIVER FOR A CHILD LOCATOR**

[76] Inventor: **Michael P. Feeney, 40 Terrace Ave., Maywood, N.J. 07607**

[\*\*] Term: **14 Years**

[21] Appl. No.: **735,749**

[22] Filed: **Jul. 25, 1991**

[52] U.S. Cl. .... **D10/106**

[58] Field of Search ..... **D10/104, 106, 121; D14/155; 340/328, 571-573, 689**

[56] **References Cited**

**U.S. PATENT DOCUMENTS**

- D. 309,119 7/1990 Kremitzki ..... D10/104
- D. 310,664 9/1990 Murphy ..... D14/159 X
- D. 312,222 11/1990 Sawyer ..... D14/159 X
- 4,837,559 6/1989 Green ..... 340/573

- 4,888,580 12/1989 Distel ..... 340/573
- 4,899,135 2/1990 Ghaharijan ..... 340/573

*Primary Examiner*—Terry A. Pfeffer Wallace  
*Attorney, Agent, or Firm*—Terry M. Gernstein

[57] **CLAIM**

The ornamental design for a combined transmitter and receiver for a child locator, as shown and described.

**DESCRIPTION**

FIG. 1 is an exploded perspective view of the combined transmitter and receiver for a child locator showing my new design;

FIG. 2 is a front elevational view thereof;

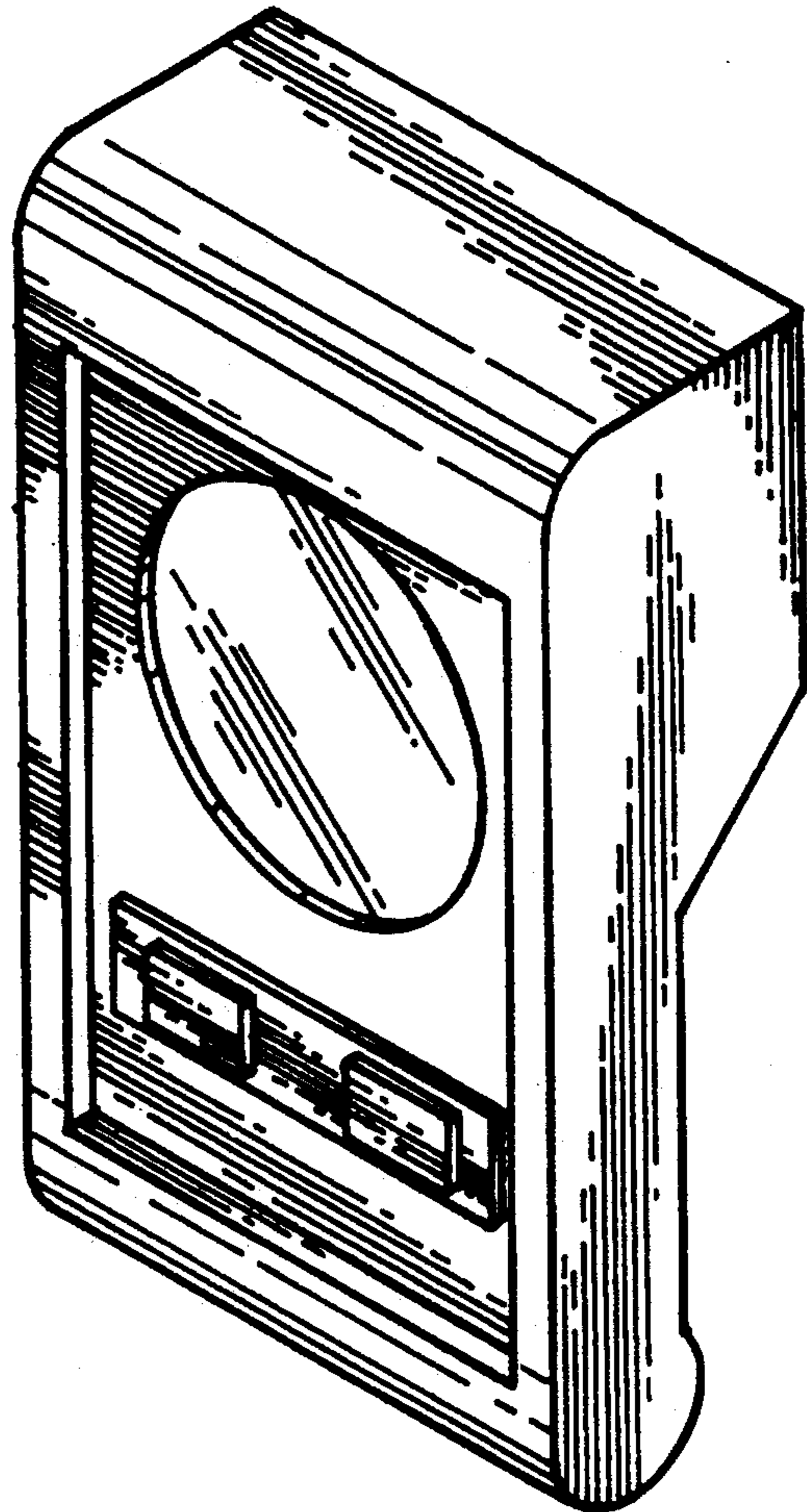
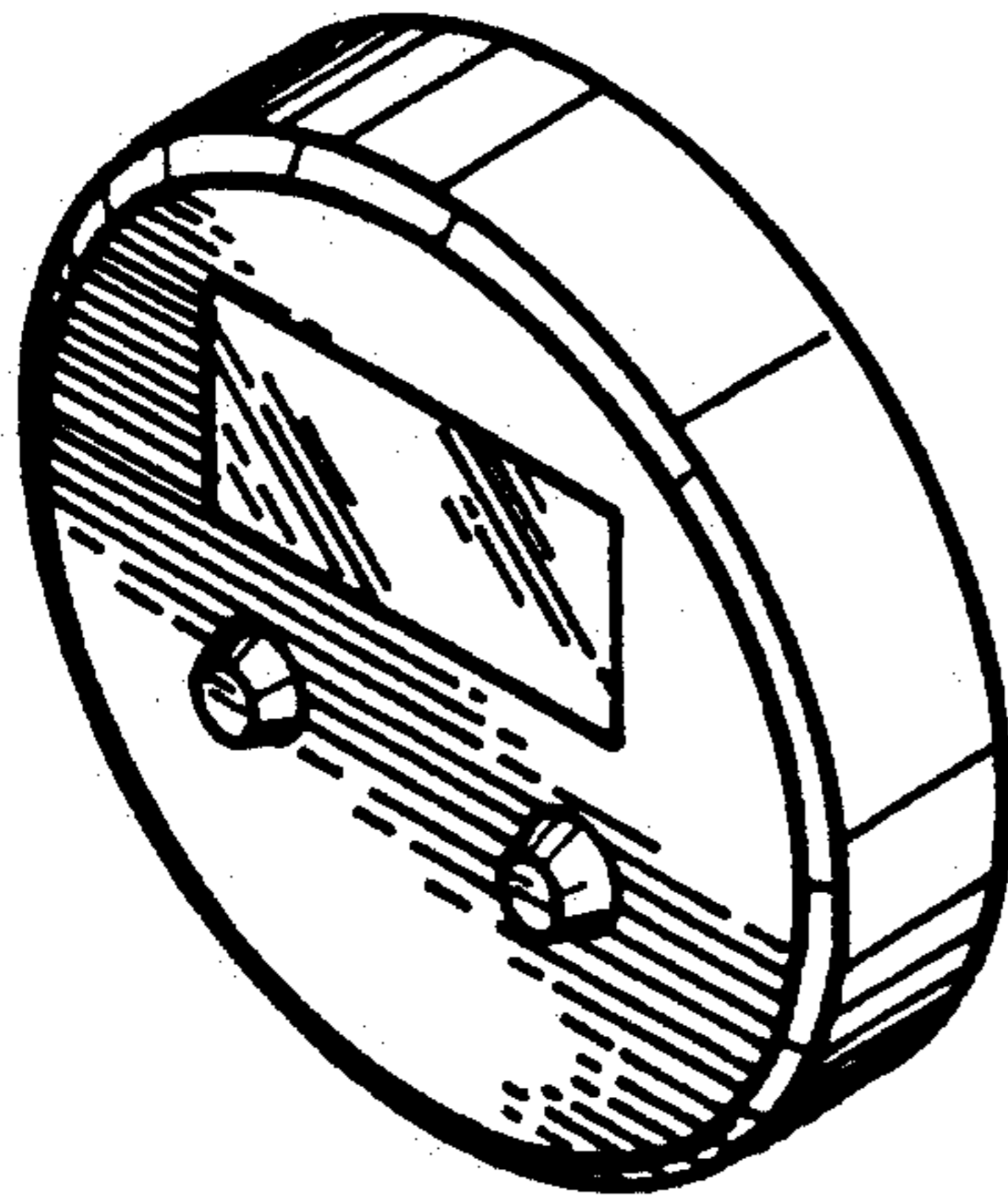
FIG. 3 is a rear elevational view thereof;

FIG. 4 is a side elevational view thereof;

FIG. 5 is a side elevational view thereof;

FIG. 6 is a top view thereof; and,

FIG. 7 is a bottom view thereof.



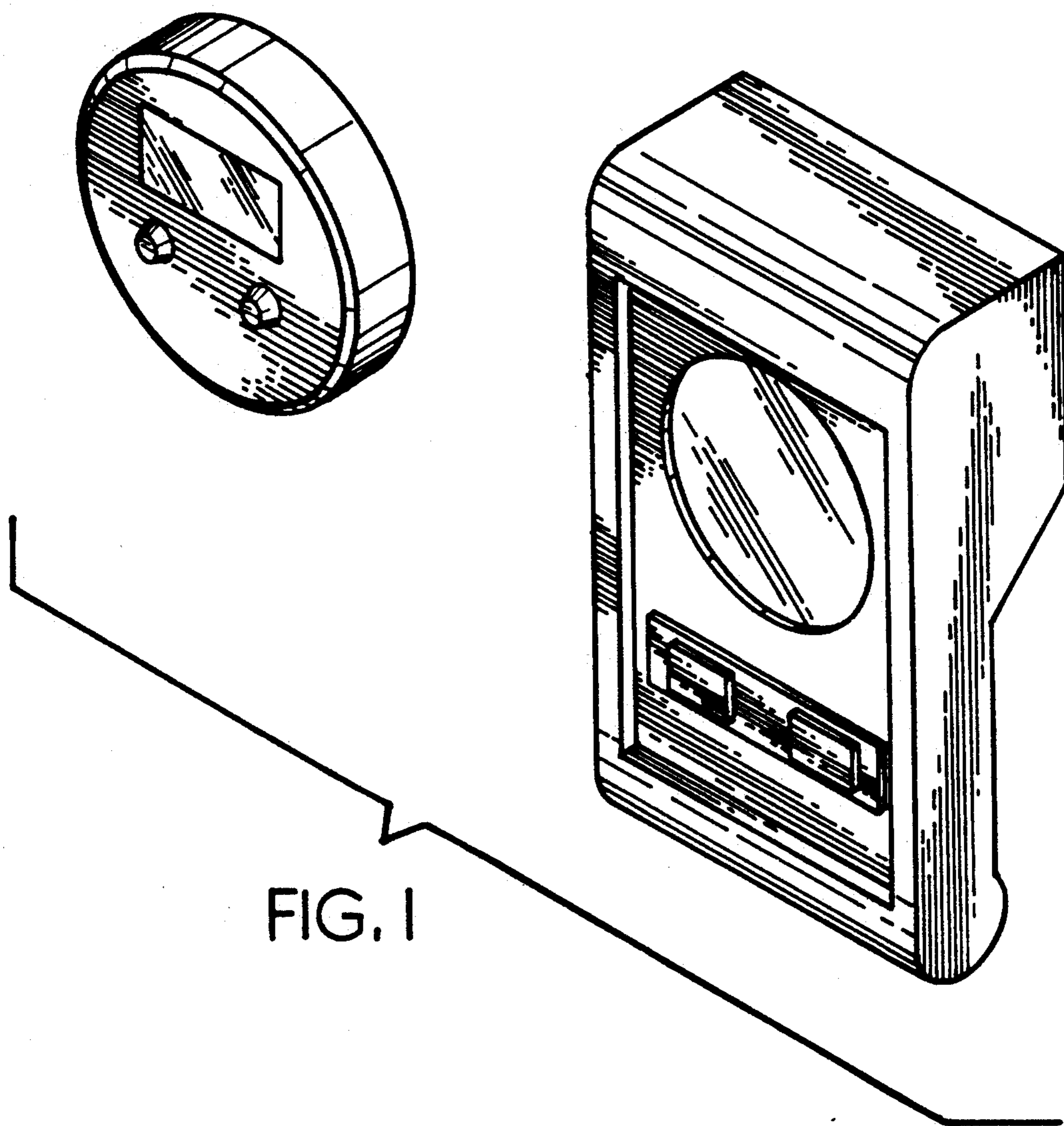


FIG. 1

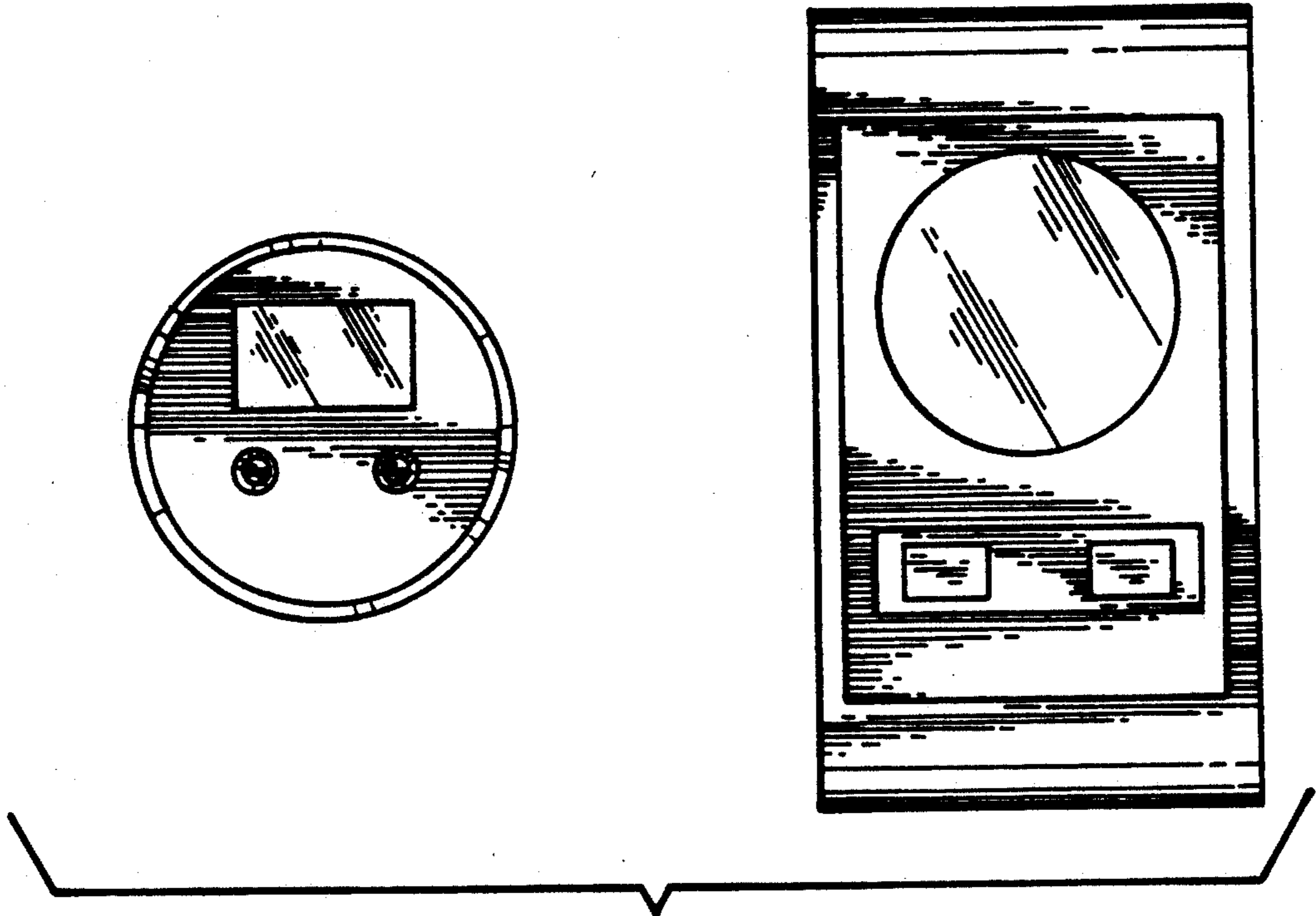
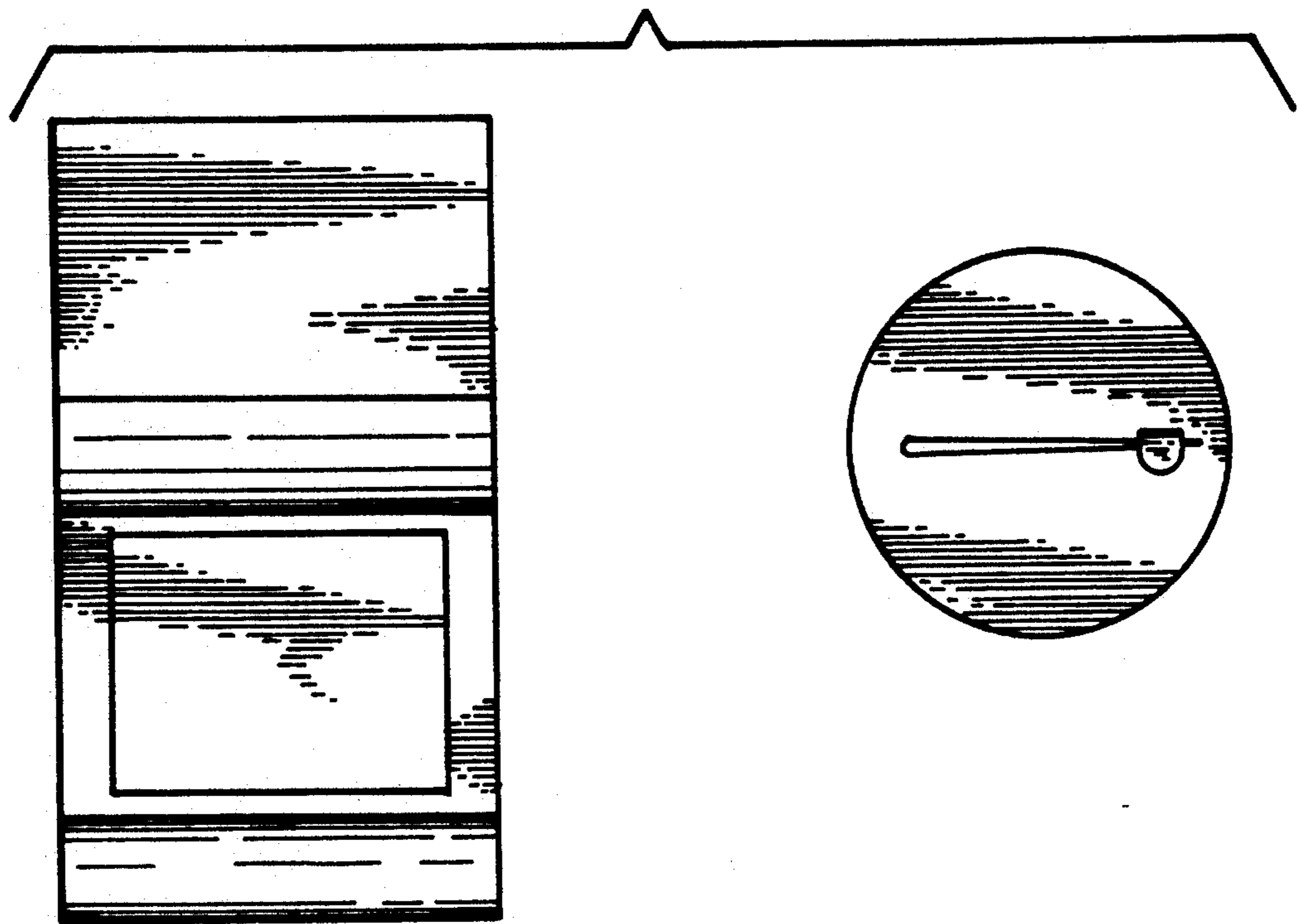


FIG. 2

FIG. 3



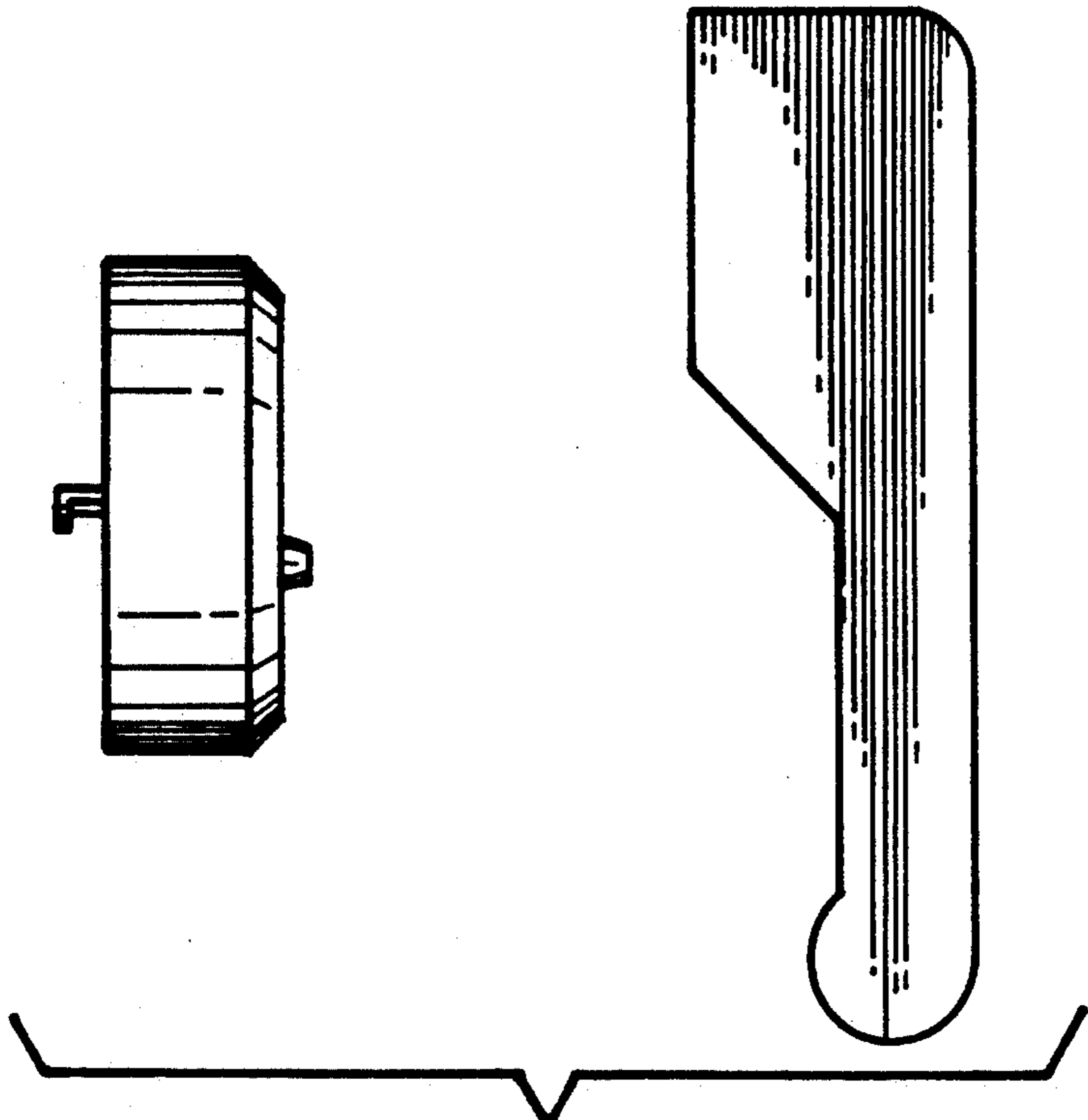


FIG. 4

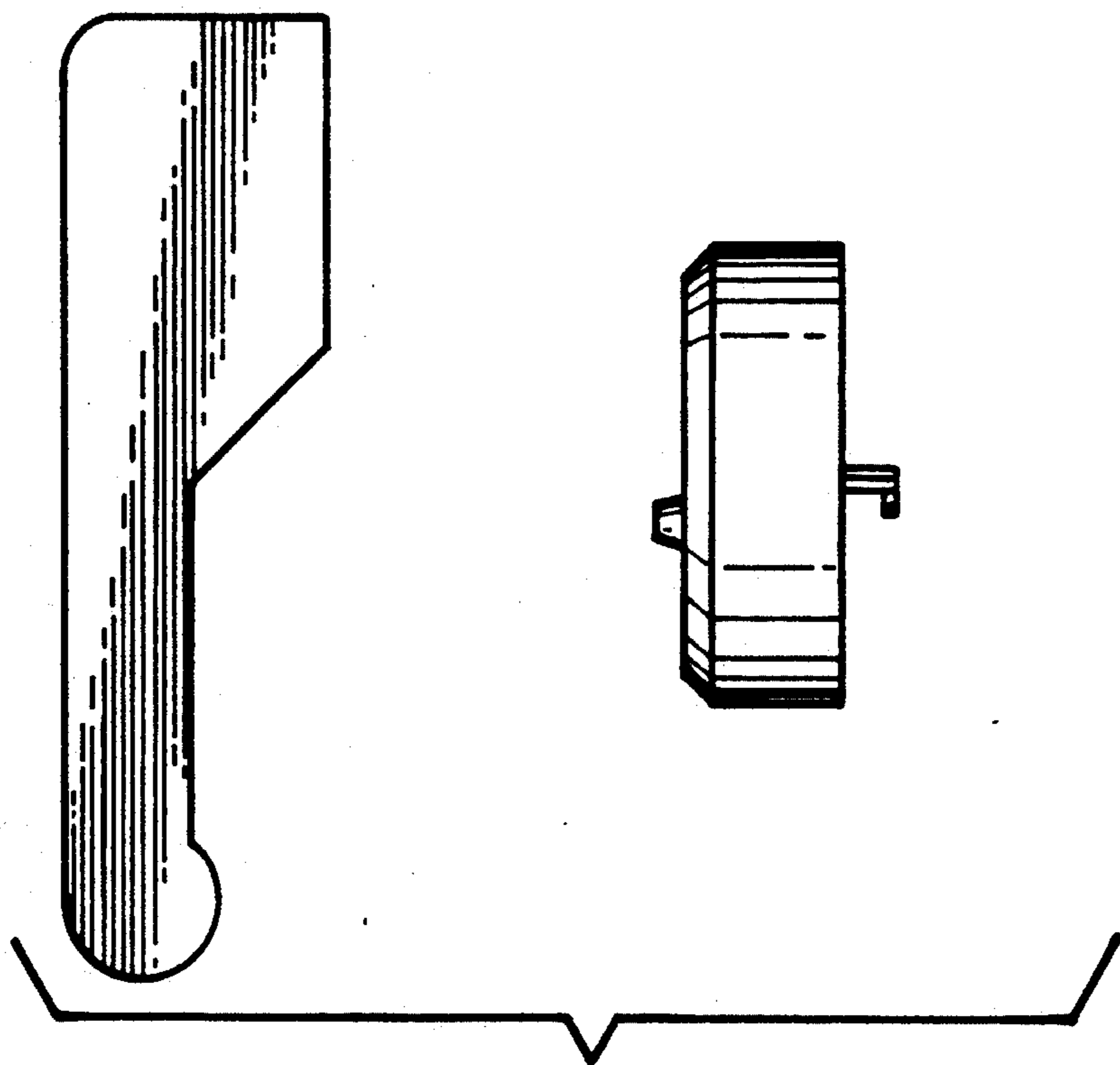


FIG. 5

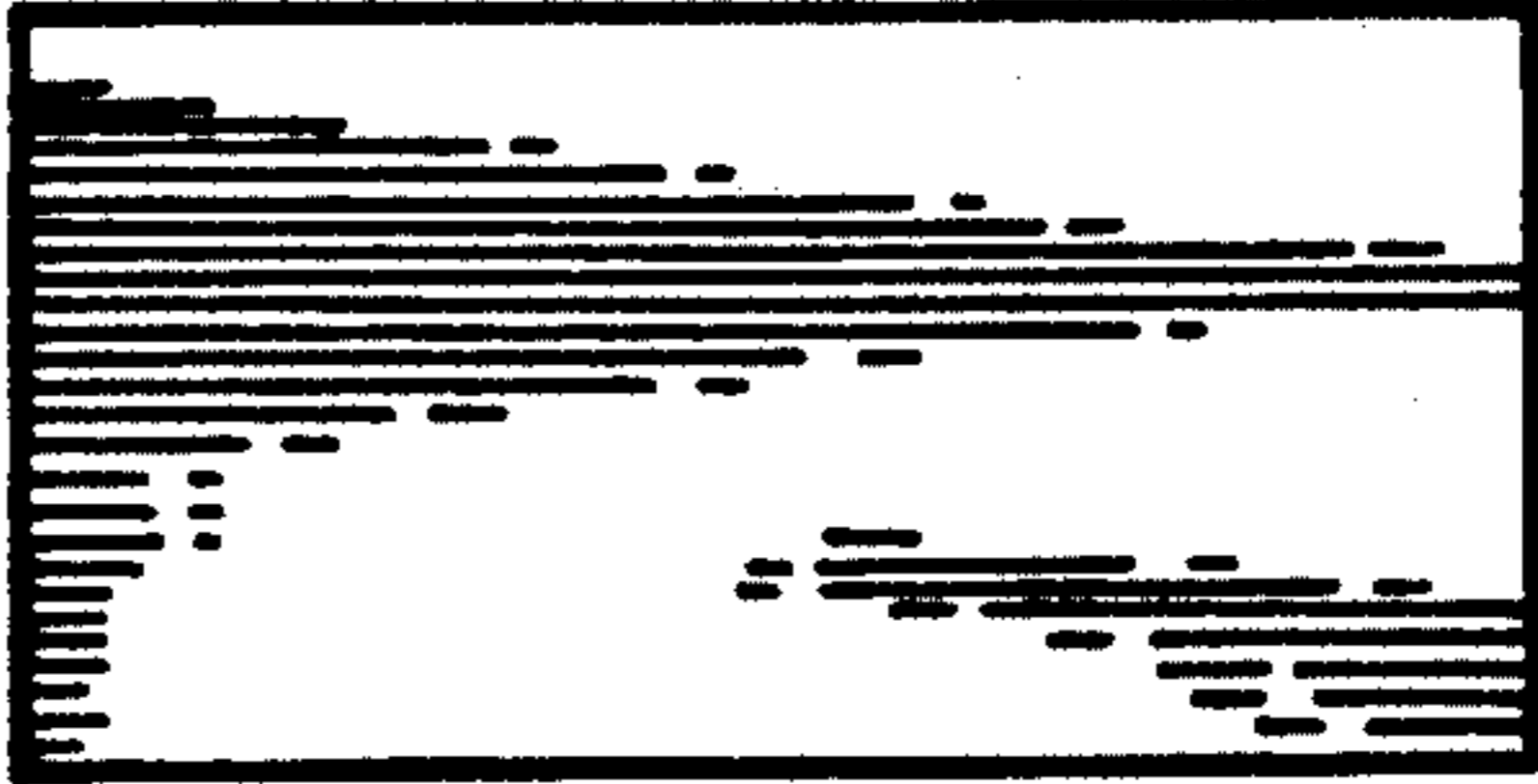
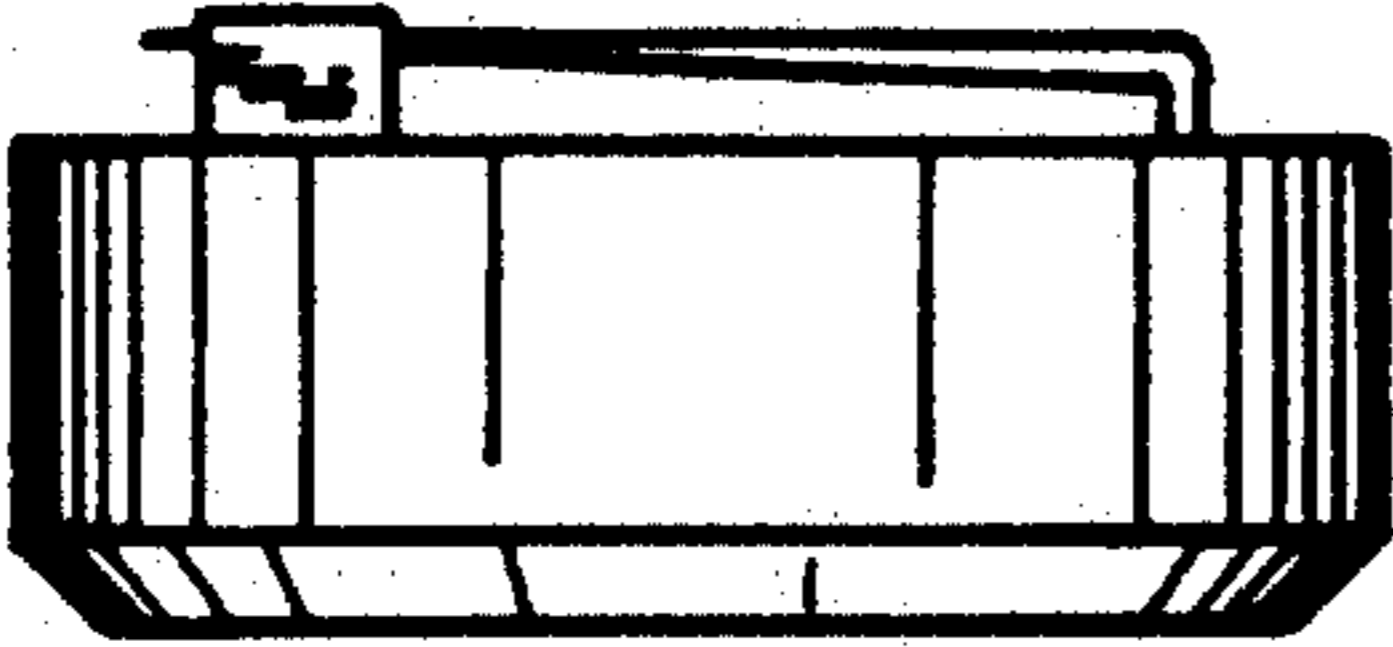


FIG. 6

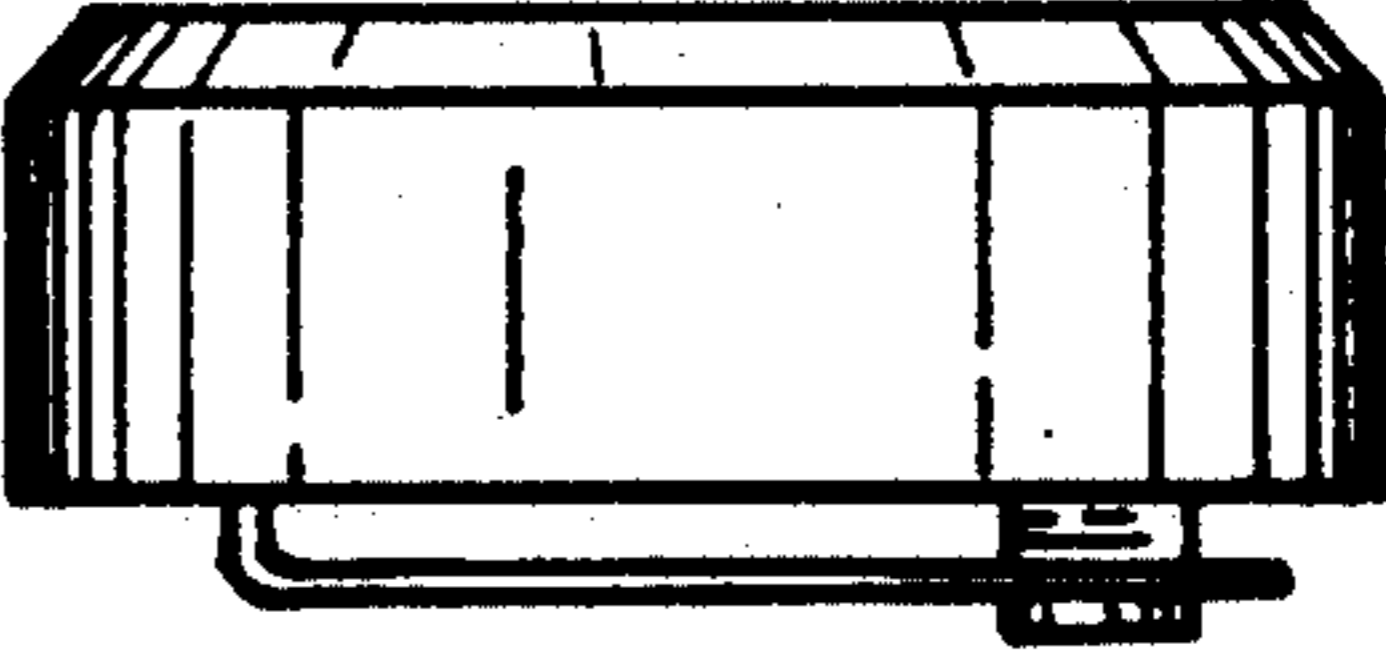
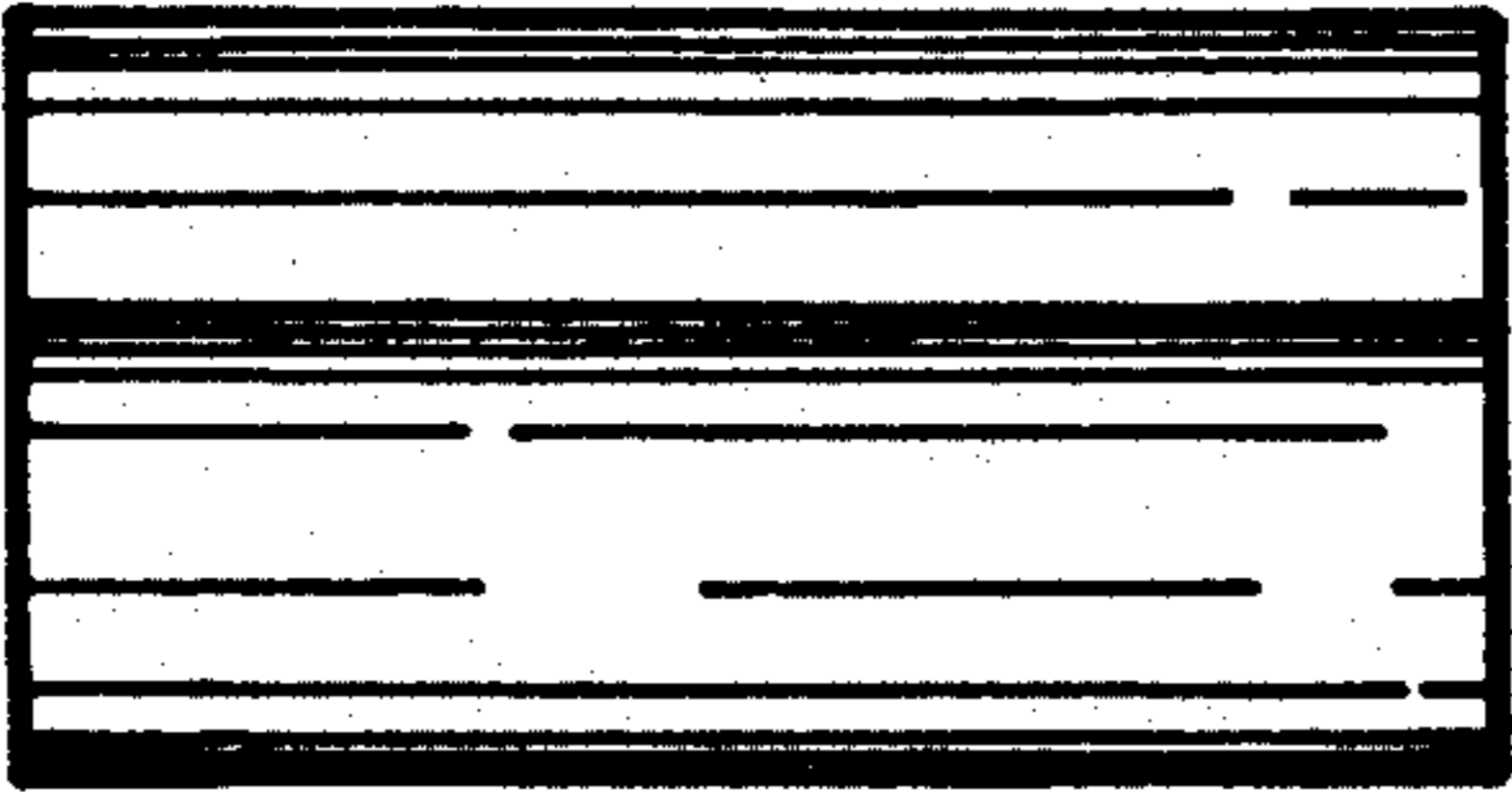


FIG. 7