



US00D339755S

United States Patent [19]

[11] Patent Number: Des. 339,755

Bonnell

[45] Date of Patent: ** Sep. 28, 1993

[54] FACE PLATE

[75] Inventor: Thomas A. Bonnell, Sheboygan, Wis.

[73] Assignee: Kohler Co., Kohler, Wis.

[**] Term: 14 Years

[21] Appl. No.: 812,652

[22] Filed: Dec. 23, 1991

[52] U.S. Cl. D10/102; D10/49

[58] Field of Search D10/49-52,
D10/102; 236/46 R, 47, 94; 337/154, 372, 374

[56] References Cited

U.S. PATENT DOCUMENTS

- D. 264,189 5/1982 Crawford et al. D10/50
- D. 265,190 6/1982 Bohanon, Sr. .
- D. 288,921 3/1987 Peck .
- D. 293,421 12/1987 Bonnema et al. D10/50
- D. 297,419 8/1988 Bonnema et al. D10/50
- D. 316,681 5/1991 Takasuna et al. D10/50 X

OTHER PUBLICATIONS

Page from undated Kohler ad, admitted prior art, showing Autofill bath system.

An ad for the Hunter Energy Monitor, on p. 13 of the Nov. 1983 issue of Hardware Age.

P. 17 of a Bradley ad, Jan. 1986, illustrating examples of housing covers for hand/hair dryers.

Primary Examiner—Alan P. Douglas
Assistant Examiner—Antoine D. Davis
Attorney, Agent, or Firm—Quarles & Brady

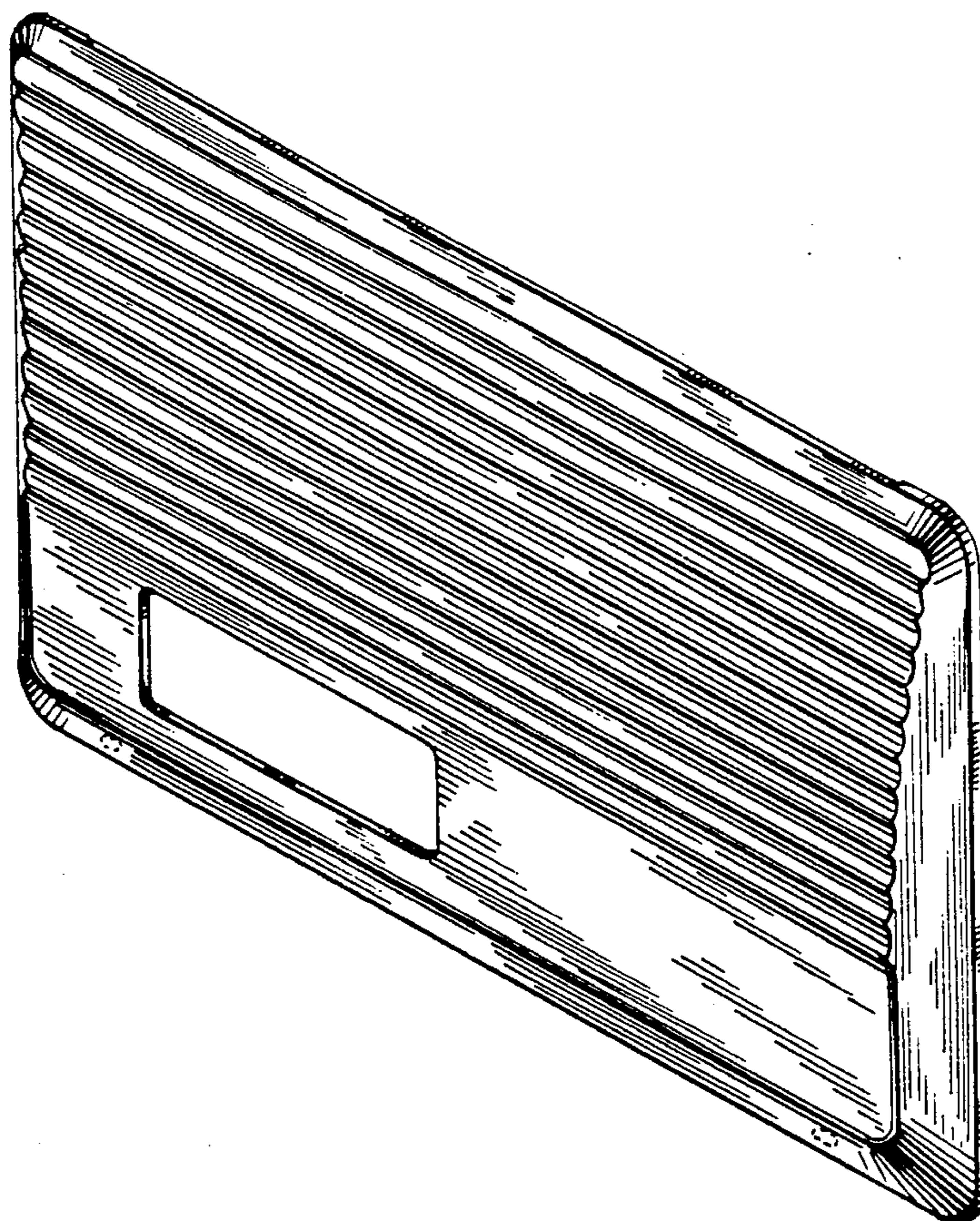
[57] CLAIM

The ornamental design for a face plate, as shown and described.

DESCRIPTION

FIG. 1 is a perspective view taken from the front and right side of a face plate showing my new design; FIG. 2 is a front elevational view thereof; FIG. 3 is a top plan view thereof; FIG. 4 is a right side elevational view thereof, the left side being a mirror image of the right side shown; FIG. 5 is a bottom plan view thereof; FIG. 6 is a rear elevational view thereof; FIG. 7 is an enlarged detail of a cross sectional view taken on a segment of line 7-7; and, FIG. 8 is a front elevational view of an alternative embodiment thereof, the embodiment being the same as the embodiment of FIGS. 1-7 except that FIG. 8 is the mirror image of FIG. 2.

The fragmentary broken line representation of mounting holes in FIGS. 1, 2, 5, 6 and 8 is for the purpose of illustration only and forms no part of the claim design.



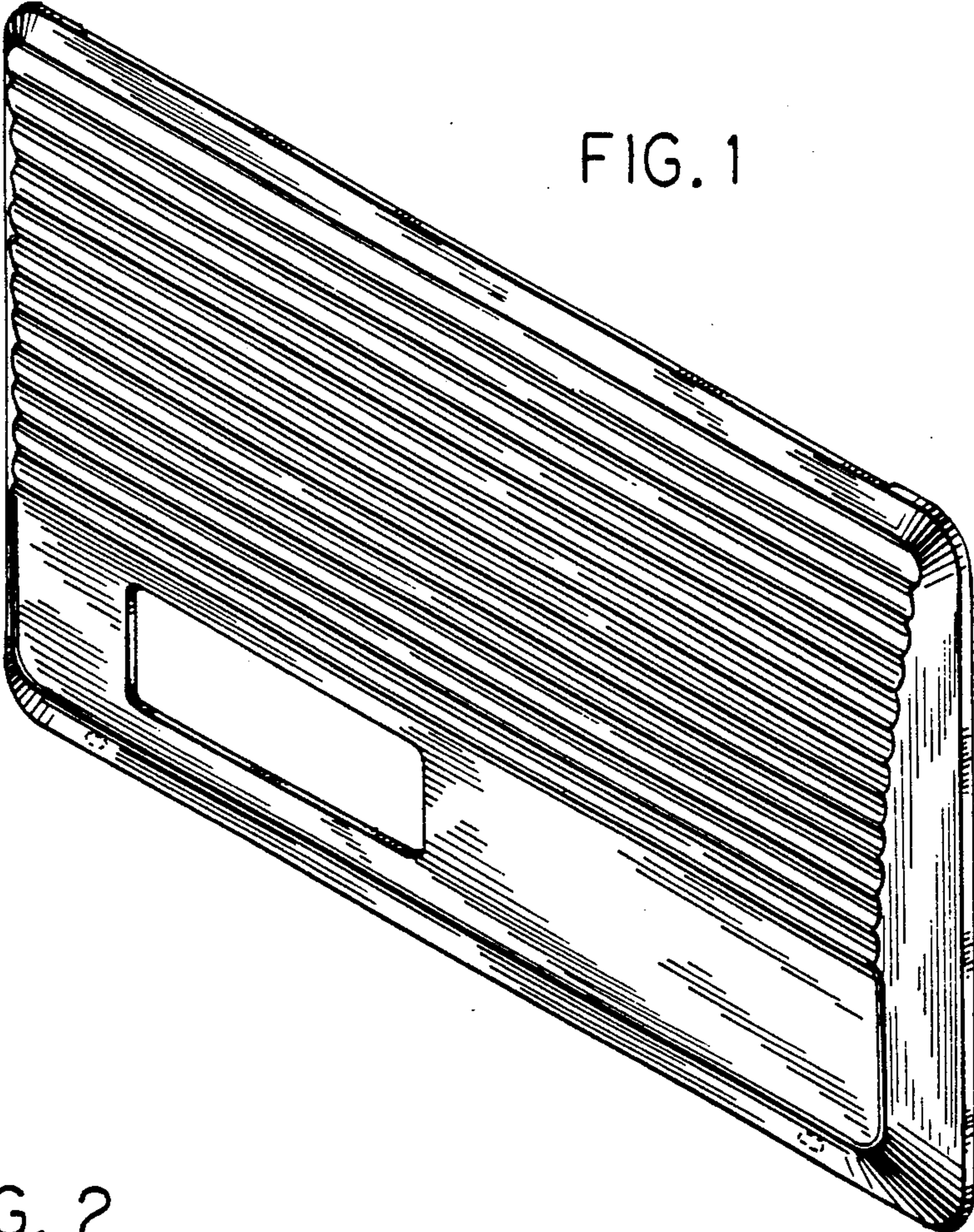
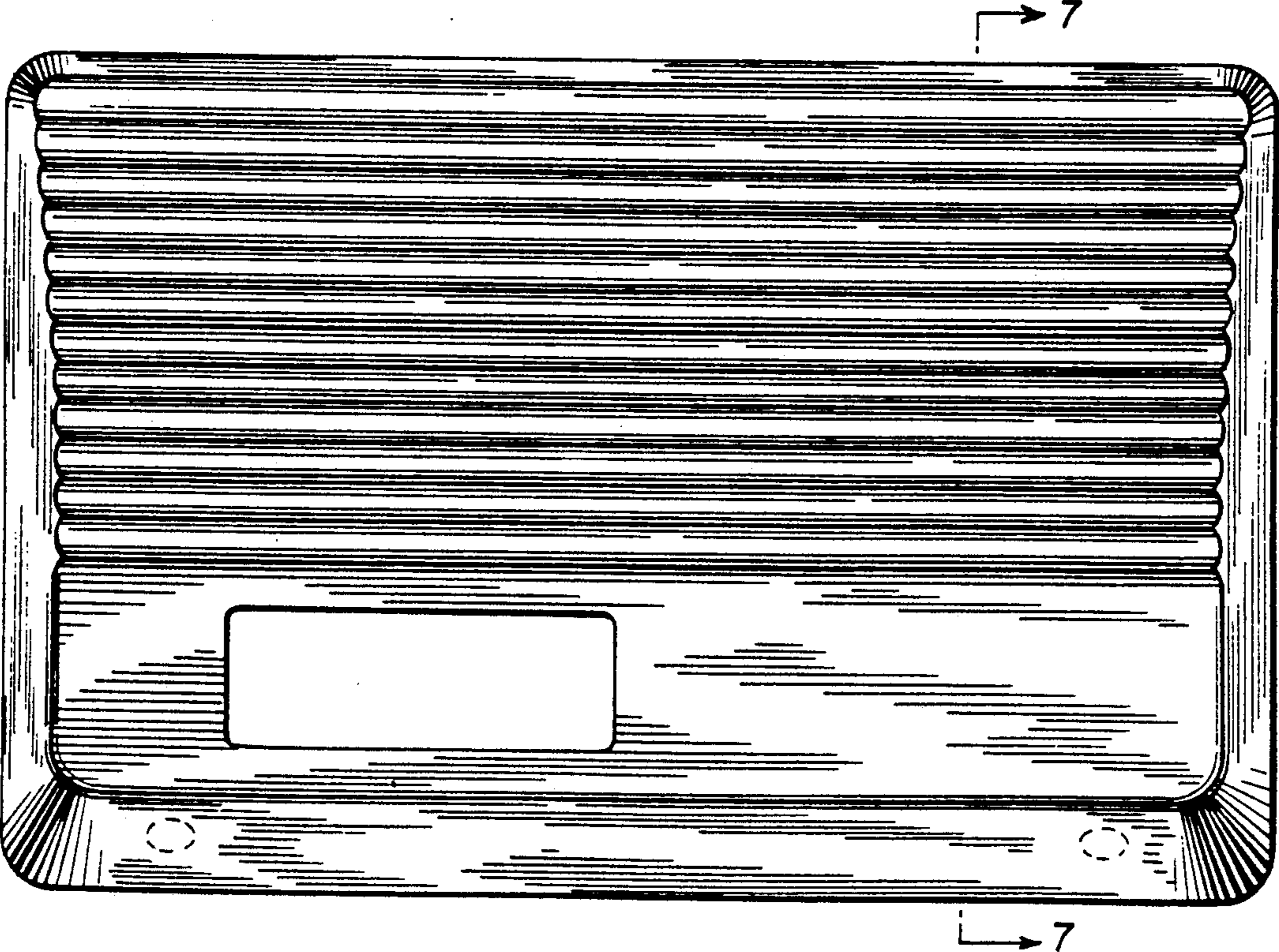


FIG. 1

FIG. 2



7

7

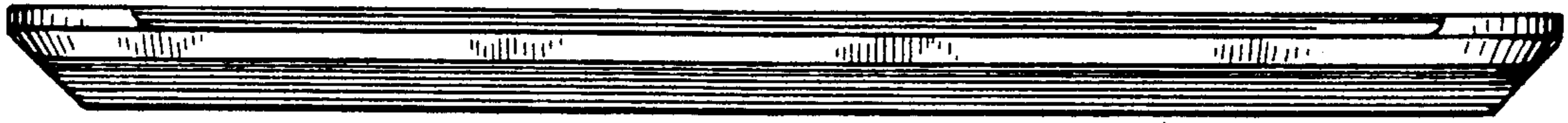


FIG. 3



FIG. 4



FIG. 7

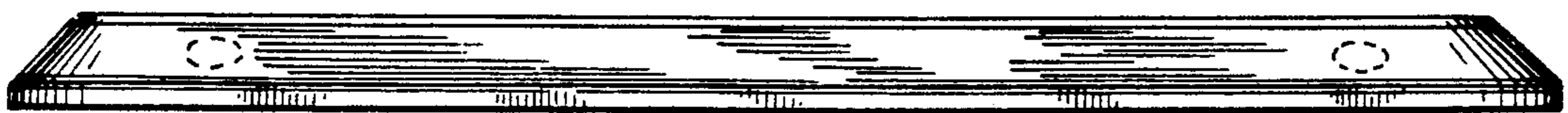


FIG. 5

FIG. 6

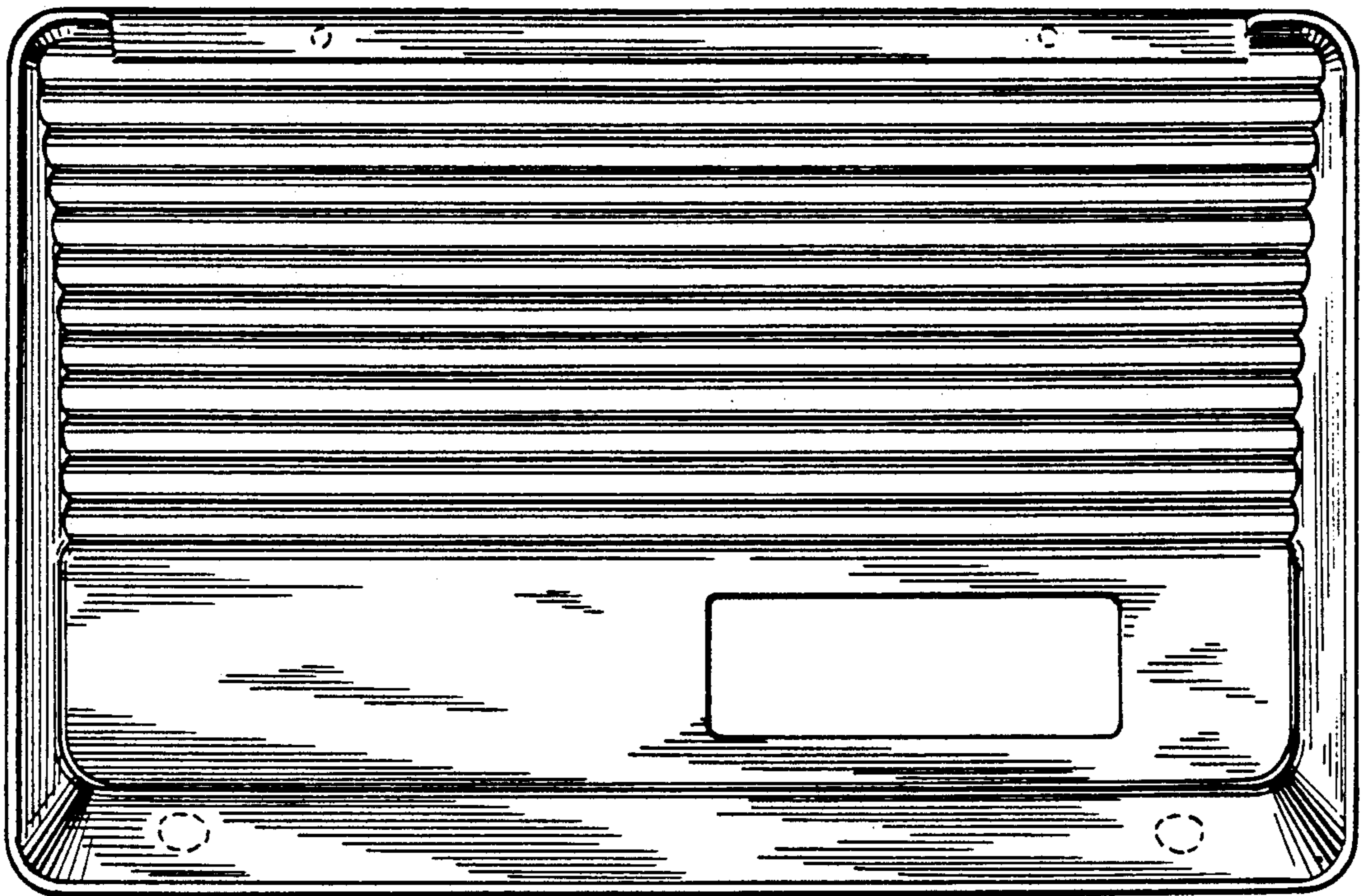


FIG. 8

