



US00D339744S

United States Patent [19]

[11] Patent Number: **Des. 339,744**

Seppala

[45] Date of Patent: **** Sep. 28, 1993**

[54] **FOOD CONTAINER**

4,660,716 4/1987 McMahon et al. 220/556 X
4,974,738 12/1990 Kidd et al. 229/2.5 R X
5,046,659 9/1991 Warburton 229/2.5 R

[75] Inventor: **Eino Seppala, Waukegan, Ill.**

[73] Assignee: **Solo Cup Company, Highland Park, Ill.**

Primary Examiner—Bernard Ansher
Assistant Examiner—Prabhakar Deshmukh
Attorney, Agent, or Firm—McAndrews, Held & Malloy, Ltd.

[**] Term: **14 Years**

[21] Appl. No.: **896,556**

[57] **CLAIM**

[22] Filed: **Jun. 10, 1992**

The ornamental design for the food container, as shown and described.

[52] U.S. Cl. **D9/425**

[58] Field of Search D9/425, 424, 341-347, D9/426, 423, 432; 229/2.5 R, 902, 904, 906, DIG. 13, 915; 220/4.23, 4.26, 4.27, 556; 206/557, 563; D7/601, 602, 550

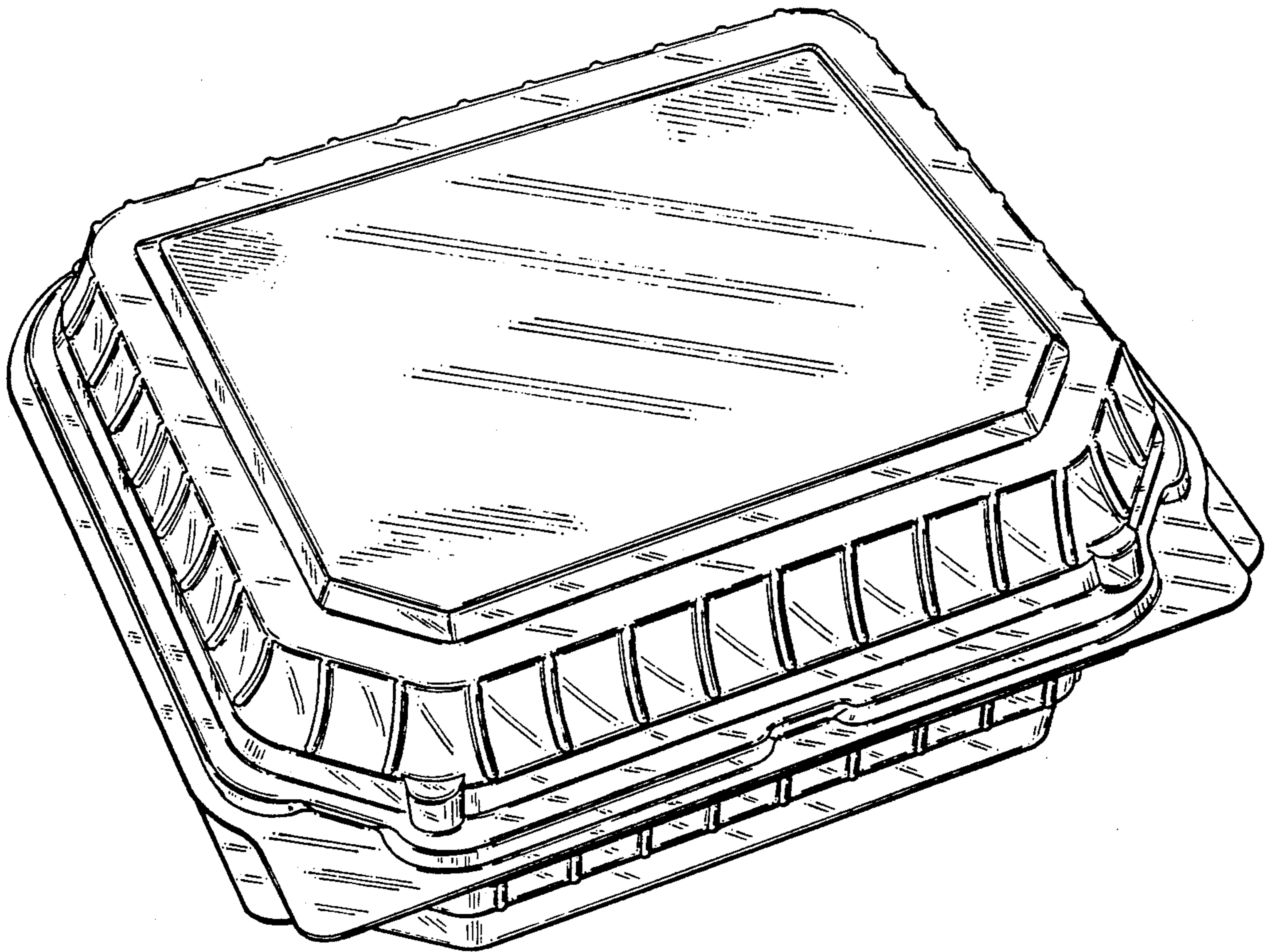
DESCRIPTION

[56] **References Cited**

U.S. PATENT DOCUMENTS

D. 270,708 9/1983 Dart D9/347
D. 276,216 11/1984 Michaud D9/425
D. 305,409 1/1990 Michaud et al. D9/425
4,535,889 8/1985 Tgrauds 229/2.5 R X

FIG. 1 is a top perspective view of a food container showing my new design;
FIG. 2 is a top perspective view thereof in an open position;
FIG. 3 is a top plan view of FIG. 1;
FIG. 4 is a bottom plan view of FIG. 1;
FIG. 5 is a front elevational view of FIG. 1;
FIG. 6 is a rear elevational view of FIG. 1; and,
FIG. 7 is a right side elevational view of FIG. 1; the left side elevational view being a mirror image thereof.



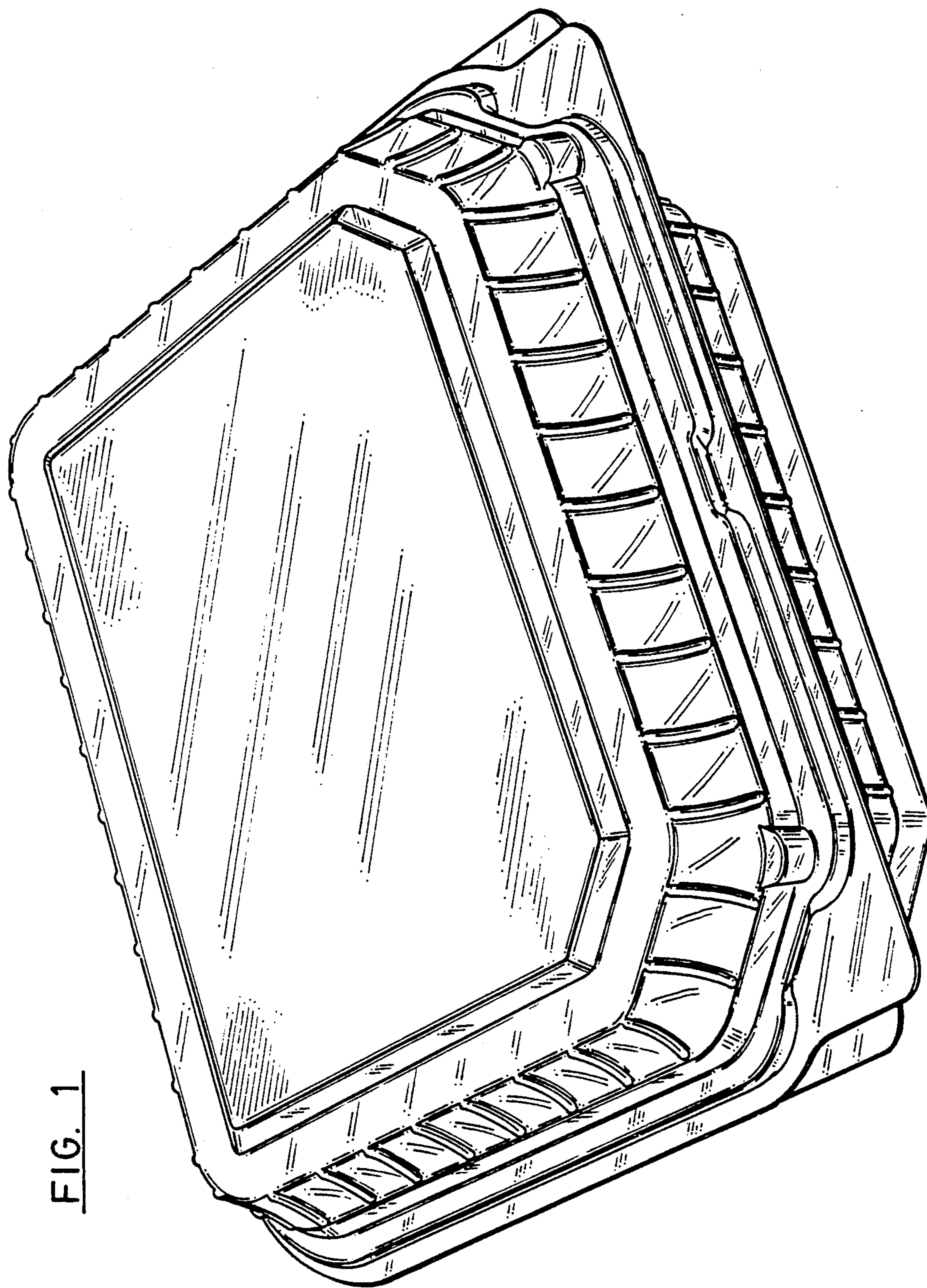


FIG. 1

FIG. 2

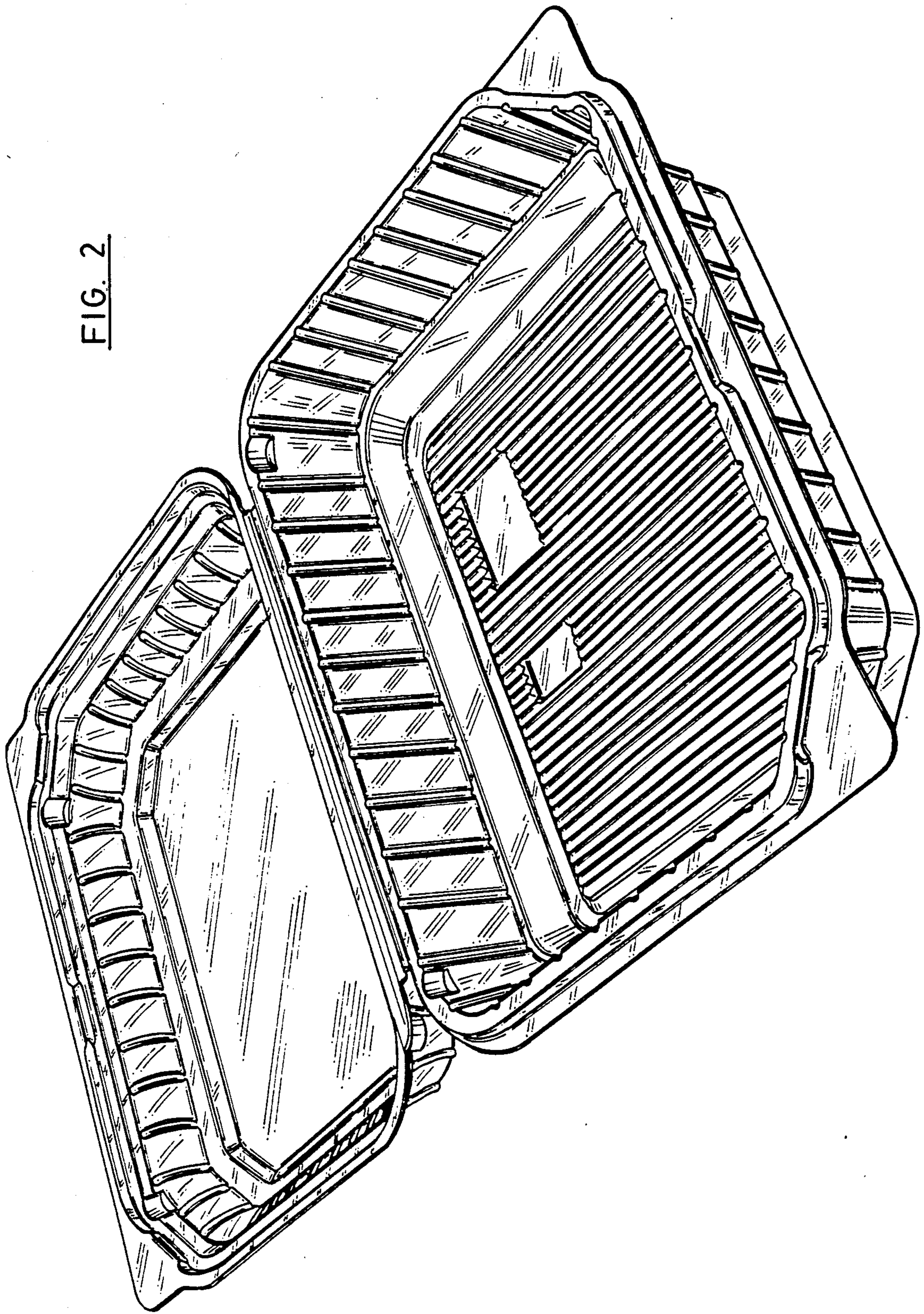


FIG. 3

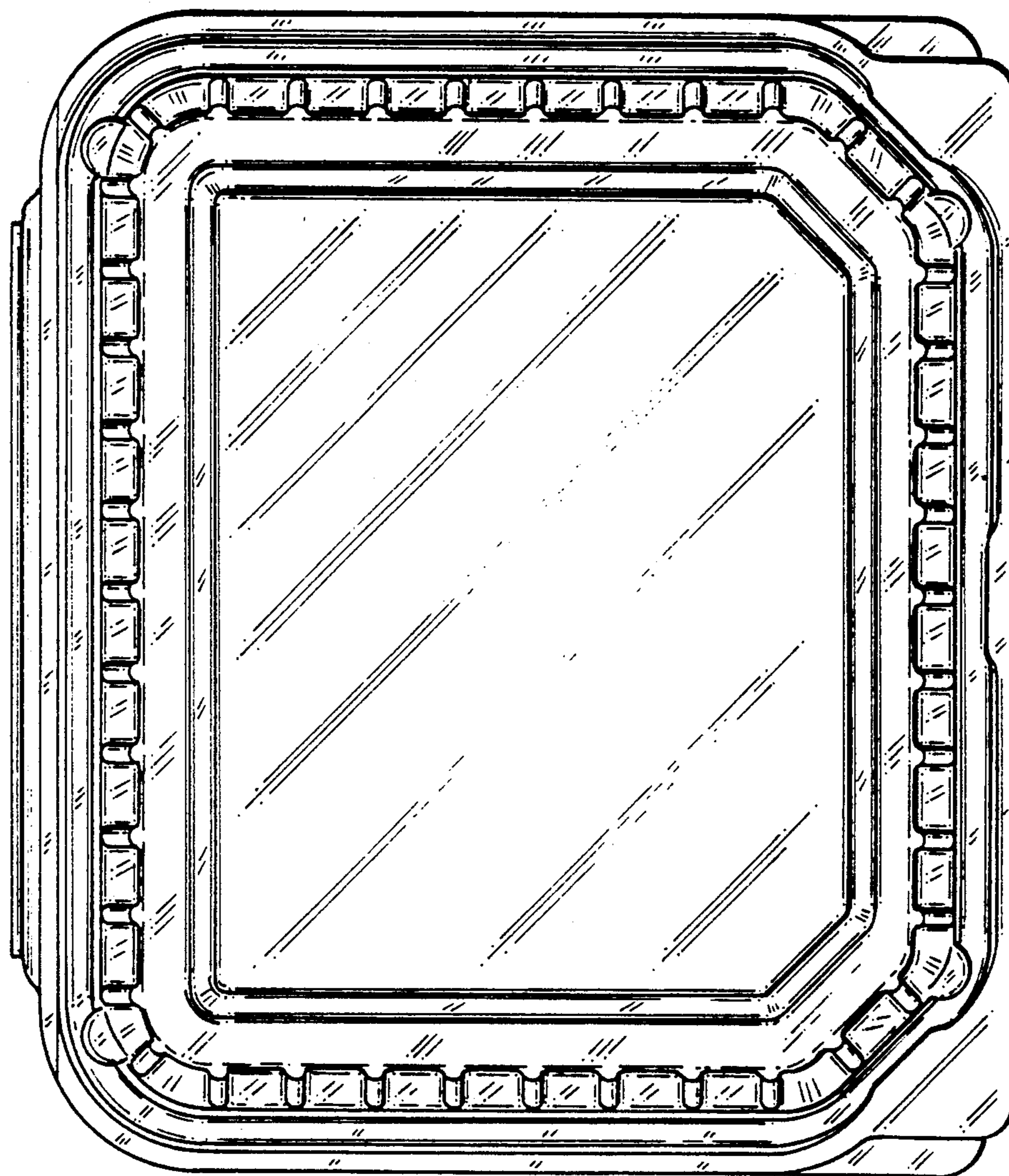


FIG. 4

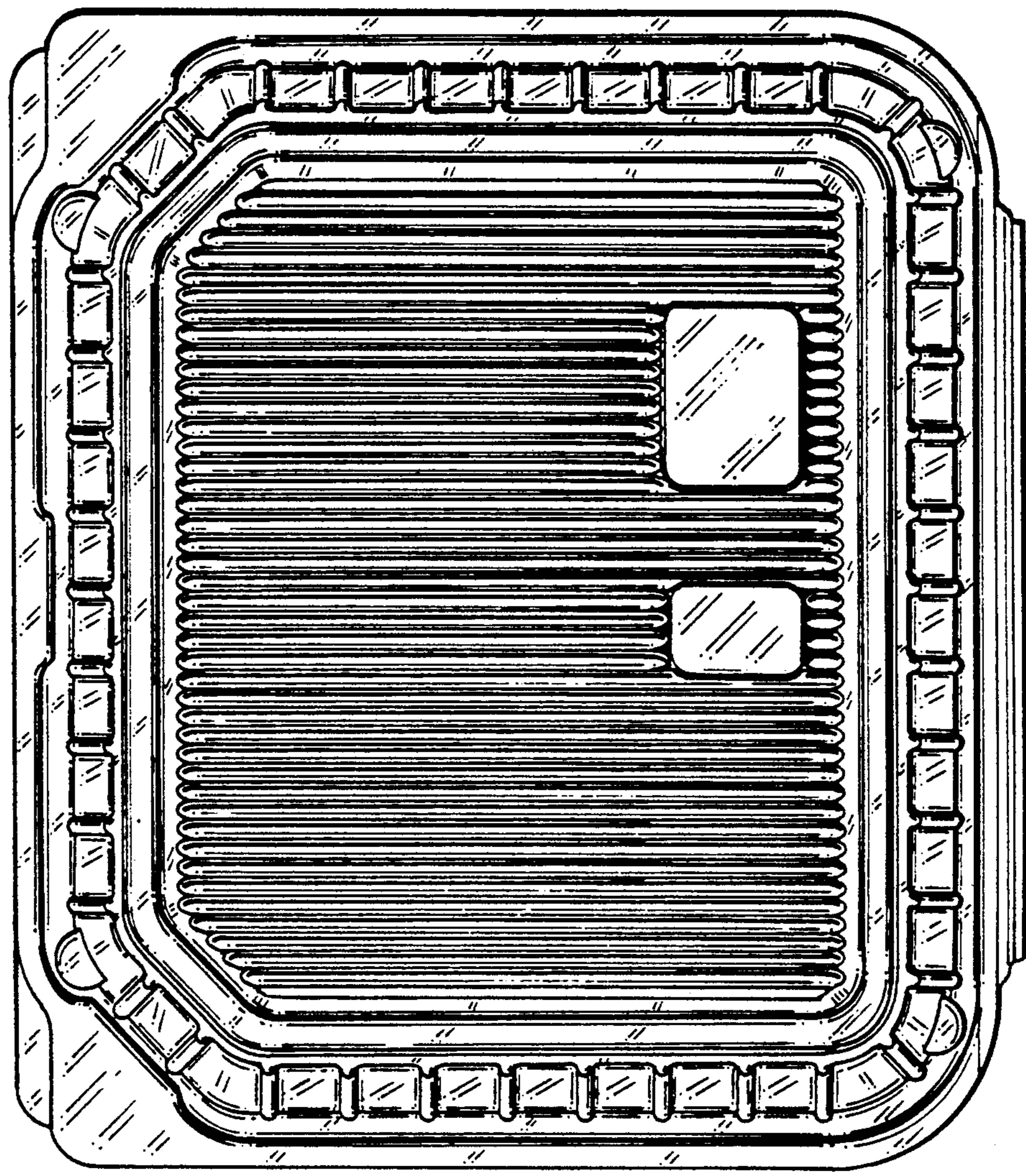


FIG. 5

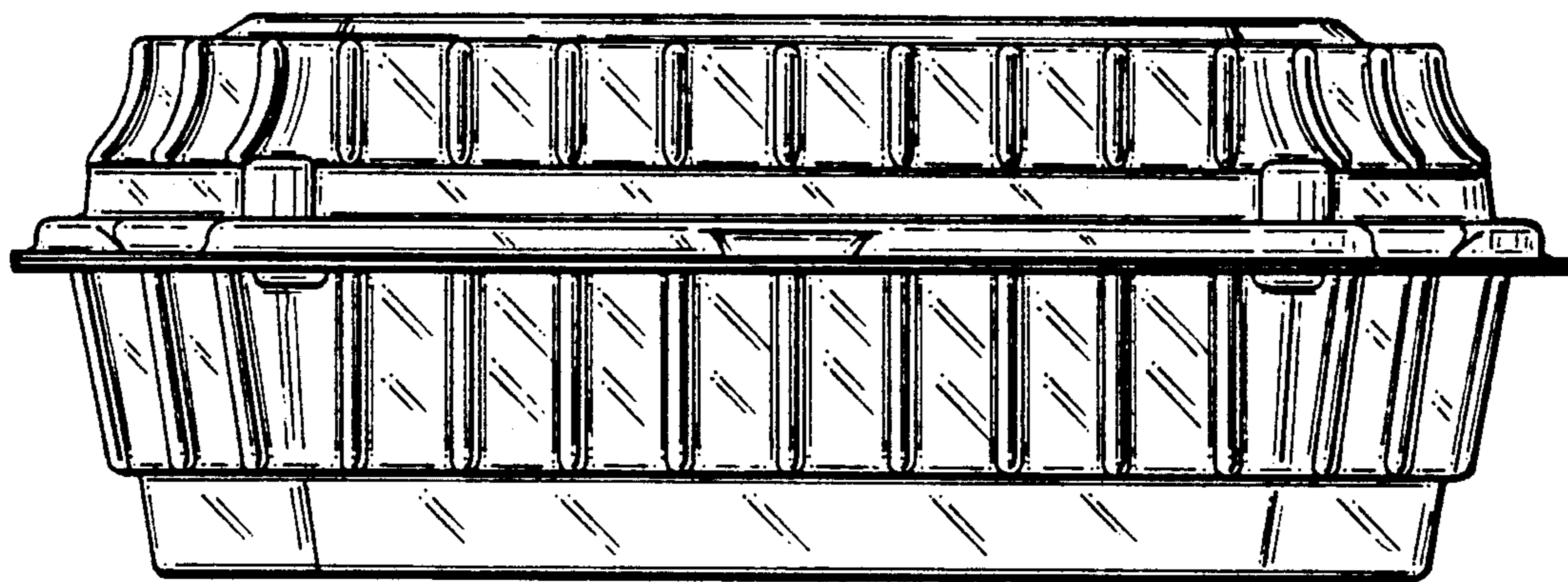


FIG. 6

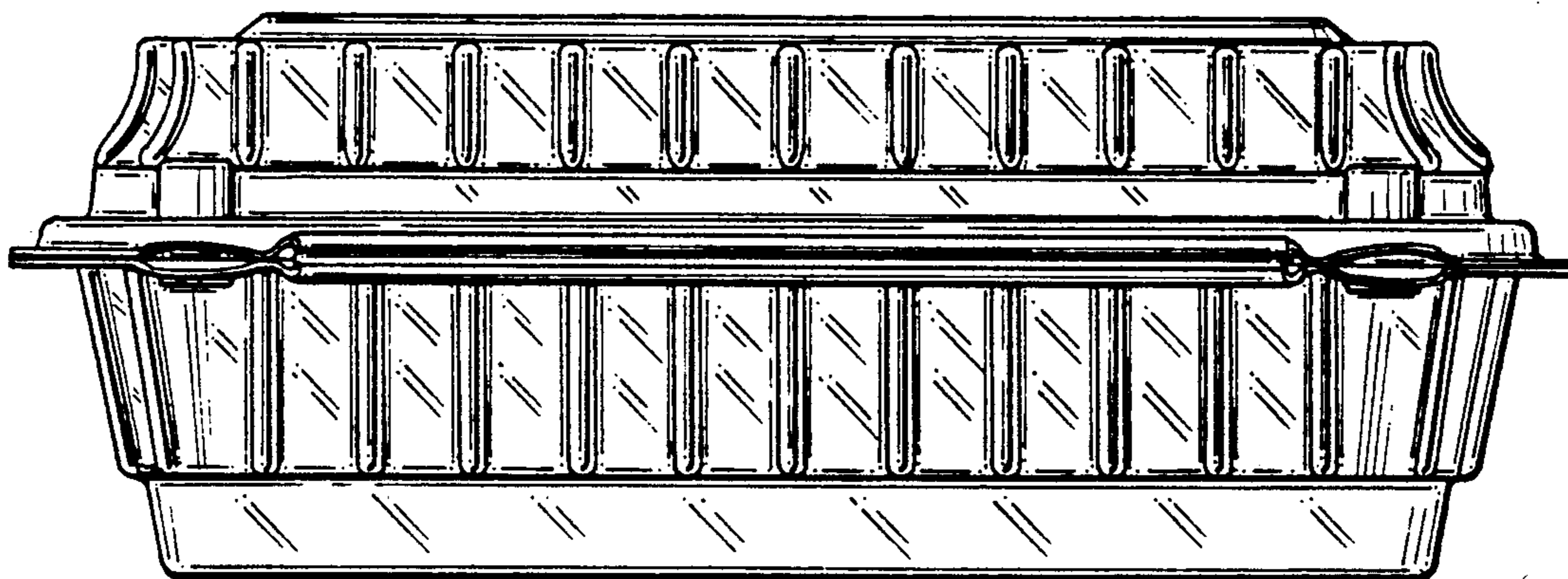


FIG. 7

