



US00D339737S

United States Patent [19] Hostetler

[11] Patent Number: Des. 339,737
[45] Date of Patent: ** Sep. 28, 1993

[54] PIPE SUPPORT FOR A WATERING SYSTEM
[75] Inventor: Robert D. Hostetler, Elkhart, Ind.
[73] Assignee: Avtron, Inc., Elkhart, Ind.
[**] Term: 14 Years
[21] Appl. No.: 747,599
[22] Filed: Aug. 20, 1991
[52] U.S. Cl. D8/380
[58] Field of Search D8/354, 396, 380;
D23/259, 262, 265; 119/72, 72.5

[56] References Cited U.S. PATENT DOCUMENTS

824,544	6/1906	Hossege .	
4,267,800	5/1981	Keller et al.	119/72.5
4,284,036	8/1981	Hostetler	119/72.5
4,491,088	1/1985	Hostetler	119/72.5
4,589,373	5/1986	Hostetler	119/72.5
4,637,345	1/1987	Hostetler	119/72.5
4,669,422	6/1987	Stuedler, Jr.	119/72
4,724,797	2/1988	Stuedler, Jr.	119/72
4,753,196	6/1988	Lack et al.	119/72
4,794,881	1/1989	Rader	119/72.5
4,884,528	12/1989	Stuedler, Jr.	119/72.5
4,892,061	1/1990	Stuedler, Jr.	119/75
4,982,699	1/1991	Momont	119/72.5
5,048,462	9/1991	Hostetler	119/72
5,097,798	3/1992	Little	119/72

Primary Examiner—Wallace R. Burke
Assistant Examiner—H. Baynham
Attorney, Agent, or Firm—Baker & Daniels

[57] CLAIM

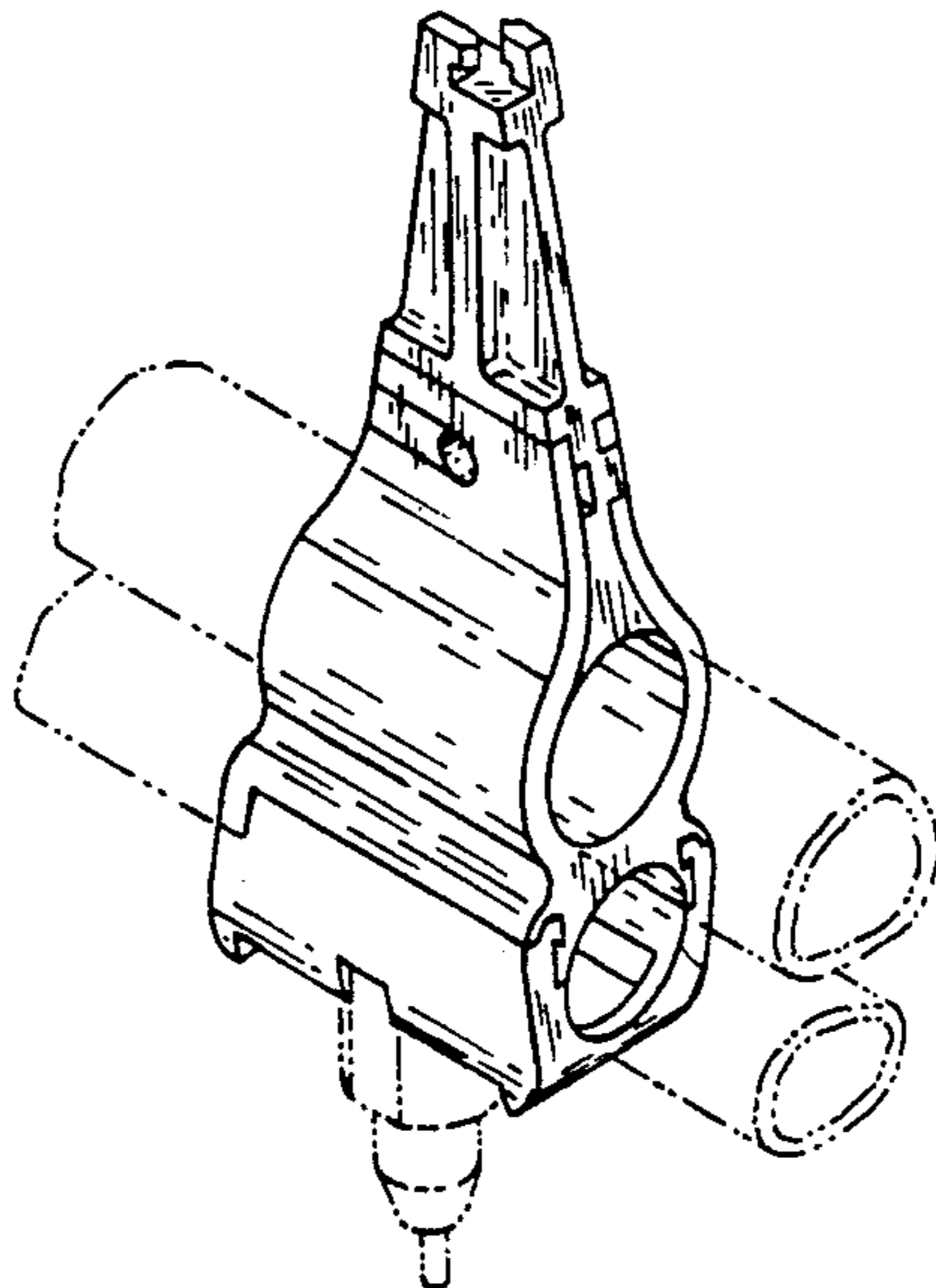
The ornamental design for a pipe support for a watering system, as shown and described.

DESCRIPTION

FIG. 1 is a perspective view of a pipe support for a watering system with the broken line showing of a ballast pipe, a conduit and a dispenser valve being for

illustrative purposes only and forming no part of the claimed design;

FIG. 2 is a left side view thereof;
FIG. 3 is a right side view thereof;
FIG. 4 is a rear view thereof;
FIG. 5 is a front view thereof;
FIG. 6 is a top plan view thereof;
FIG. 7 is a bottom plan view thereof;
FIG. 8 is a perspective view of the bottom portion thereof;
FIG. 9 is a left side view of the bottom portion thereof;
FIG. 10 is a right side view of the bottom portion thereof;
FIG. 11 is a front view of the bottom portion thereof;
FIG. 12 is a rear view of the bottom portion thereof;
FIG. 13 is a top plan view of the bottom portion thereof;
FIG. 14 is a bottom plan view of the bottom portion thereof;
FIG. 15 is a perspective view of the middle portion thereof;
FIG. 16 is a left side view of the middle portion thereof;
FIG. 17 is a right side view of the middle portion thereof;
FIG. 18 is a rear view of the middle portion thereof;
FIG. 19 is a front view of the middle portion thereof;
FIG. 20 is a top plan view of the middle portion thereof;
FIG. 21 is a bottom plan view of the middle portion thereof;
FIG. 22 is a perspective view of the top portion thereof;
FIG. 23 is a side view of the top portion thereof;
FIG. 24 is a front view of the top portion of the connector with the view of the opposite side being a mirror image;
FIG. 25 is a top plan view of the top portion thereof;
FIG. 26 is a bottom plan view of the top portion thereof; and,
FIG. 27 is an exploded perspective view.
The views in FIGS. 8-27 show portions of the claimed design in separated condition for clarity of illustration only.



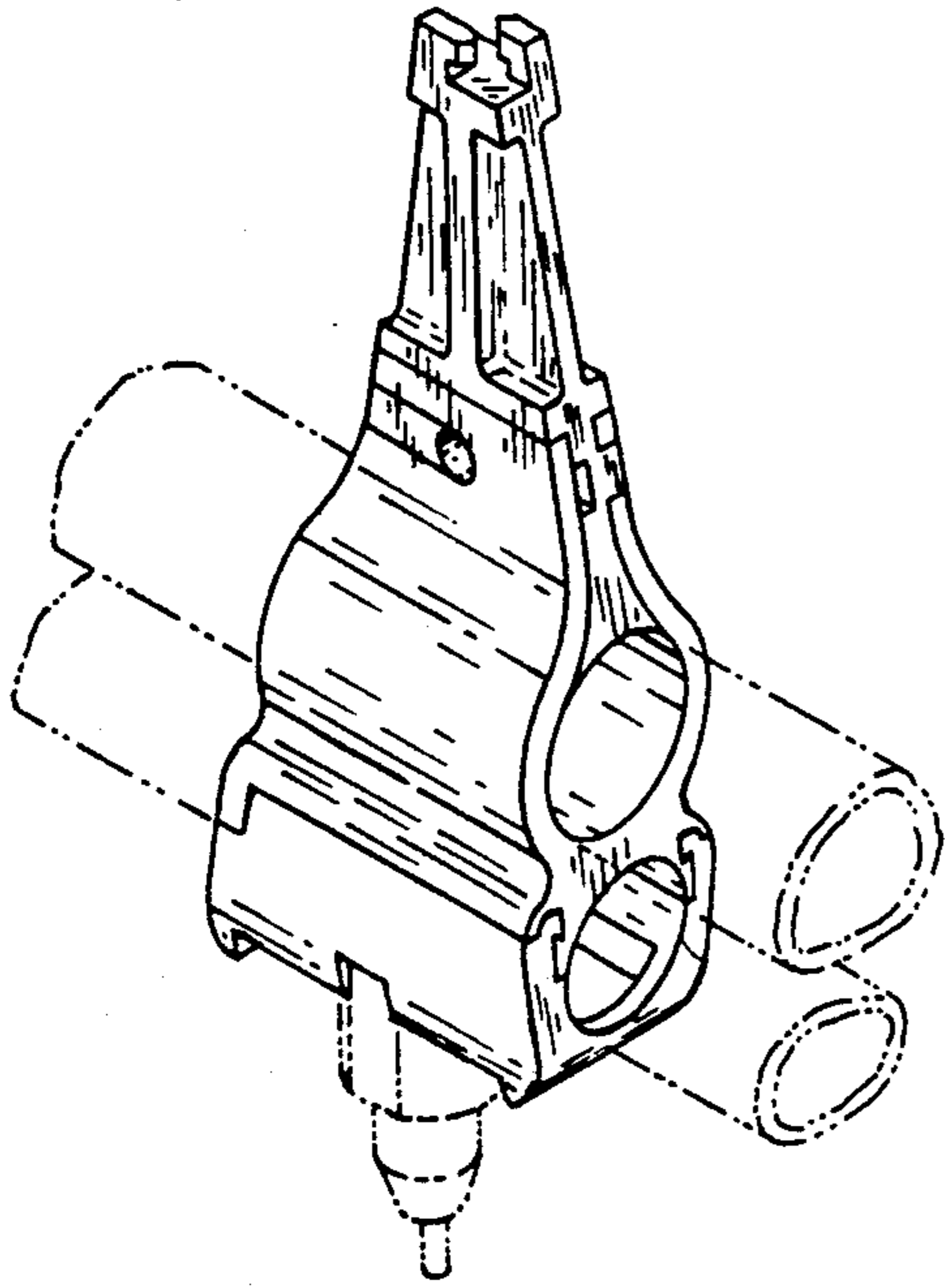


FIG. 1

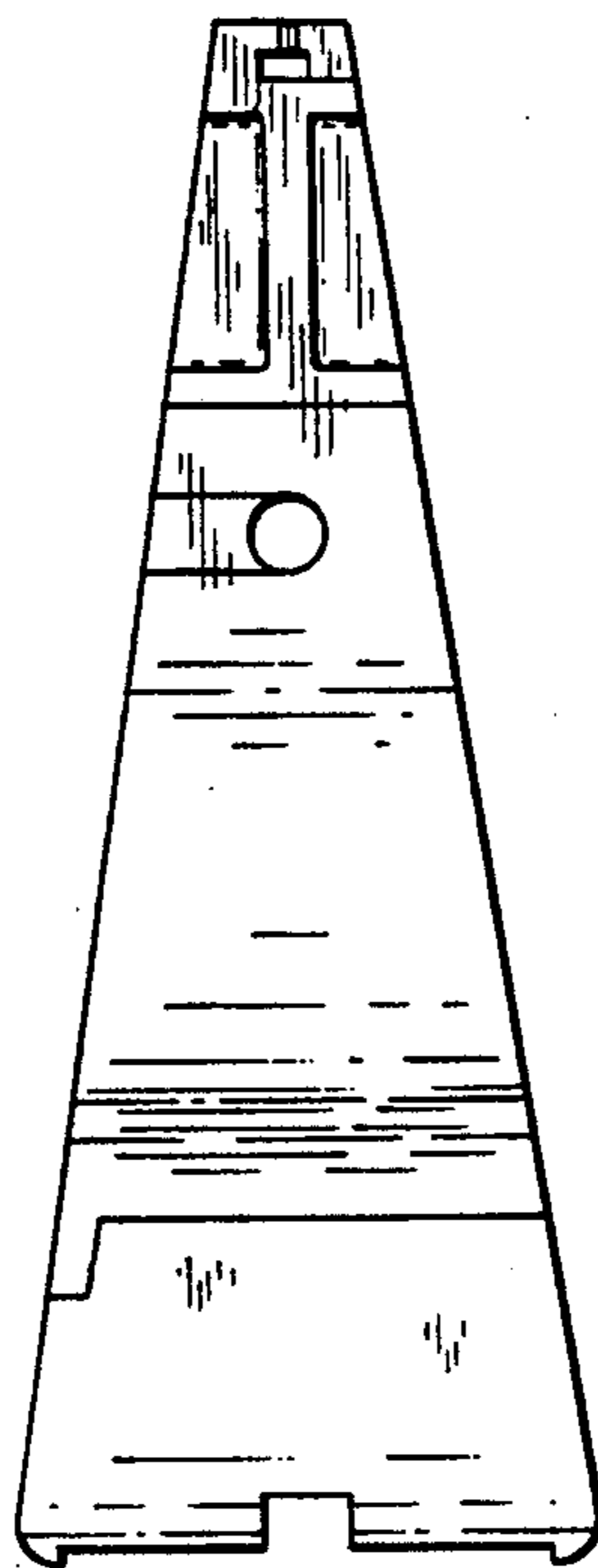


FIG. 2

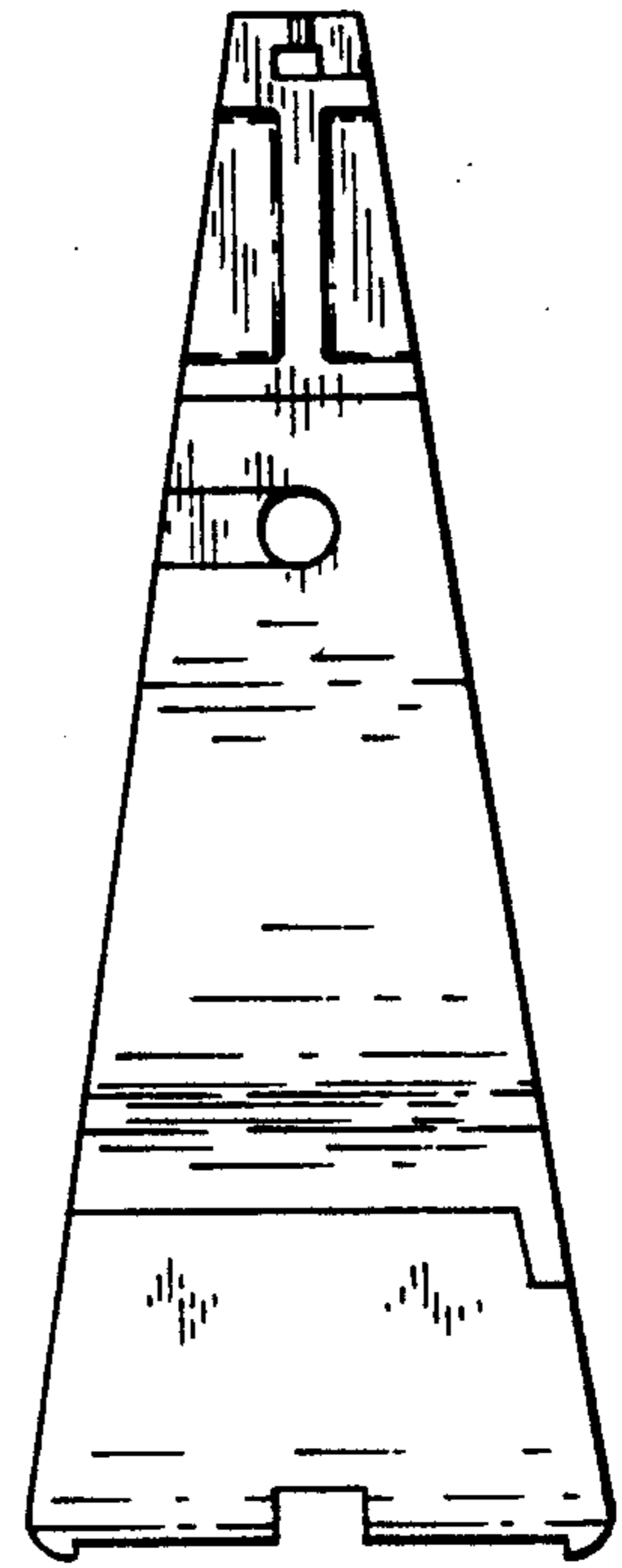


FIG. 3

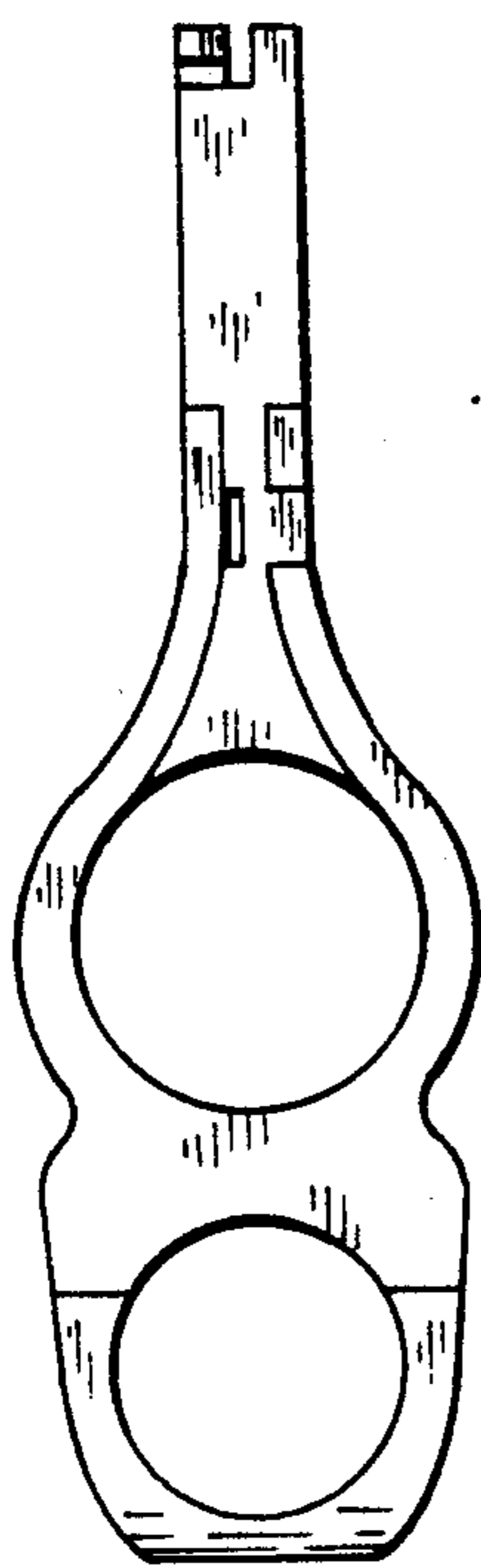


FIG. 4

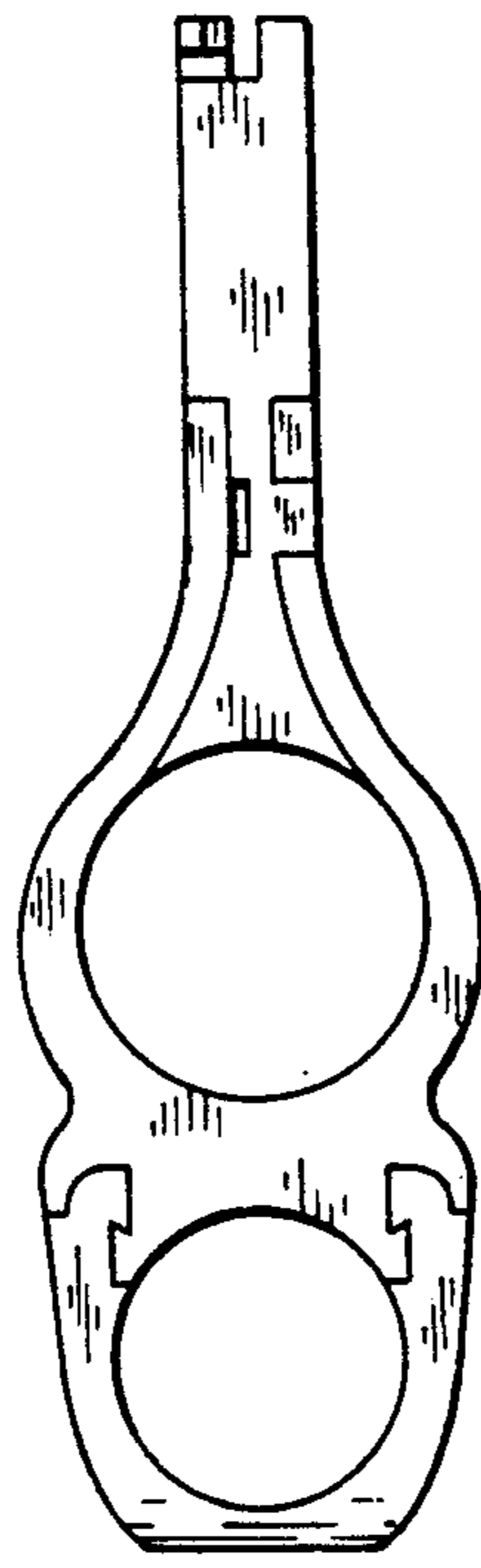


FIG. 5

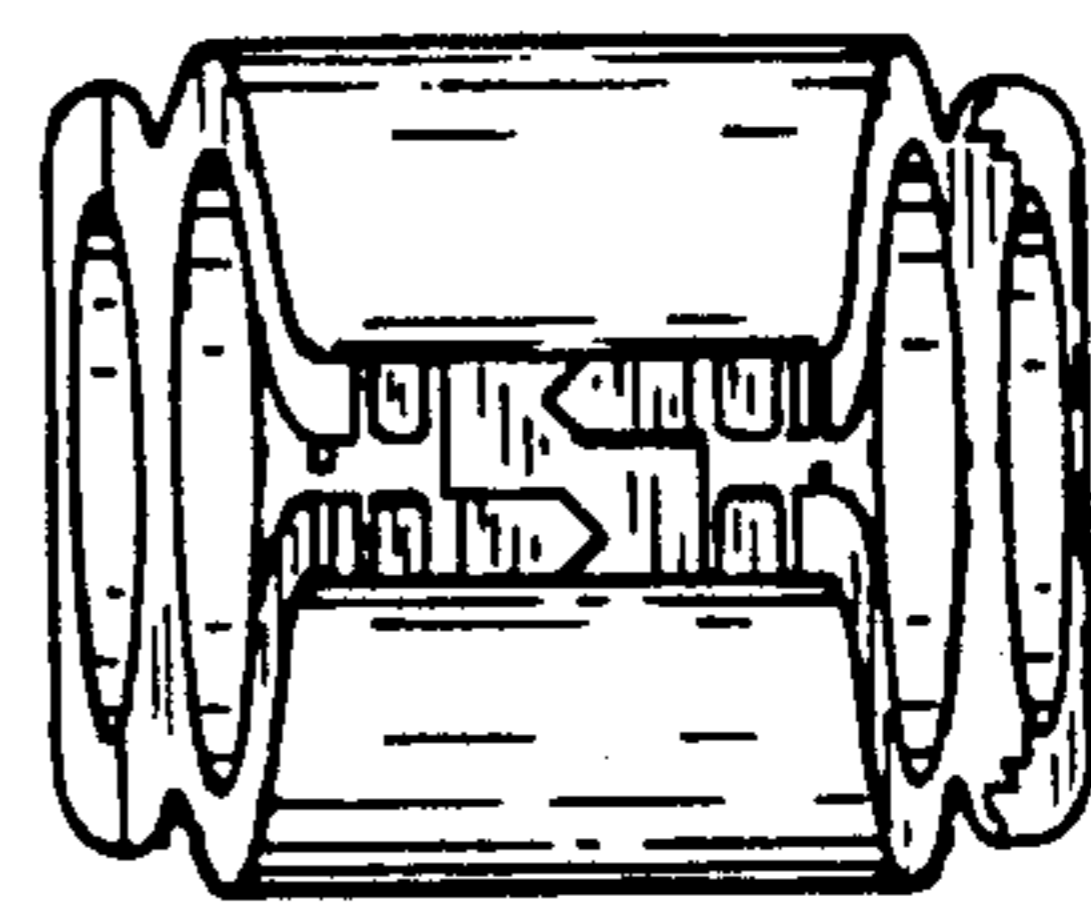


FIG. 6

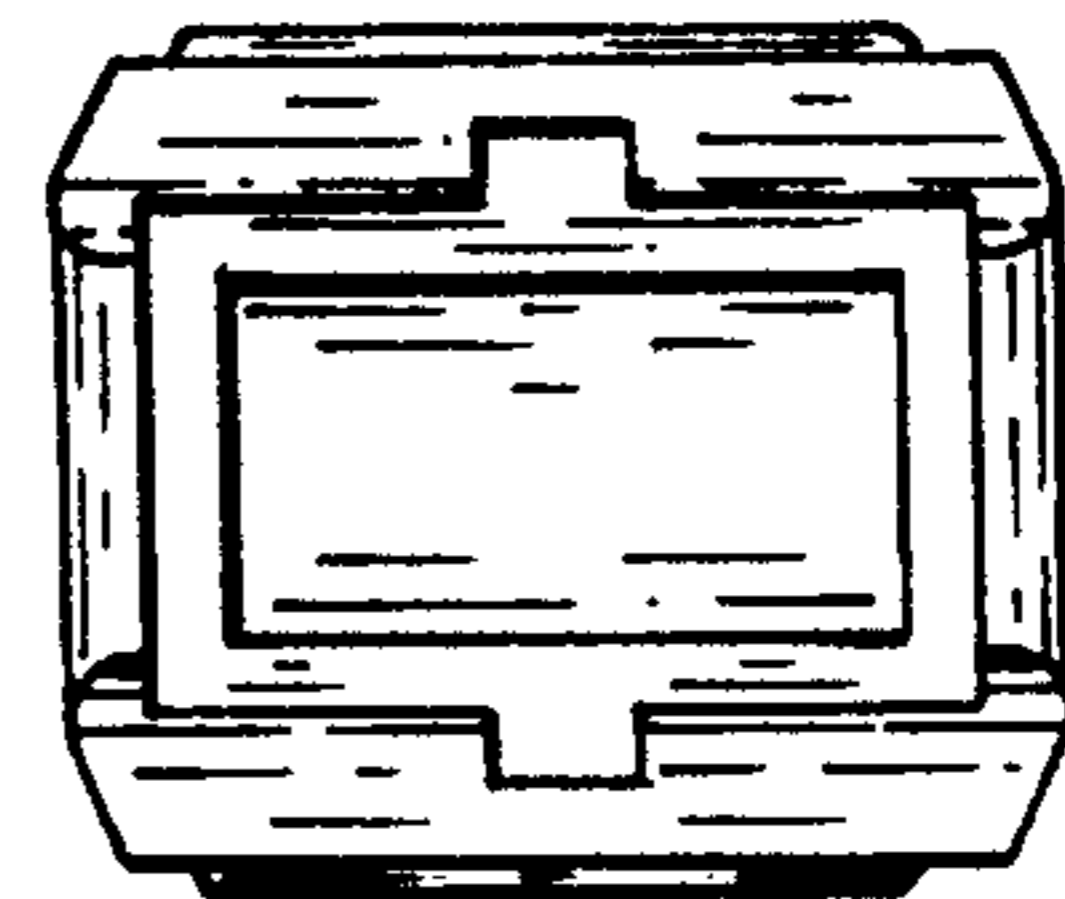


FIG. 7

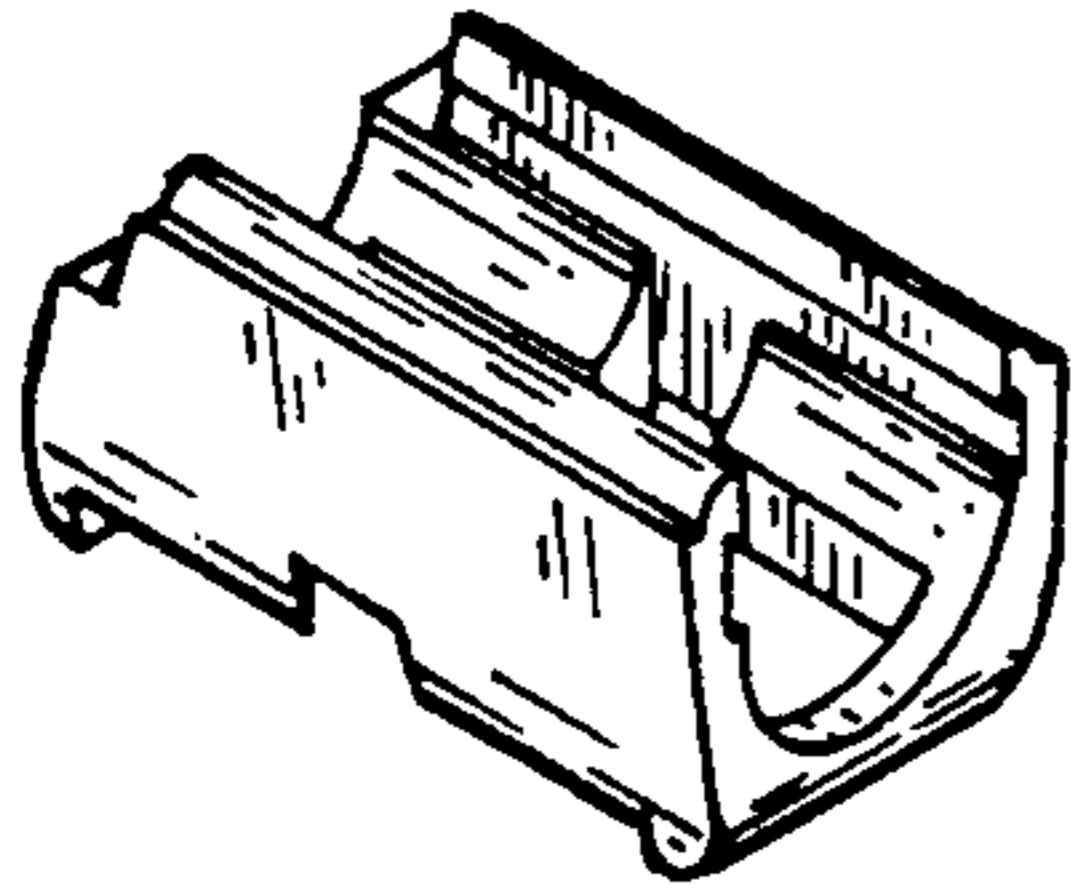


FIG. 8

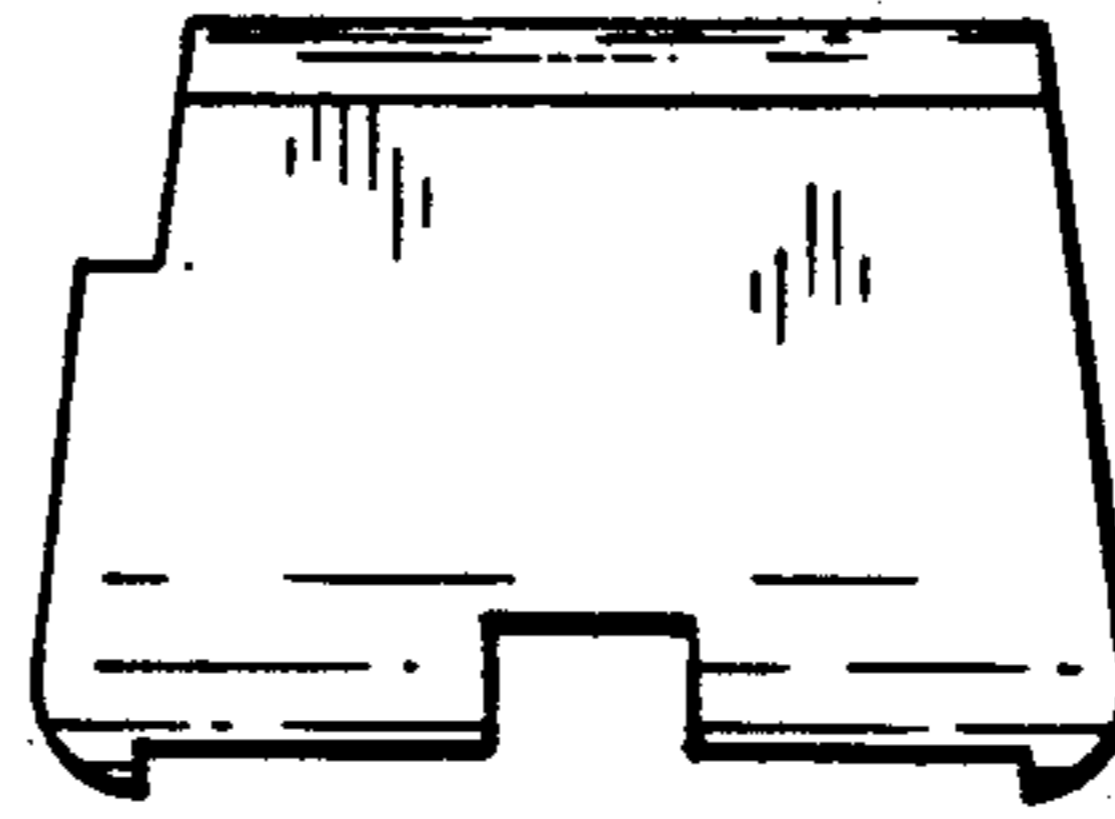


FIG. 9

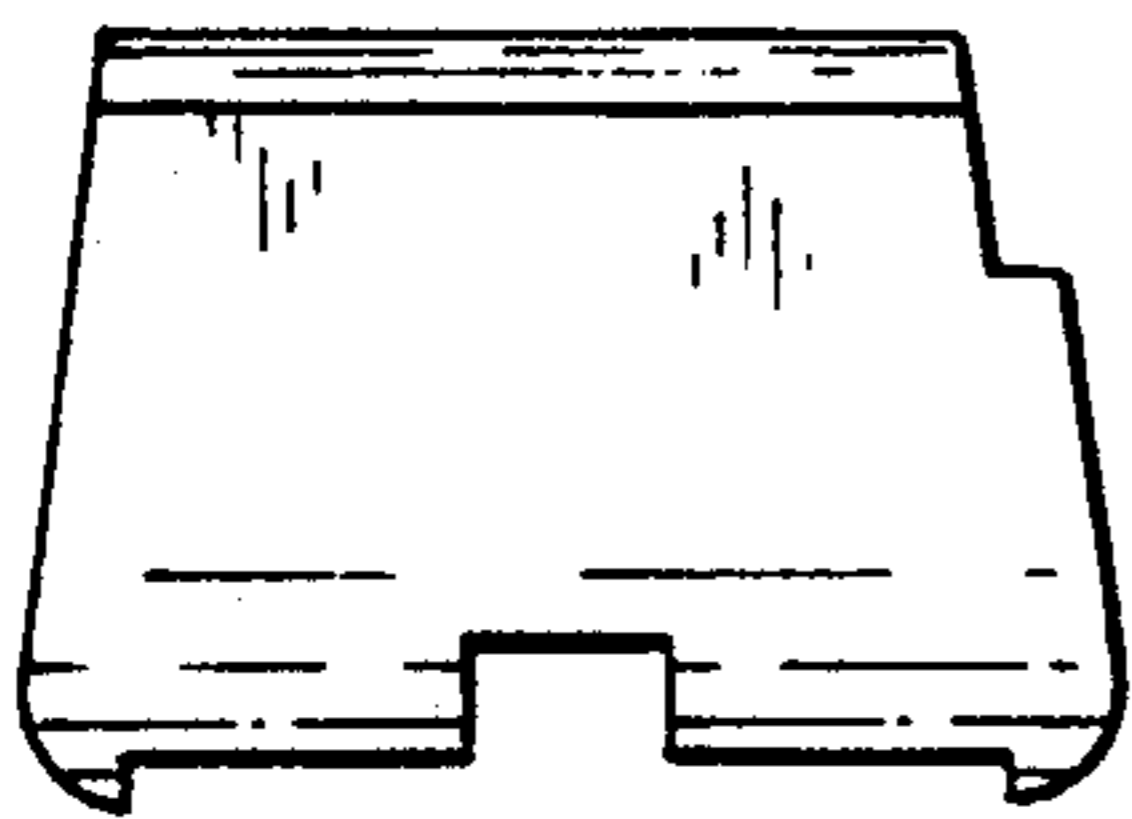


FIG. 10

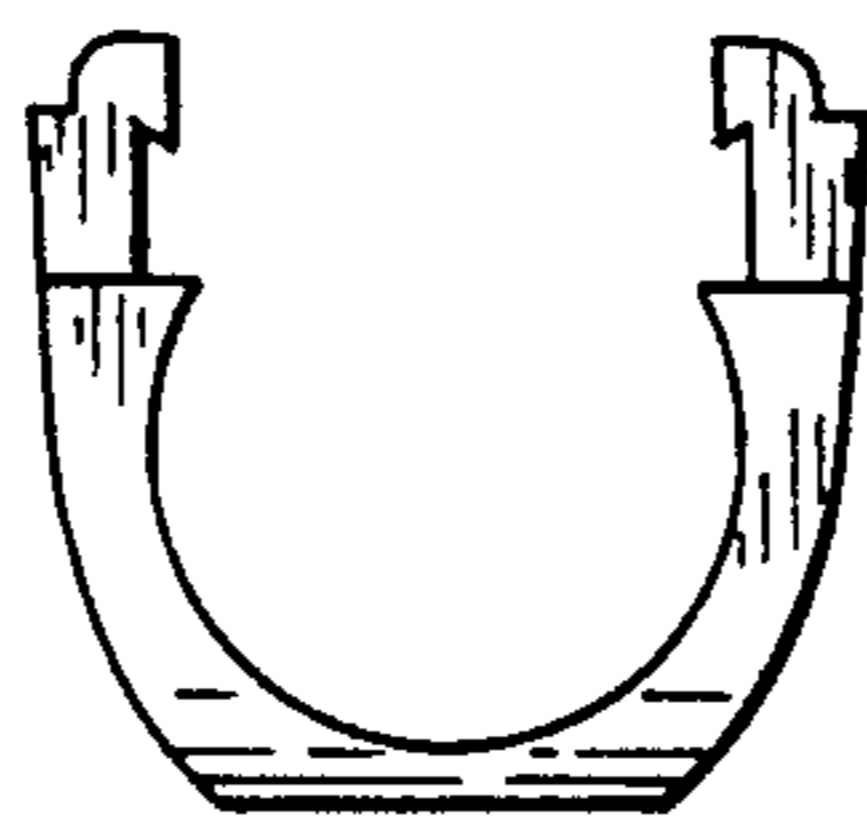


FIG. 11

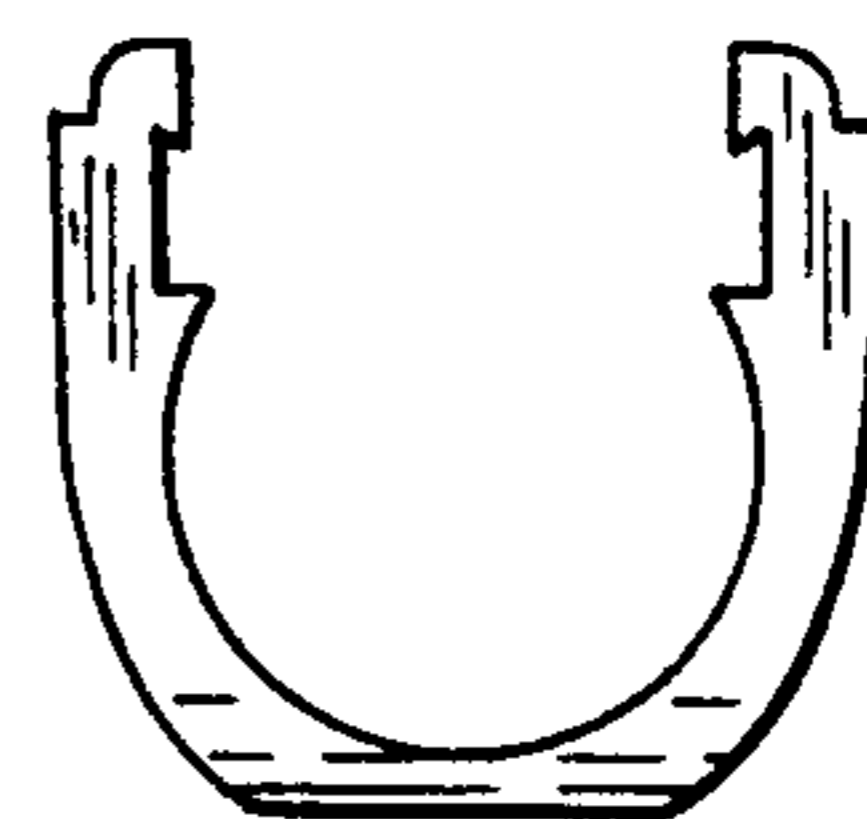


FIG. 12

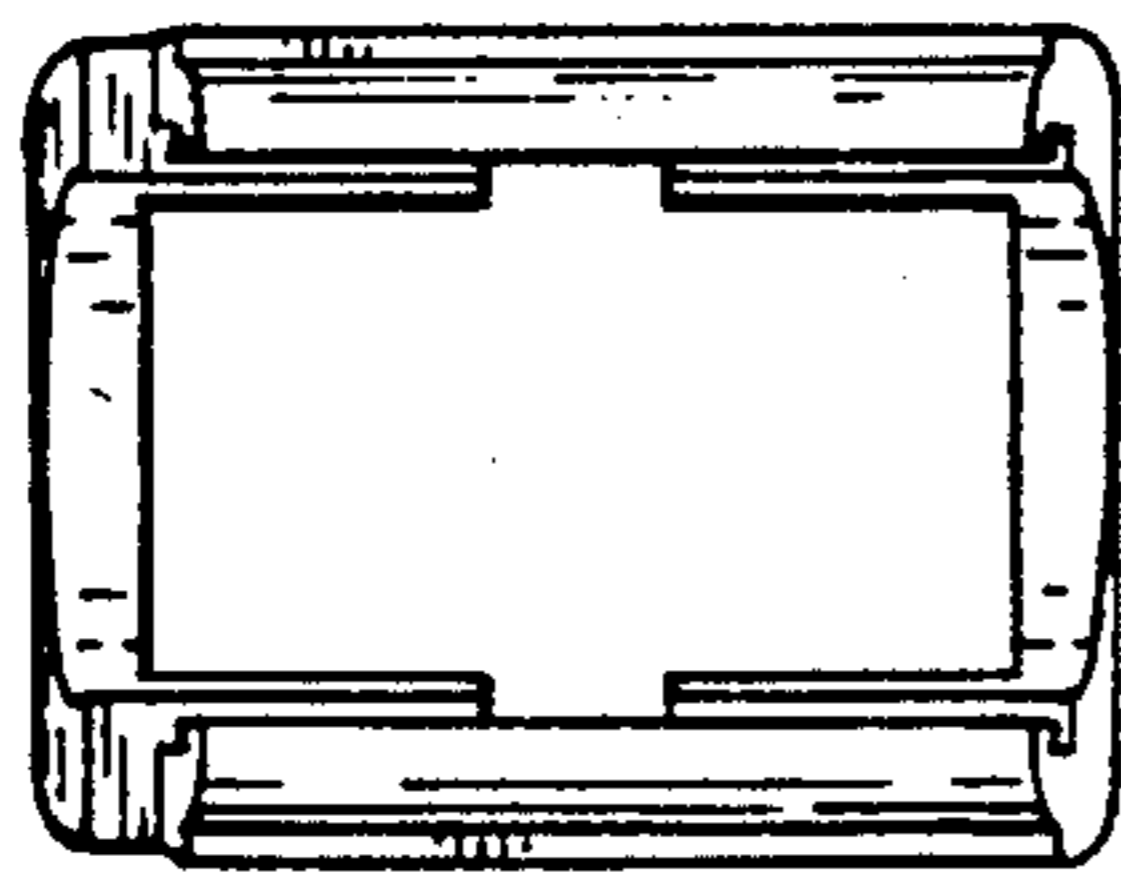


FIG. 13

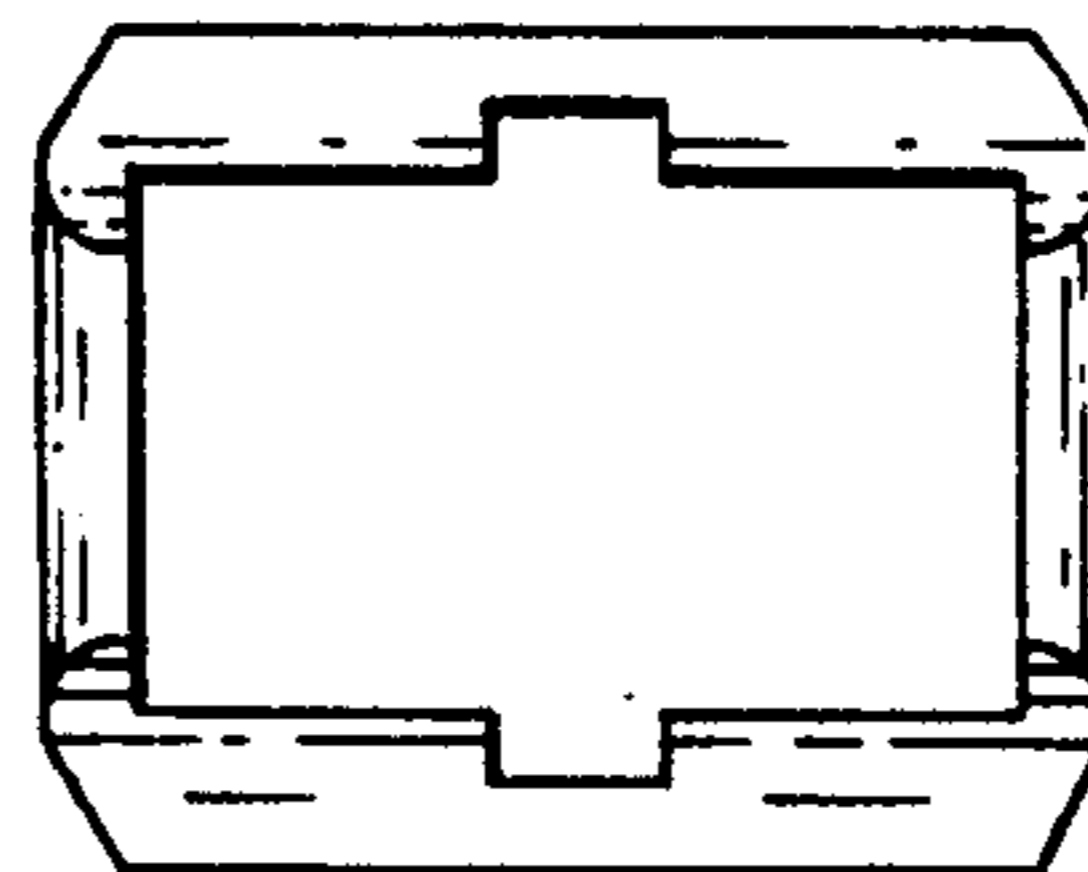


FIG. 14

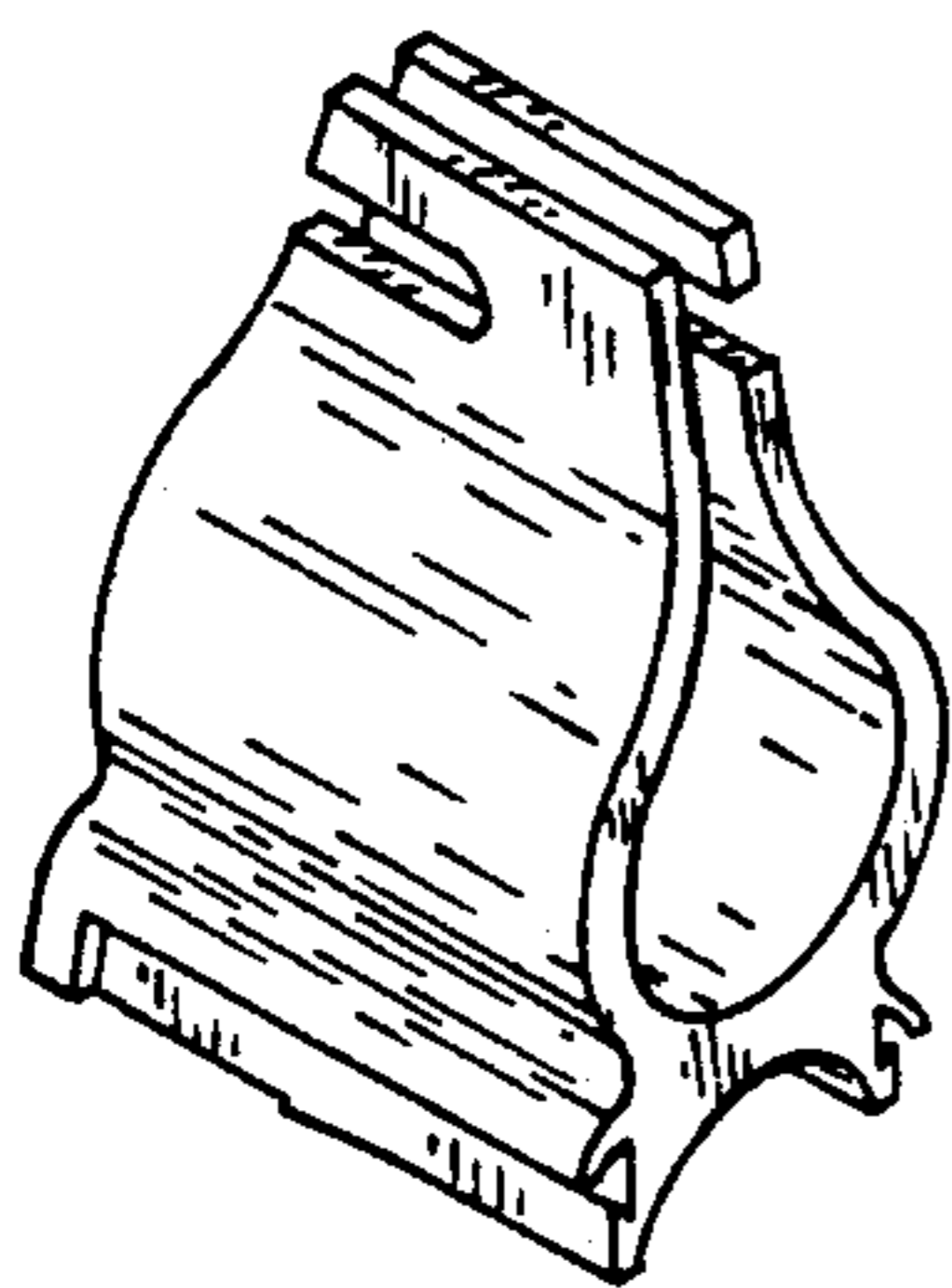


FIG. 15

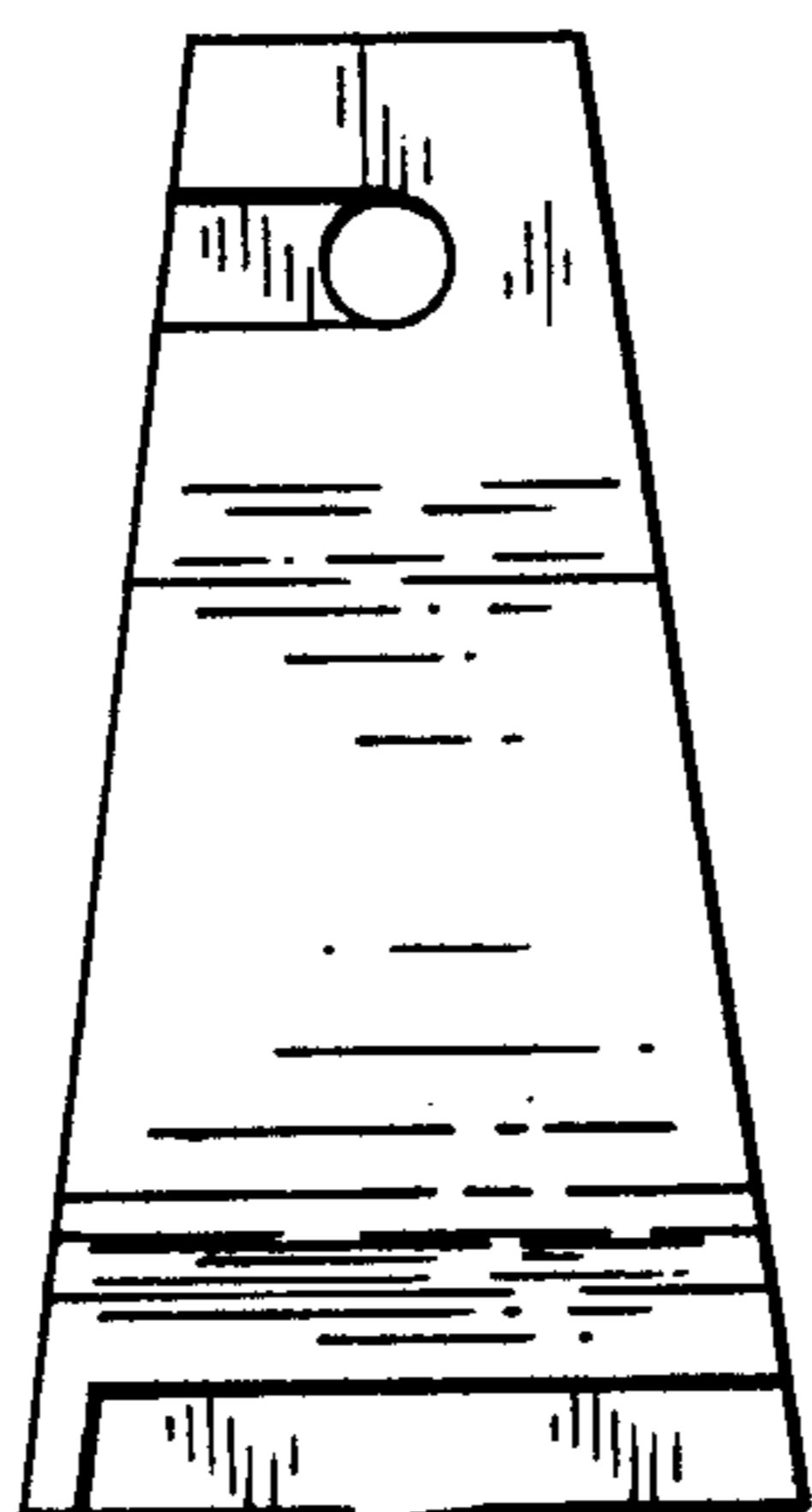


FIG. 16

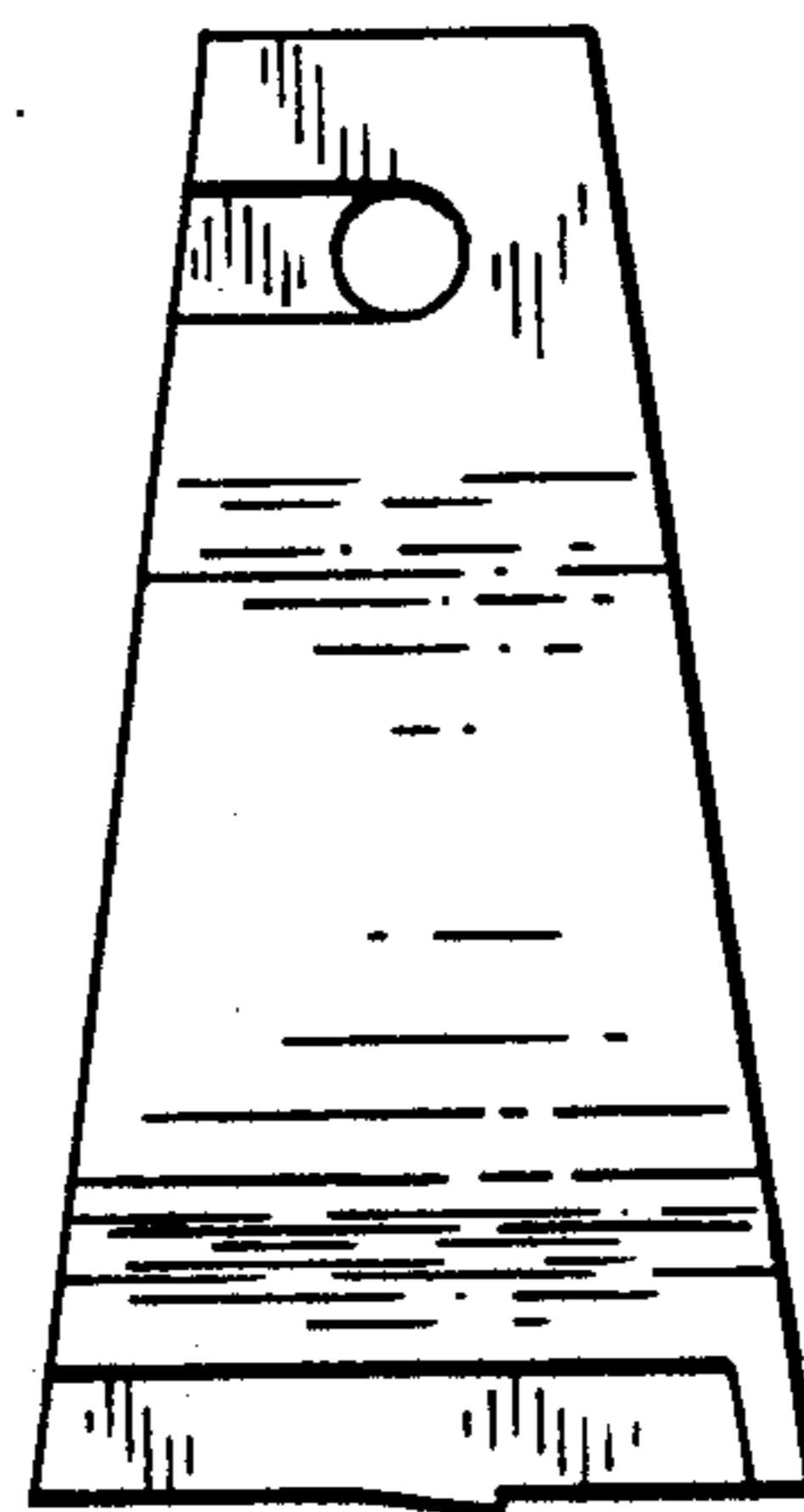


FIG. 17

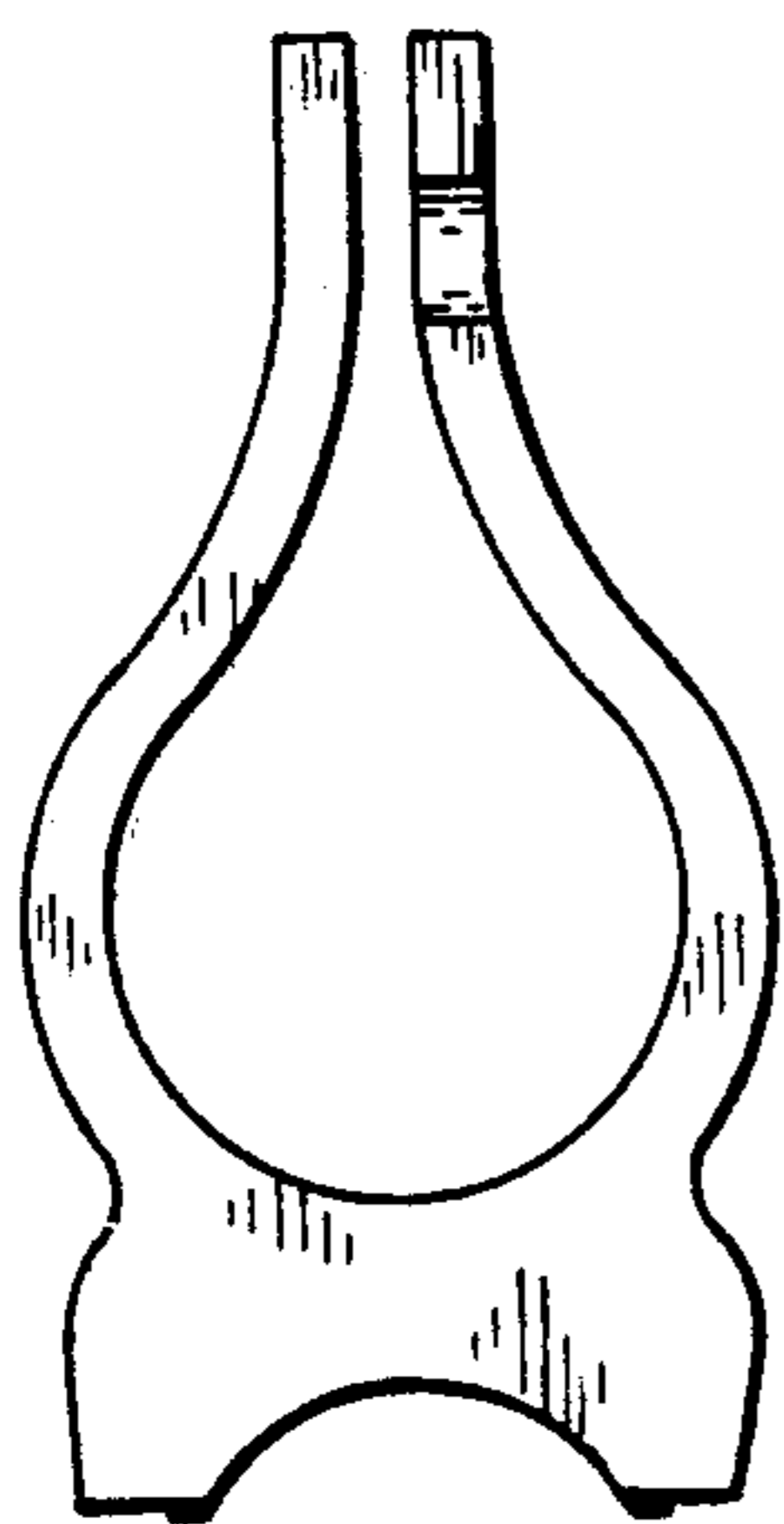


FIG. 18

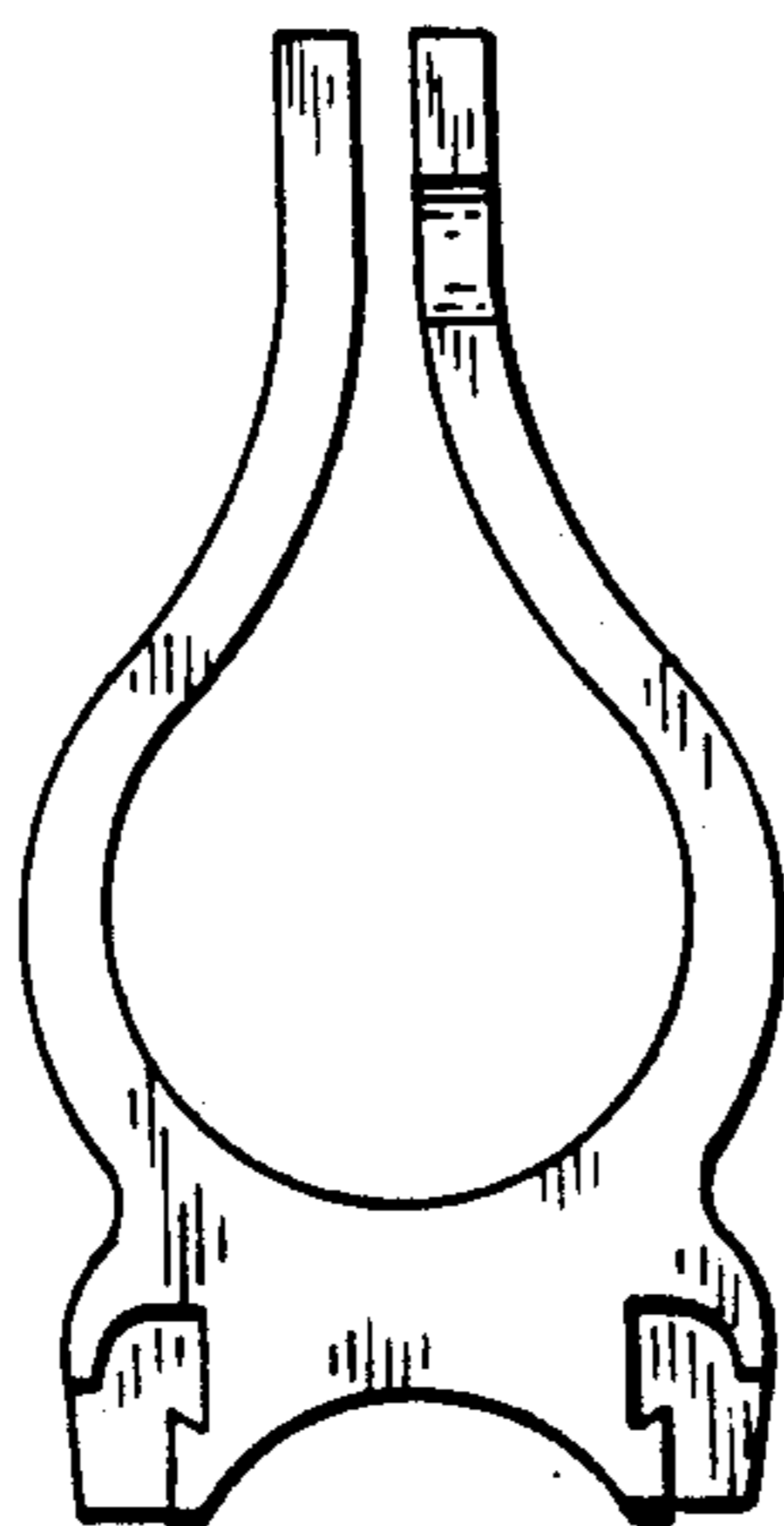


FIG. 19

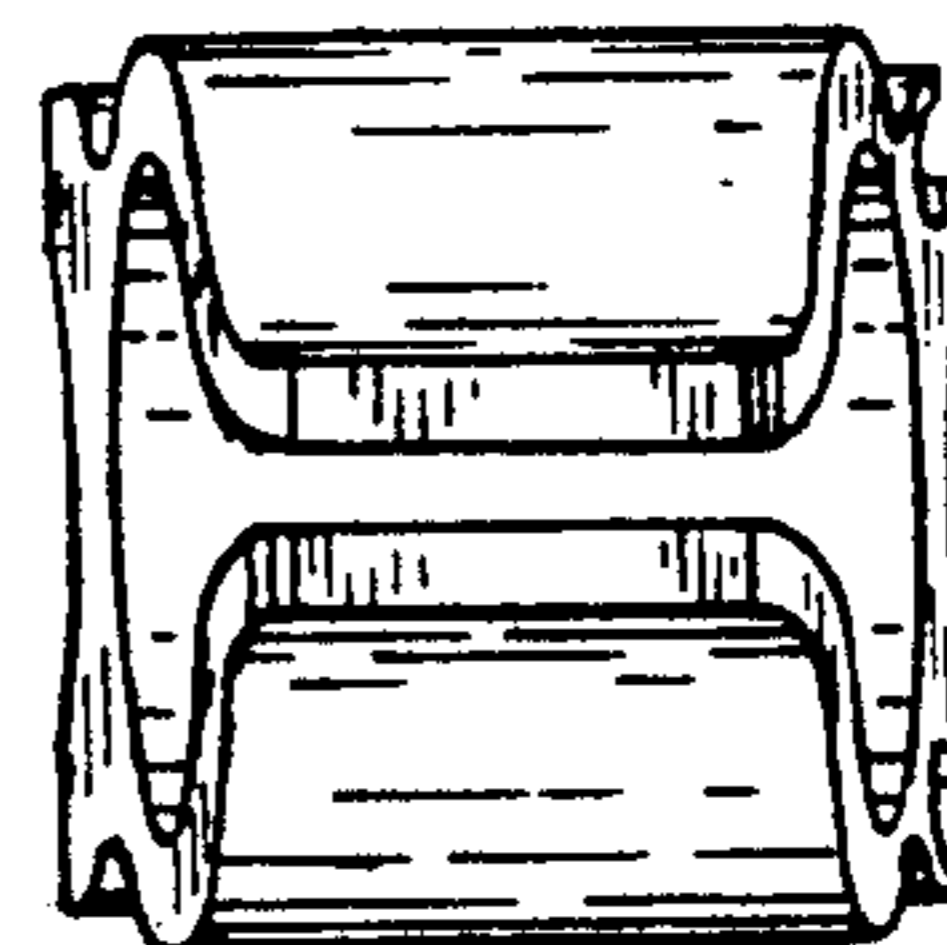


FIG. 20

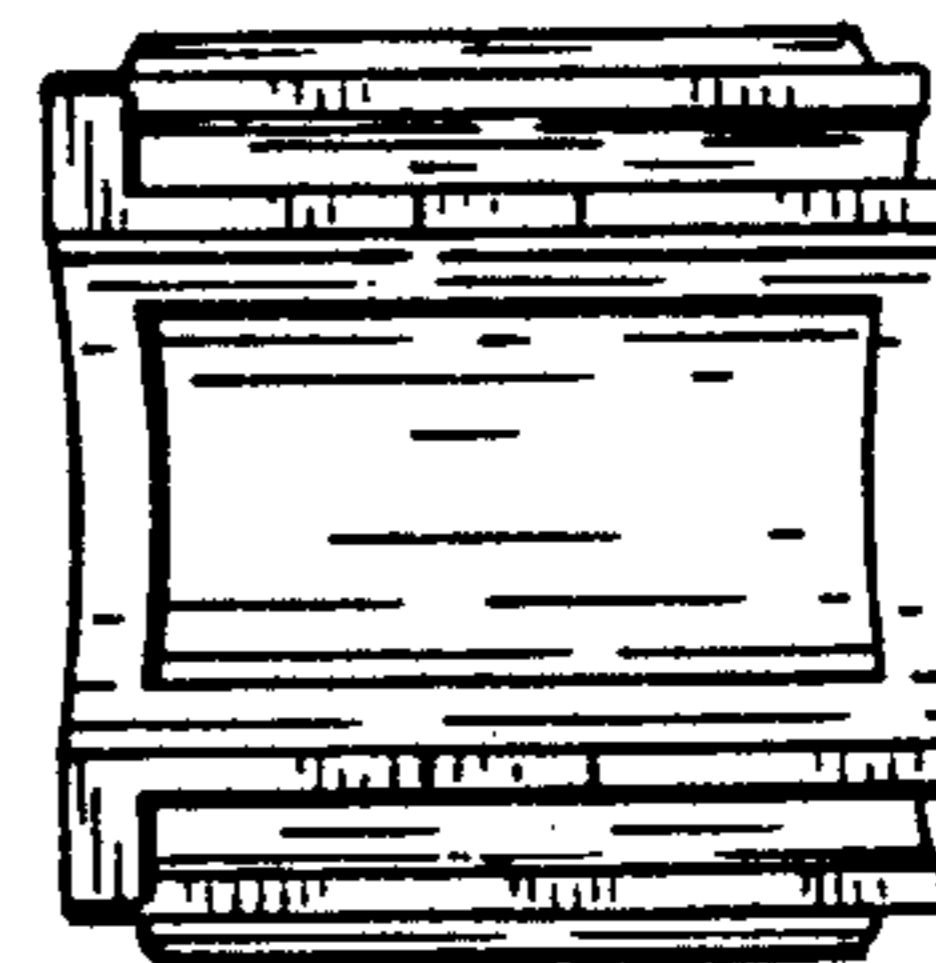


FIG. 21

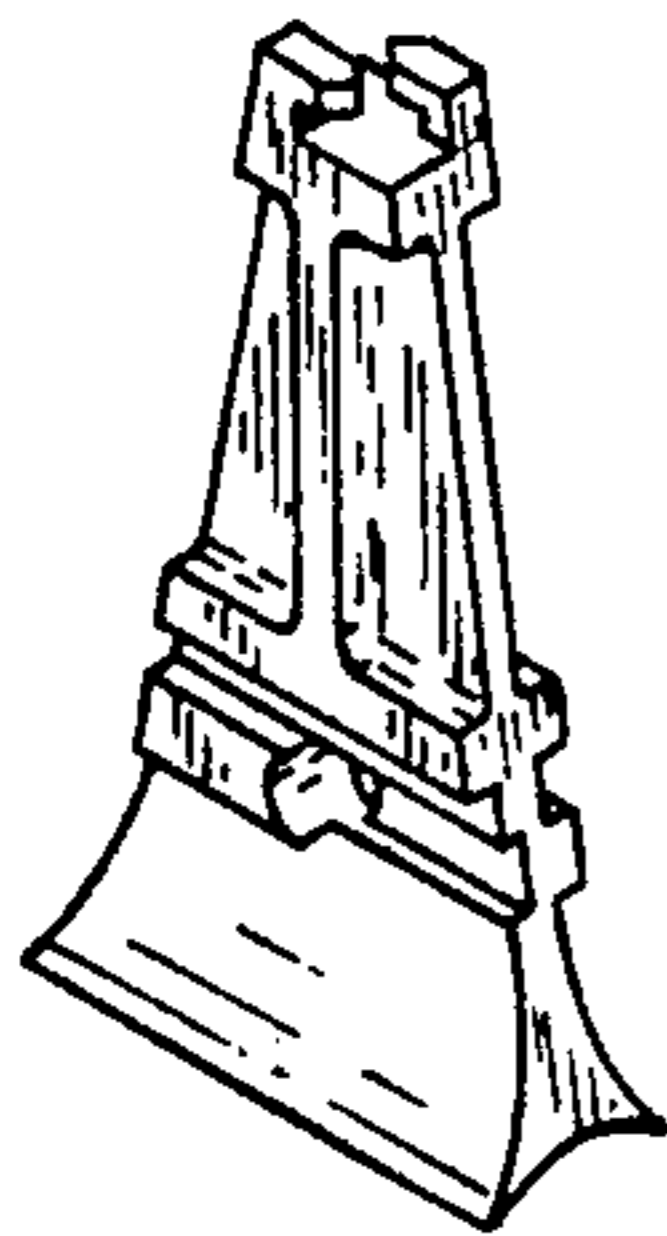


FIG. 22

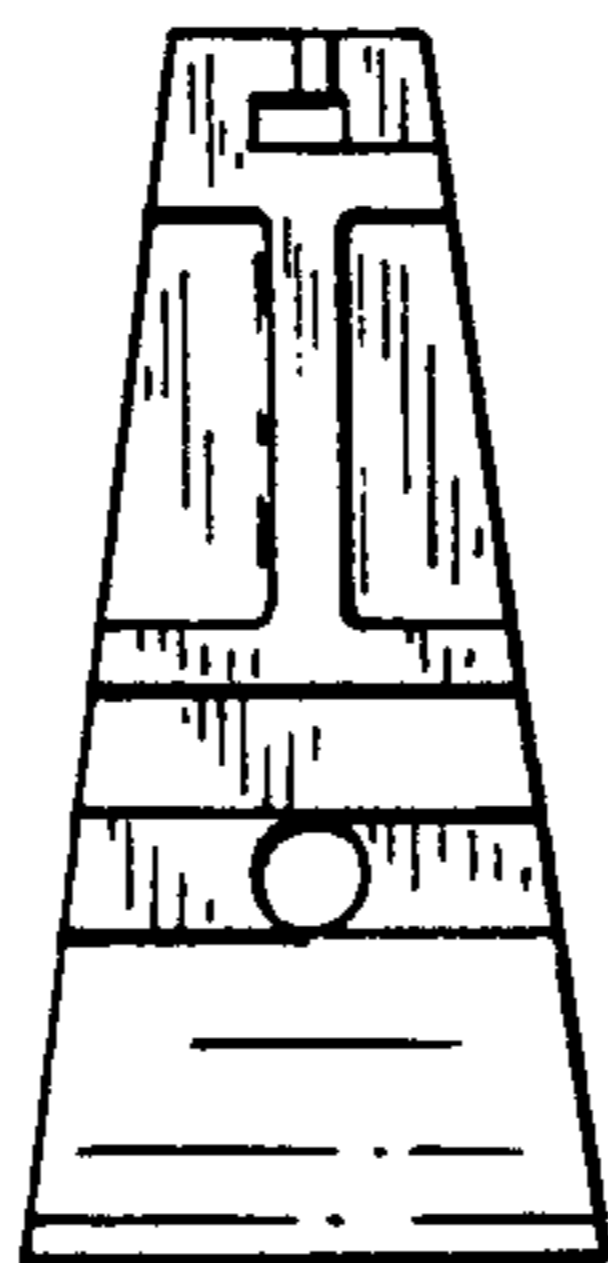


FIG. 23

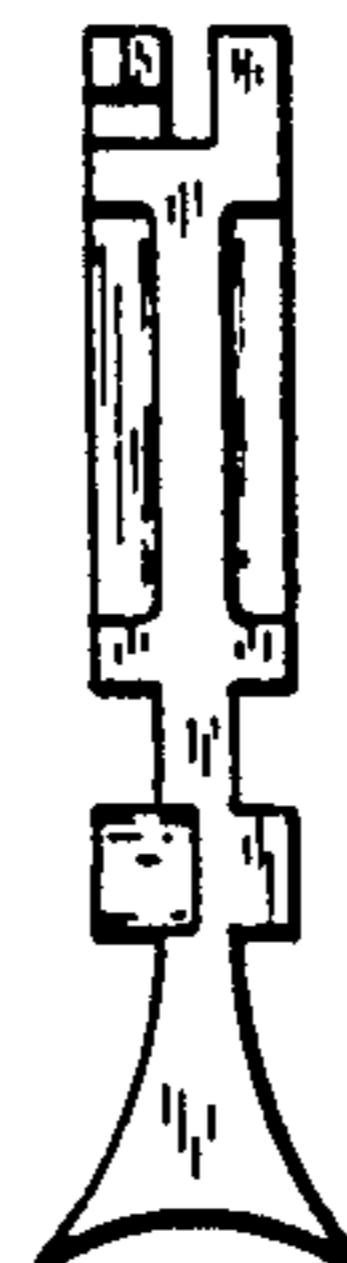


FIG. 24



FIG. 25

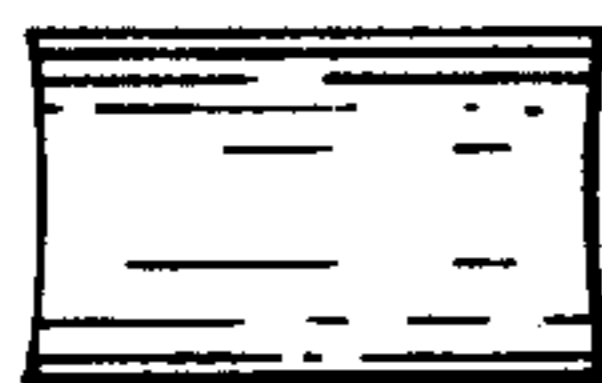


FIG. 26

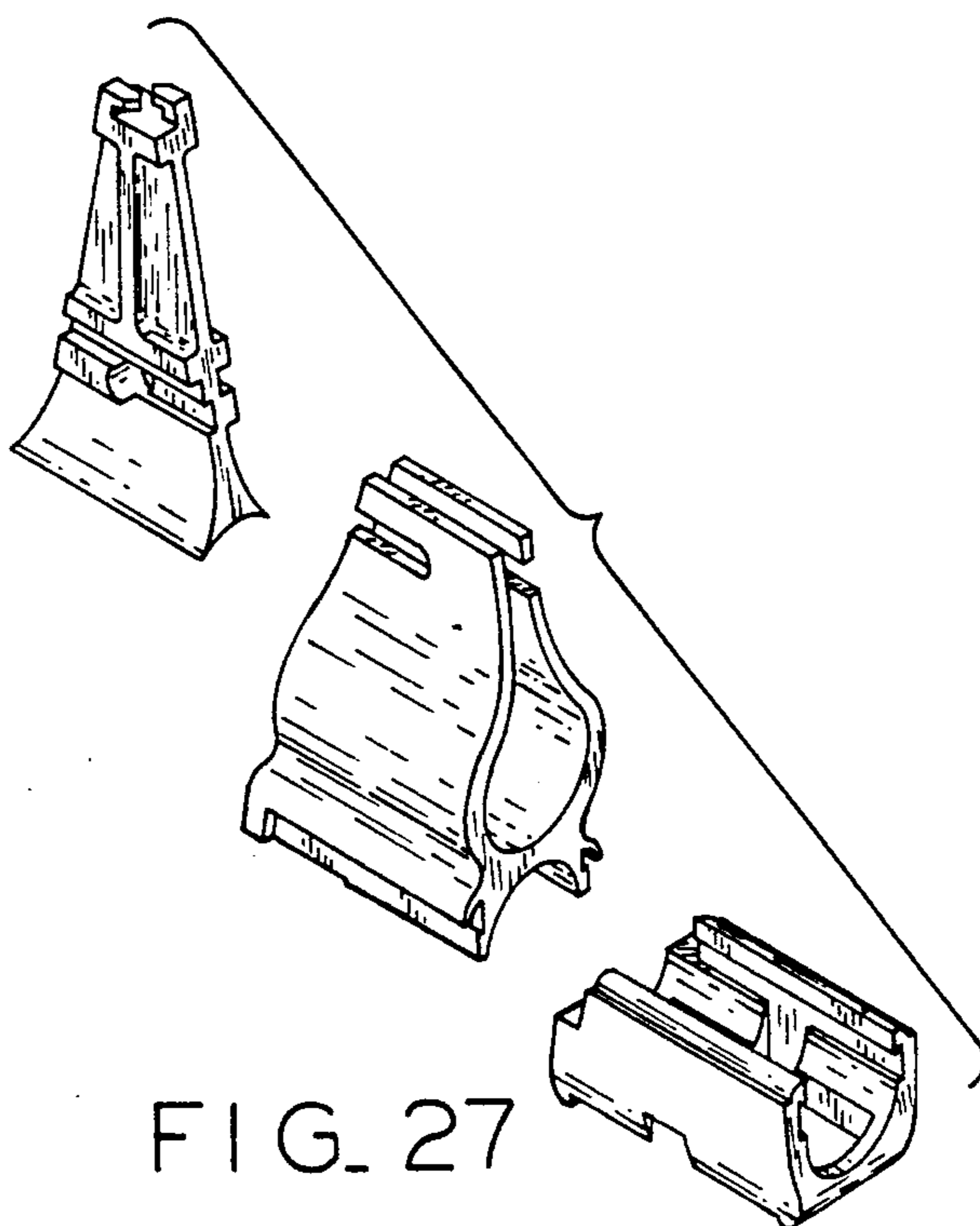


FIG. 27