



US00D339736S

United States Patent [19]

Harada

[11] Patent Number: **Des. 339,736**

[45] Date of Patent: **** Sep. 28, 1993**

[54] **CASTER**

[75] Inventor: **Takuma Harada**, Tokyo, Japan

[73] Assignee: **Sugatsune Industrial Co., Ltd.**,
Tokyo, Japan

[**] Term: **14 Years**

[21] Appl. No.: **791,591**

[22] Filed: **Nov. 13, 1991**

[30] **Foreign Application Priority Data**
May 13, 1991 [JP] Japan 3-13825

[52] **U.S. Cl.** **D8/375**

[58] **Field of Search** **D8/375; 16/18 R, 18 CG,**
16/47

2,255,113 9/1941 Greenleaf 16/18 R X
 2,659,100 11/1953 Cramer 16/18 CG X
 3,691,590 9/1972 Drabert 16/18 R
 3,818,541 6/1974 Daniels 16/18 R
 4,283,810 8/1981 Demrick 16/47
 4,773,122 9/1988 Wilcox 16/18 R

Primary Examiner—Wallace R. Burke
Assistant Examiner—H. Baynham
Attorney, Agent, or Firm—Jacobson, Price, Holman &
 Stern

[57] CLAIM

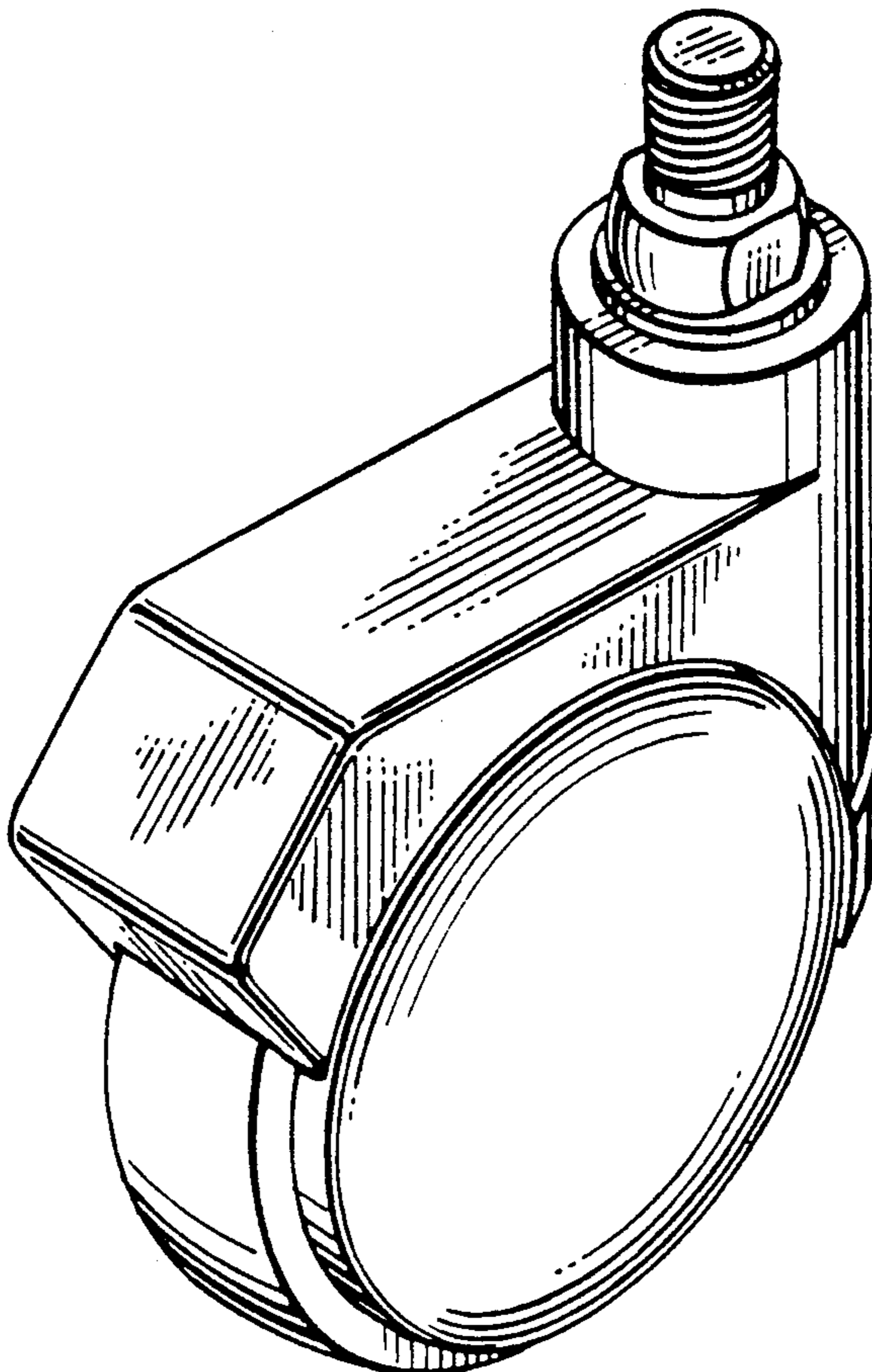
The ornamental design for a caster, as shown and described.

DESCRIPTION

FIG. 1 is a perspective view of a caster, showing my new design;
 FIG. 2 is a front view thereof;
 FIG. 3 is a top view thereof;
 FIG. 4 is a rear view thereof;
 FIG. 5 is a right side view thereof;
 FIG. 6 is a left side view thereof; and,
 FIG. 7 is a bottom view thereof.

[56] **References Cited**
U.S. PATENT DOCUMENTS

D. 108,948 3/1938 Johnson 16/18 CG X
 D. 272,416 1/1984 Soreen D8/375
 D. 274,215 6/1984 Caldwell D8/375
 D. 313,342 1/1991 Soreen D8/375



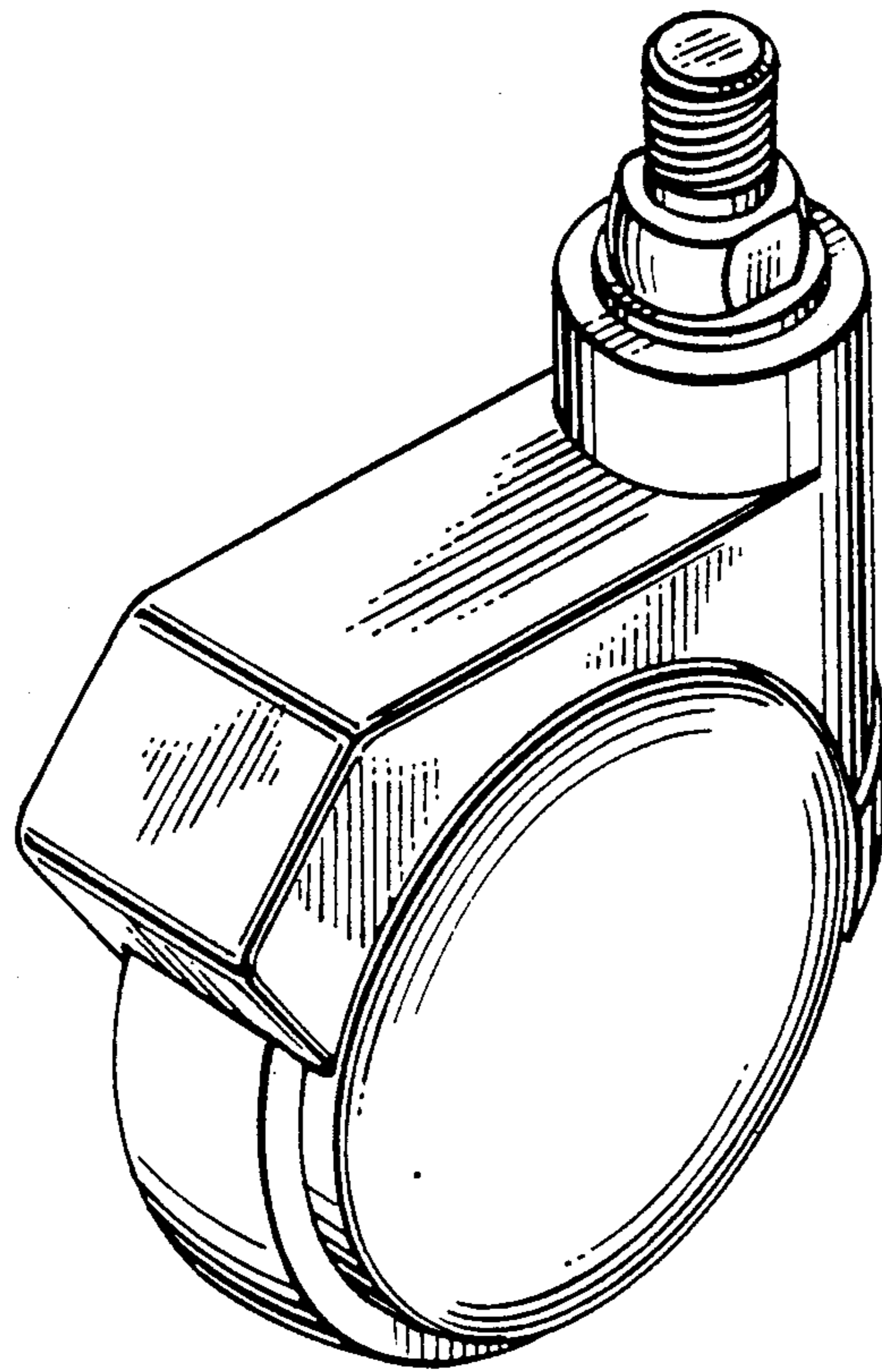


FIG. 1

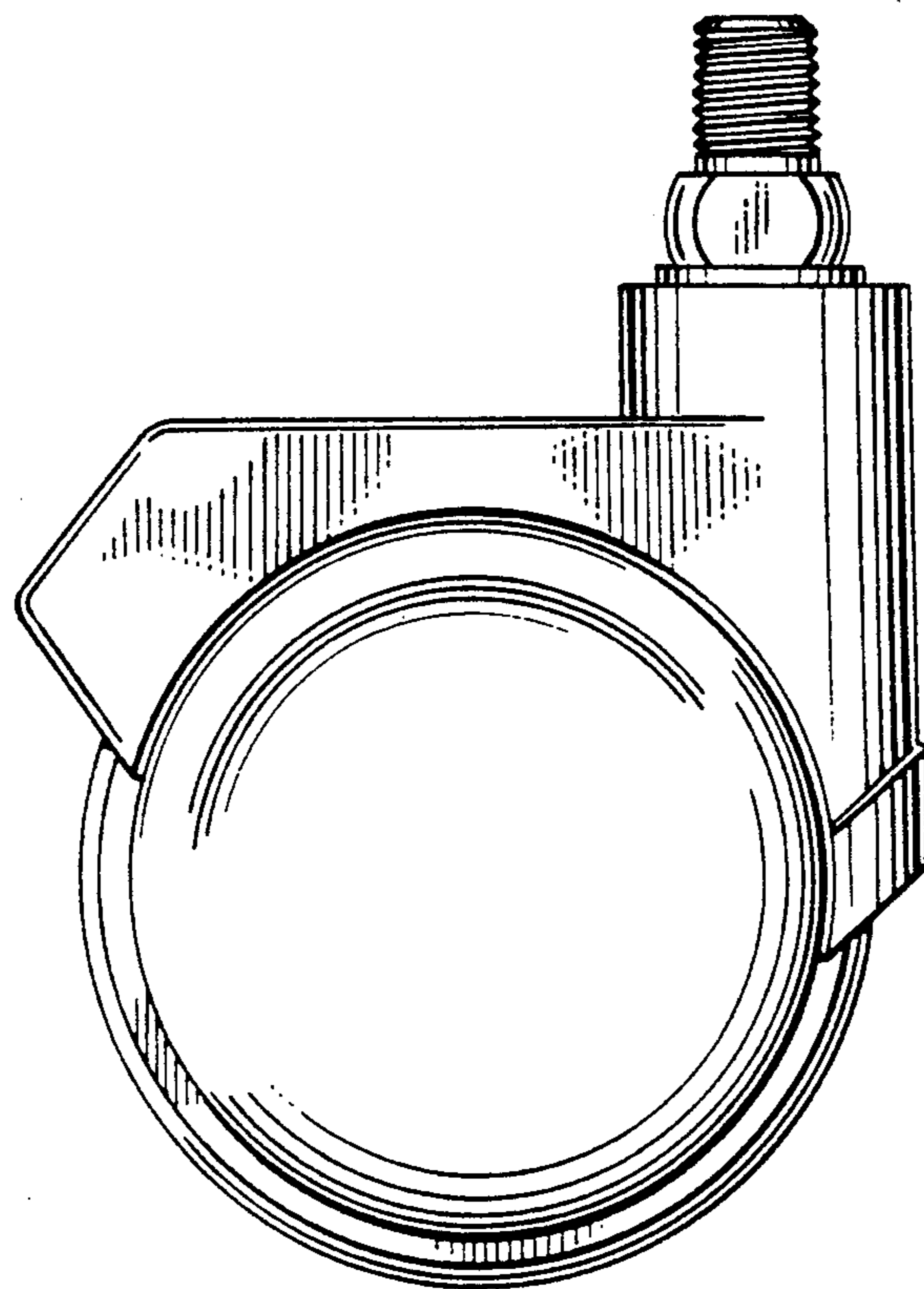


FIG. 2

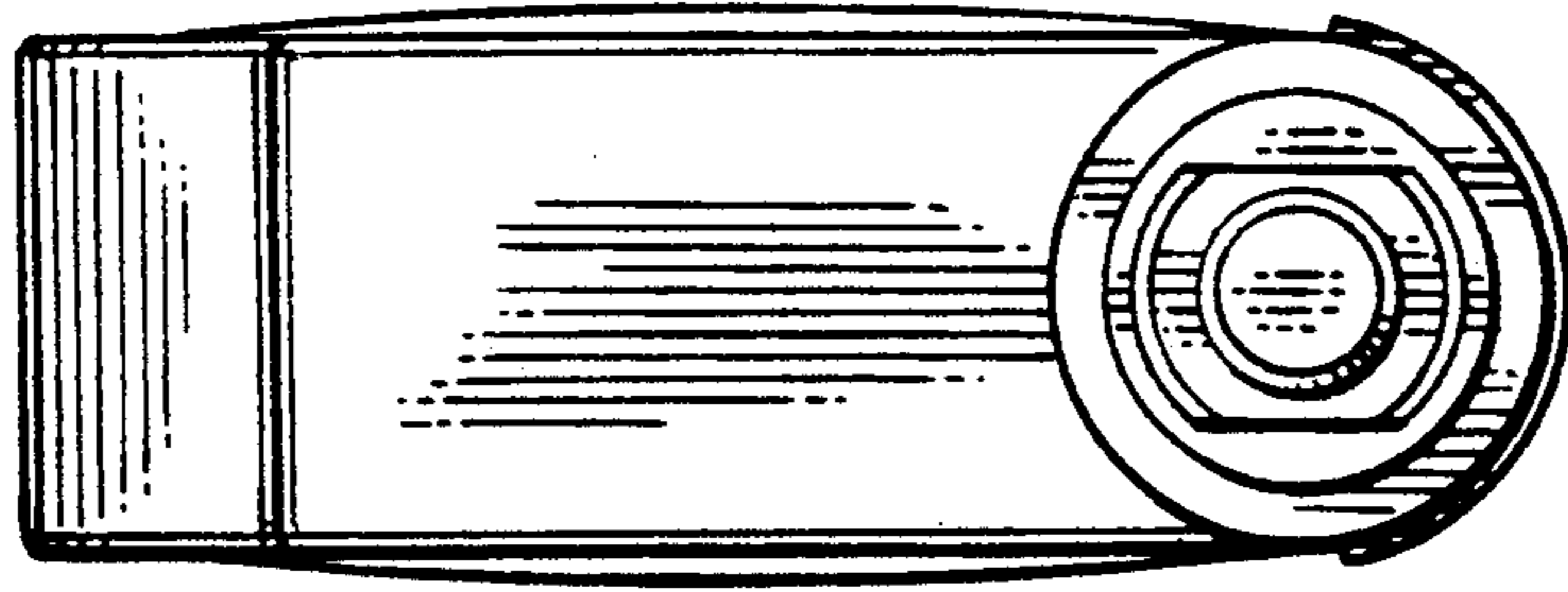


FIG. 3

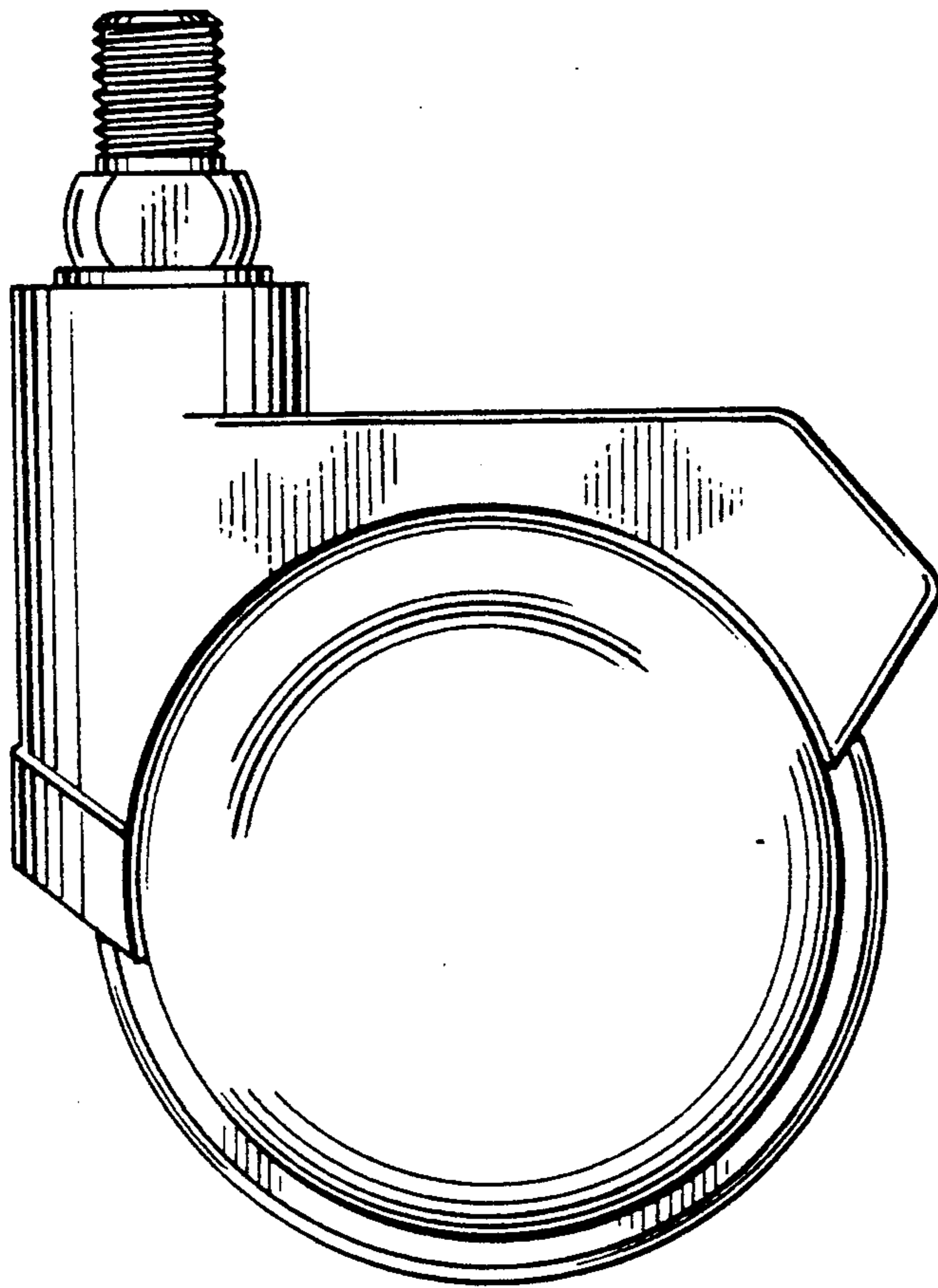


FIG. 4

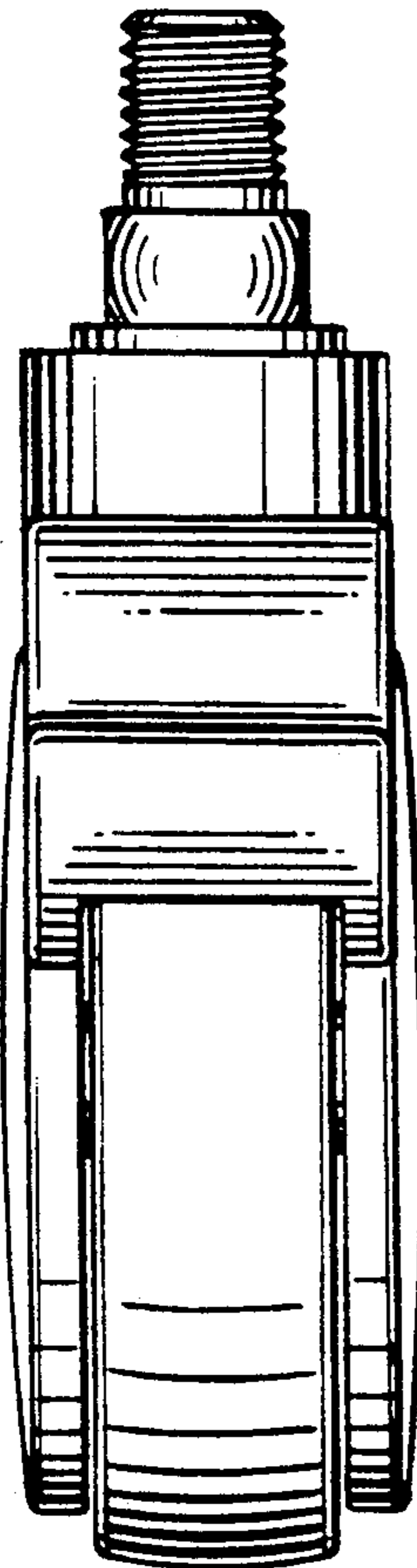


FIG. 5

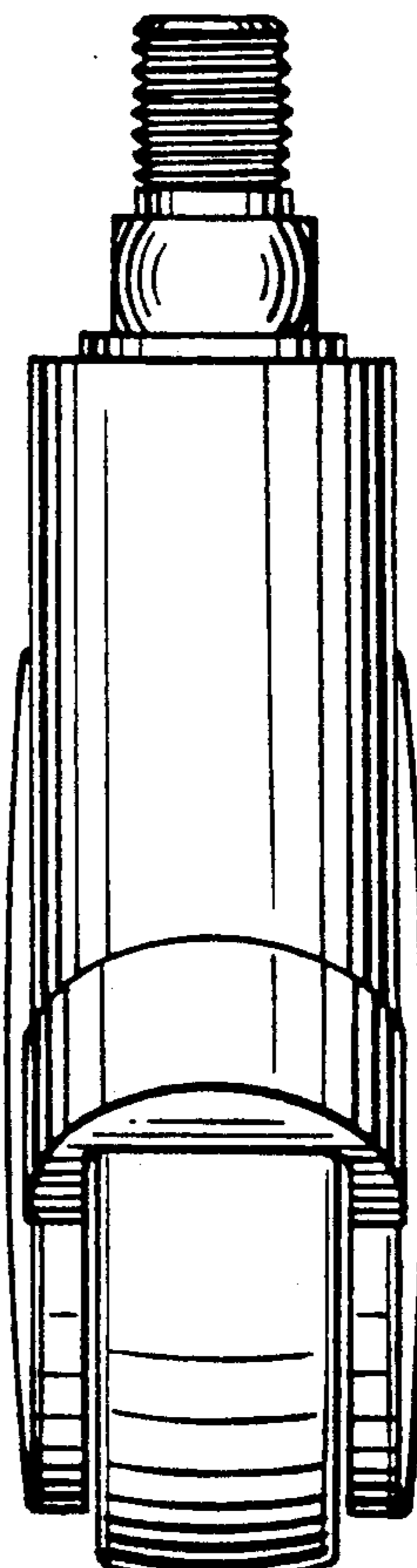


FIG. 6

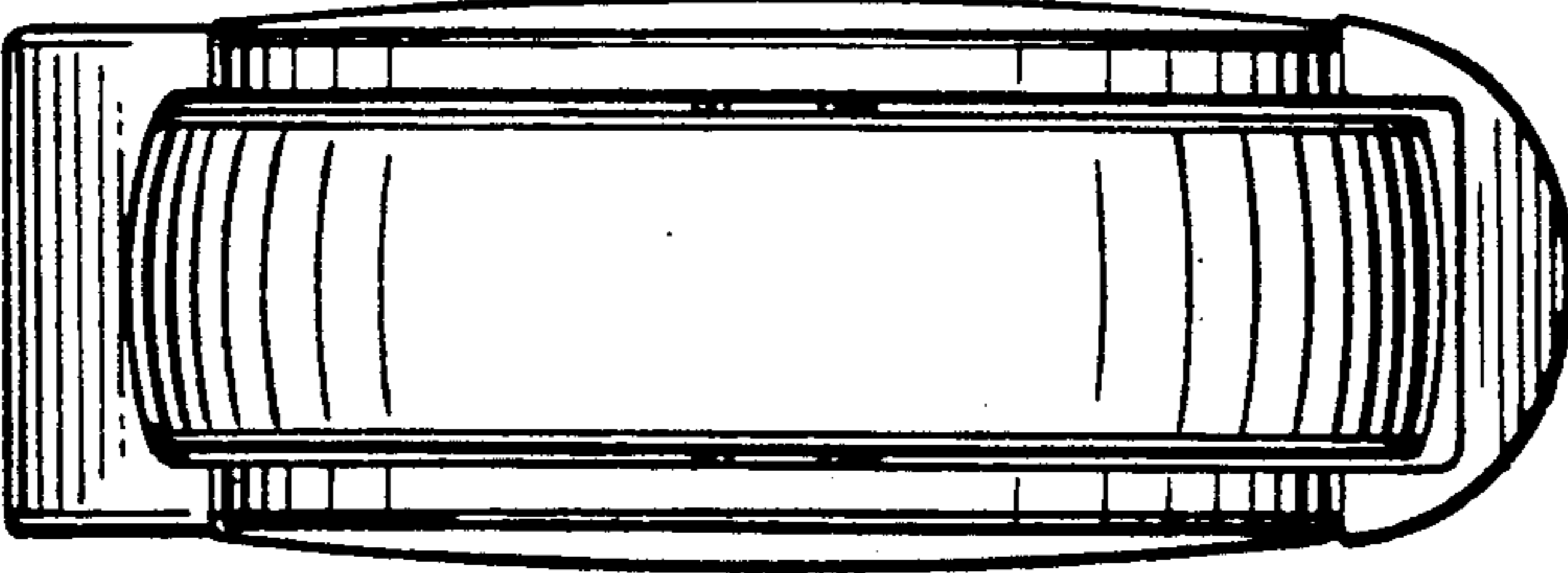


FIG. 7