



US00D339735S

United States Patent [19]

[11] Patent Number: **Des. 339,735**

Brennan

[45] Date of Patent: **** Sep. 28, 1993**

[54] STONE VENEER SUPPORT BRACKET

[75] Inventor: **Jeremiah T. Brennan, Riverside, Conn.**

[73] Assignee: **Miller-Druck Specialty Contracting, Inc., New York, N.Y.**

[**] Term: **14 Years**

[21] Appl. No.: **712,626**

[22] Filed: **Jun. 10, 1991**

[52] U.S. Cl. **D8/354**

[58] Field of Search **D8/349, 354, 380, 373, D8/363; 248/220.1, 534, 539, 536**

[56] References Cited

U.S. PATENT DOCUMENTS

- D. 299,809 2/1989 Hagedorn D8/349 X
- D. 301,833 6/1989 Hoover D12/317 X
- D. 312,382 11/1990 Ryll D8/349
- 4,949,929 8/1990 Kesselman et al. 248/220.1

OTHER PUBLICATIONS

Handbook of Small Standardized Components, Jun. 8, 1981, p. 257, Spacer, located in top right-hand corner. Catalog of Hohmann & Barnard, Inc., copyright 1976, "Stone Accessories".

Primary Examiner—Wallace R. Burke
Assistant Examiner—H. Baynham
Attorney, Agent, or Firm—Kirschstein et al.

[57] CLAIM

The ornamental design for a stone veneer support bracket, as shown.

DESCRIPTION

FIG. 1 is a top, front and right side perspective view of a stone veneer support bracket showing my new design; FIG. 2 is a front elevational view thereof; FIG. 3 is a left side elevational view thereof, the right side being a mirror image; FIG. 4 is a top plan view thereof; FIG. 5 is a rear elevational view thereof; and, FIG. 6 is a bottom plan view thereof.

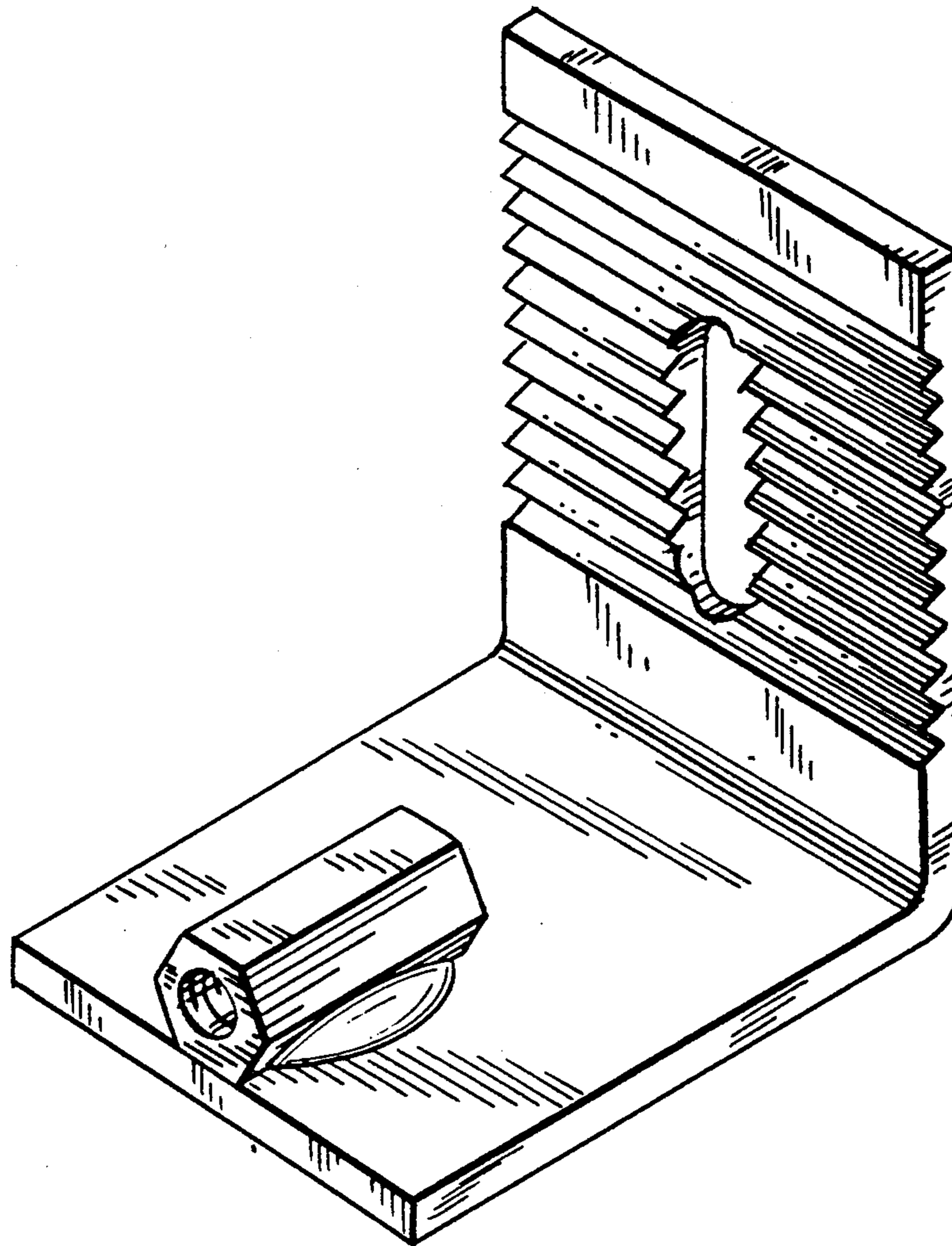


FIG. 1

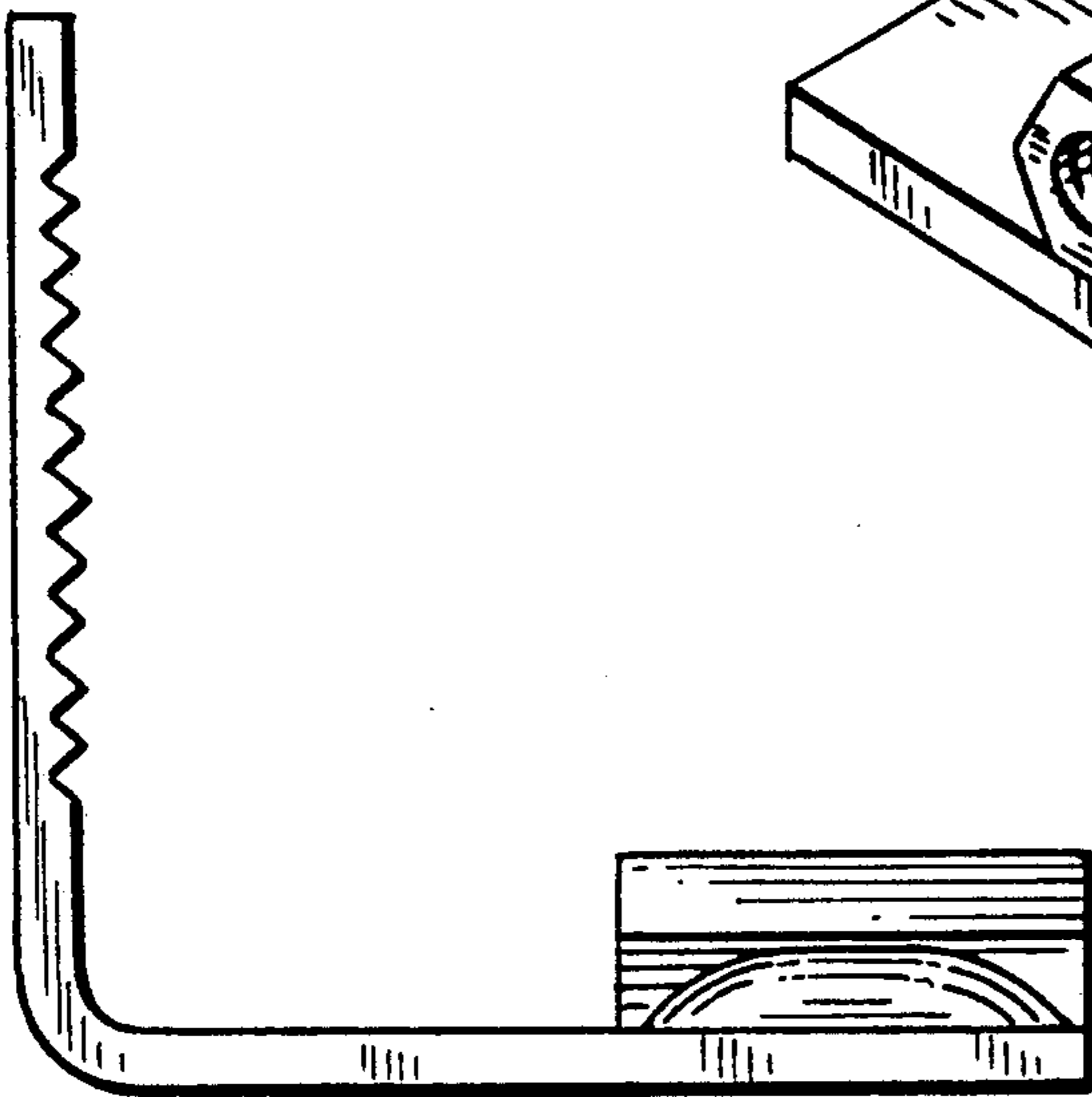
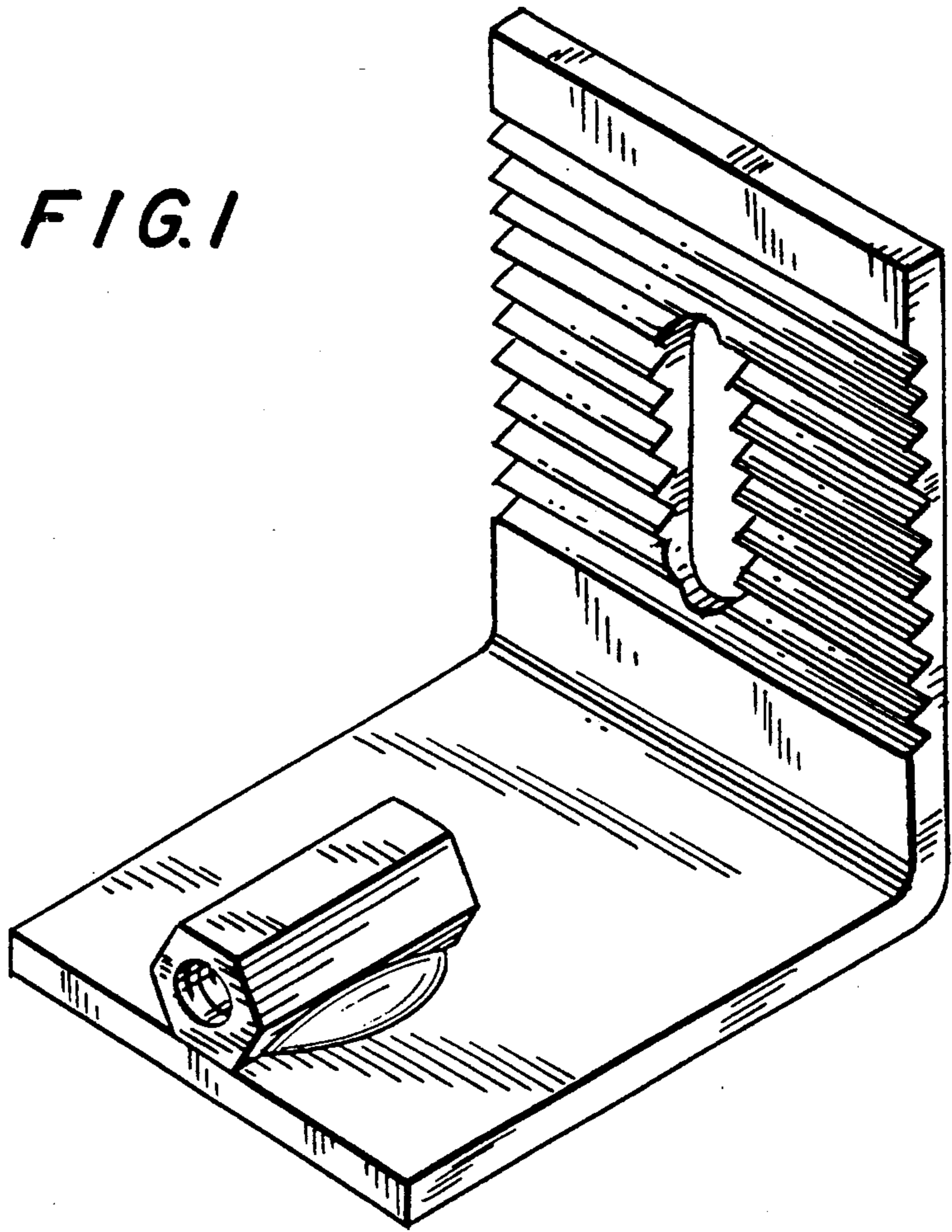


FIG. 3

FIG. 2

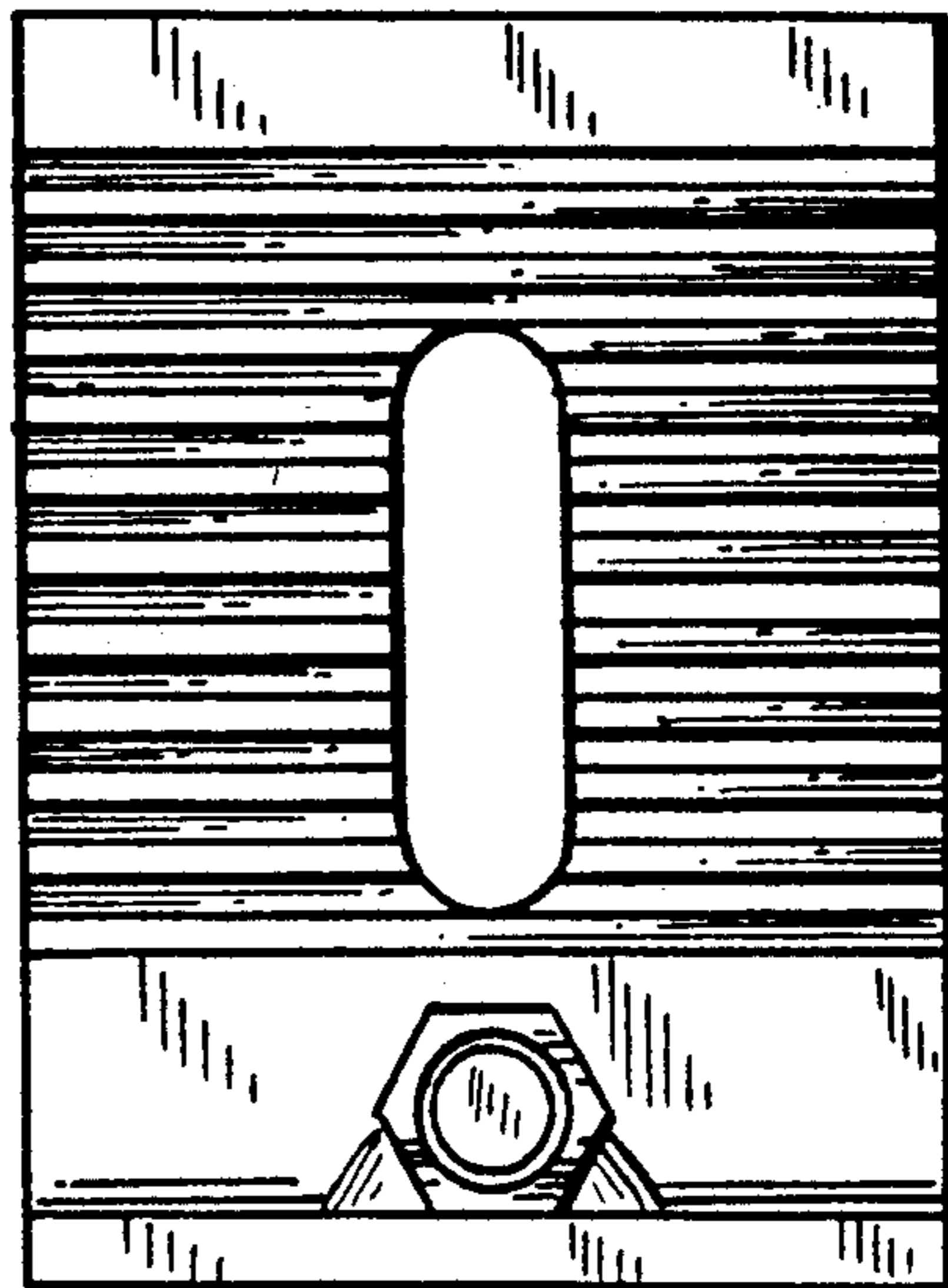


FIG. 4

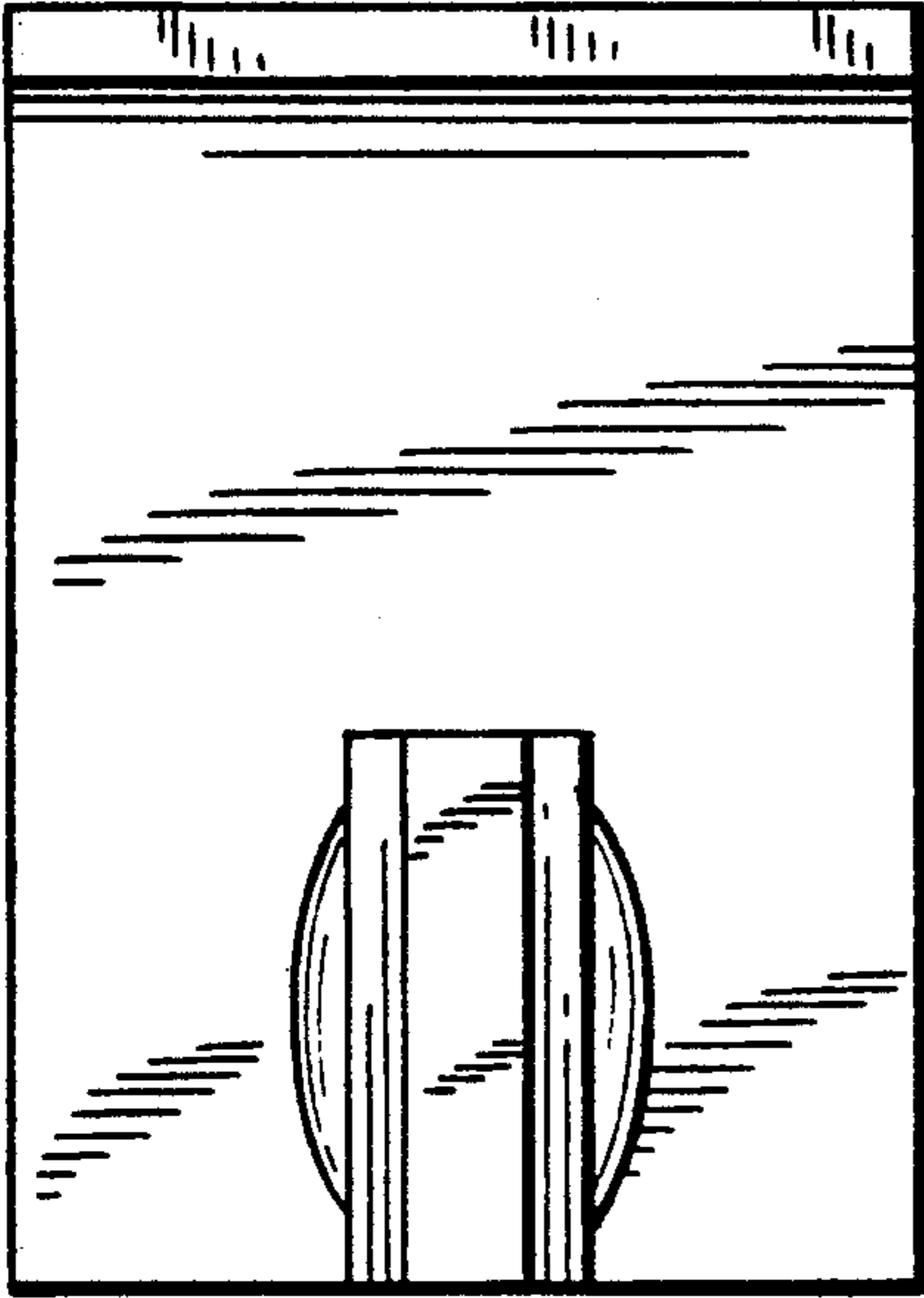


FIG. 5

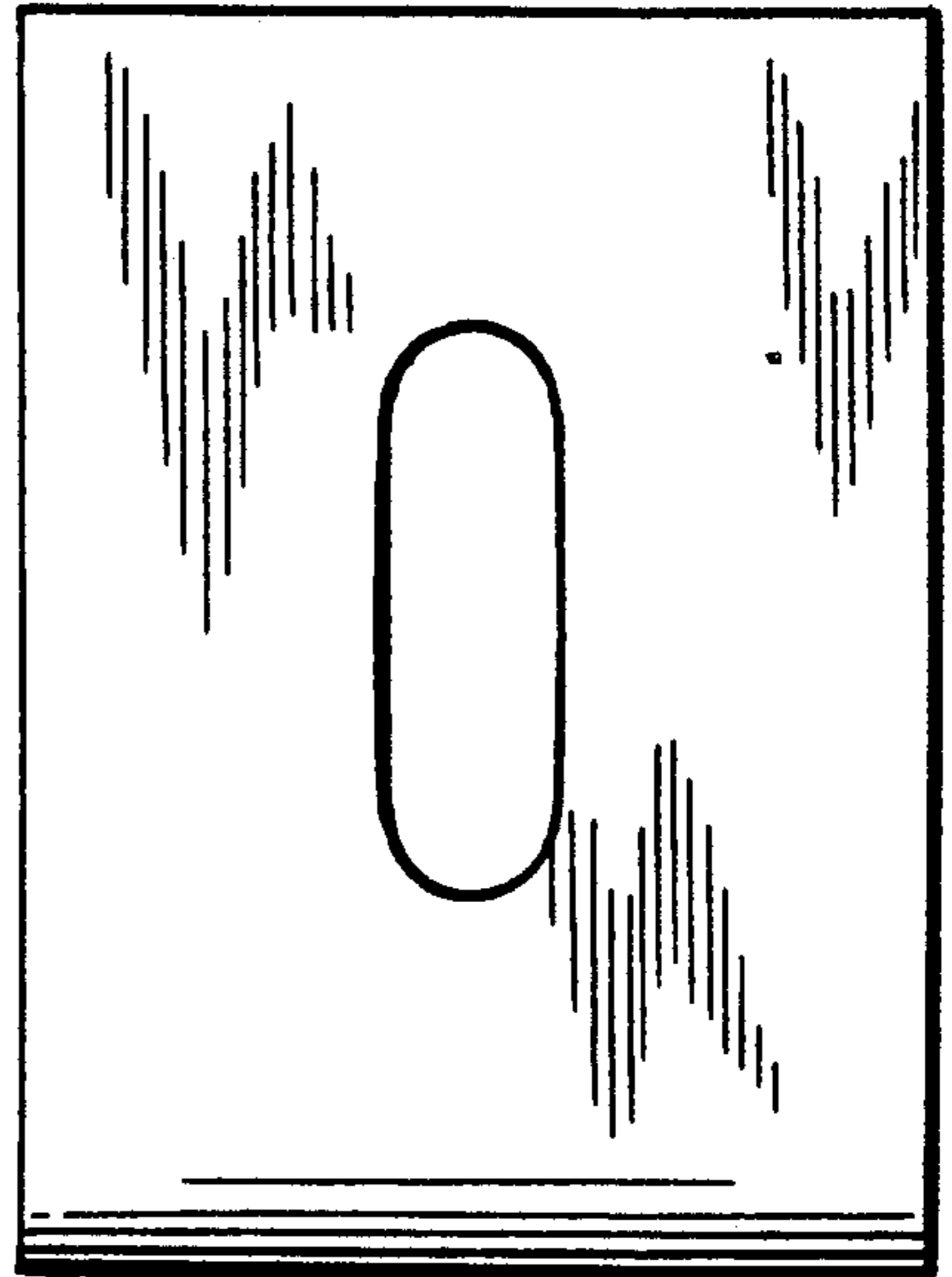


FIG. 6

