



US00D339732S

# United States Patent [19]

[11] Patent Number: **Des. 339,732**

Stewart

[45] Date of Patent: **\*\* Sep. 28, 1993**

[54] **TOOL HANDLE**

[75] Inventor: **Weldon R. Stewart, Austin, Tex.**

[73] Assignee: **Durol Western Manufacturing Co., Inc., Luling, Tex.**

[\*\*] Term: **14 Years**

[21] Appl. No.: **843,973**

[22] Filed: **Feb. 28, 1992**

[52] U.S. Cl. .... **D8/107**

[58] Field of Search ..... **D8/14, 107, 31, 42, D8/97; 16/110 R, 116 R; 81/15.2, 15.4, 15.7, 15.8, 177.1, 436**

2,729,124	1/1956	Farandatos .....	D8/42
2,951,482	9/1960	Sullivan .....	D8/97
3,111,048	11/1963	Gruber .....	81/15.2
3,257,875	6/1966	Chambers et al. ....	81/15.7
3,783,715	1/1974	Niconchuk .....	81/15.7
3,945,273	3/1976	Wolk .....	D8/31
4,060,115	11/1977	Bocanegra-Marquina .....	81/436
4,763,546	8/1988	Yeh et al. ....	81/15.7

### OTHER PUBLICATIONS

Tech Tire Repairs Catalog, issued by Technical Rubber Company of Johnstown Ohio p. 13 Copyright 1989.

*Primary Examiner*—Bernard Ansher  
*Assistant Examiner*—P. Hyder  
*Attorney, Agent, or Firm*—W. J. Scherback

[56] **References Cited**

**U.S. PATENT DOCUMENTS**

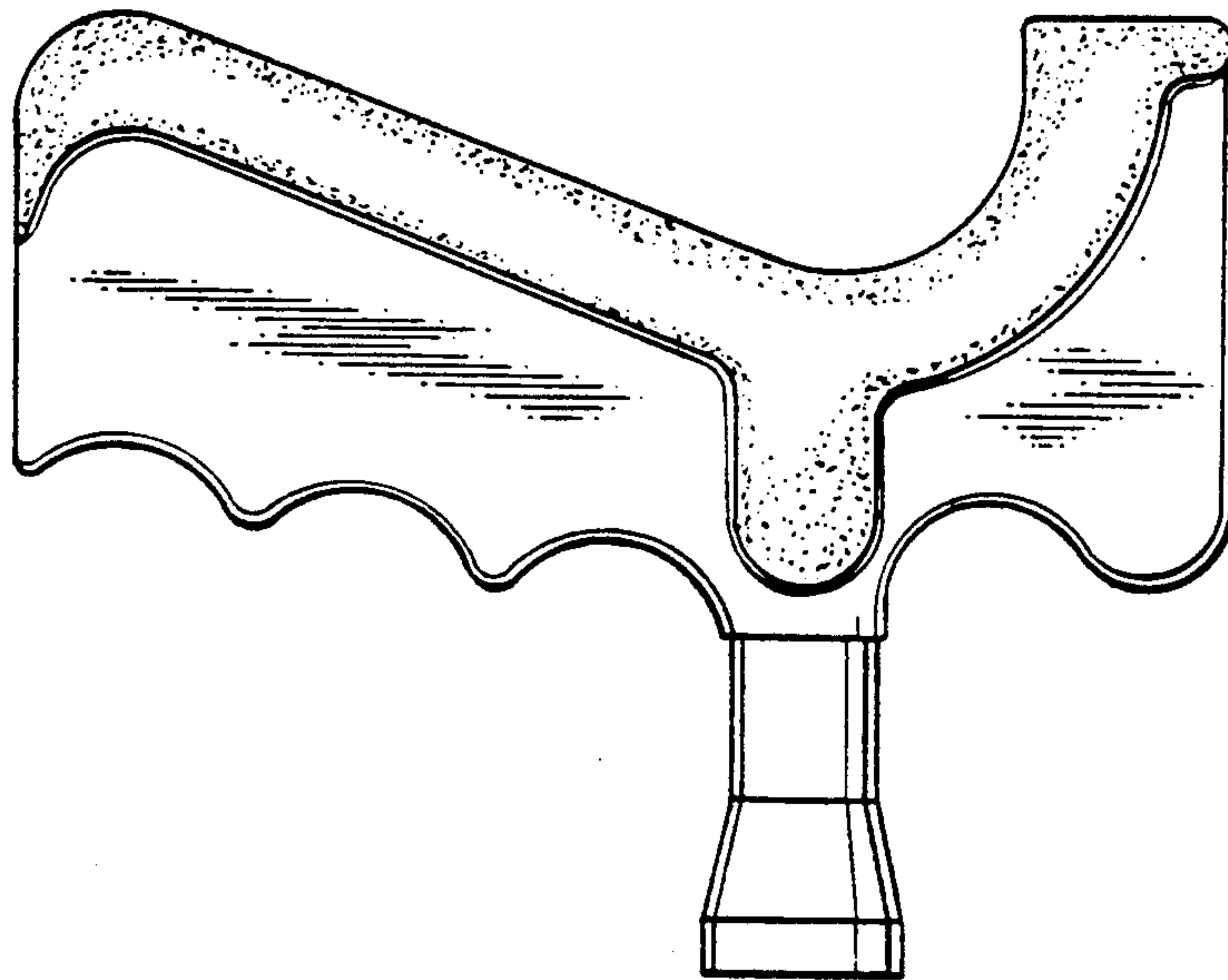
D. 86,179	2/1932	Pelouch et al. ....	D8/107
D. 208,211	8/1967	Holder .....	D8/31
D. 259,698	6/1981	MacNeill .....	D8/107
D. 269,773	7/1983	Niconchuk .....	D8/31
D. 280,463	9/1985	Sheahan .....	D8/107
D. 282,713	2/1986	Flory et al. ....	D8/107
D. 283,769	9/1986	Flory et al. ....	D8/107
2,653,638	9/1953	Nelson .....	D8/82

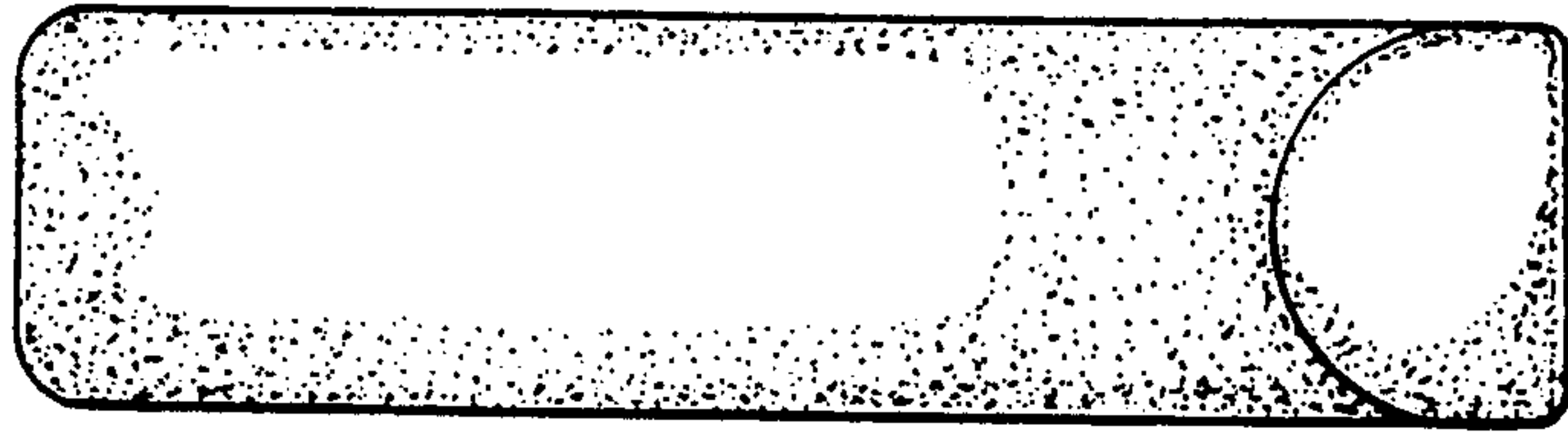
[57] **CLAIM**

The ornamental design for a tool handle, as shown.

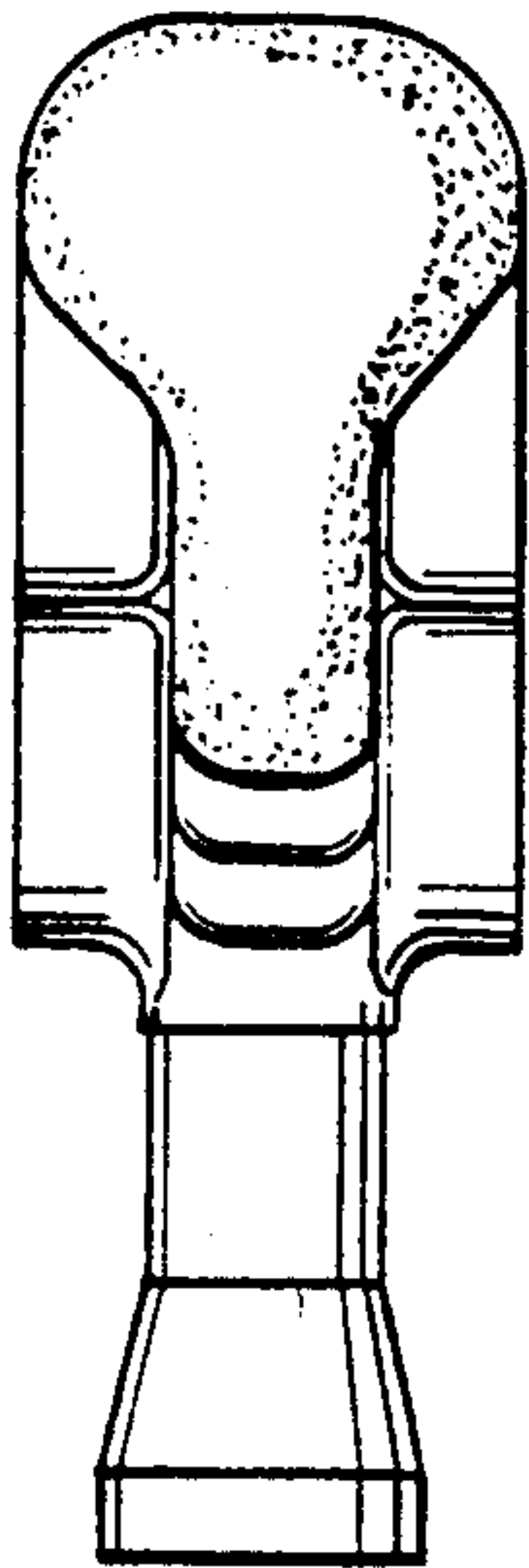
### DESCRIPTION

**FIG. 1** is a left side elevational view of a tool handle, showing my new design;  
**FIG. 2** is a front elevational view thereof;  
**FIG. 3** is a rear elevational view thereof;  
**FIG. 4** is a top plan view thereof; and,  
**FIG. 5** is a bottom plan view thereof.

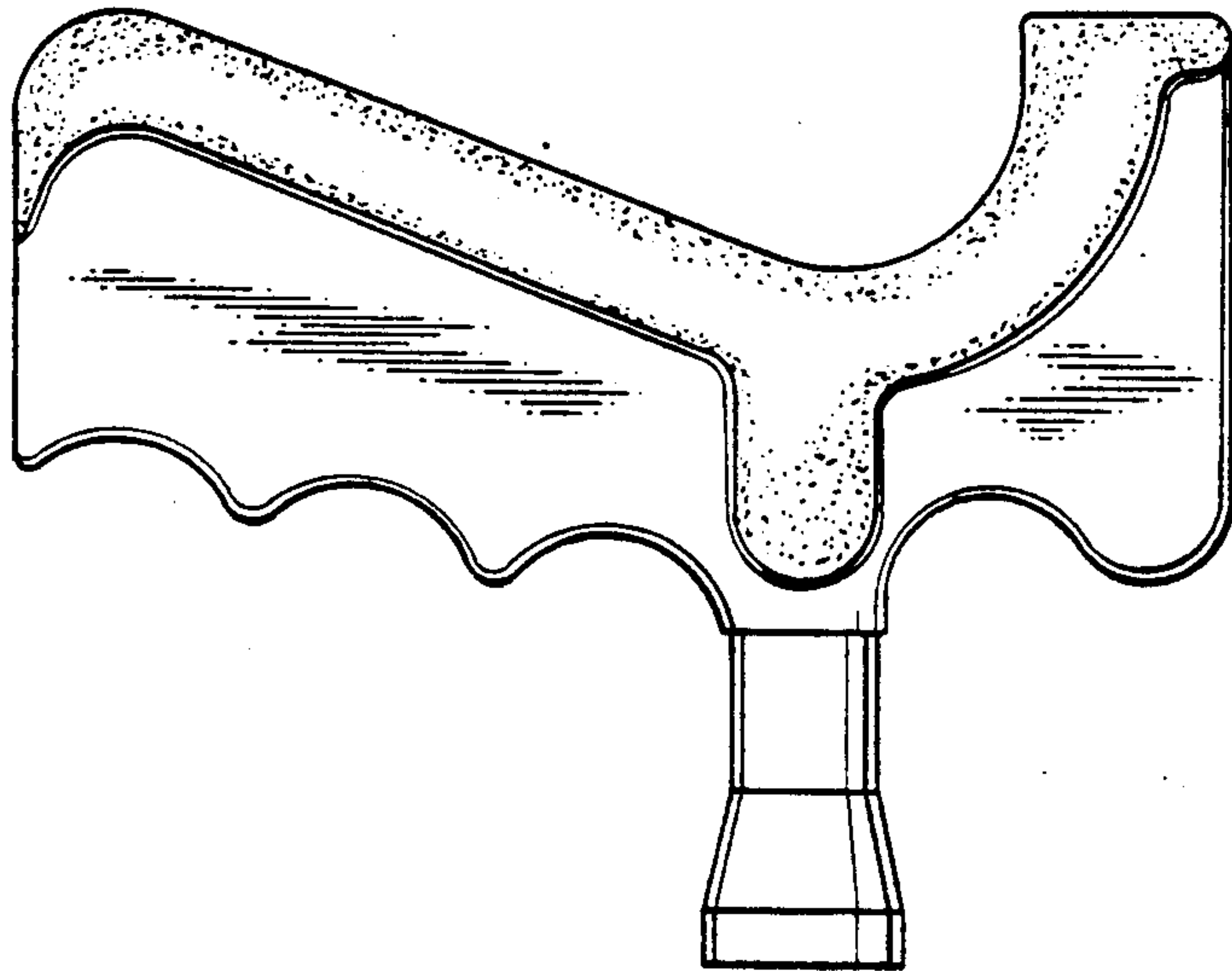




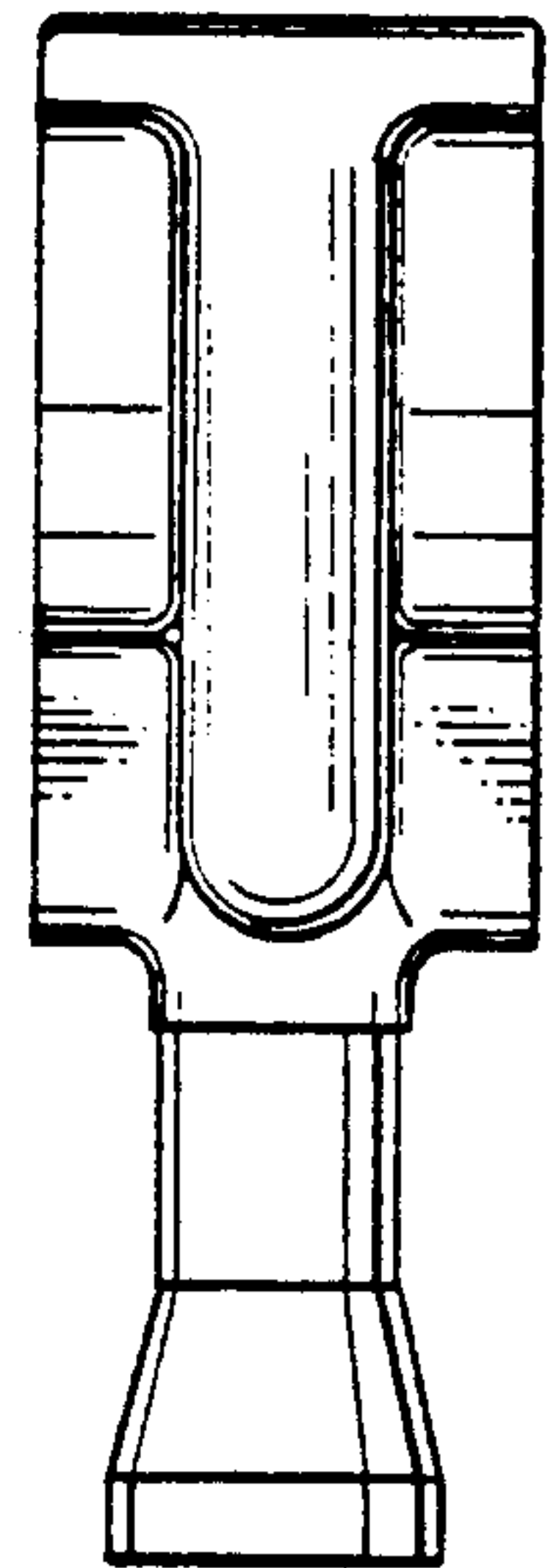
*Fig. 4*



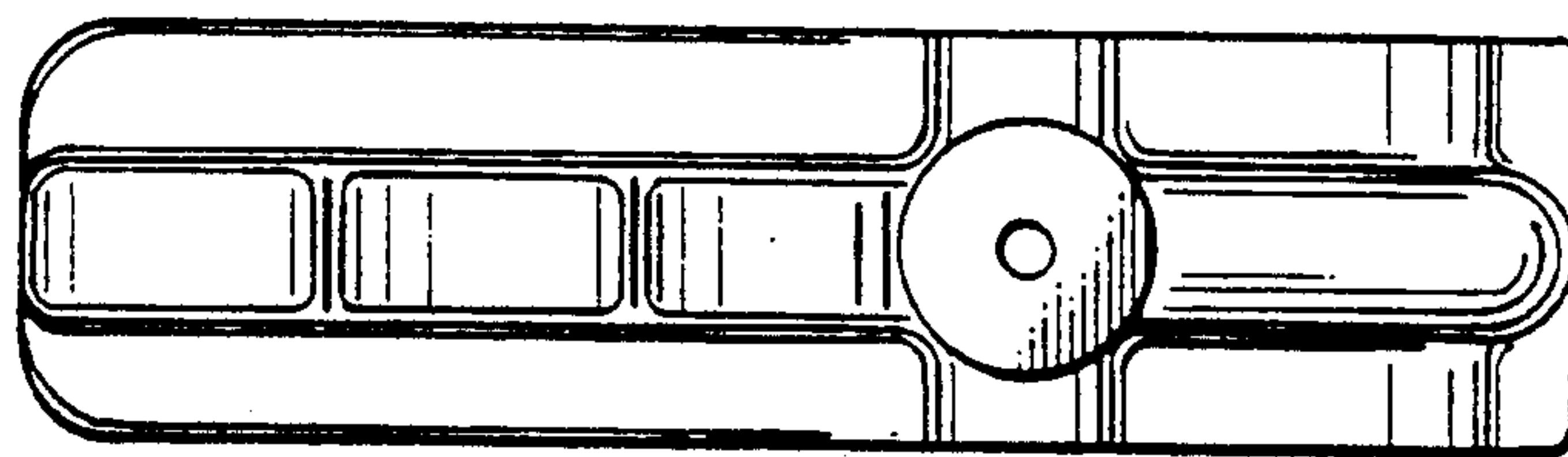
*Fig. 3*



*Fig. 1*



*Fig. 2*



*Fig. 5*