



US00D339731S

United States Patent [19]

Stewart

[11] Patent Number: **Des. 339,731**

[45] Date of Patent: **** Sep. 28, 1993**

[54] **TOOL HANDLE**

[75] Inventor: **Weldon R. Stewart, Austin, Tex.**

[73] Assignee: **Durol Western Manufacturing Co., Inc., Luling, Tex.**

[**] Term: **14 Years**

[21] Appl. No.: **843,741**

[22] Filed: **Feb. 28, 1992**

[52] U.S. Cl. **D8/107**

[58] Field of Search **D8/14, 107, 31, 42, D8/97; 81/15.2, 15.4, 15.7, 15.8, 177.1, 436; 16/110 R, 116 R**

[56] **References Cited**

U.S. PATENT DOCUMENTS

| | | | |
|------------|--------|---------------------|--------|
| D. 86,179 | 2/1932 | Pelouch et al. | D8/107 |
| D. 208,211 | 8/1967 | Holder | D8/31 |
| D. 259,698 | 6/1981 | MacNeill | D8/107 |
| D. 269,773 | 7/1983 | Niconchuk | D8/31 |
| D. 280,463 | 9/1985 | Sheahan | D8/107 |
| D. 282,713 | 2/1986 | Flory et al. | D8/107 |
| D. 285,769 | 9/1986 | Flory et al. | D8/107 |
| 2,653,638 | 9/1953 | Nelson | D8/82 |

| | | | |
|-----------|---------|--------------------------|---------|
| 2,729,124 | 1/1956 | Farandatos | D8/42 |
| 2,951,482 | 9/1960 | Sullivan | D8/97 |
| 3,111,048 | 11/1963 | Gruber | 81/15.2 |
| 3,257,875 | 6/1966 | Chambers et al. | 81/15.7 |
| 3,783,715 | 1/1974 | Niconchuk | 81/15.7 |
| 3,945,273 | 3/1976 | Wolk | D8/31 |
| 4,060,115 | 11/1977 | Bocanegra-Marquina | 81/436 |
| 4,763,546 | 8/1988 | Yeh et al. | 81/15.7 |

OTHER PUBLICATIONS

Tech Tire Repairs Catalog, issued by Technical Rubber Company of Johnstown, Ohio, p. 13, Copyright 1989.

Primary Examiner—Bernard Ansher

Assistant Examiner—P. Hyder

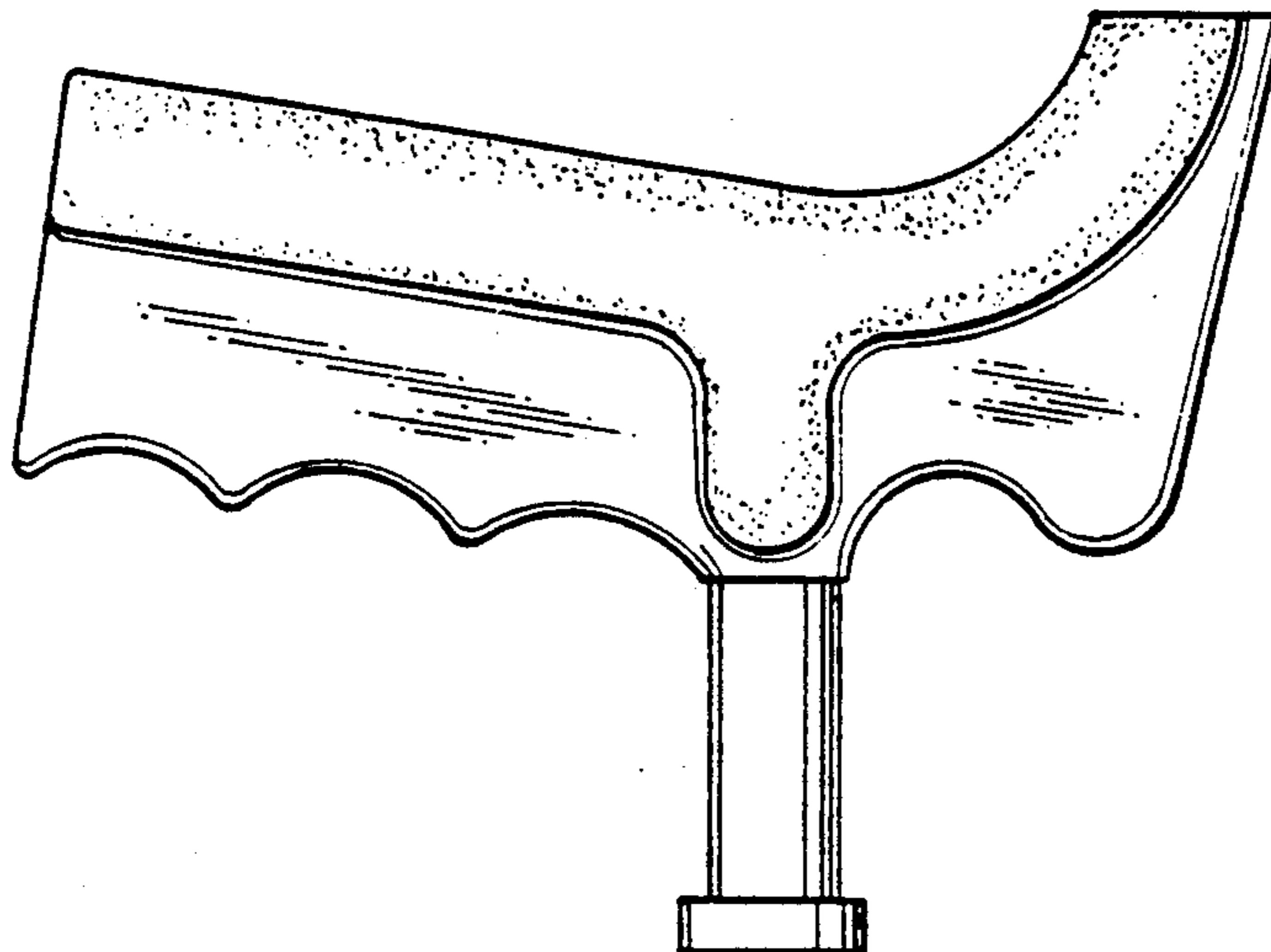
Attorney, Agent, or Firm—W. J. Scherback

[57] **CLAIM**

The ornamental design for a tool handle, as shown.

DESCRIPTION

FIG. 1 is a left side elevational view of a tool handle showing my new design; FIG. 2 is a front elevational view thereof; FIG. 3 is a rear elevational view thereof; FIG. 4 is a top plan view thereof; and, FIG. 5 is a bottom plan view thereof.



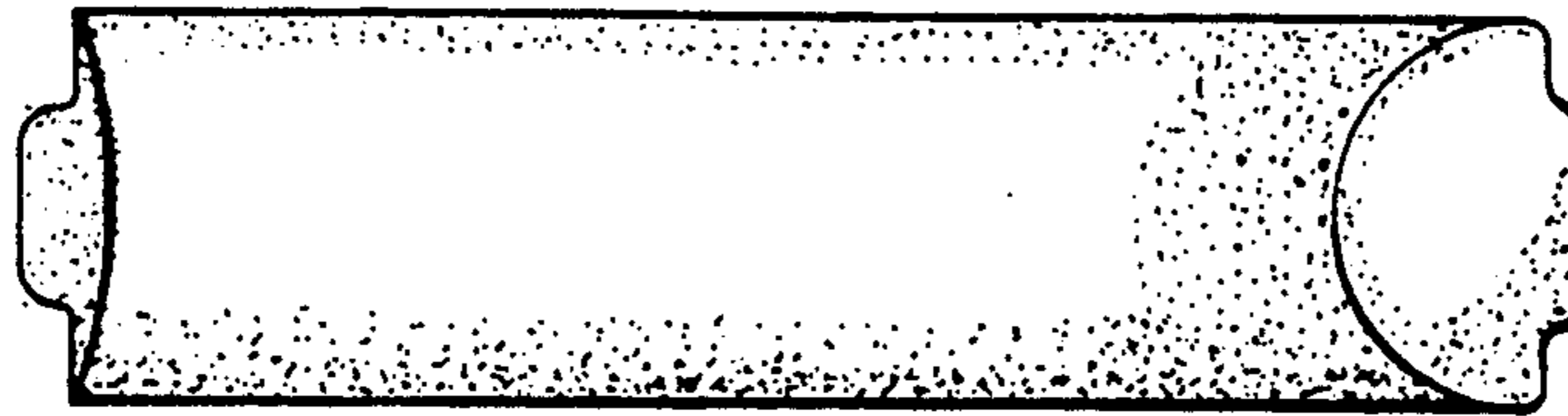


Fig. 4

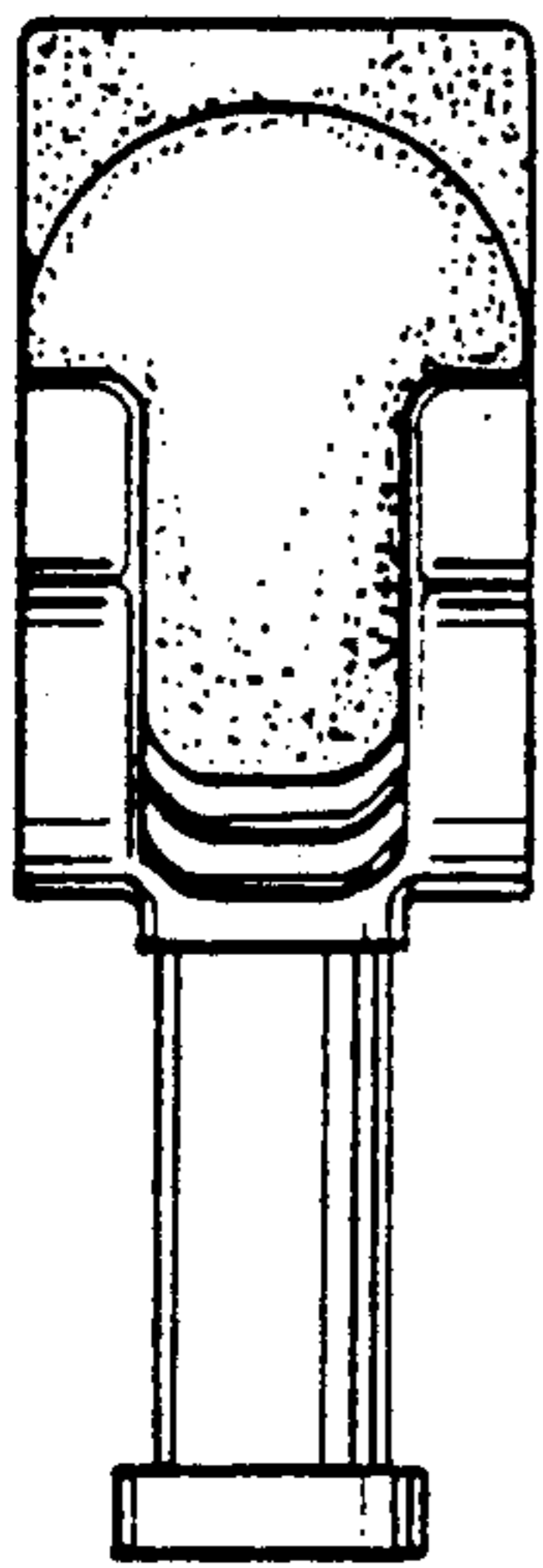


Fig. 3

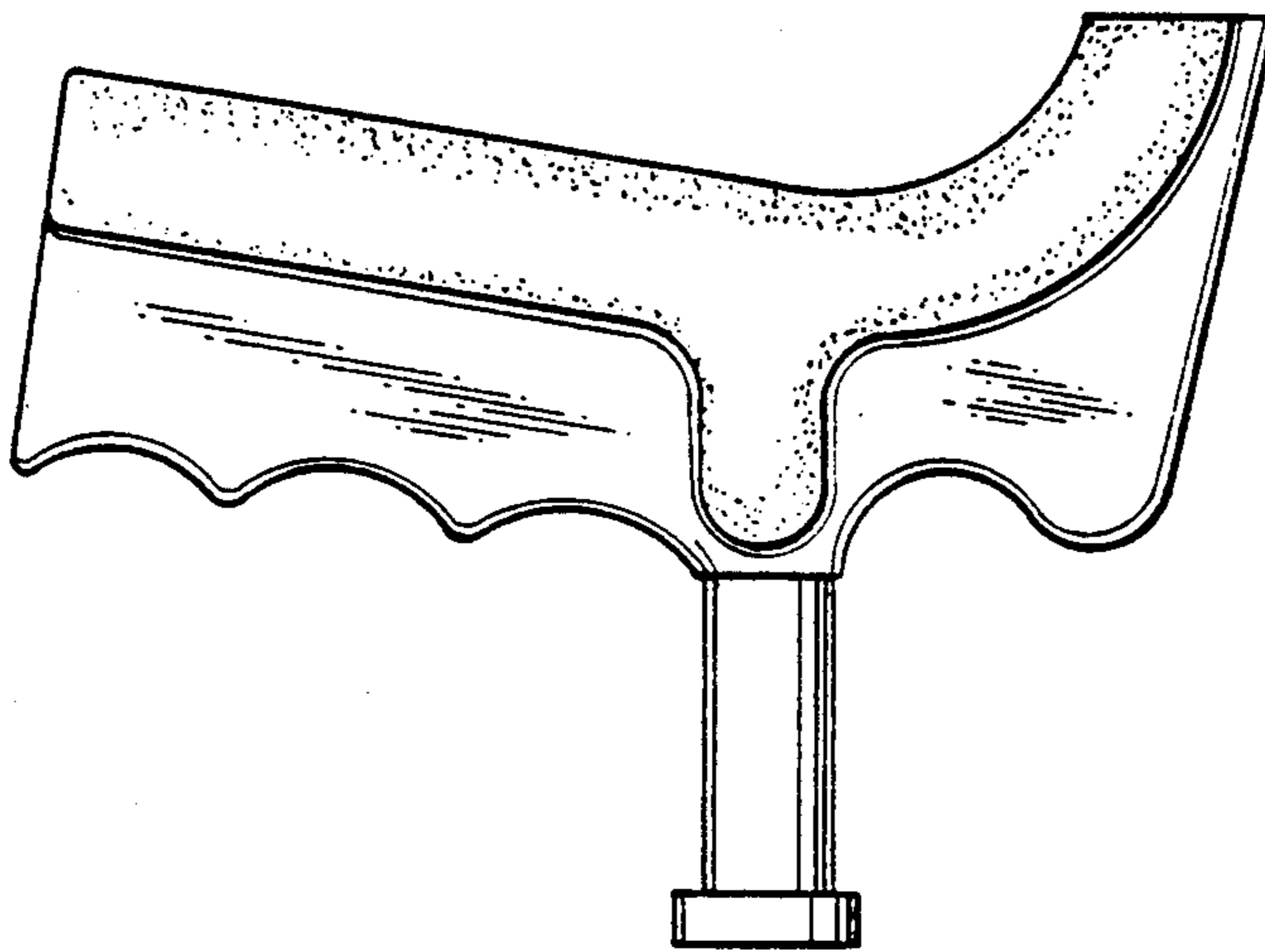


Fig. 1

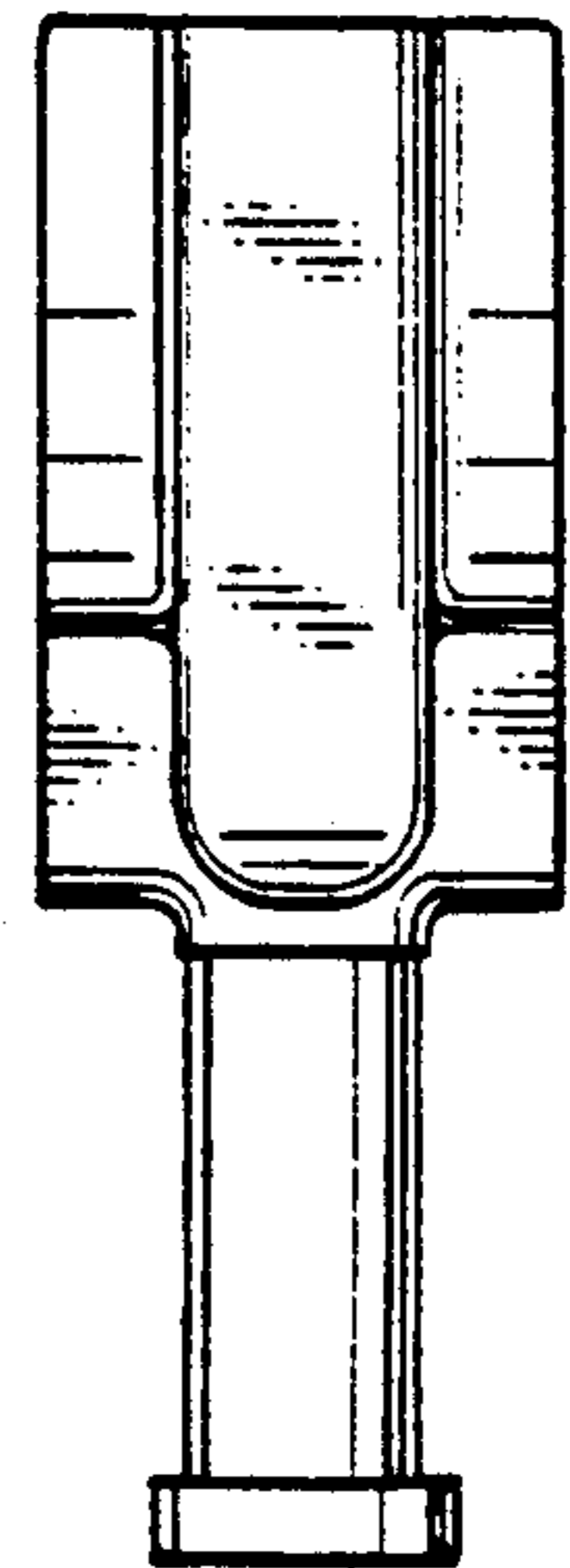


Fig. 2

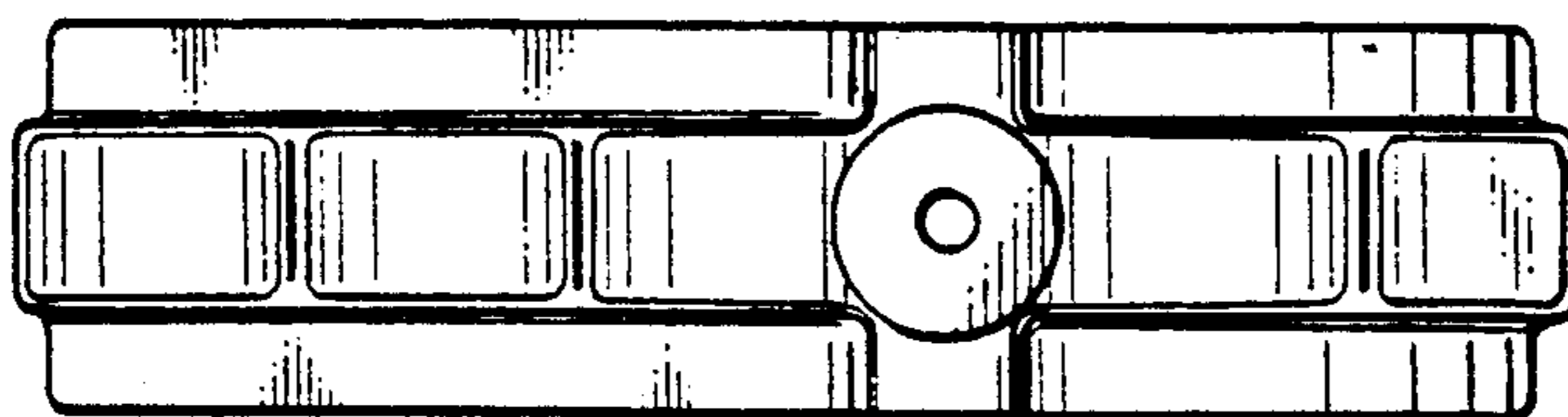


Fig. 5