



US00D339726S

United States Patent [19]

Bruno et al.

[11] Patent Number: **Des. 339,726**

[45] Date of Patent: **** Sep. 28, 1993**

[54] **IMPACT WRENCH**

[75] Inventors: **Robert H. Bruno, Avon; K. David Harris, Winsted, both of Conn.; Robert E. Geiger, Sayre; John M. Clapp, Sayre; Patrick S. Livingston, Sayre, all of Pa.**

[73] Assignee: **Ingersoll-Rand Company, Woodcliff Lake, N.J.**

[**] Term: **14 Years**

[21] Appl. No.: **864,905**

[22] Filed: **Apr. 3, 1992**

[52] U.S. Cl. **D8/68**

[58] Field of Search **D8/68, 61; 173/48, 93, 173/96, 170; 81/57, 57.11, 57.13**

[56] **References Cited**

U.S. PATENT DOCUMENTS

- D. 256,980 9/1980 Adams et al. D8/68
- D. 261,222 10/1981 Bunyea D8/68
- D. 294,001 2/1988 Greenlee et al. D8/68

Primary Examiner—Alan P. Douglas
Assistant Examiner—Jeffry H. Musgrove
Attorney, Agent, or Firm—Walter C. Vliet

[57] **CLAIM**

The ornamental design for an impact wrench, as shown and described.

DESCRIPTION

FIG. 1 is a right side view of an impact wrench showing our design;

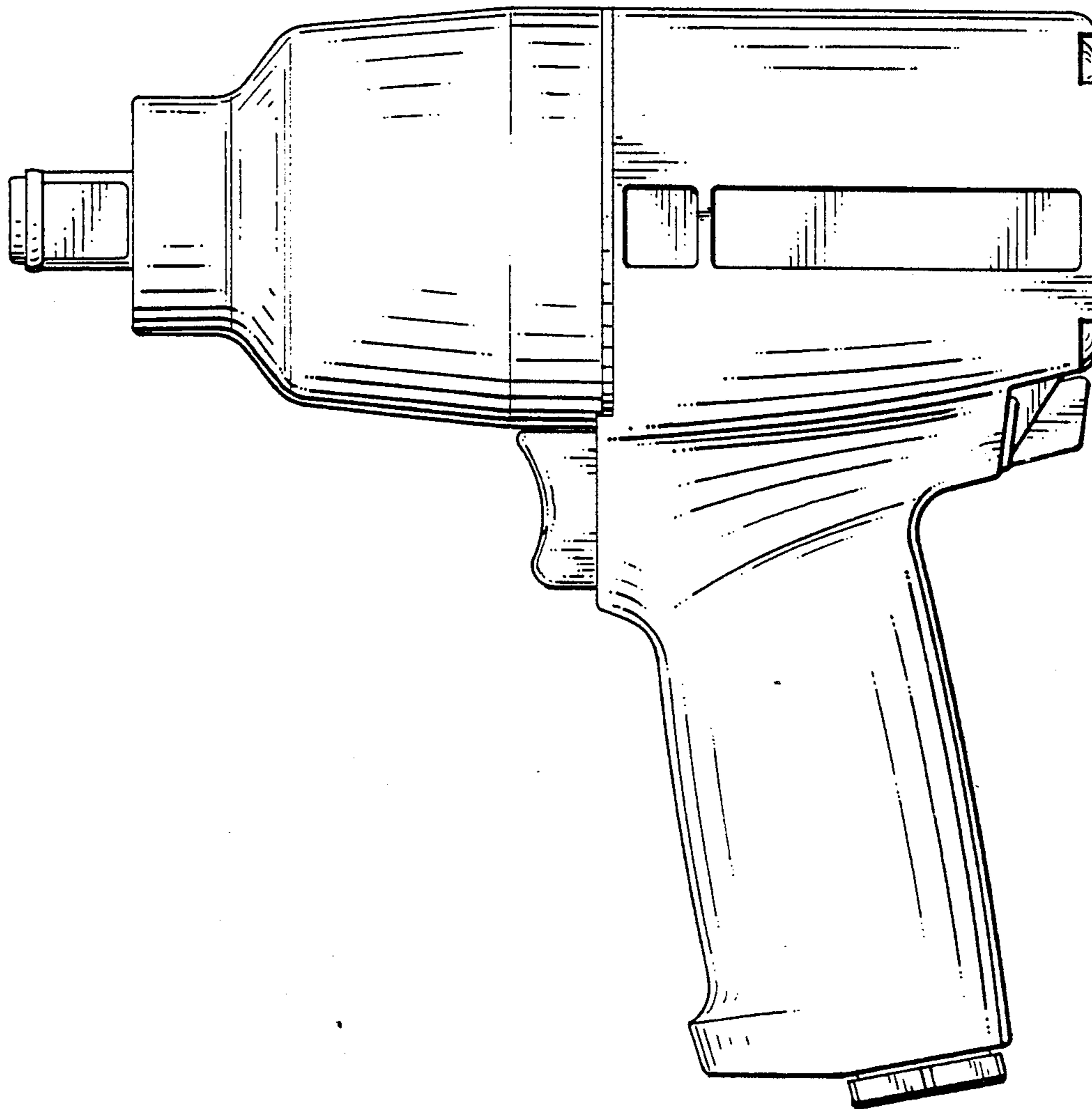
FIG. 2 is a top view of FIG. 1;

FIG. 3 is a left side view of FIG. 1;

FIG. 4 is a bottom view of FIG. 1;

FIG. 5 is a front view of FIG. 1; and,

FIG. 6 is a rear view of FIG. 1.



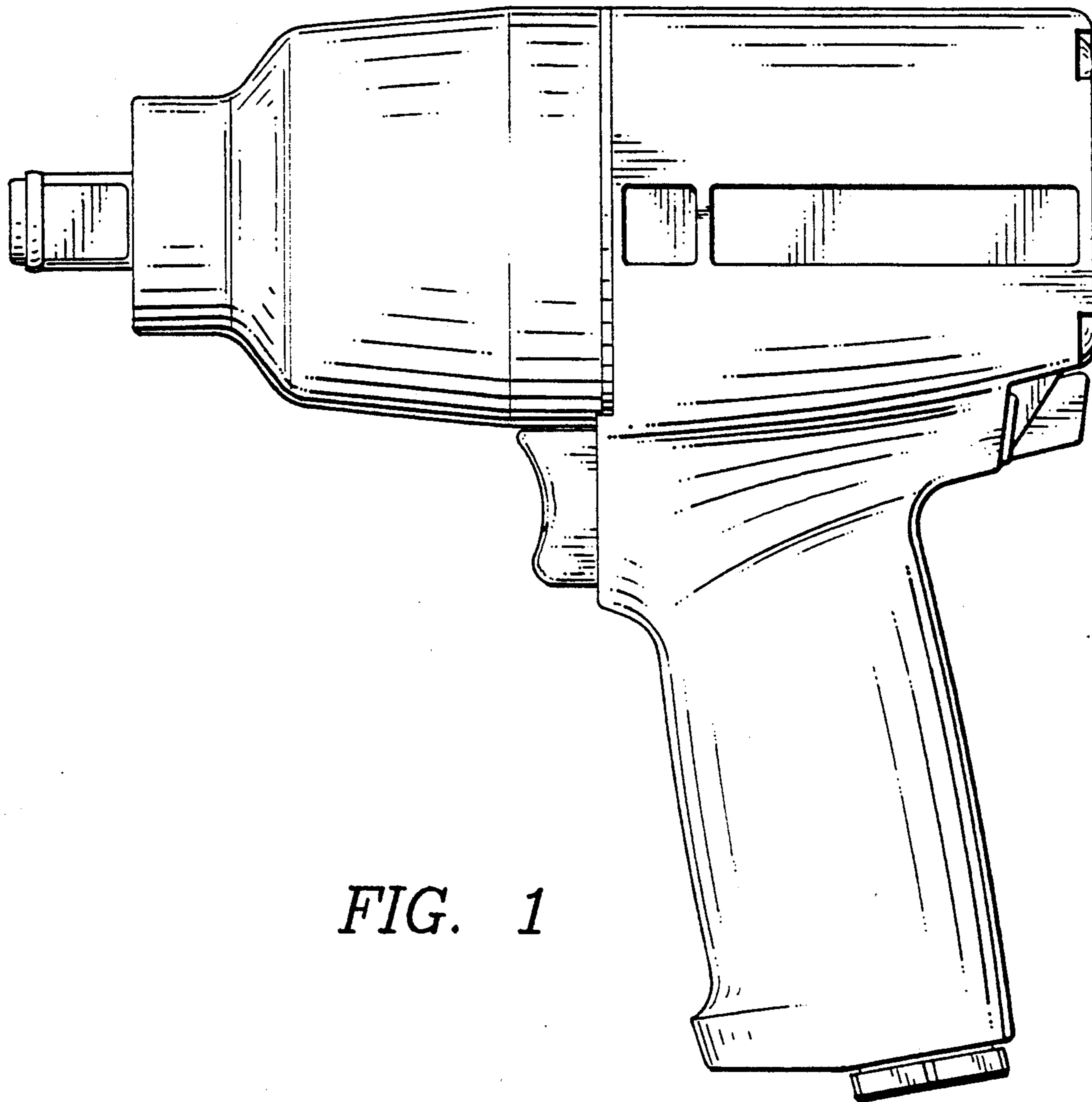


FIG. 1

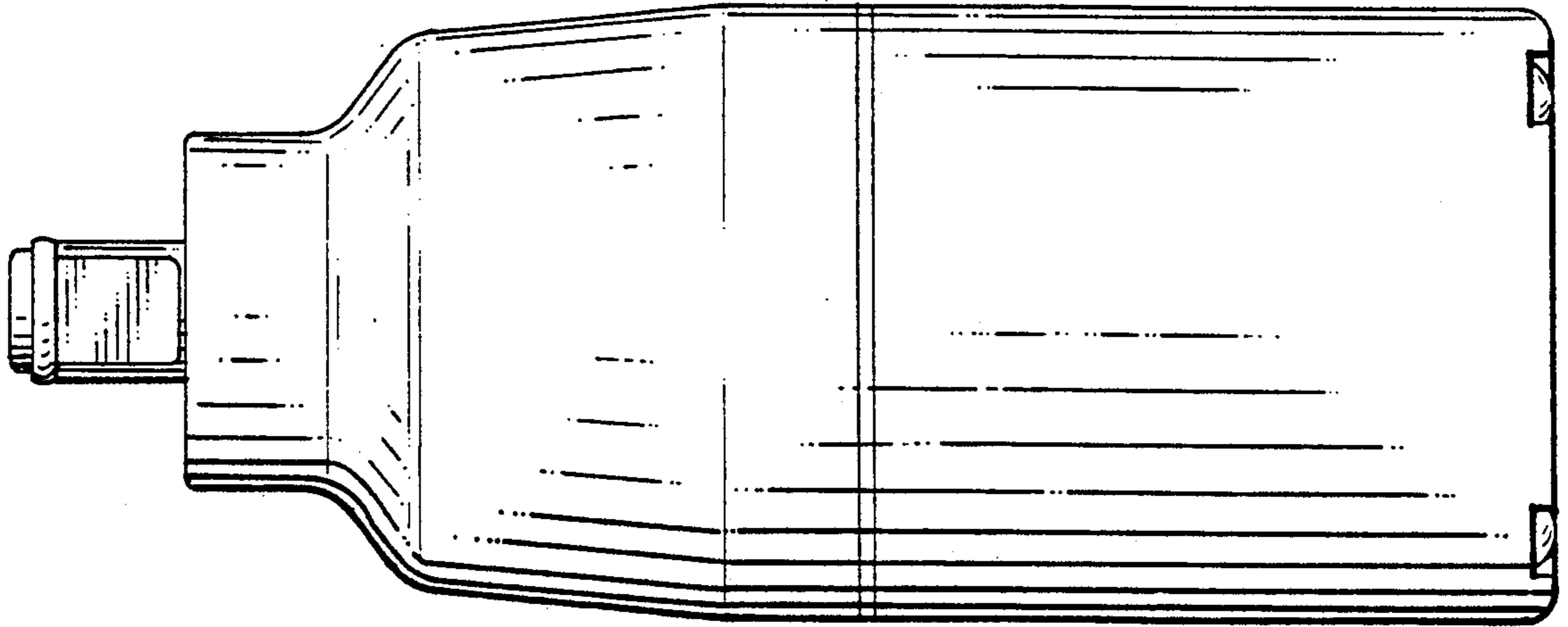


FIG. 2

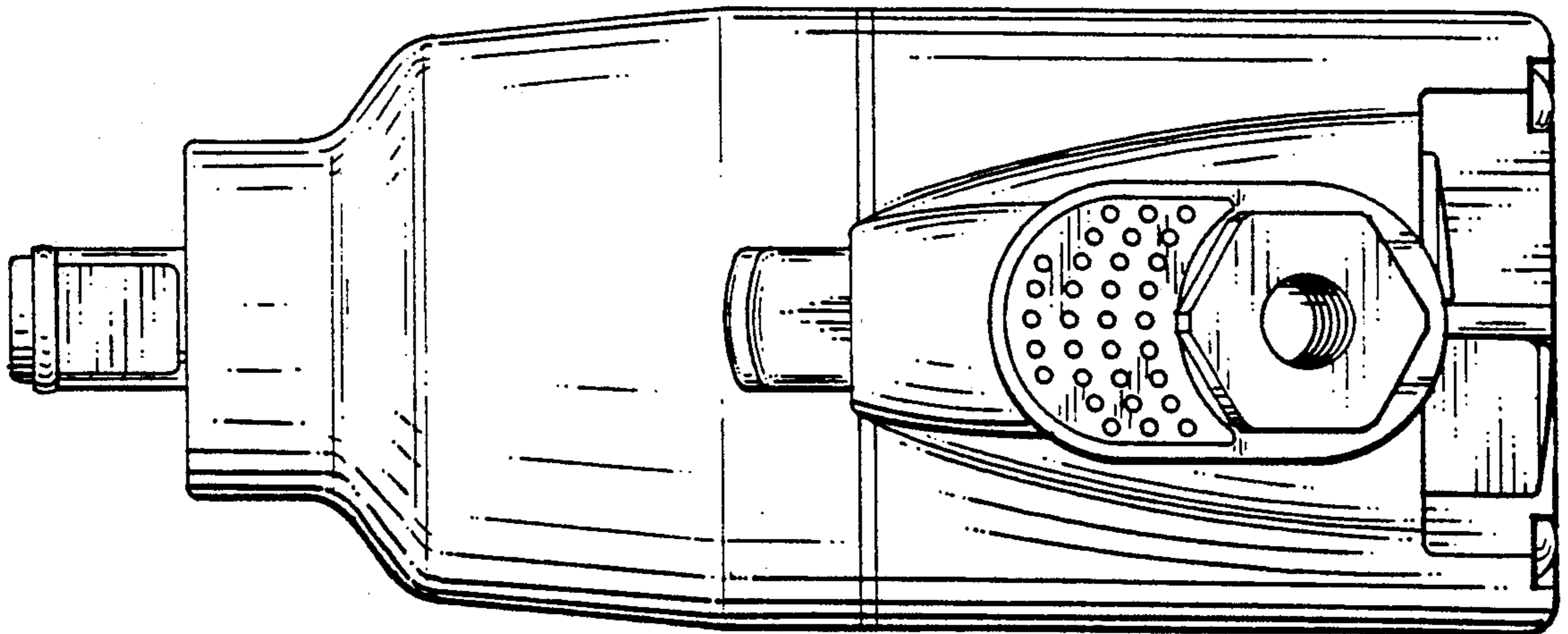


FIG. 4

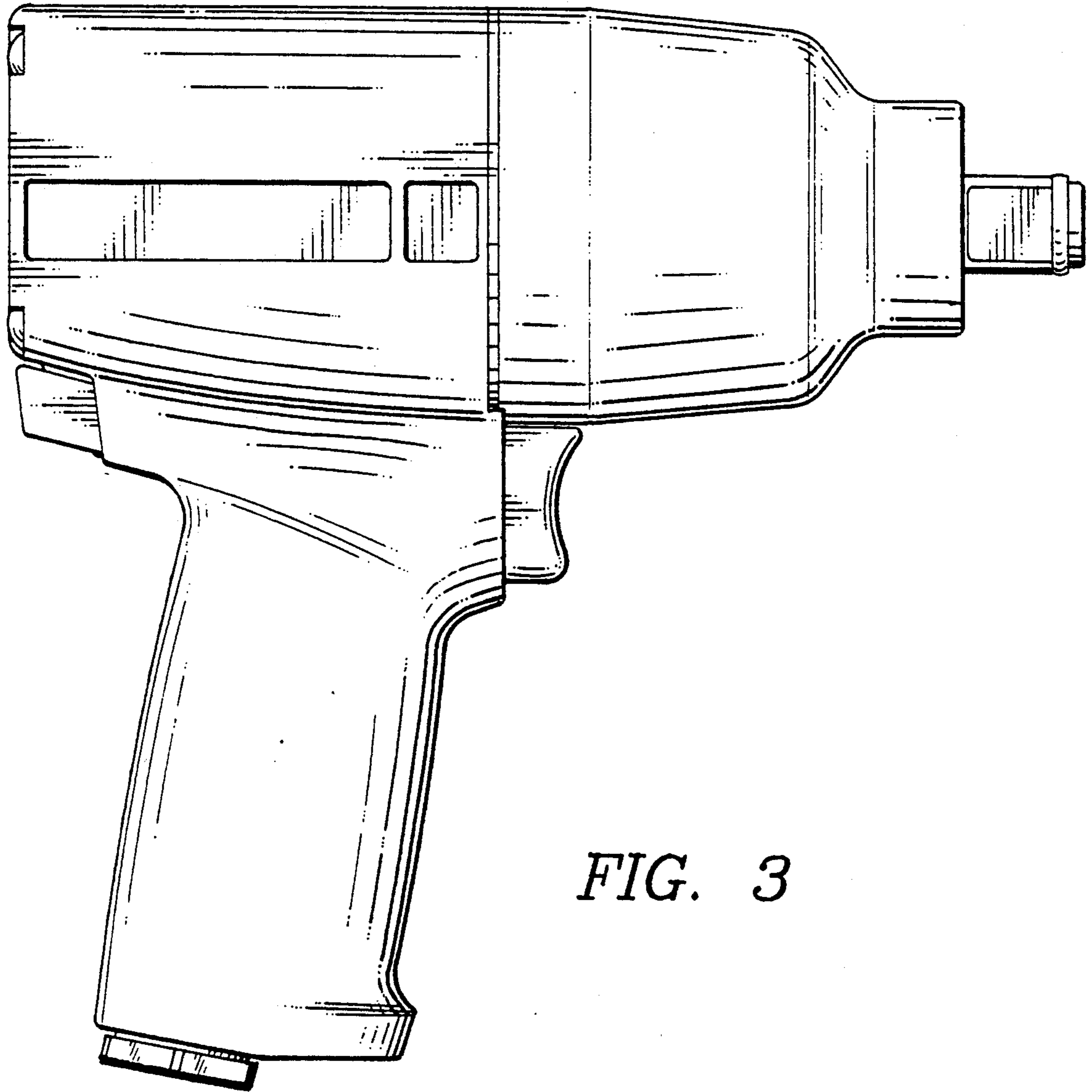


FIG. 3

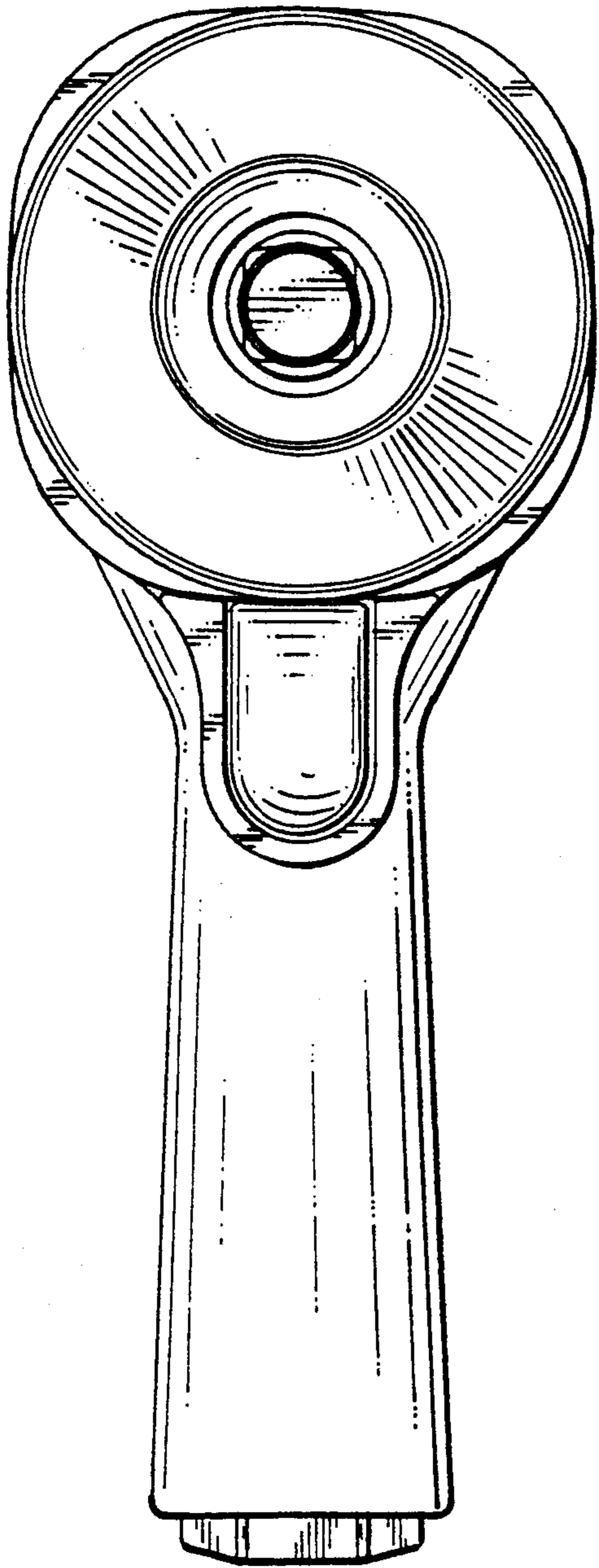


FIG. 5

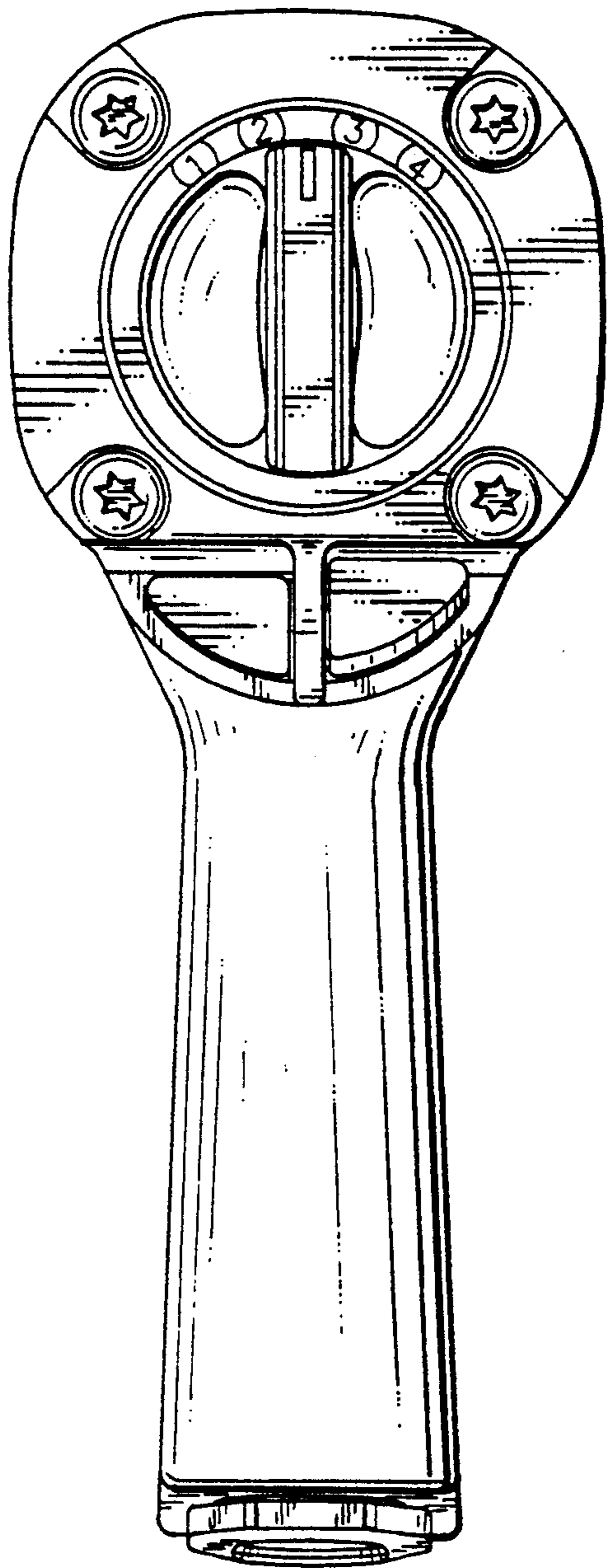


FIG. 6