



US00D339725S

United States Patent [19]

[11] Patent Number: **Des. 339,725**

Birkholz

[45] Date of Patent: **** Sep. 28, 1993**

[54] **SCISSORS**

[56] **References Cited**

[75] Inventor: **Douglas J. Birkholz, Madison, Wis.**

U.S. PATENT DOCUMENTS

[73] Assignee: **Fiskars Oy AB, Helsinki, Finland**

D. 171,837	3/1954	Blanchaert	D8/57
578,453	3/1897	Hollingsworth	30/233
985,445	2/1911	Patterson	30/233
3,422,532	1/1969	Ballard	30/257
4,739,556	4/1988	Orthey	30/DIG. 5

[*] Notice: The portion of the term of this patent subsequent to May 25, 2007 has been disclaimed.

Primary Examiner—Bernard Ansher
Assistant Examiner—R. Barkai
Attorney, Agent, or Firm—Foley & Lardner

[**] Term: **14 Years**

[57] **CLAIM**

The ornamental design for a scissors, as shown and described.

[21] Appl. No.: **816,097**

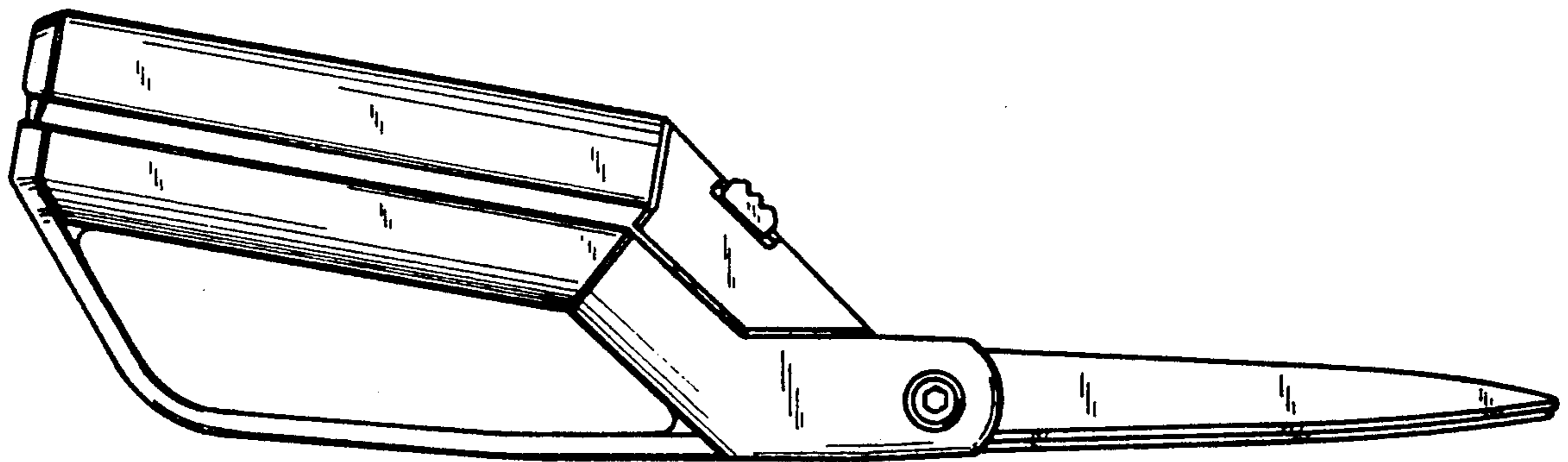
DESCRIPTION

[22] Filed: **Dec. 30, 1991**

[52] U.S. Cl. **D8/57**

[58] Field of Search D8/57; 30/232-233,
30/254-255, 257, 355, DIG. 5; 7/125, 132,
134-135, 151

FIG. 1 is a side elevation view of the scissors showing our new design;
FIG. 2 is a bottom plan view thereof;
FIG. 3 is a front elevational view thereof;
FIG. 4 is a top plan view thereof;
FIG. 5 is a left side elevational view thereof; and,
FIG. 6 is a rear elevational view thereof.



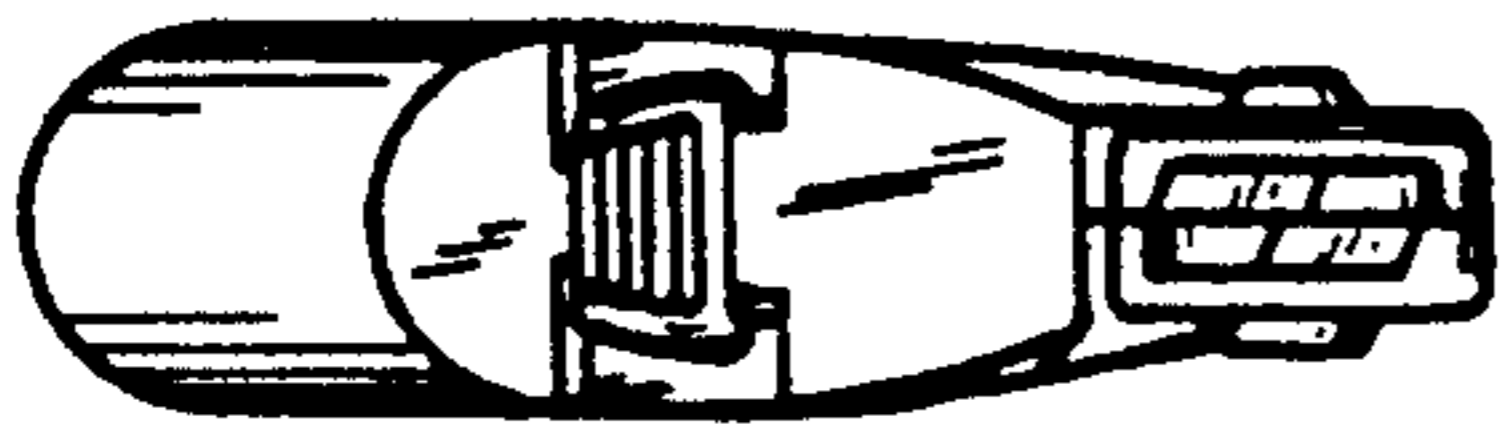


FIG. 3

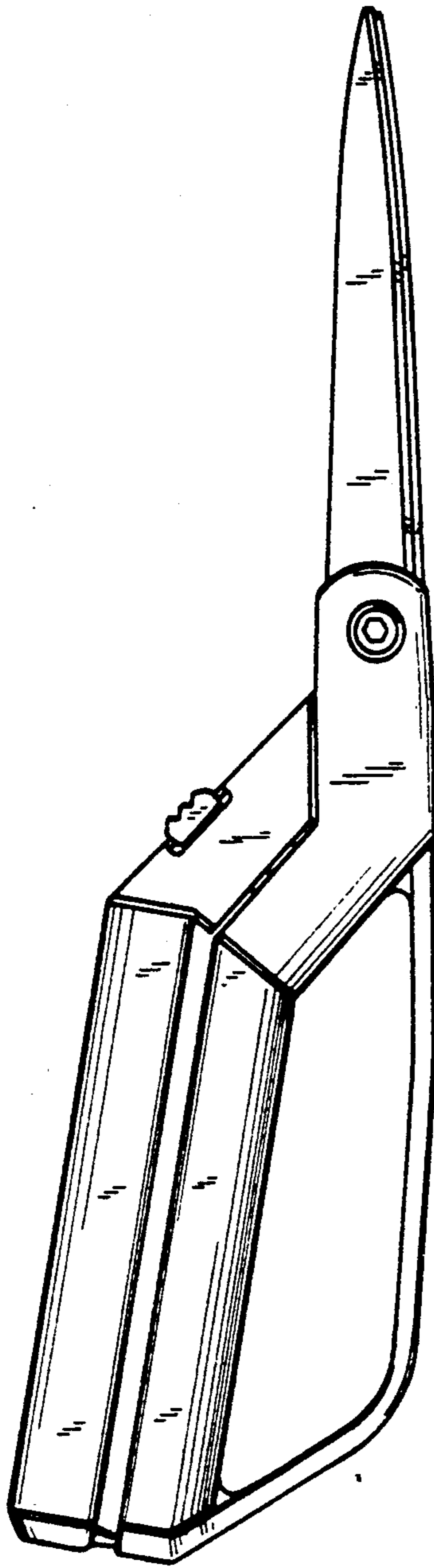


FIG. 1



FIG. 2

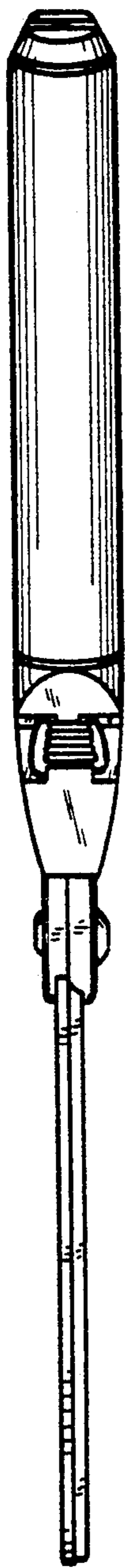


FIG. 5

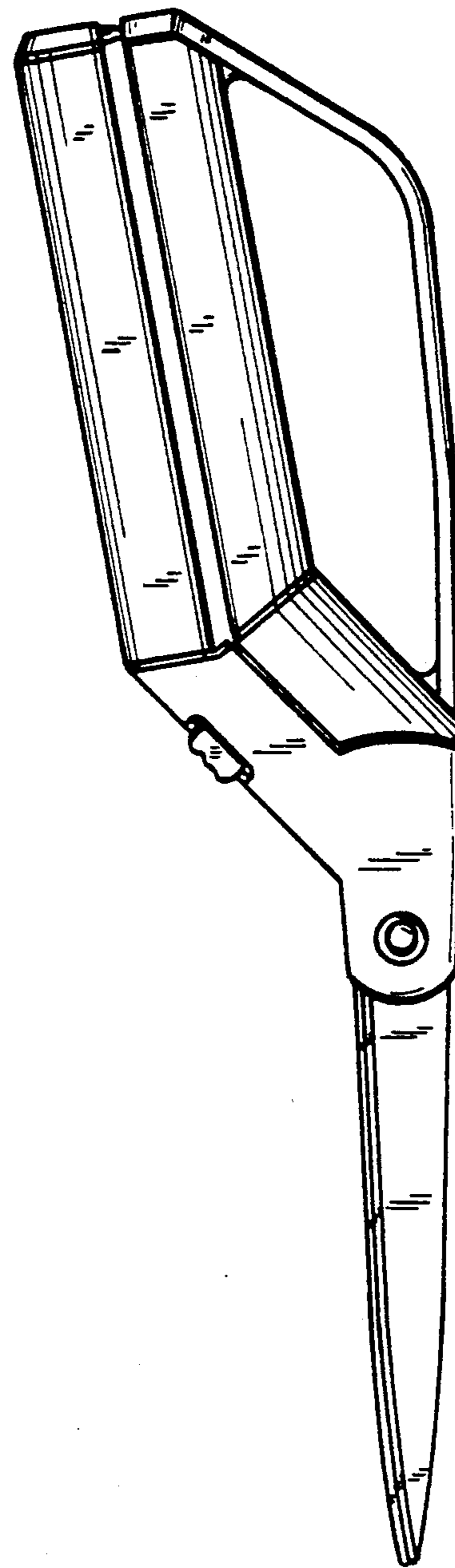


FIG. 4



FIG. 6