



US00D339723S

United States Patent [19] Tanfoglio

[11] Patent Number: **Des. 339,723**

[45] Date of Patent: **** Sep. 28, 1993**

[54] **CAN OPENER**

D. 326,039 5/1992 Viemeister D8/33

[75] Inventor: **Dario Tanfoglio**, Fornaci-Brescia, Italy

[73] Assignee: **Fratelli Guzzini S.p.A.**, Recanati, Italy

[**] Term: **14 Years**

[21] Appl. No.: **880,610**

[22] Filed: **May 8, 1992**

[30] **Foreign Application Priority Data**

Nov. 11, 1991 [IT] Italy M191 0 000793

[52] U.S. Cl. **D8/41**

[58] Field of Search **D8/18, 33-34, D8/37, 39, 40-43; 81/3.4, 3.07, 3.08, 3.09, 3.15, 3.29, 3.35, 3.36, 3.37, 3.41, 3.42, 3.43, 3.48, 3.55, 3.57; 7/151-152, 155-156; 30/416, 420, 422, 427, 450**

[56] **References Cited**

U.S. PATENT DOCUMENTS

- D. 269,151 5/1983 Schulein D8/39
- D. 277,926 3/1985 Chow D8/41
- D. 282,521 2/1986 Steinko D8/39
- D. 301,539 6/1989 Cheung D8/41

OTHER PUBLICATIONS

Design Dec. 1985, p. 24, #1.

Hong Kong Enterprise Nov. 1986, p. 144, #1.

Primary Examiner—Bernard Ansher

Assistant Examiner—R. Barkai

Attorney, Agent, or Firm—Hedman, Gibson & Costigan

[57] **CLAIM**

The ornamental design for a can opener, as shown and described.

DESCRIPTION

FIG. 1 is a top perspective view showing my new design, in closed position;

FIG. 2 is a top plan view thereof in closed position;

FIG. 3 is a bottom plan view thereof in closed position;

FIG. 4 is a front elevation view thereof in closed position;

FIG. 5 is a rear elevation view thereof in closed position;

FIG. 6 is a first side elevation view thereof in closed position;

FIG. 7 is a second side elevation view thereof in closed position; and,

FIG. 8 is a third plan view thereof in open position.

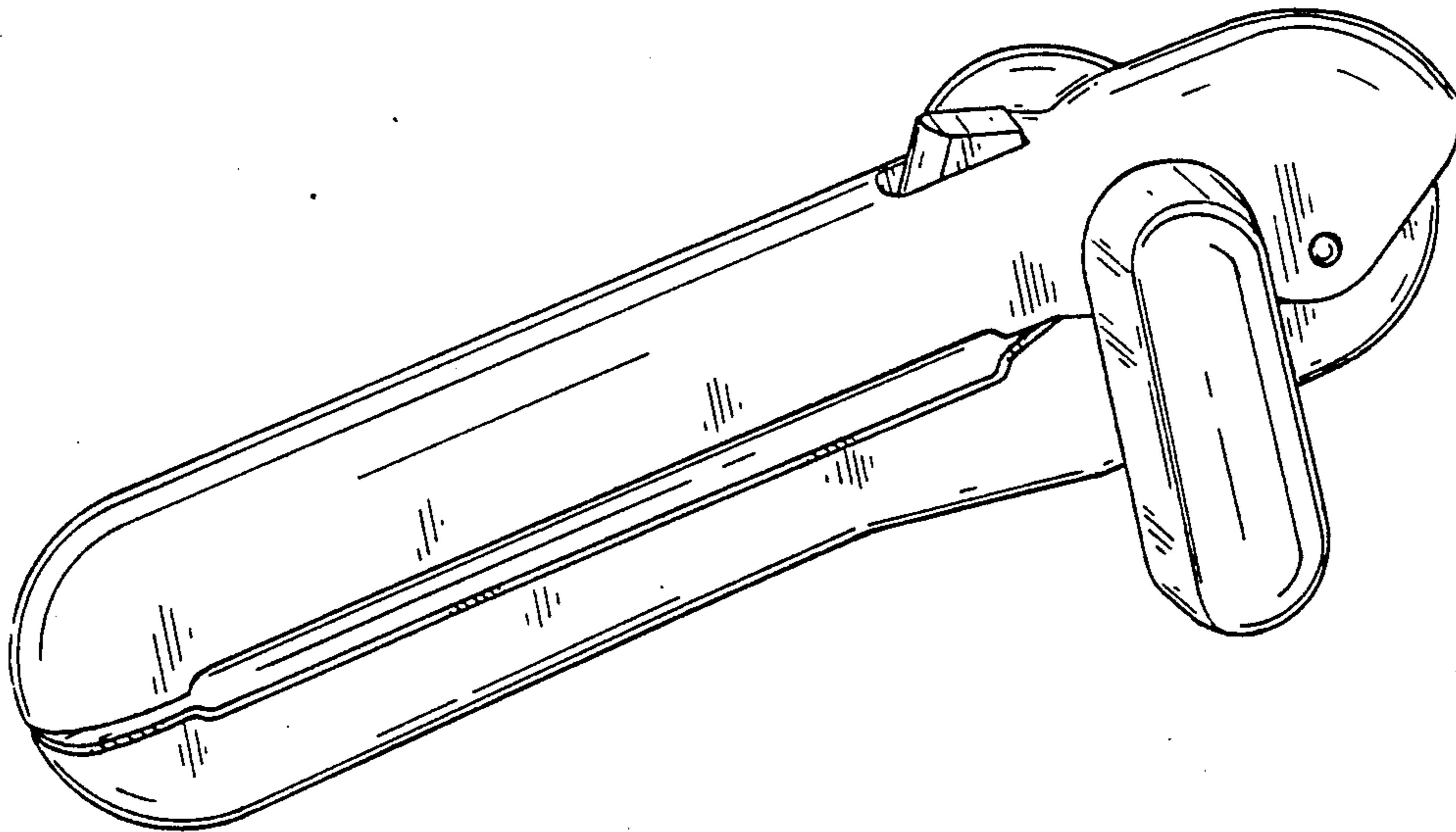


Fig.1

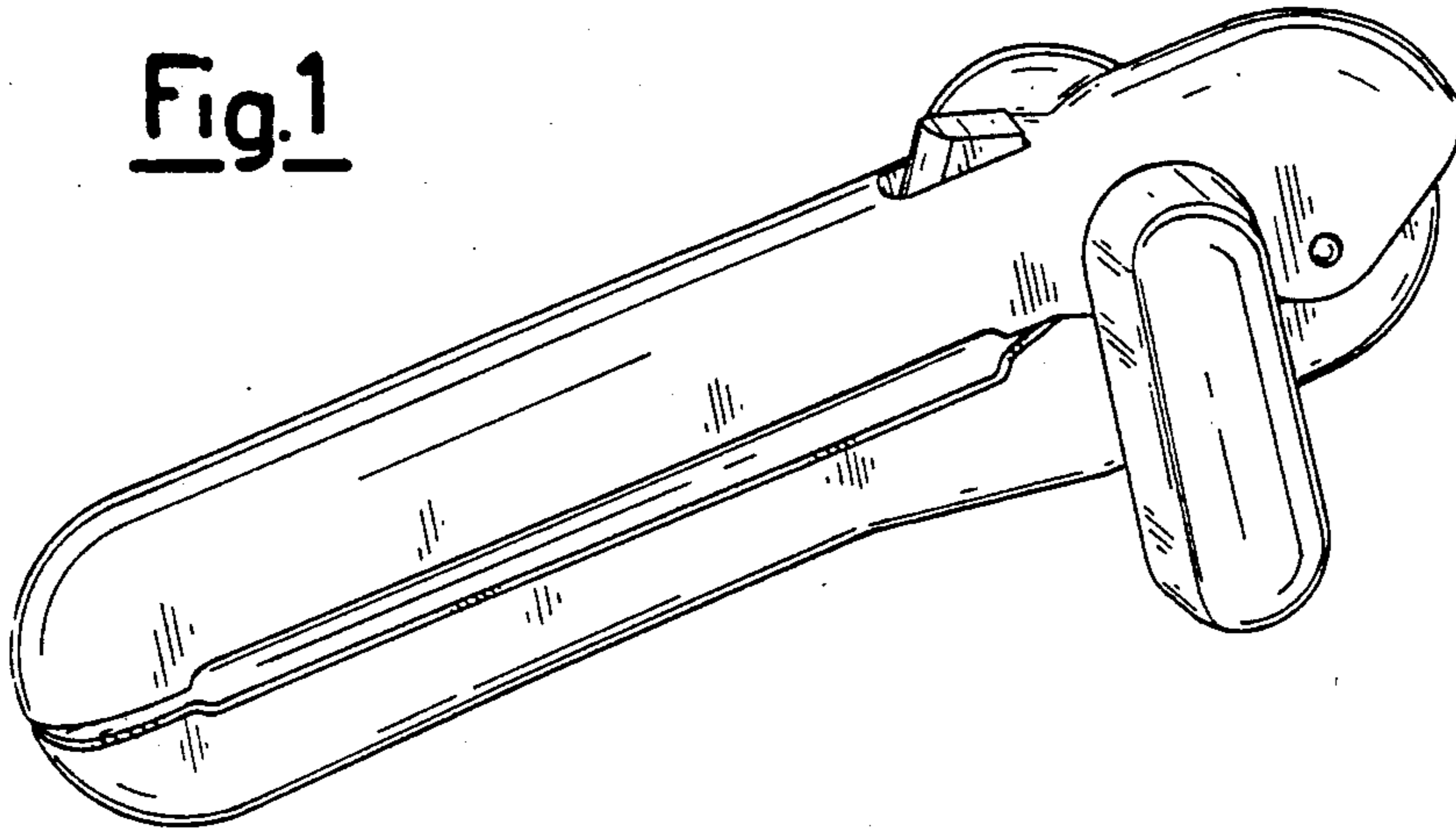


Fig.2

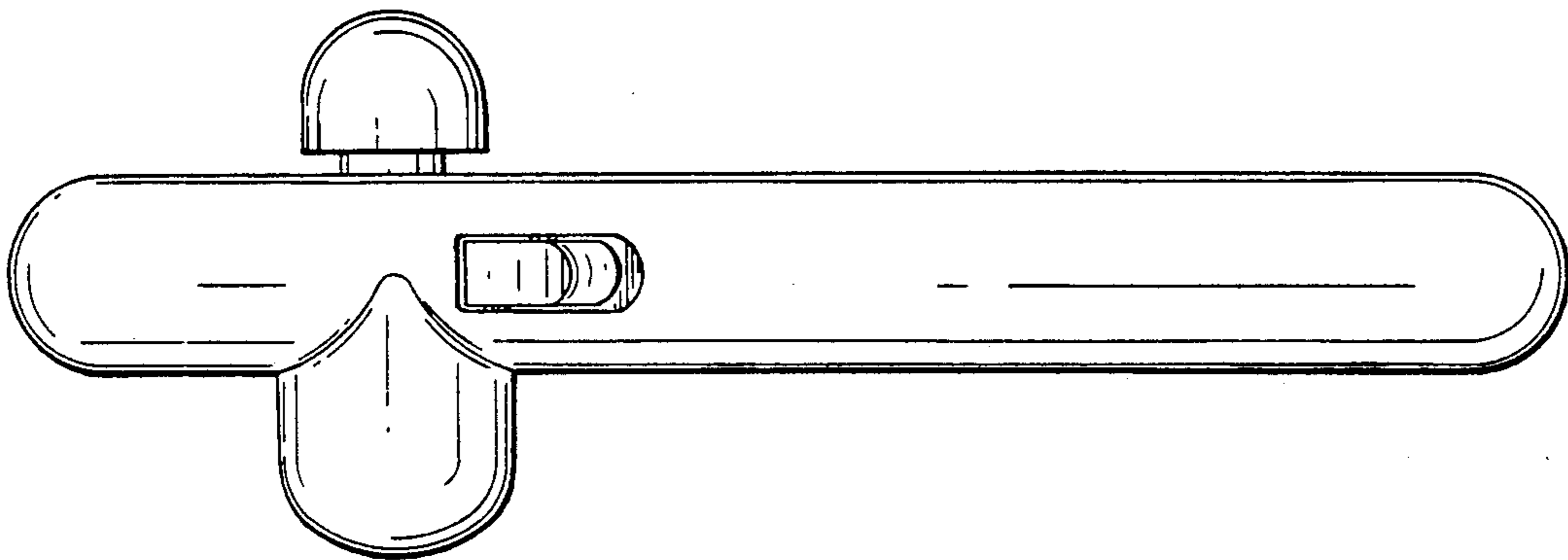


Fig.3

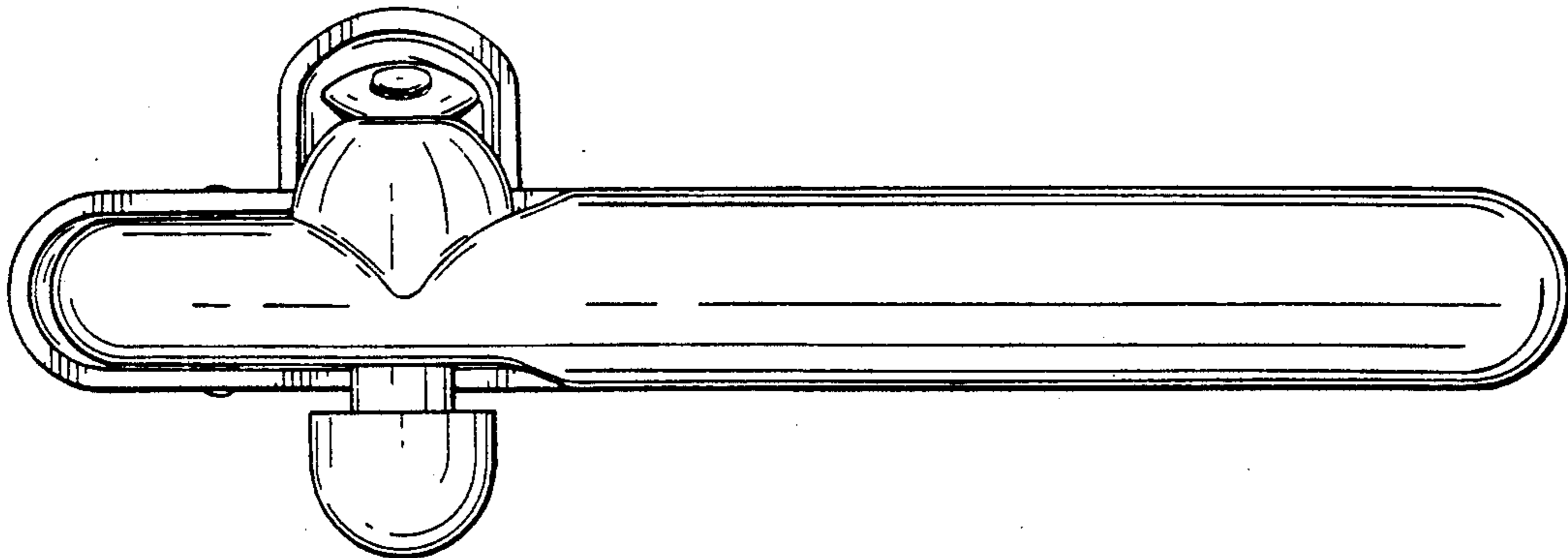


Fig.4

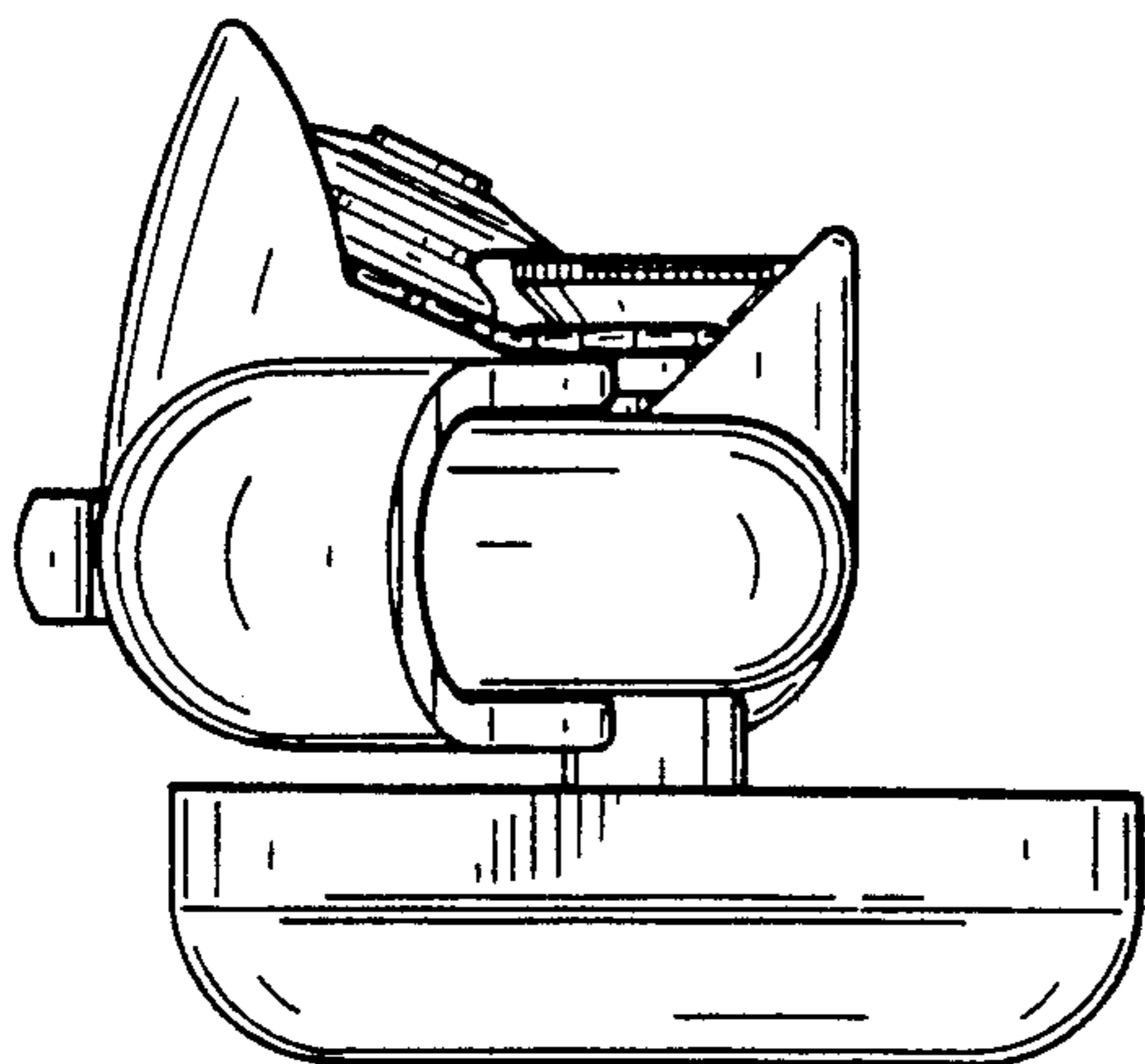


Fig.5

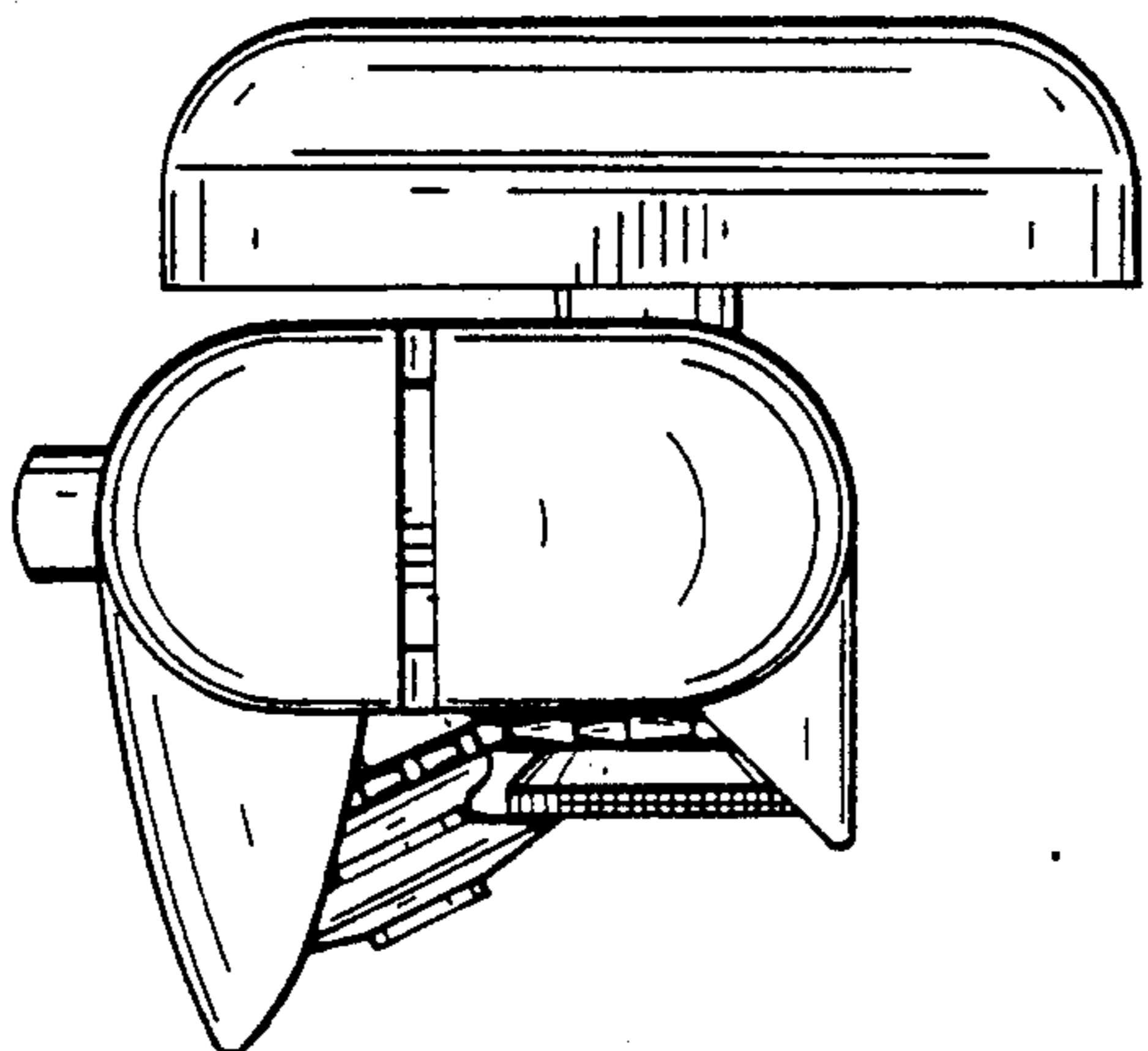


Fig.8

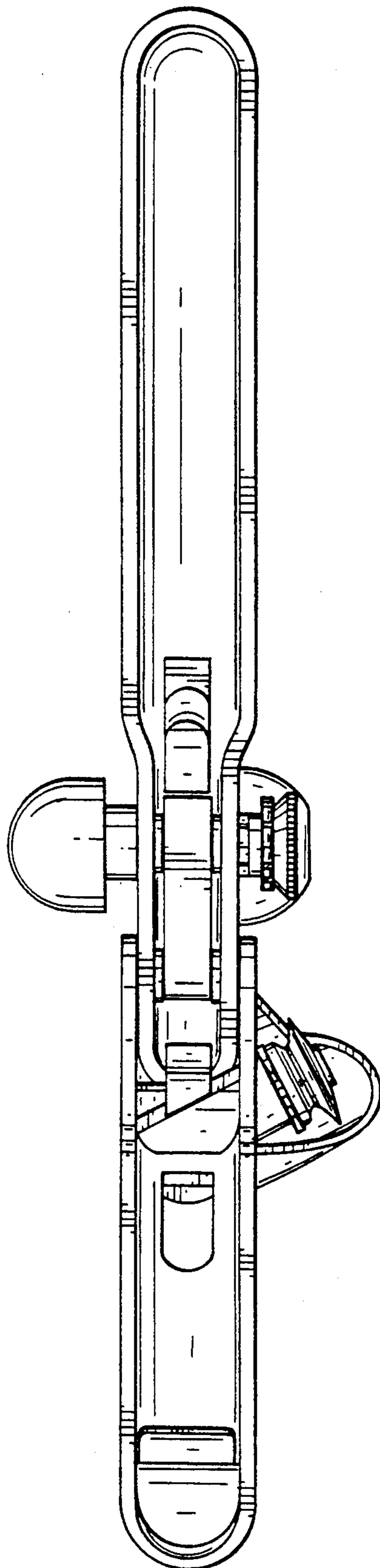


Fig.6

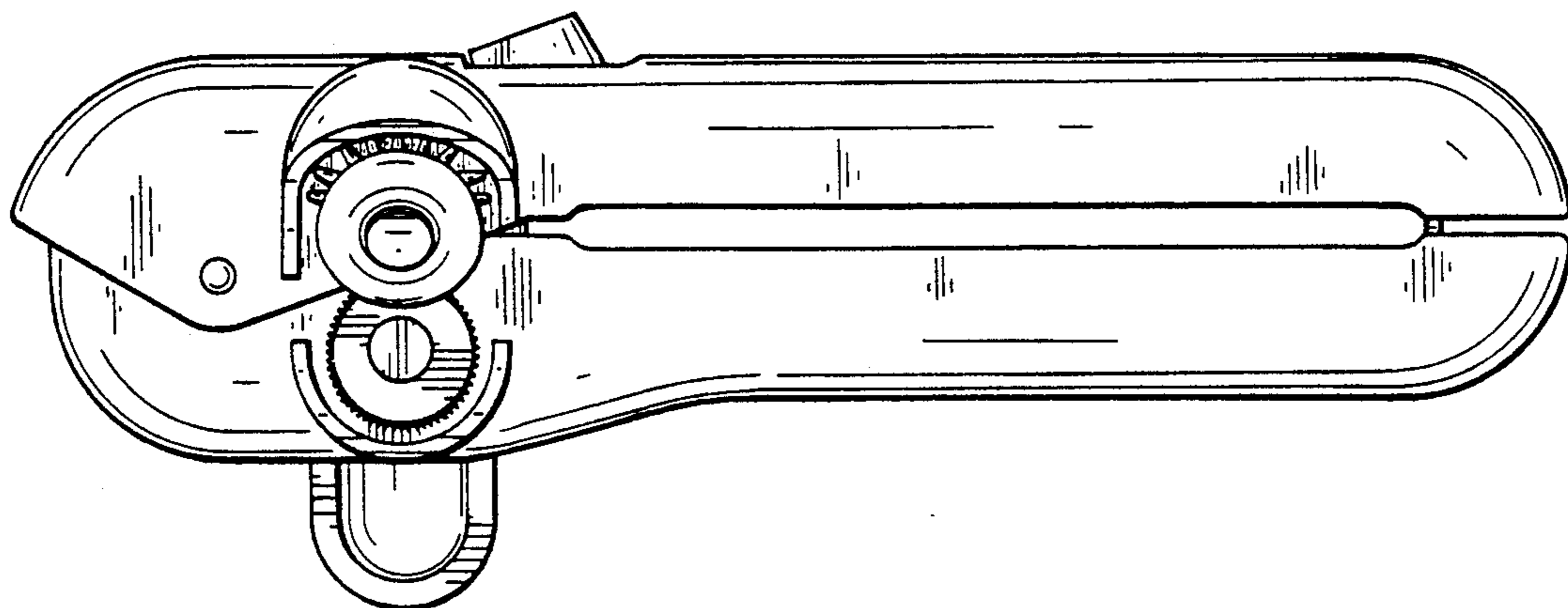


Fig.7

