



US00D339718S

United States Patent [19]

[11] Patent Number: **Des. 339,718**

Coy

[45] Date of Patent: **** Sep. 28, 1993**

[54] **GUARD FOR STOVE HEATING ELEMENTS**

[76] Inventor: **Christopher W. Coy**, 35190 Achilles Rd., Warren, Oreg. 97053

[**] Term: **14 Years**

[21] Appl. No.: **578,856**

[22] Filed: **Sep. 6, 1990**

[52] U.S. Cl. **D7/402; D7/406**

[58] Field of Search **D7/402, 405, 406; 126/214 D, 299 C, 42**

4,848,311	7/1989	Dorri	126/42
4,892,087	1/1990	Bridgewater	126/42
4,922,888	5/1990	Bryan et al.	126/42

FOREIGN PATENT DOCUMENTS

367297	4/1923	Fed. Rep. of Germany .
654607	12/1937	Fed. Rep. of Germany .

Primary Examiner—Ruth McInroy
Attorney, Agent, or Firm—Terry M. Gernstein

[57] CLAIM

The ornamental design for a guard for stove heating elements, as shown and described.

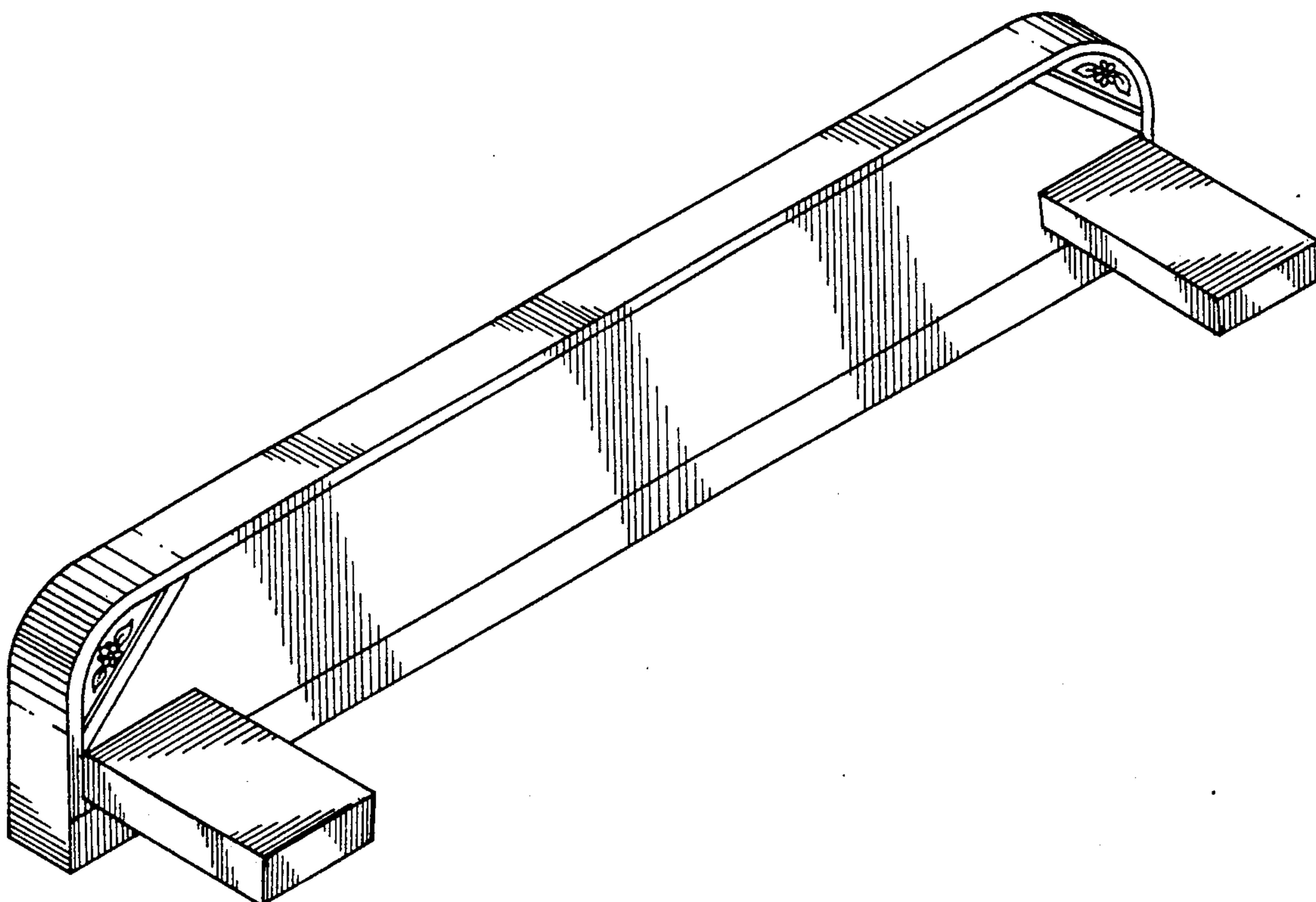
DESCRIPTION

FIG. 1 is a rear perspective view of a guard for stove heating elements showing my new design; FIG. 2 is an enlarged front elevational view thereof; FIG. 3 is an enlarged rear elevational view thereof; FIG. 4 is an enlarged side elevational view thereof, the opposite side being a mirror image; and, FIG. 5 is an enlarged top plan view thereof, the bottom view being a mirror image.

[56] References Cited

U.S. PATENT DOCUMENTS

D. 279,073	6/1985	Simpson et al.	D7/402
D. 284,345	6/1986	Baughman	D7/402
D. 301,008	5/1989	Williams	D7/402
D. 305,291	1/1990	Klev	D7/402
2,514,133	7/1950	Barre	126/42
3,043,289	7/1962	Fox	126/42
3,789,823	2/1974	Doskicil	126/42
4,517,955	5/1985	Ehrlich et al.	126/42
4,625,708	12/1986	Beall	126/42



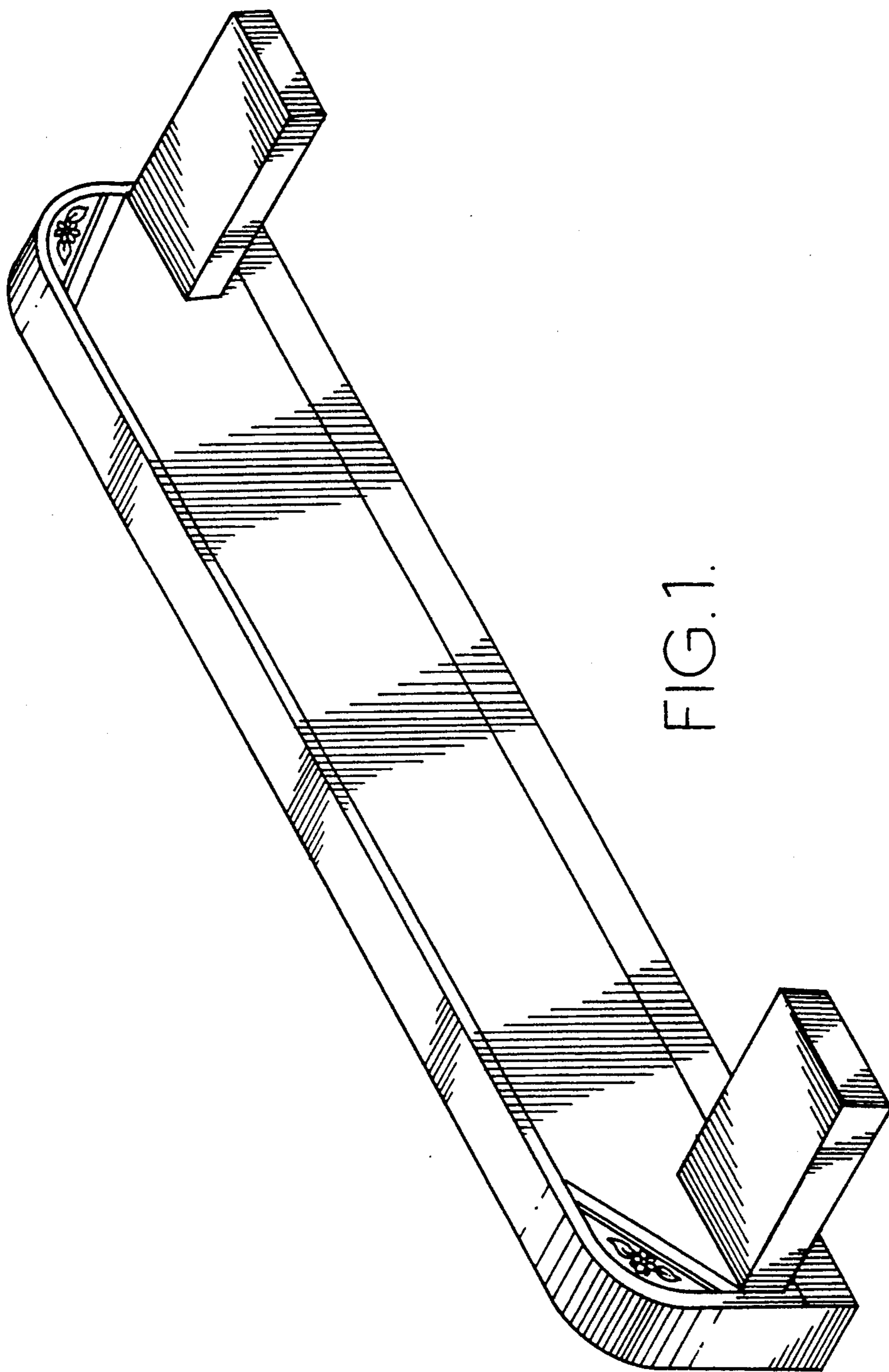


FIG. 1.

FIG. 2.

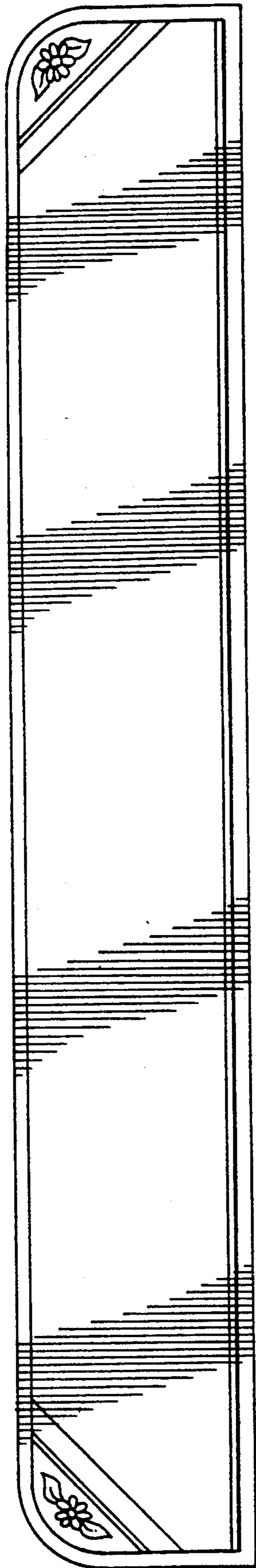
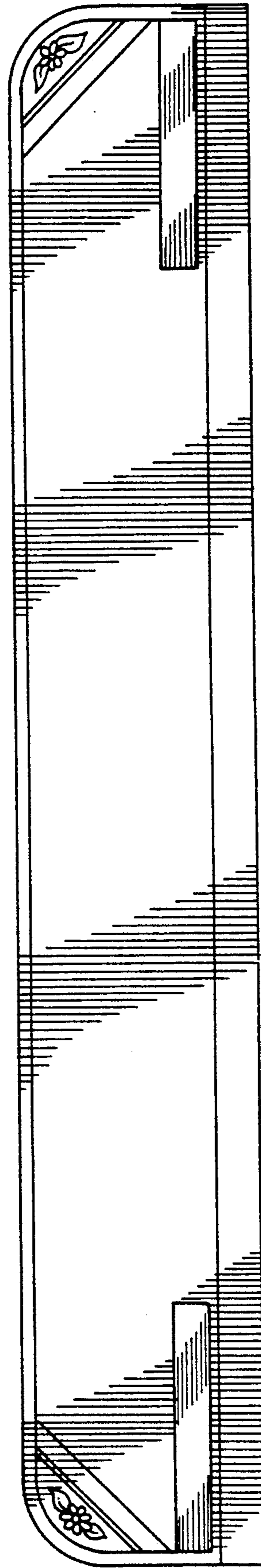


FIG. 3.



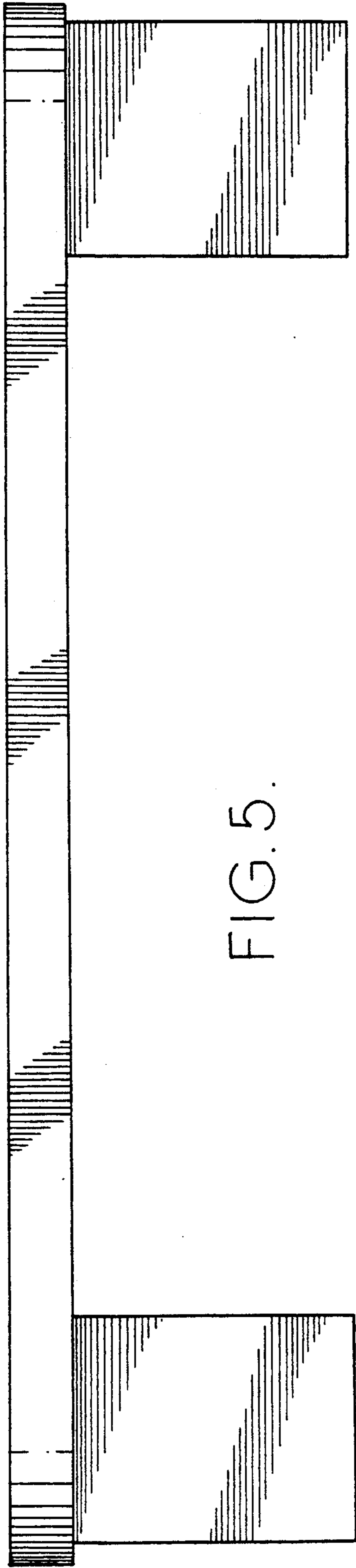


FIG. 5.

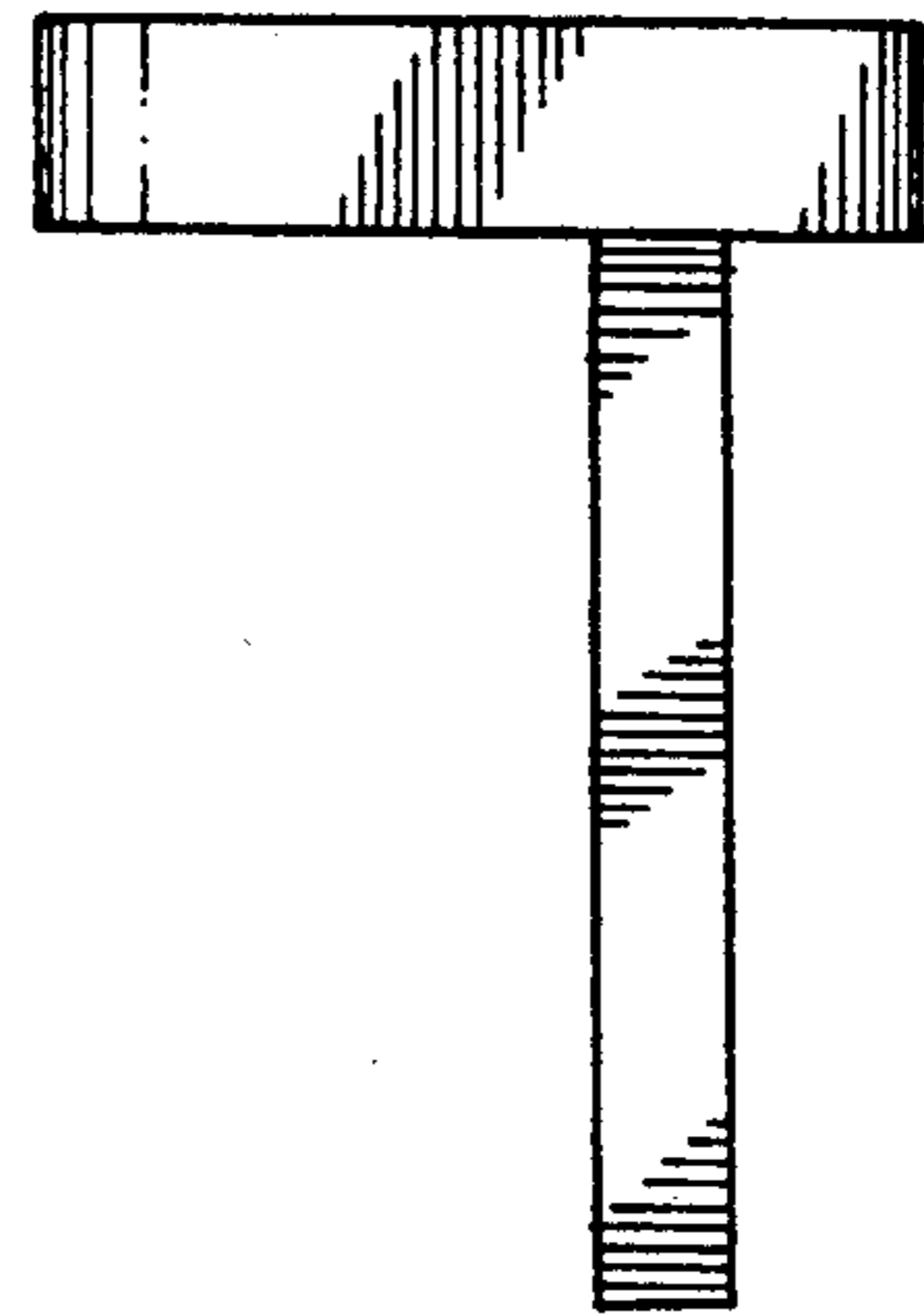


FIG. 4.