



US00D339716S

# United States Patent [19]

[11] Patent Number: **Des. 339,716**

**Barrault**

[45] Date of Patent: **\*\* Sep. 28, 1993**

## [54] ELECTRIC FOOD CHOPPER

[75] Inventor: **Jean-Louis Barrault,**  
Boulogne-Billancourt, France

[73] Assignee: **Moulinex (Societe Anonyme),**  
Bagnolet, France

[\*\*] Term: **14 Years**

[21] Appl. No.: **740,176**

[22] Filed: **Aug. 5, 1991**

### [30] Foreign Application Priority Data

Feb. 5, 1991 [FR] France ..... 91 0720

[52] U.S. Cl. .... **D7/383; D7/381**

[58] Field of Search ..... **D7/376, 381, 382, 383,**  
**D7/384, 372, 373, 374, 412, 414;**  
**222/142.1-142.9; 241/169, 169.1, 37.5, 93**

### [56] References Cited

#### U.S. PATENT DOCUMENTS

D. 183,562	9/1958	De Angelis .....	D7/373
D. 212,260	9/1968	Cabell .....	D7/373
D. 241,404	9/1976	Mantelet .....	D7/384
D. 255,861	7/1980	Hsu .....	D7/381 X
D. 303,482	9/1989	Barrault .....	D7/381
D. 320,326	10/1991	Barrault .....	D7/384

### OTHER PUBLICATIONS

Industrial Design Mag. May/Jun. 1979; p. 23; #6 Krups Food Chopper.

W. Bell Catalog; 1987/1988; p. 278; #1, 2 & 3 Cuisinart Chopper, Maxim Chopper & Rival Chopper: top of page.

*Primary Examiner*—Alan P. Douglas

*Assistant Examiner*—Caron D. Veynar

*Attorney, Agent, or Firm*—Young & Thompson

### [57] CLAIM

The ornamental design for an electric food chopper, as shown.

### DESCRIPTION

FIG. 1 is a front, side and top perspective view of an electric food chopper showing my new design;

FIG. 2 is a front elevational view thereof;

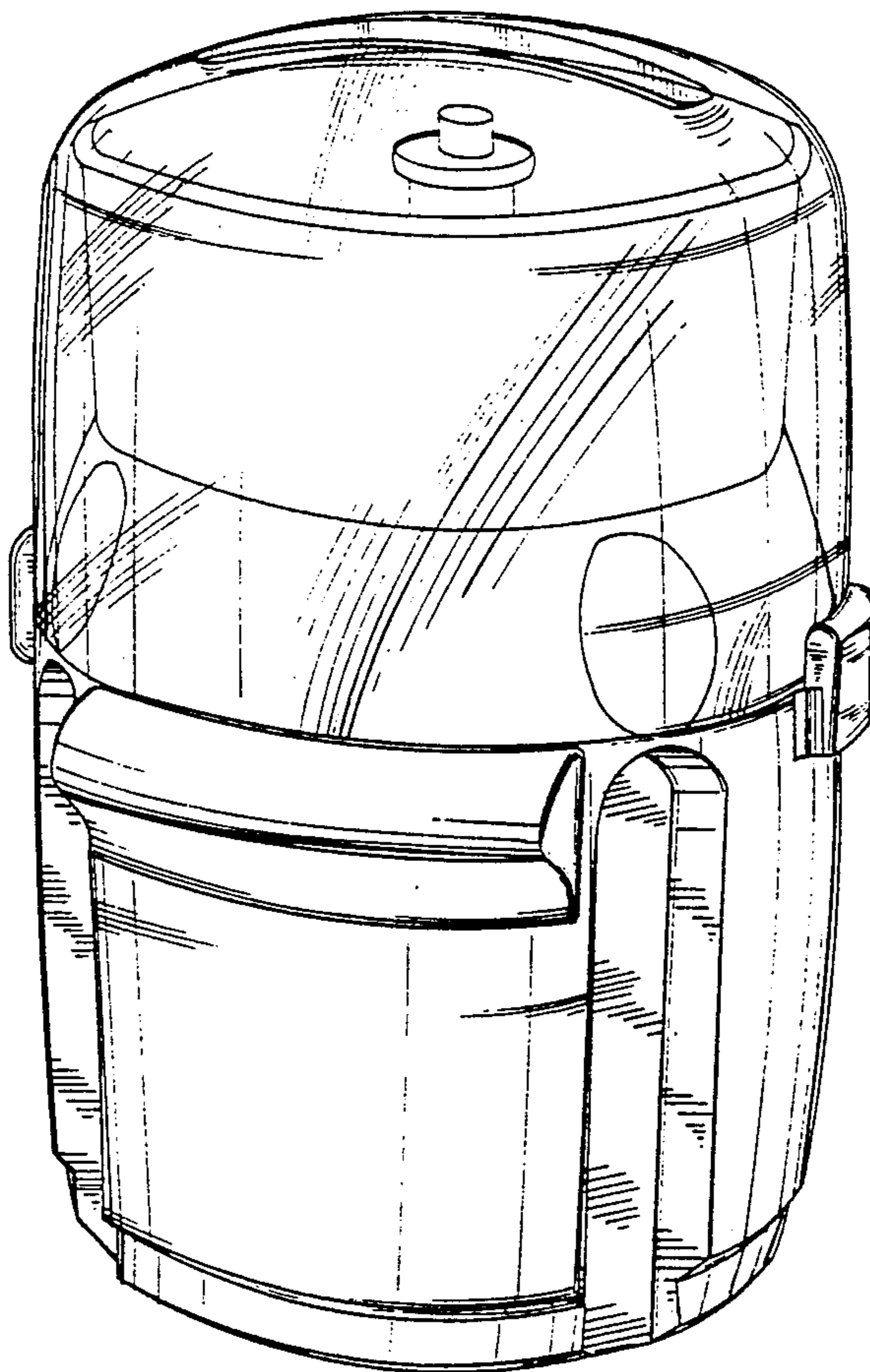
FIG. 3 is a rear elevational view thereof;

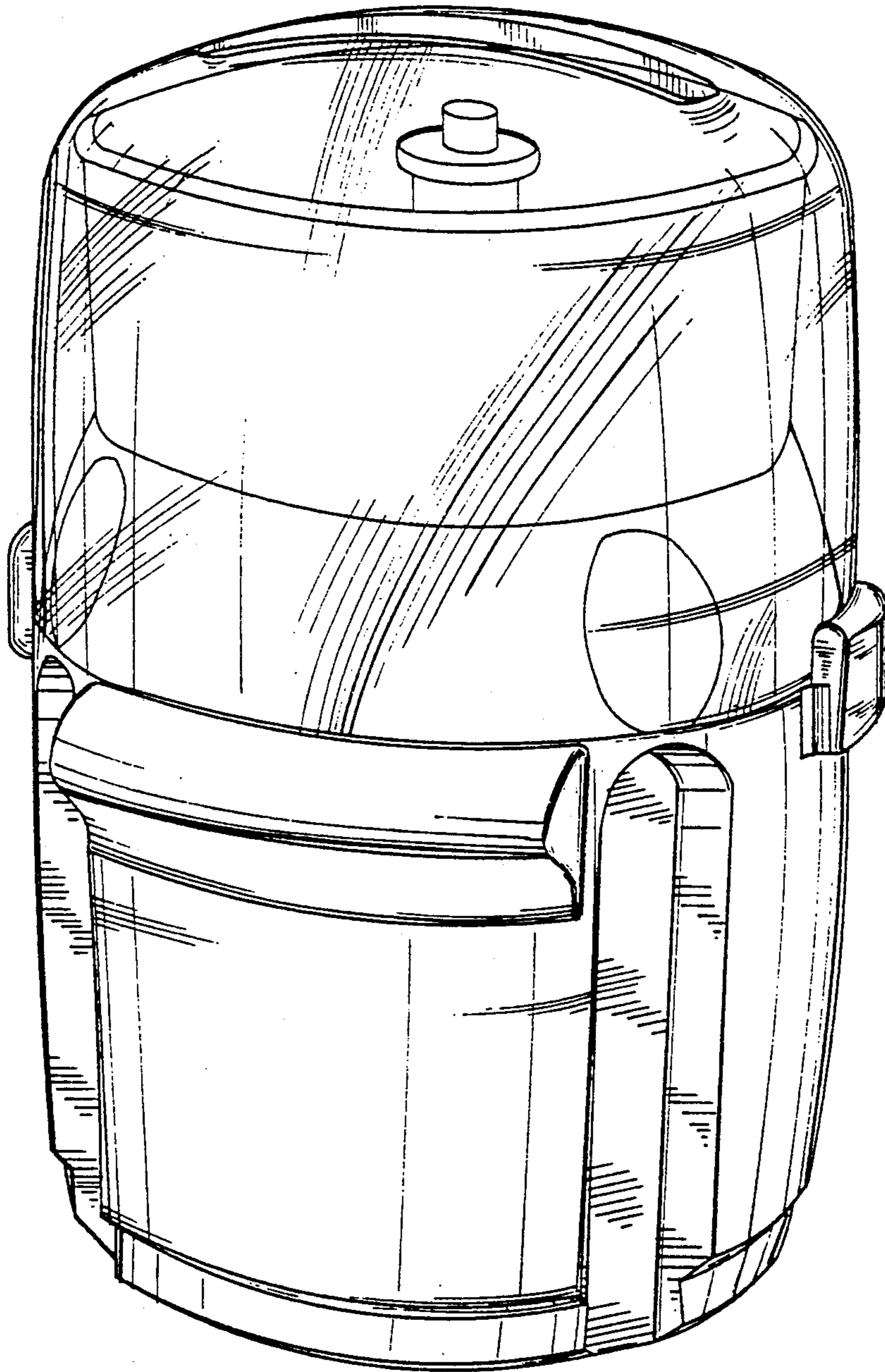
FIG. 4 is a side elevational view thereof from the left of FIG. 2;

FIG. 5 is a side elevational view thereof from the right of FIG. 2;

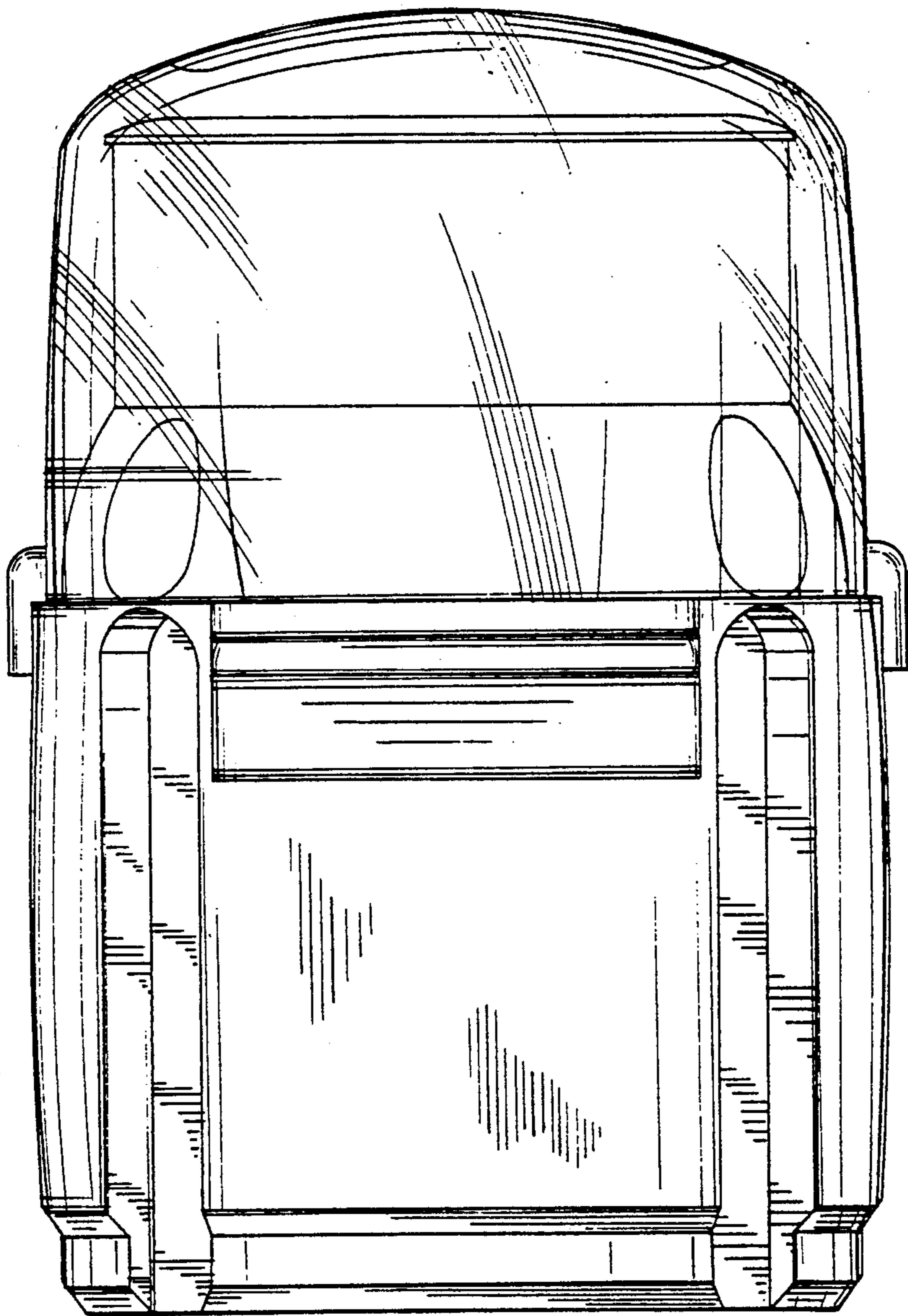
FIG. 6 is a top plan view thereof; and,

FIG. 7 is a bottom plan view thereof.



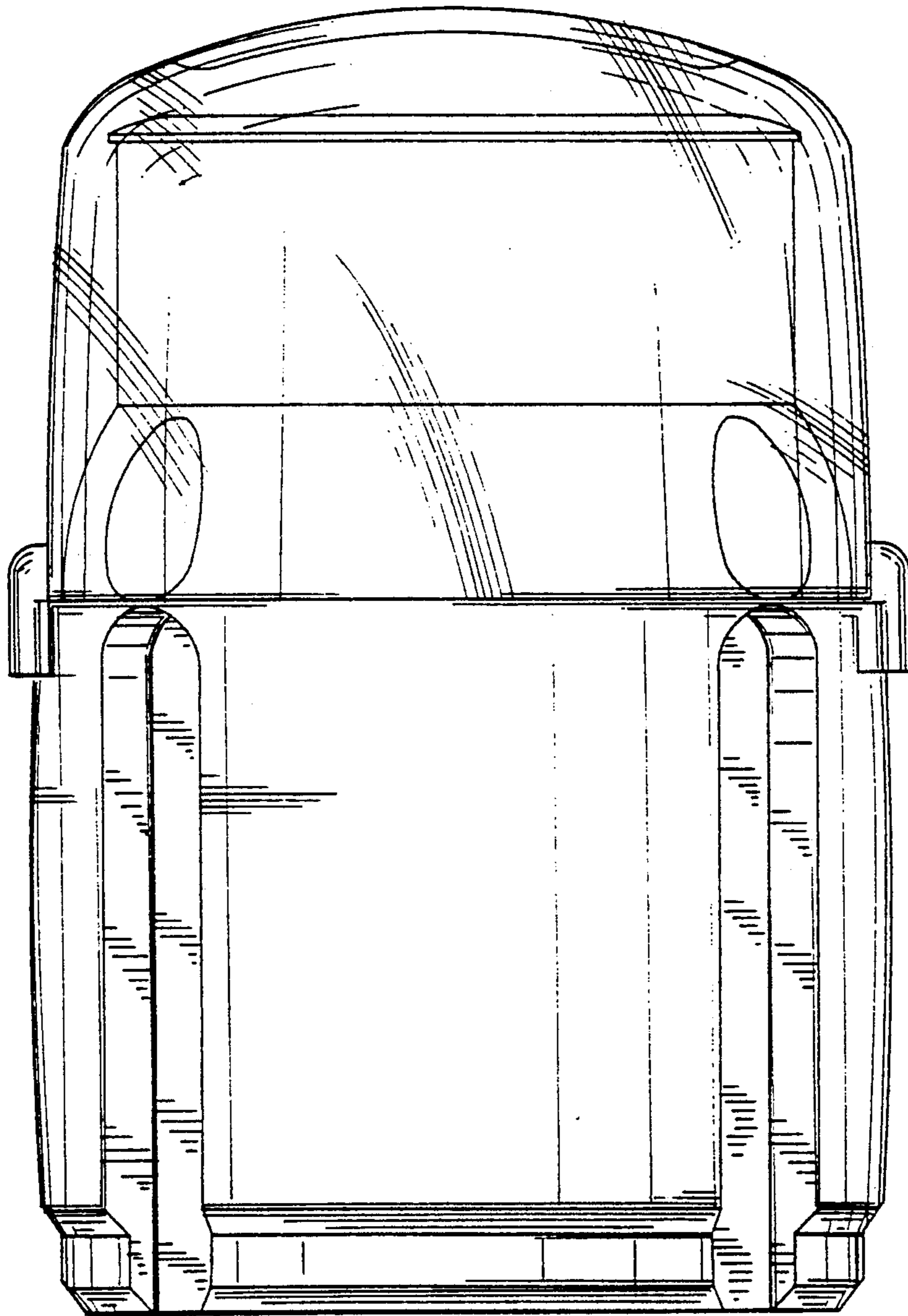


**FIG. 1**

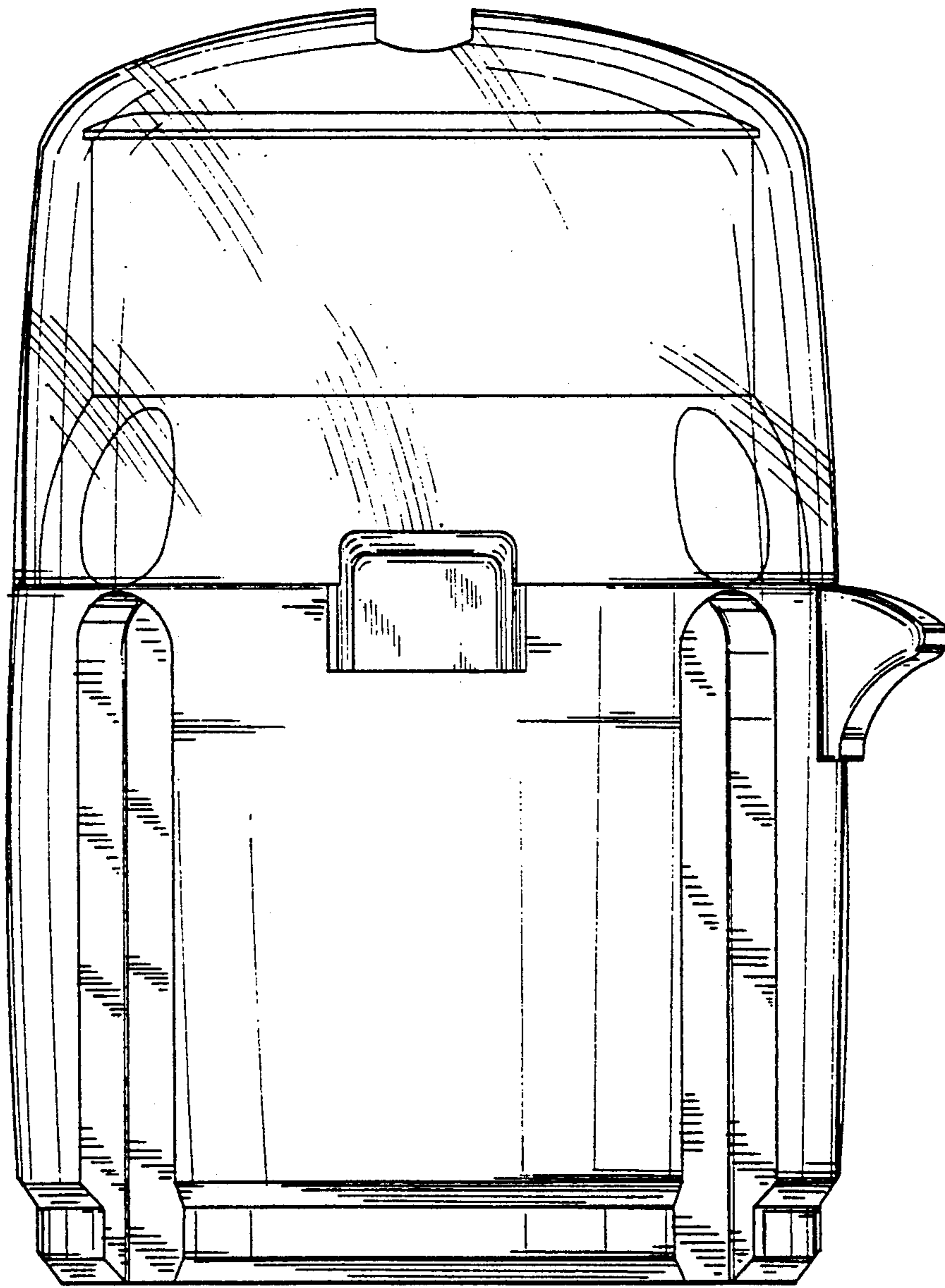


**FIG. 2**

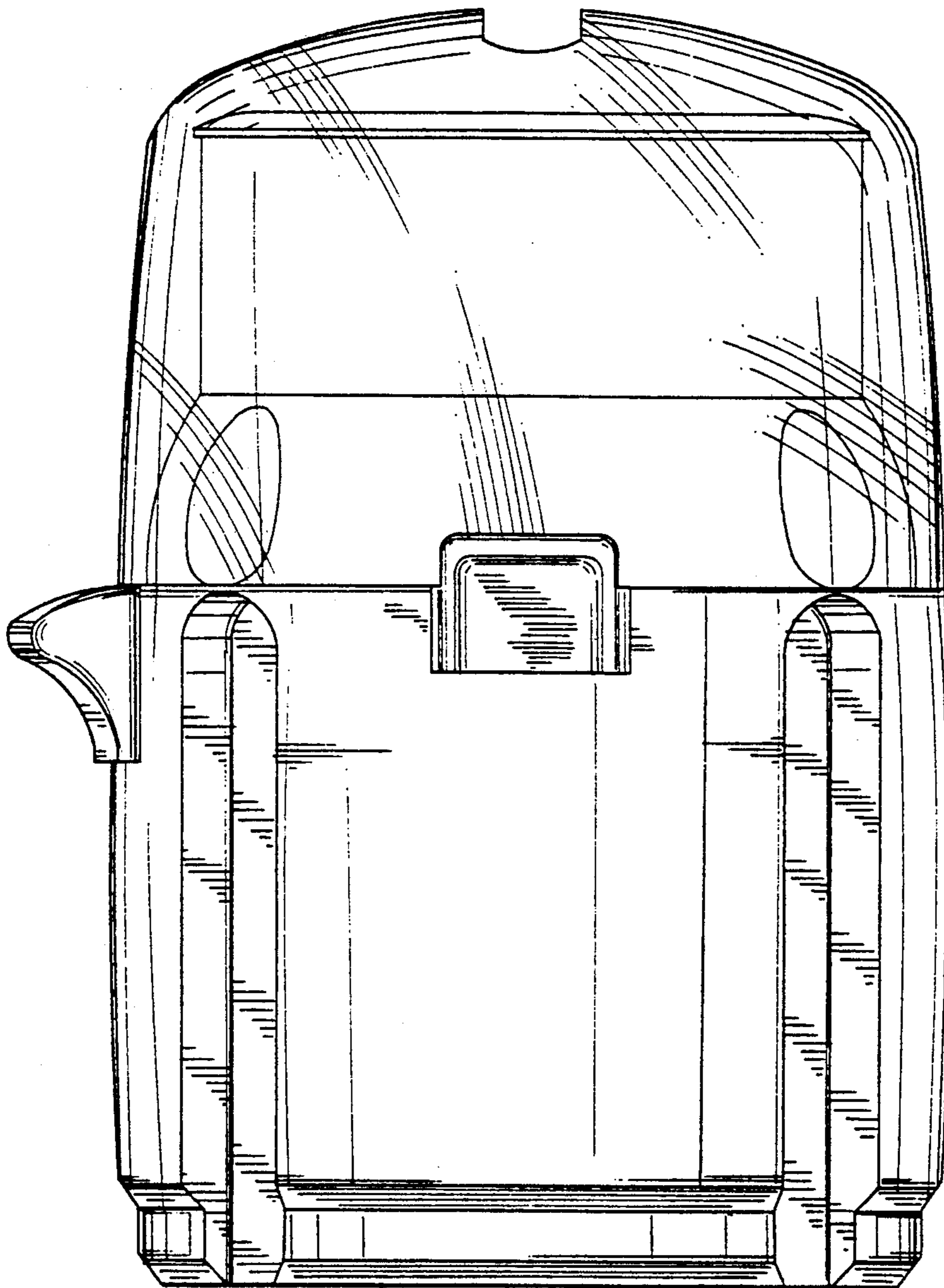




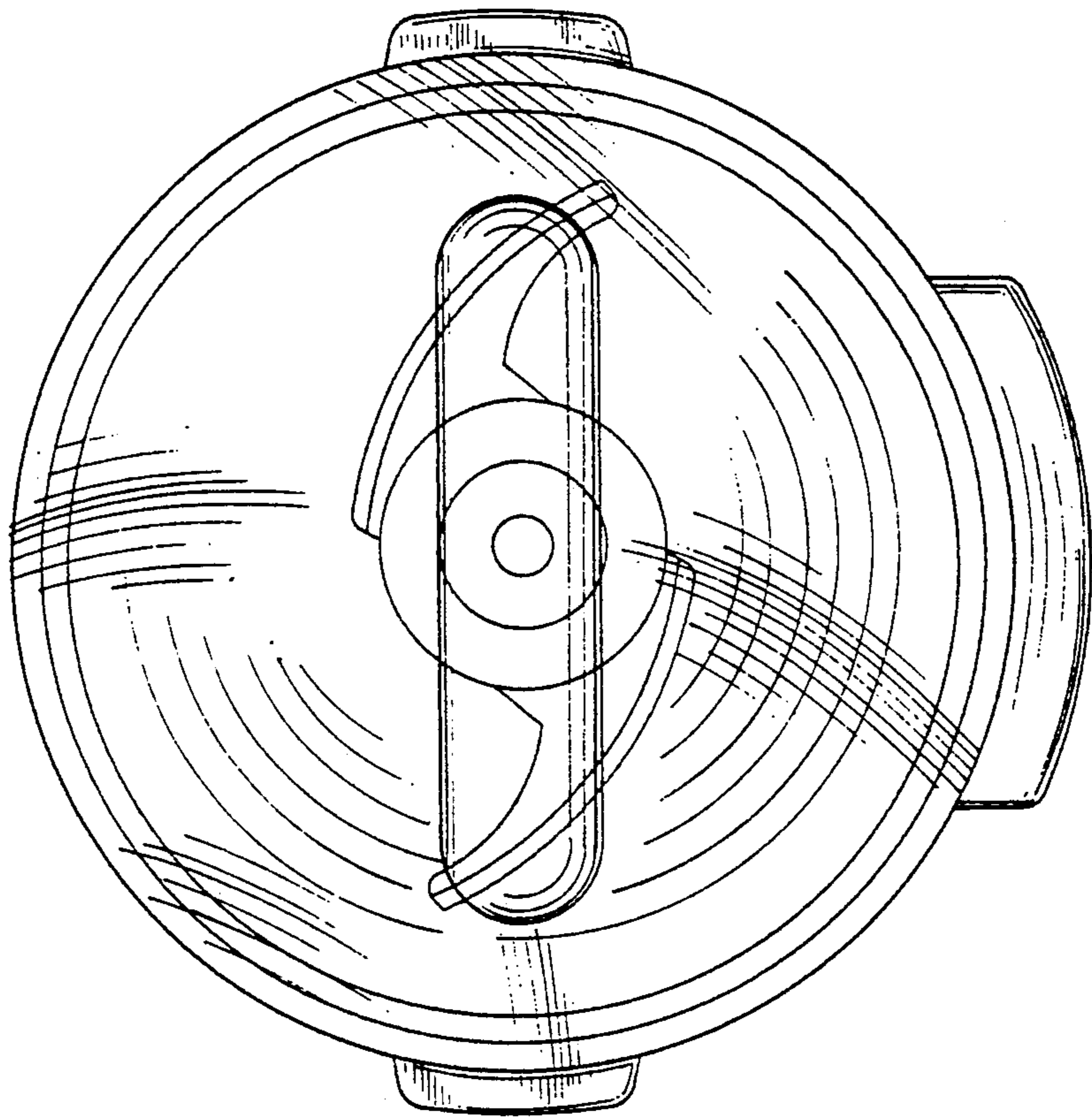
**FIG. 3**



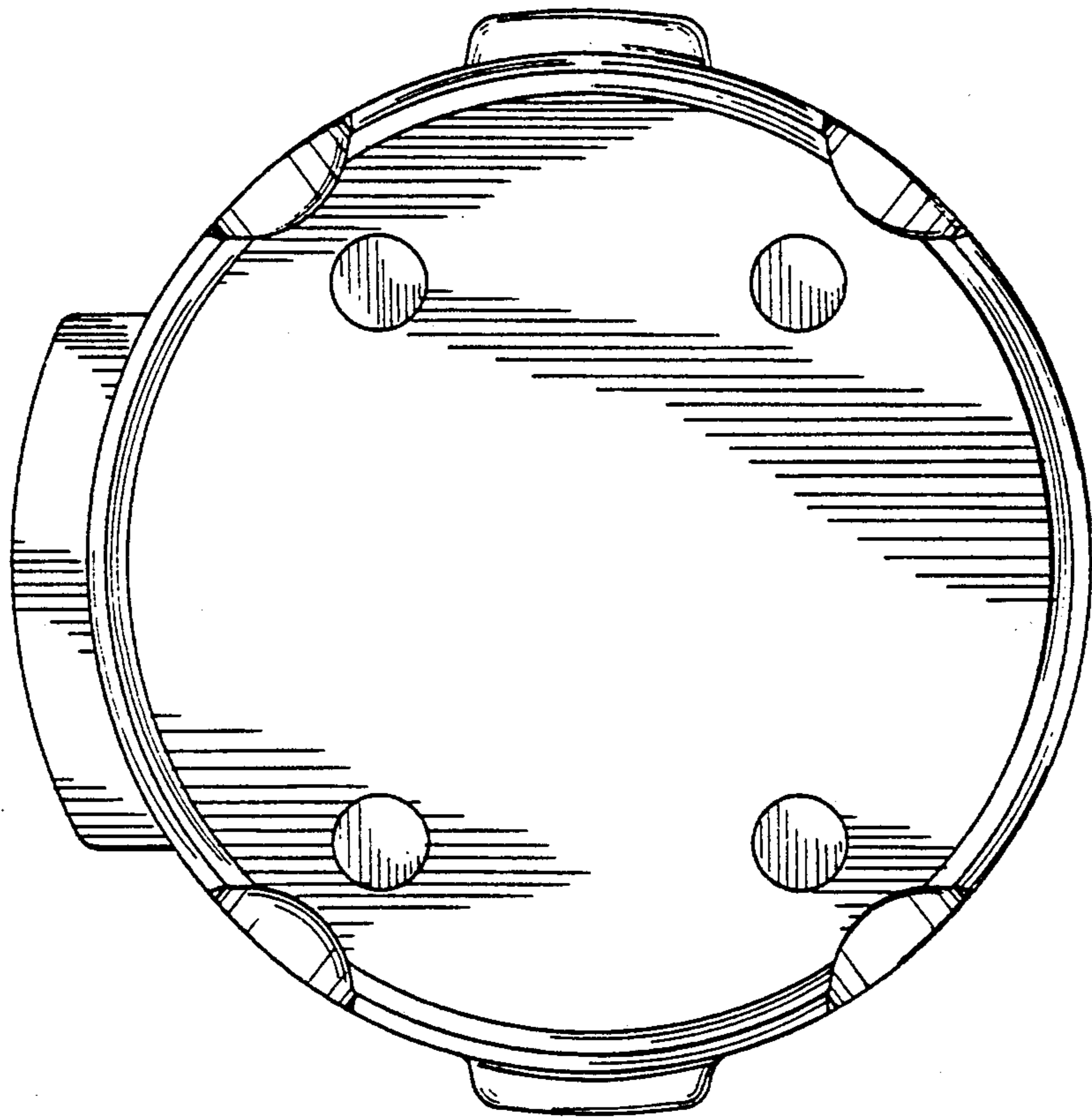
**FIG. 4**



**FIG. 5**



**FIG. 6**



**FIG. 7**