



US00D339714S

United States Patent [19]

[11] Patent Number: **Des. 339,714**

Leblanc et al.

[45] Date of Patent: **** Sep. 28, 1993**

[54] BARBECUE GRILL TOP

[75] Inventors: **Tatjana Leblanc**, Columbus; **Robert W. Mervar**, Dublin; **Gregory S. Breiding**, Columbus; **Spencer B. Murrell**, Delaware, all of Ohio; **James M. Fitzgerald**; **Steven J. Carletti**, both of Freeport, Ill.

[73] Assignee: **The Thermos Company**, Schaumburg, Ill.

[**] Term: **14 Years**

[21] Appl. No.: **713,347**

[22] Filed: **Jun. 10, 1991**

[52] U.S. Cl. **D7/334**

[58] Field of Search **D7/332, 334-336, D7/338; 99/419, 421 R; 126/25 R, 25 A, 25 AA, 25 B, 29-30, 38**

[56] References Cited

U.S. PATENT DOCUMENTS

D. 226,540	3/1973	Dushek	D7/334
D. 323,444	1/1992	Masters	D7/332
D. 323,952	2/1992	Wagner et al.	D7/332
D. 324,622	5/1992	Baynes et al.	D7/334
D. 326,207	5/1992	Koziol	D7/332
4,955,358	9/1990	Harris et al.	126/25 R
5,088,470	2/1992	James, Jr. et al.	126/25 R

OTHER PUBLICATIONS

"Thermos®" Brochure, Copyright 1987.
"Thermos® Tastefully Done" Brochure, Copyright 1988.
"Thermos® Quality Since 1907" Brochure, Copyright 1989.
"Thermos® Introduces the Future" Brochure, Copyright 1990.

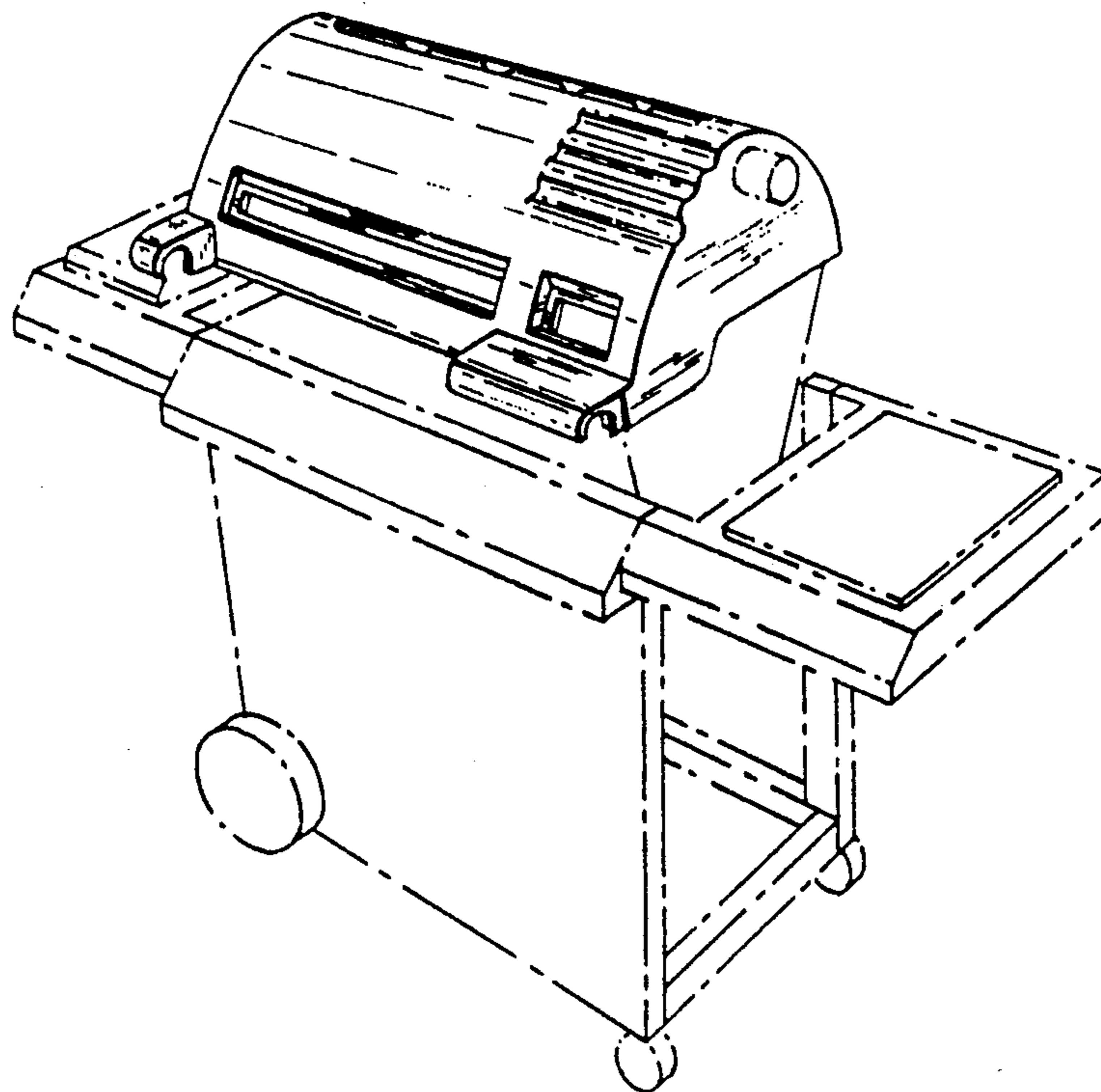
Primary Examiner—Ruth McInroy
Attorney, Agent, or Firm—Harness, Dickey & Pierce

[57] CLAIM

The ornamental design for a barbecue grill top, as shown and described.

DESCRIPTION

FIG. 1 is a perspective view of a barbecue grill top showing our new design, the portions of the grill shown in broken lines are for illustrative purposes only and form no part of the claimed design;
FIG. 2 is an enlarged front elevational view thereof;
FIG. 3 is an enlarged top plan view thereof;
FIG. 4 is an enlarged rear elevational view thereof;
FIG. 5 is an enlarged cross sectional view thereof, taken along line 5—5 in FIG. 3;
FIG. 6 is an enlarged right side elevational view thereof;
FIG. 7 is an enlarged left side elevational view thereof;
FIG. 8 is an enlarged cross sectional view taken along line 8—8 in FIG. 3; and,
FIG. 9 is an enlarged cross sectional view taken along line 9—9 in FIG. 3.



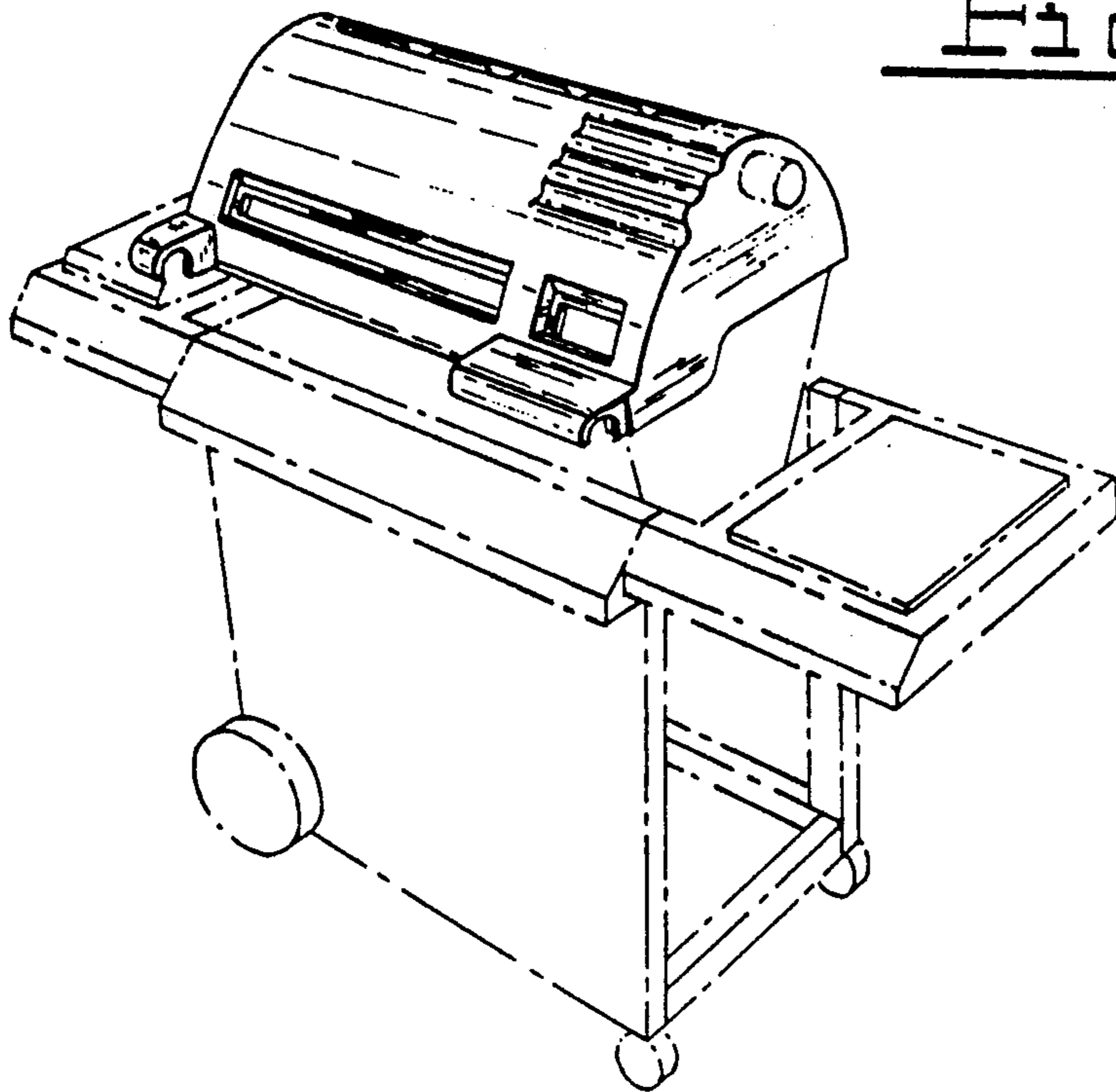


FIG. 1.

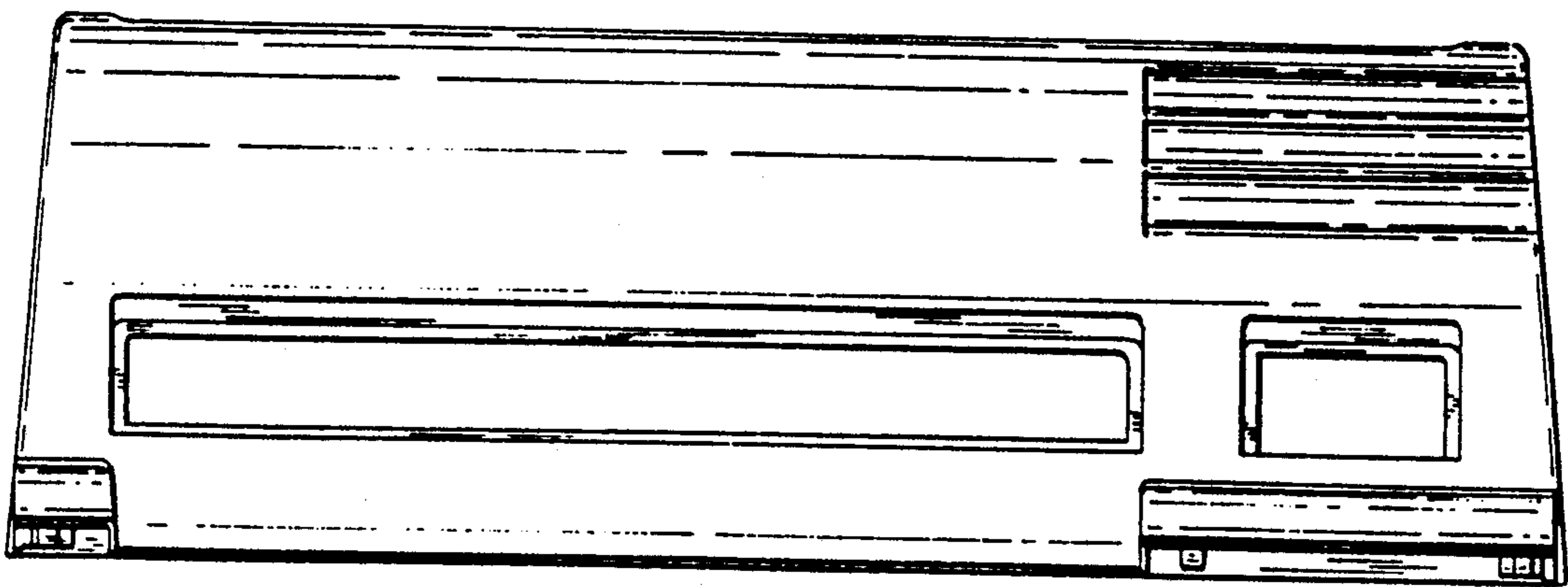


FIG. 2.

