



US00D339713S

United States Patent [19]

[11] Patent Number: **Des. 339,713**

Gueringer

[45] Date of Patent: **** Sep. 28, 1993**

[54] **HOT DOG STEAMER**

[76] Inventor: **Willard Gueringer, 17807 Tuscan Dr., Granada Hills, Calif. 91344**

[**] Term: **14 Years**

[21] Appl. No.: **917,431**

[22] Filed: **Jul. 23, 1992**

[52] U.S. Cl. **D7/354; D7/360**

[58] Field of Search **D7/323, 354, 355, 358, D7/359, 360, 402; 99/324, 325, 339, 345, 425, 426**

[56] **References Cited**

U.S. PATENT DOCUMENTS

- D. 250,448 12/1978 Boldt et al. D7/360
- D. 260,131 8/1981 Hiatt et al. D7/354
- D. 268,159 3/1983 Fox D7/354

OTHER PUBLICATIONS

Modern Plastics; Jul.-1948; p. 105; Hot Dog Cooker.

Primary Examiner—Alan P. Douglas

Assistant Examiner—Caron D. Veynar

Attorney, Agent, or Firm—Keith D. Beecher

[57] **CLAIM**

The ornamental design for a hot dog steamer, as shown.

DESCRIPTION

FIG. 1 is a perspective representation of hot dog steamer of my new design;

FIG. 2, is a right side view thereof;

FIG. 3 is a front view thereof;

FIG. 4 is a top plan view thereof;

FIG. 5 is a bottom view thereof;

FIG. 6 is a rear view thereof; and,

FIG. 7 is a top view thereof with the lid removed.

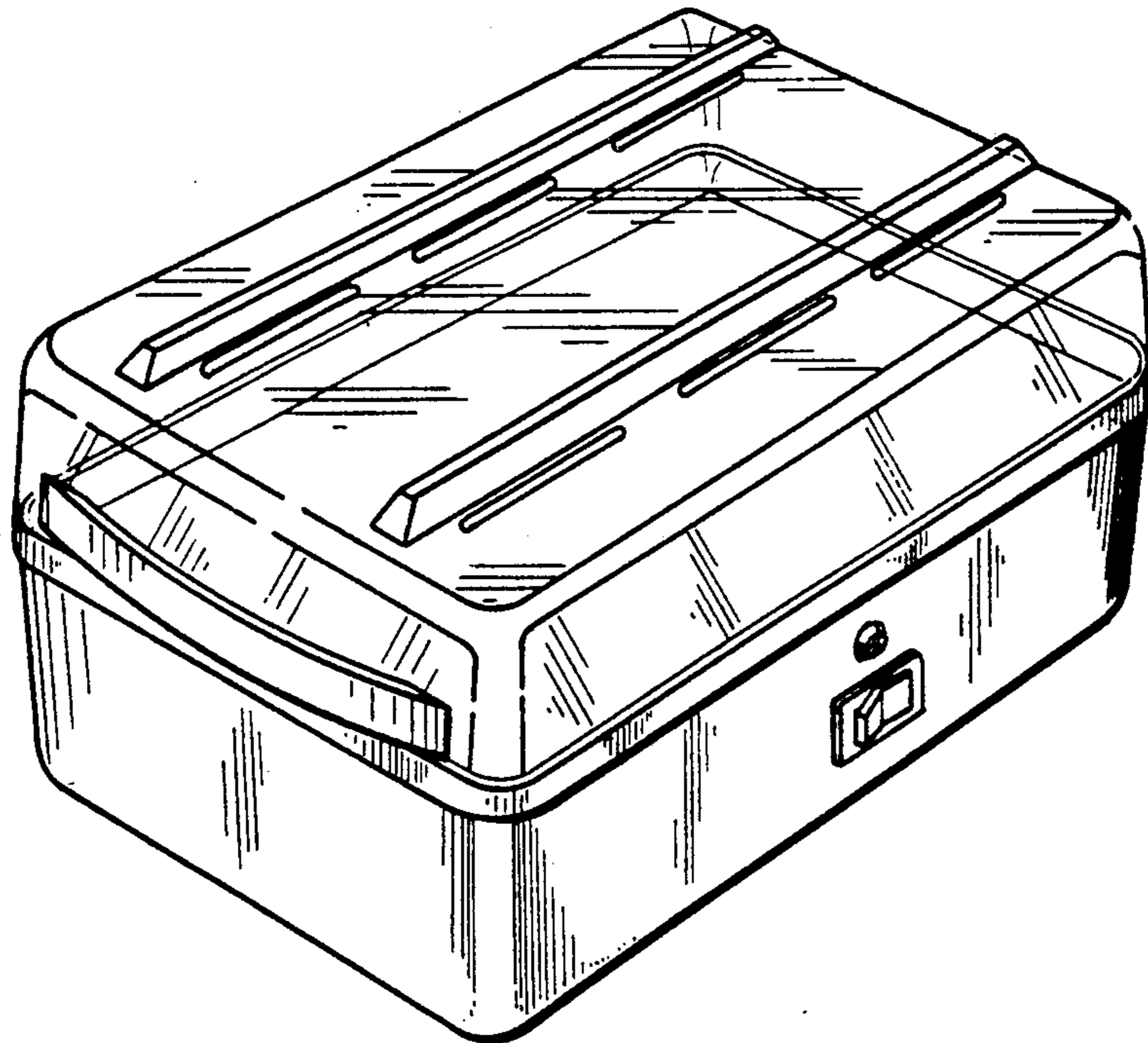


FIG. 1

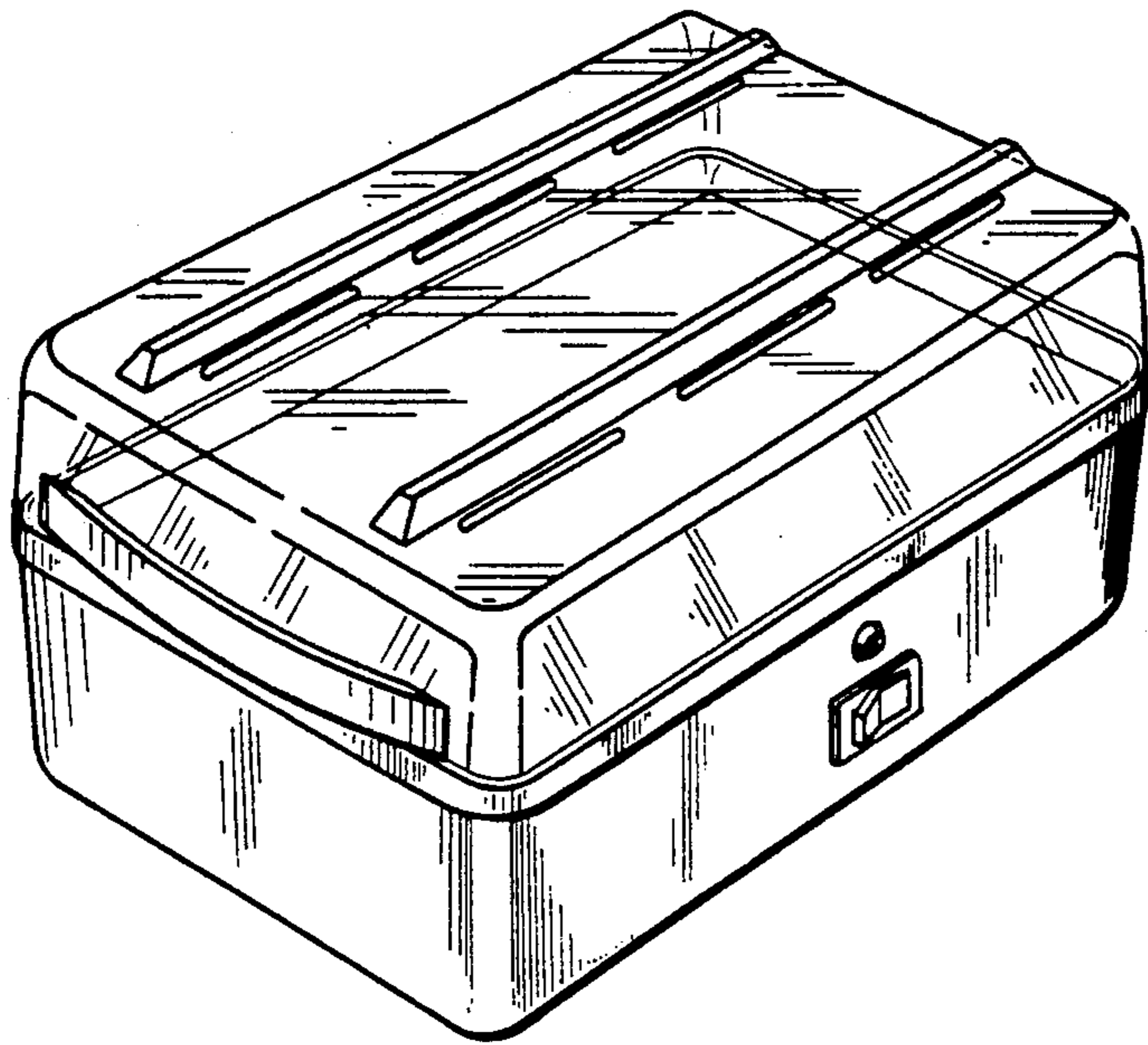


FIG. 2

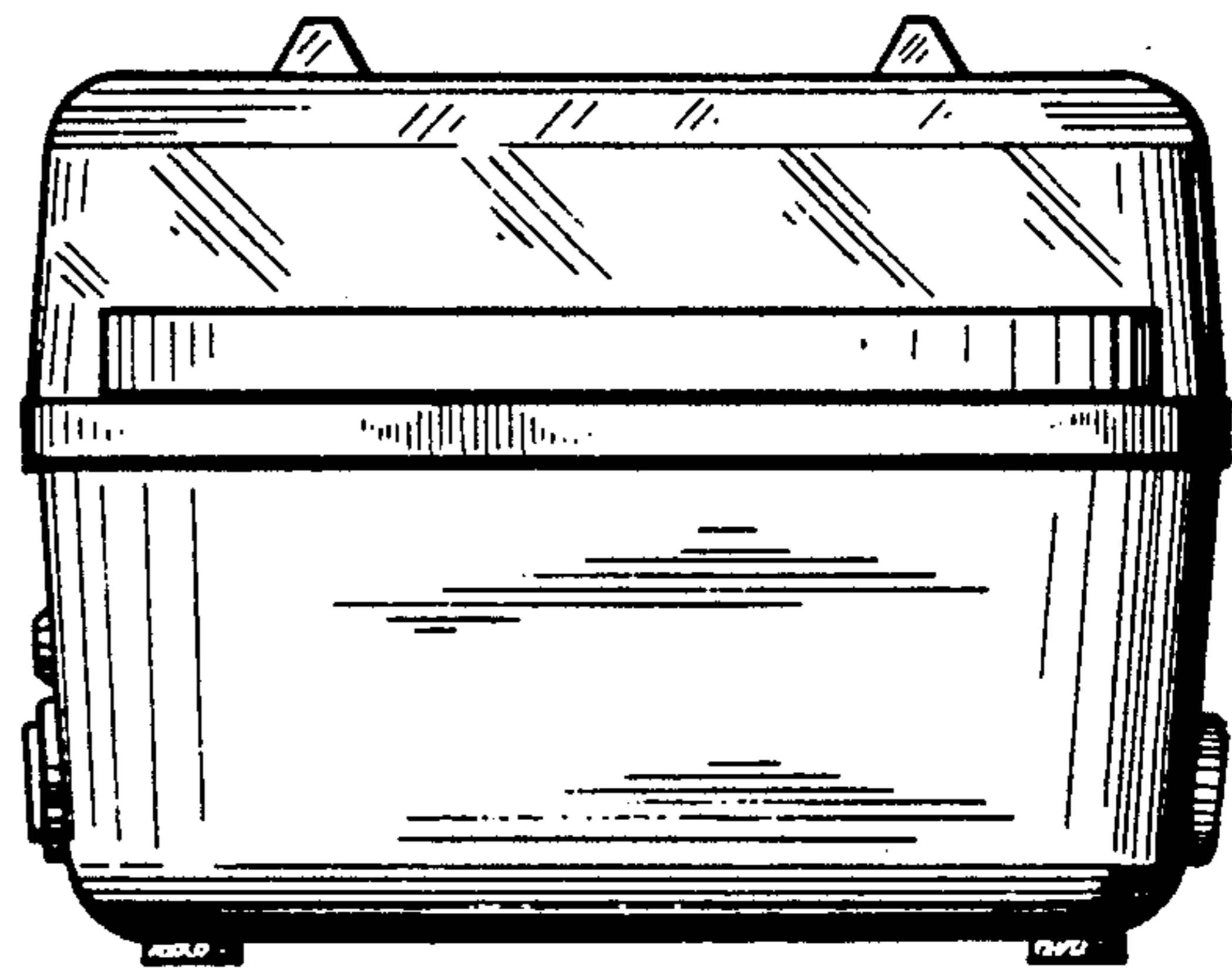


FIG. 3

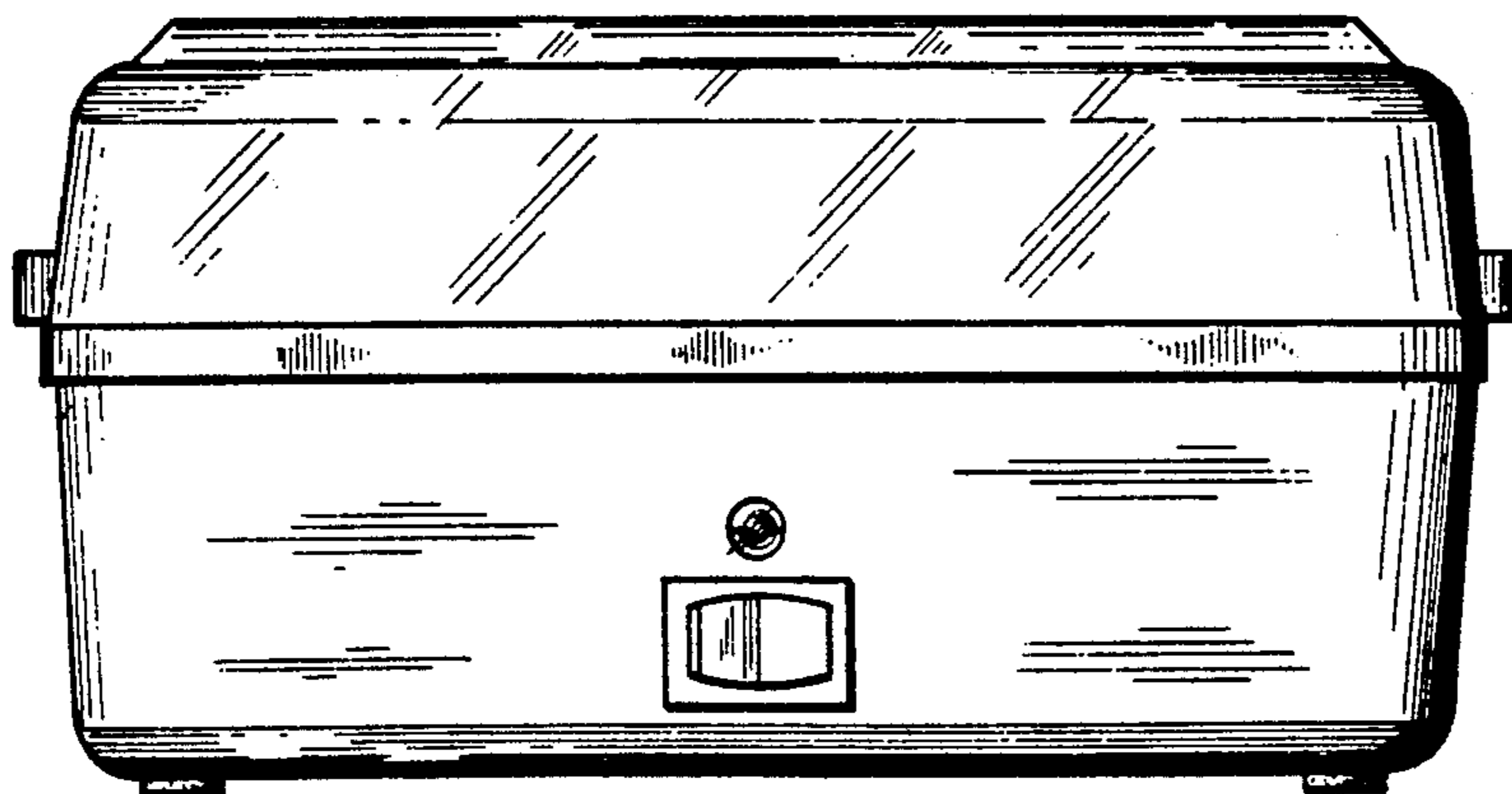


FIG. 4

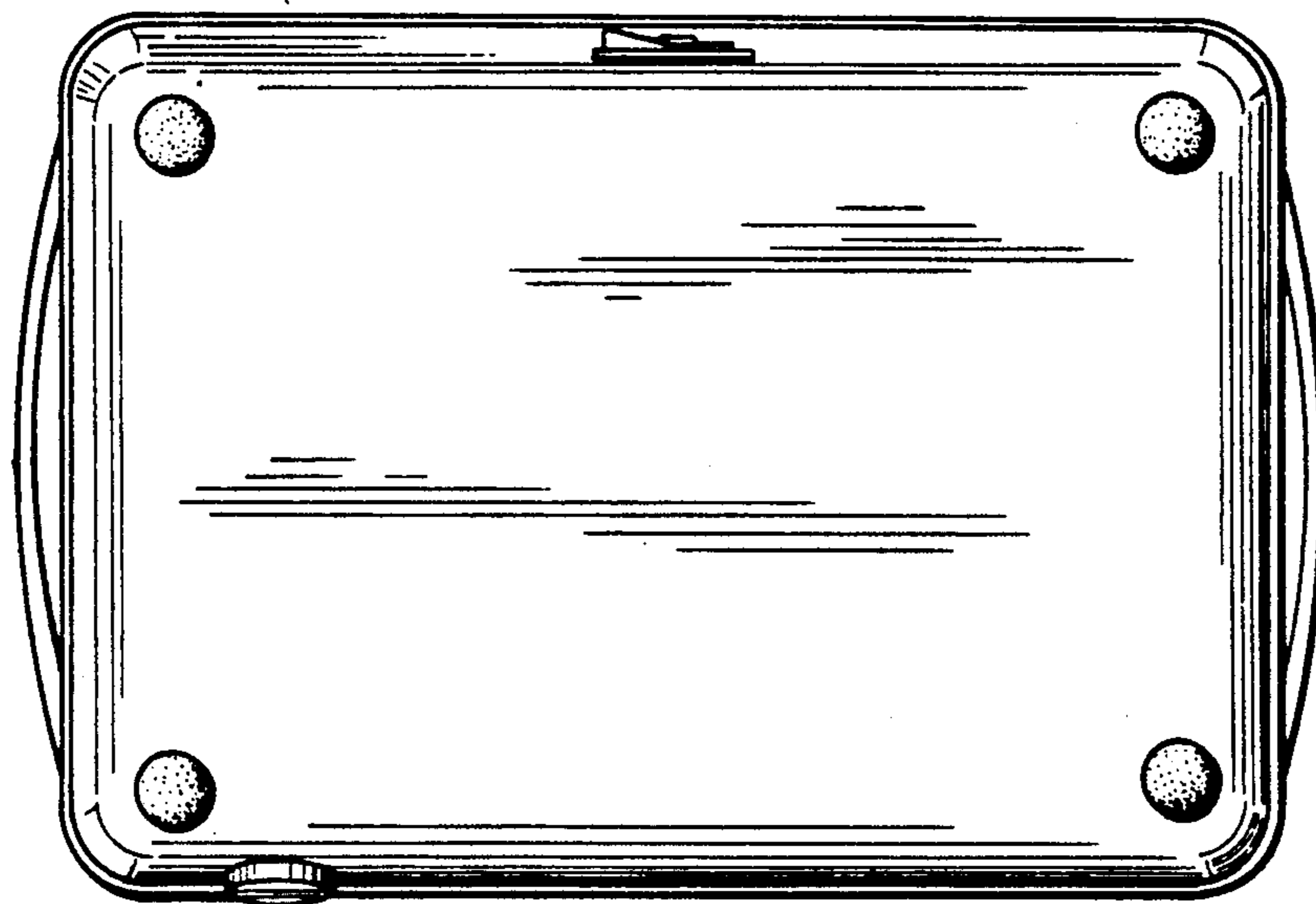
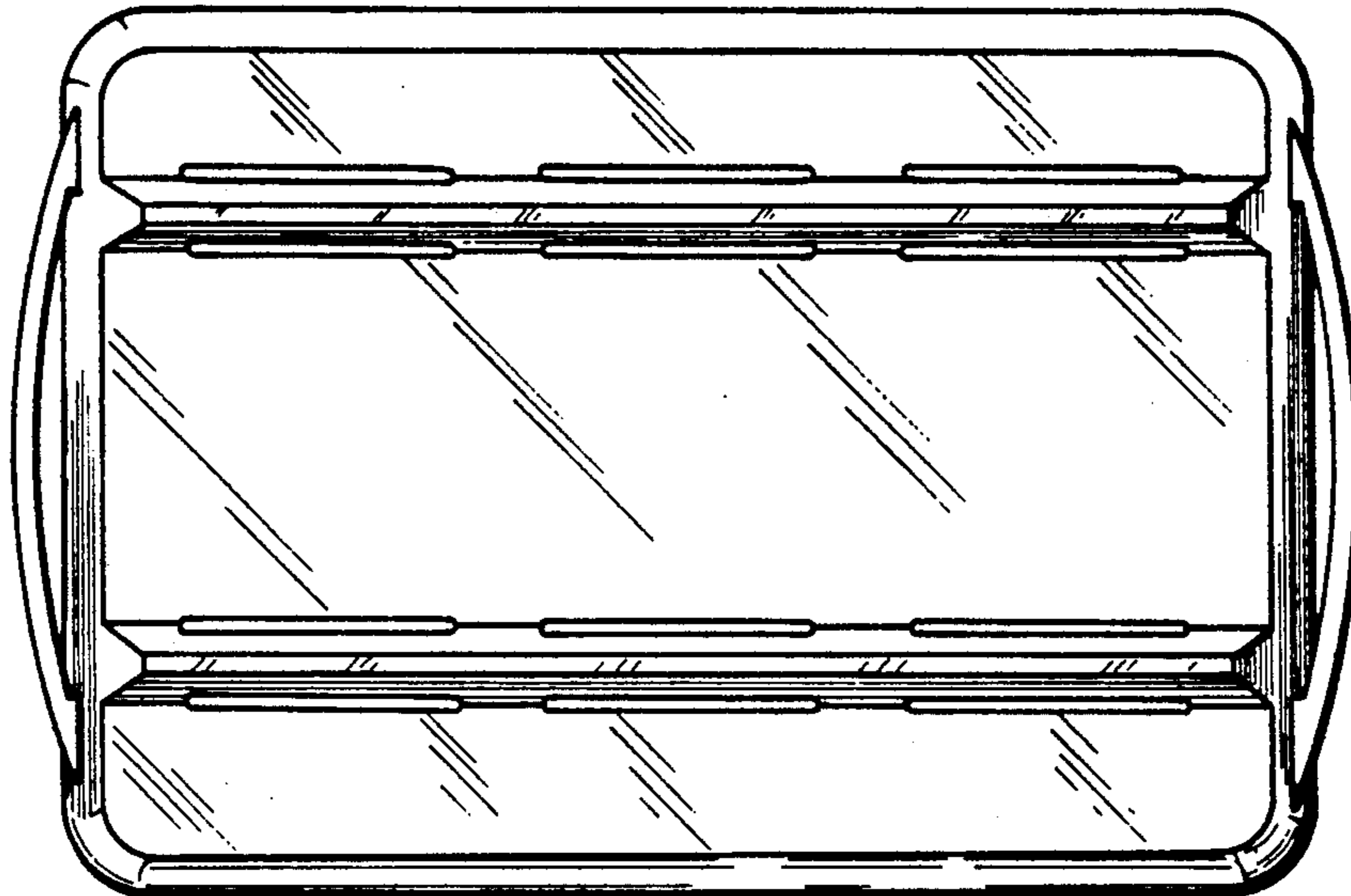


FIG. 5

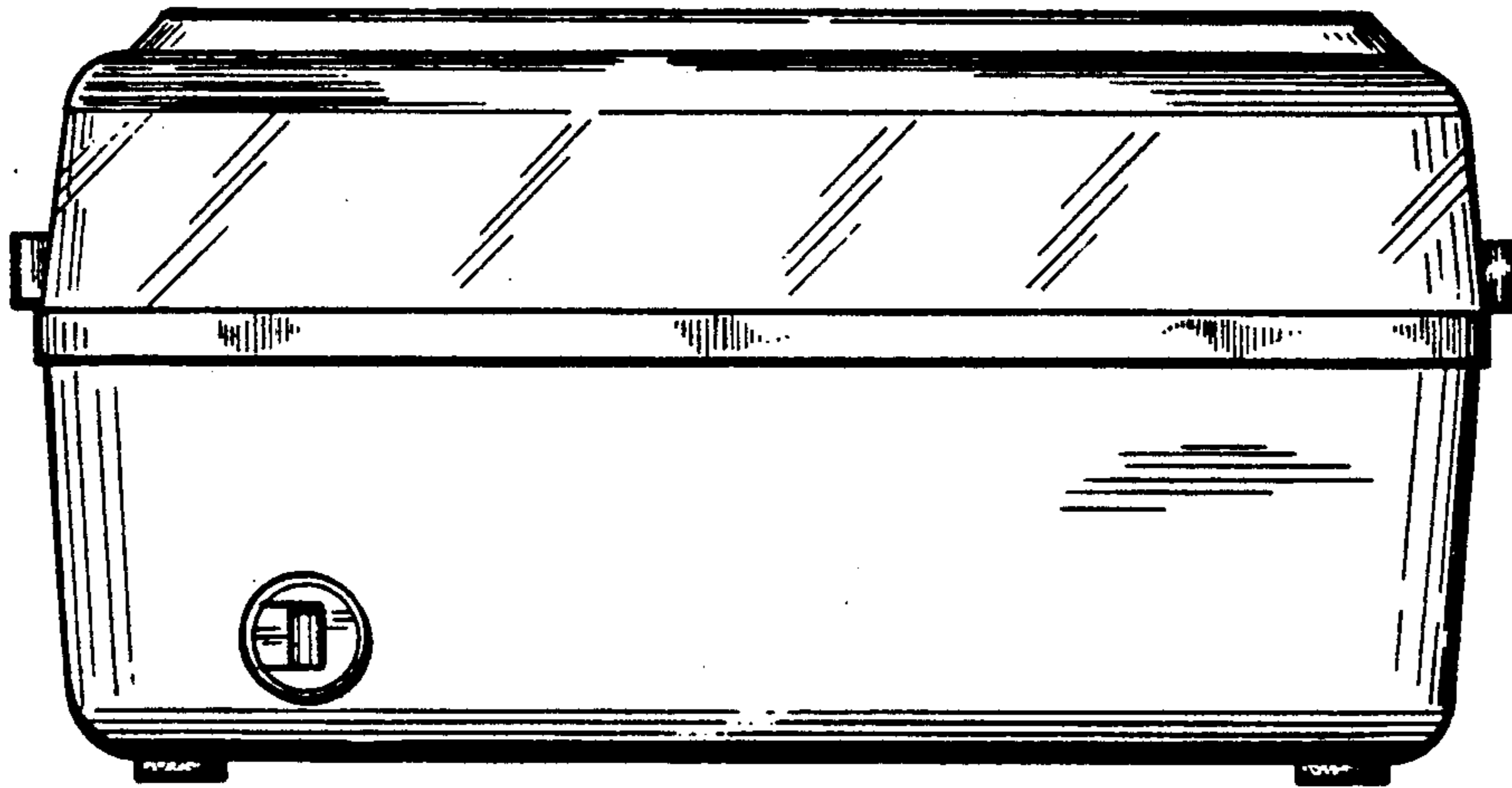


FIG. 6

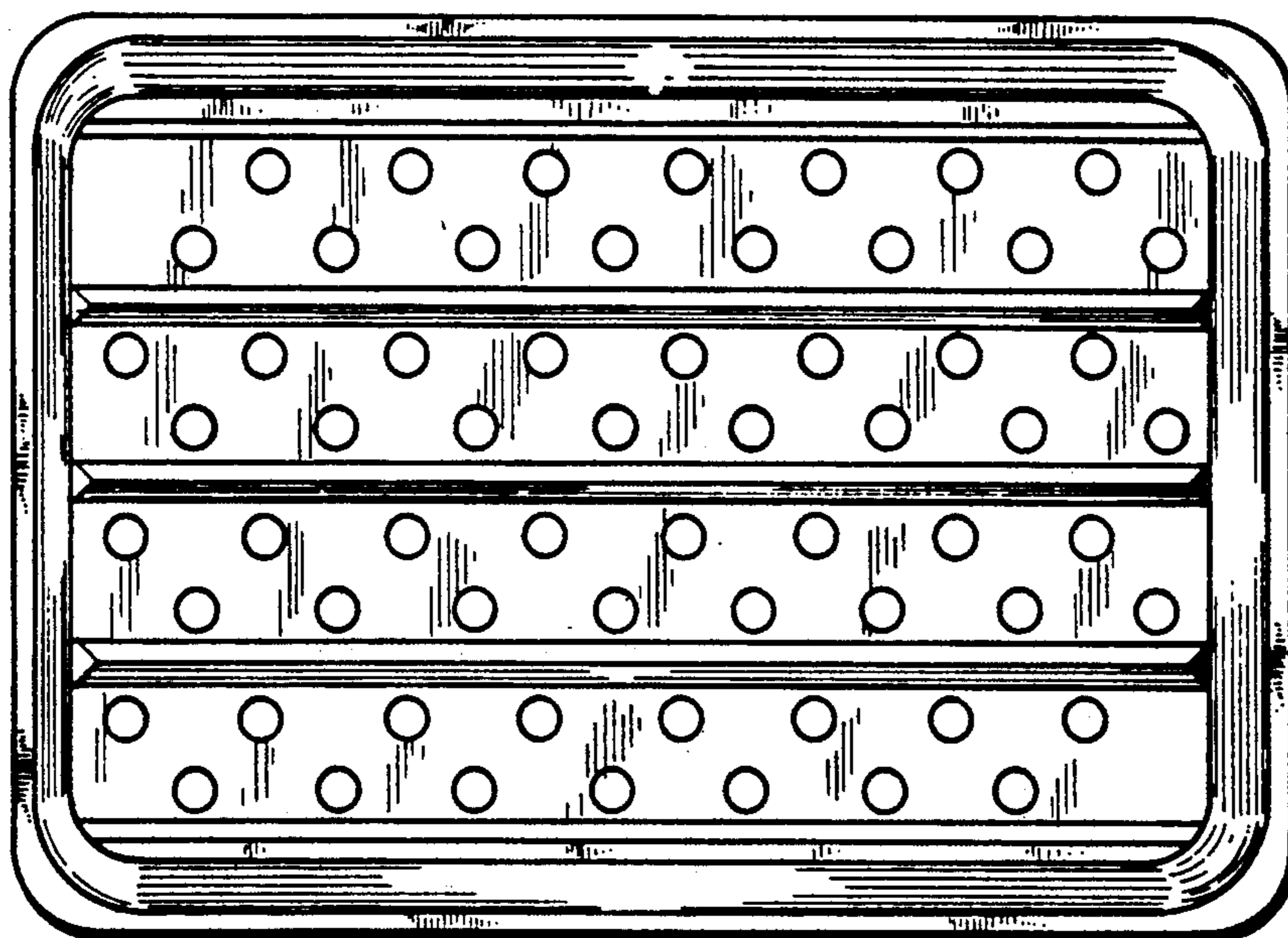


FIG. 7