



US00D339712S

United States Patent [19]

[11] Patent Number: **Des. 339,712**

Bunn et al.

[45] Date of Patent: **** Sep. 28, 1993**

[54] CARAFE

[75] Inventors: **Arthur H. Bunn, Springfield, Ill.;**
Robert Worrell, Hopkins, Minn.

[73] Assignee: **Bunn-O-Matic Corporation,**
Springfield, Ill.

[**] Term: **14 Years**

[21] Appl. No.: **702,685**

[22] Filed: **May 20, 1991**

[52] U.S. Cl. **D7/318; D7/317;**
D7/316

[58] Field of Search **D7/317, 608, 316, 318,**
D7/319, 320, 321, 322, 312, 300, 303, 313, 310,
309, 311, 533, 534, 305; 222/131, 207; 215/13.1,
12.1; 99/279, 295, 306

[56] **References Cited**

U.S. PATENT DOCUMENTS

- D. 286,848 11/1986 Levin .
- D. 290,216 6/1987 Precht .
- D. 299,608 1/1989 Knochner .
- D. 303,903 10/1989 Ueda et al. **D7/305 X**
- D. 313,146 12/1990 Precht **D7/309**

- D. 314,881 2/1991 Wondergem et al. **D7/310 X**
- D. 326,206 5/1992 Rakocy et al. **D7/317**
- D. 329,160 9/1992 Choi **D7/309**
- 4,638,928 1/1987 Webster **D7/313 X**
- 4,658,117 4/1987 Sayward, Jr. **D7/313 X**
- 4,920,868 5/1990 Gehrmann **99/279**
- 4,969,392 11/1990 Steele et al. **99/295 X**
- 4,986,171 1/1991 Precht **99/279**

Primary Examiner—Alan P. Douglas

Assistant Examiner—M. N. Pandozzi

Attorney, Agent, or Firm—Trexler, Bushnell, Giangiorgi & Blackstone, Ltd.

[57] CLAIM

The ornamental design for a carafe, as shown and described.

DESCRIPTION

FIG. 1 is a perspective view of a carafe showing our new design;
 FIG. 2 is a side elevational view thereof, the side opposite being a mirror image of the side shown;
 FIG. 3 is a front elevational view thereof;
 FIG. 4 is a rear elevational view thereof;
 FIG. 5 is a top plan view thereof; and,
 FIG. 6 is a bottom plan view thereof.

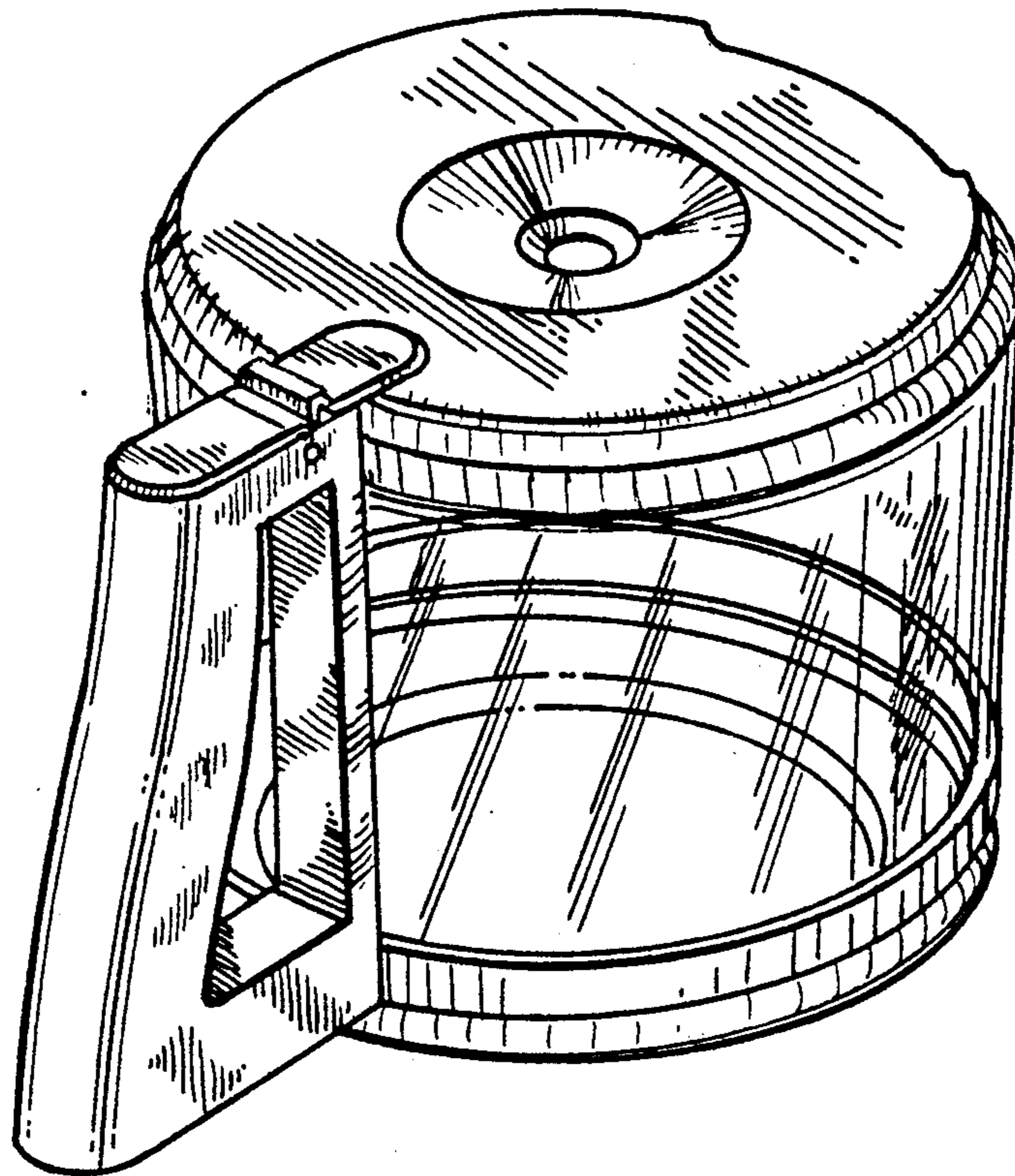


FIG.1

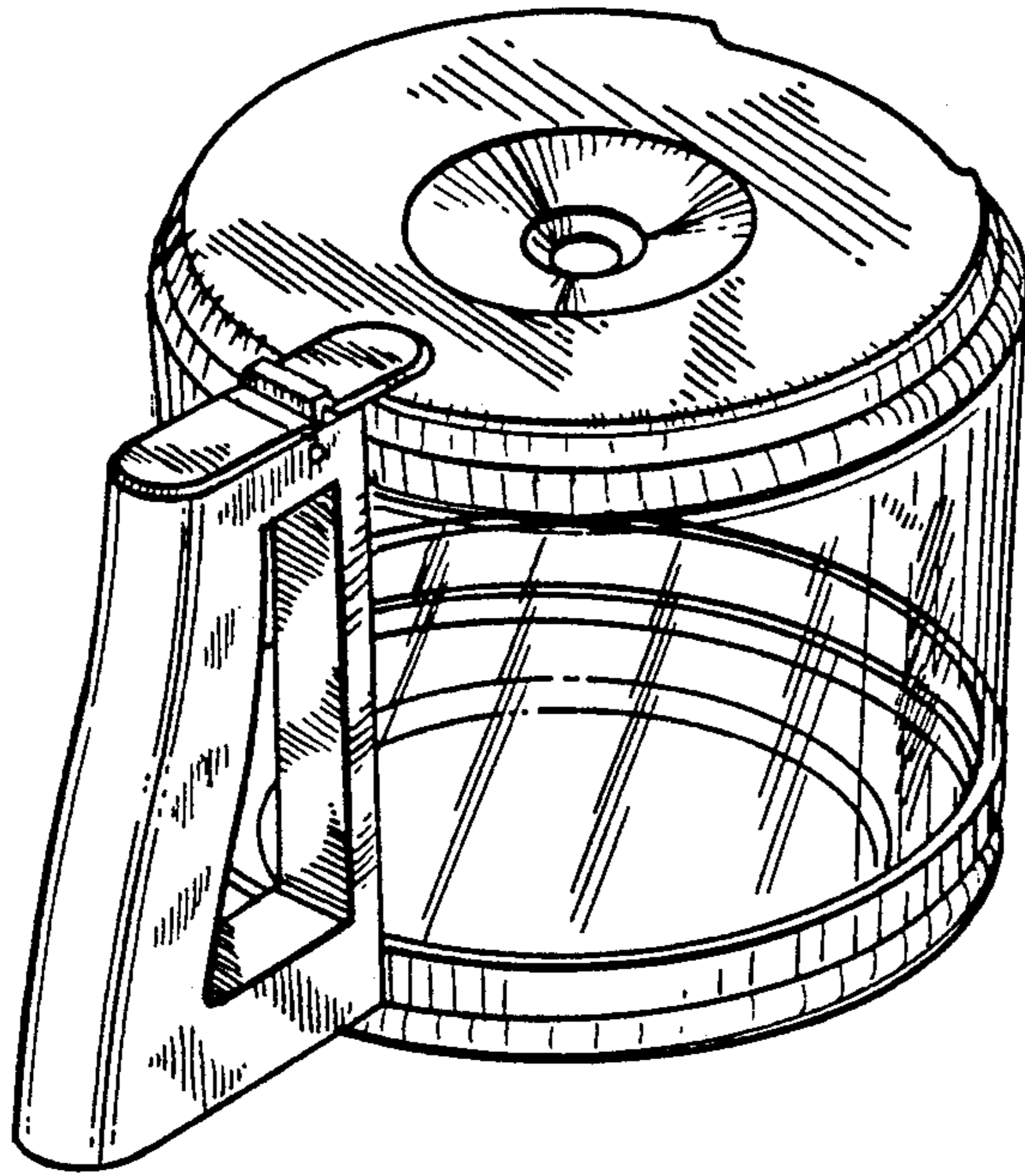


FIG.2

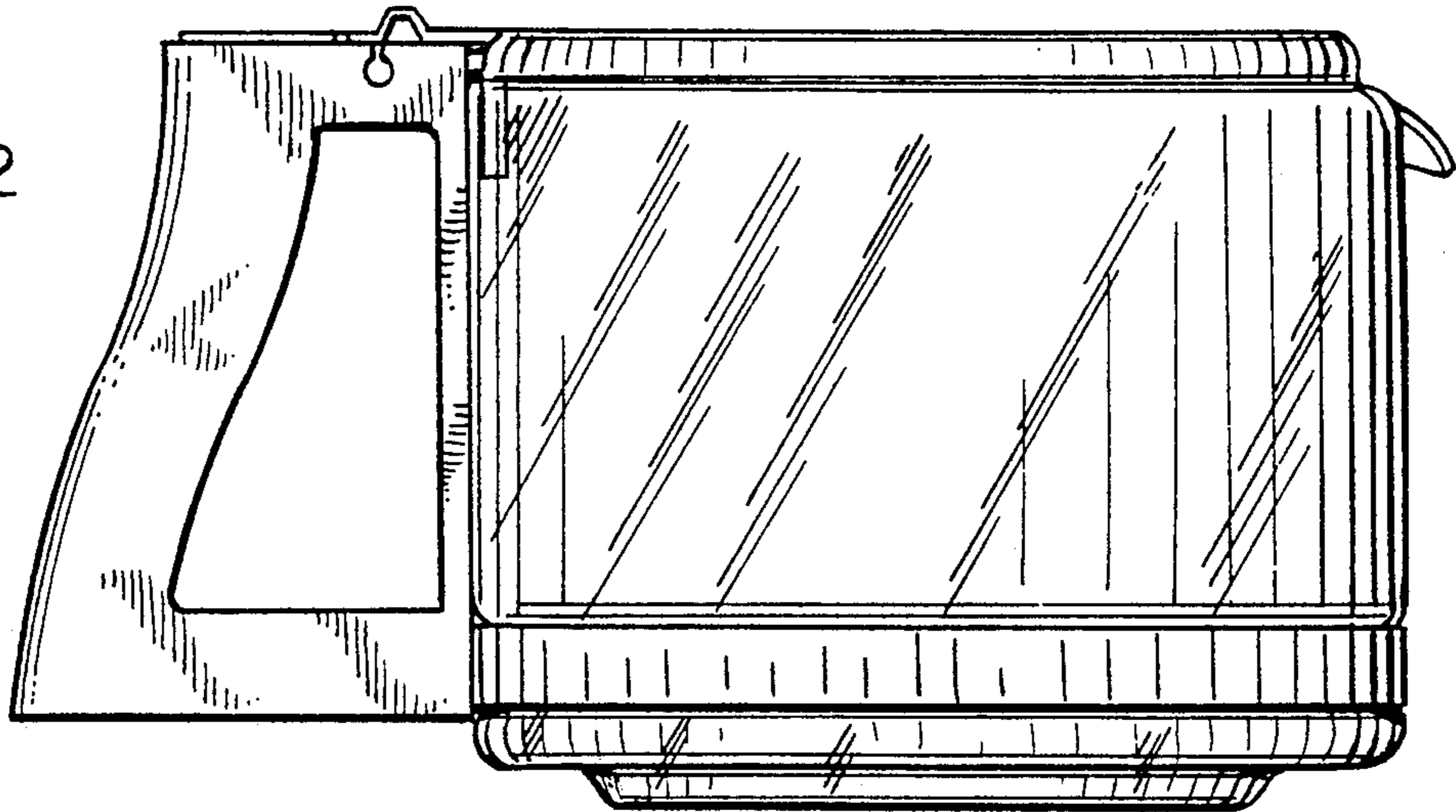


FIG.3

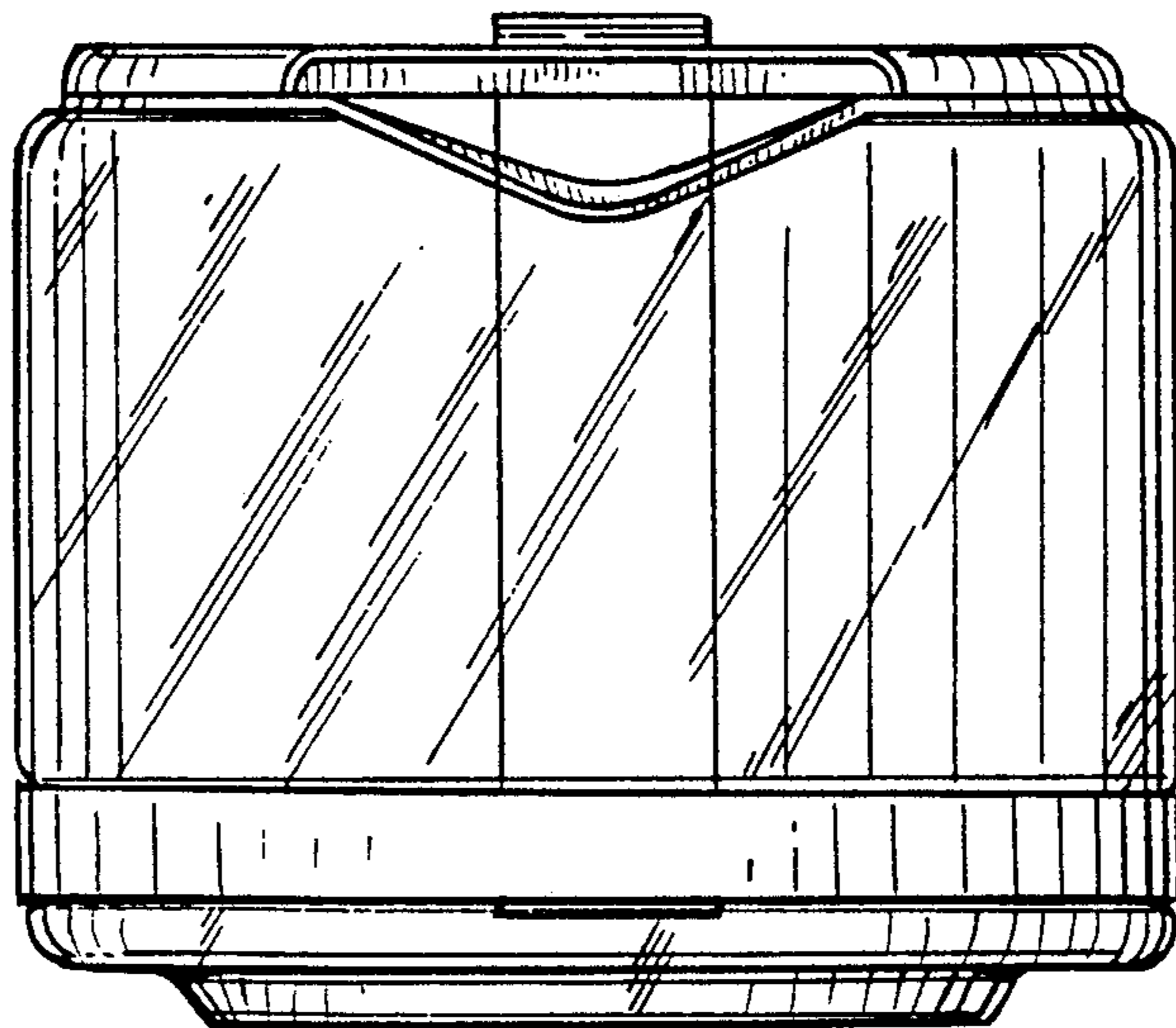


FIG. 4

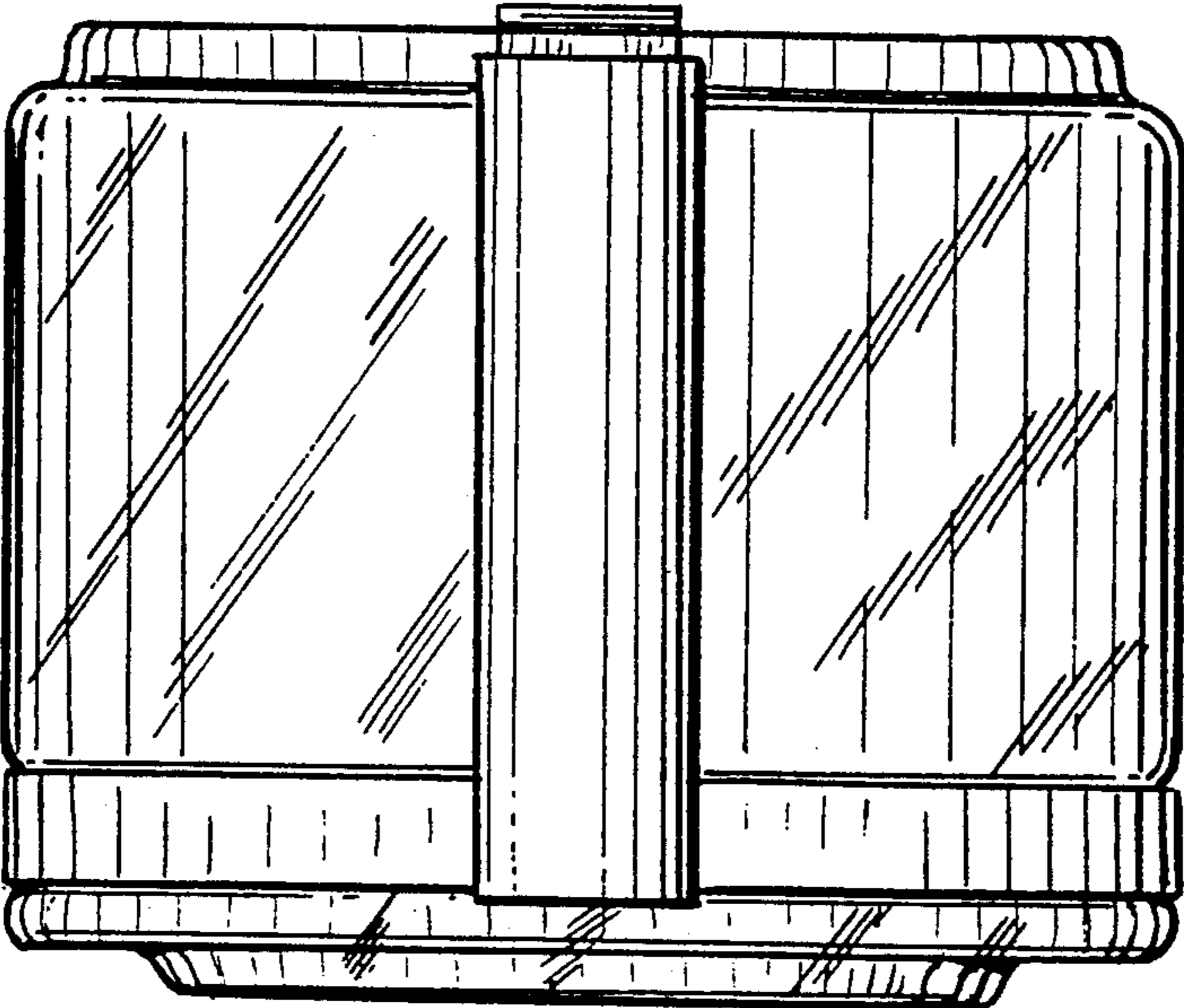


FIG. 5

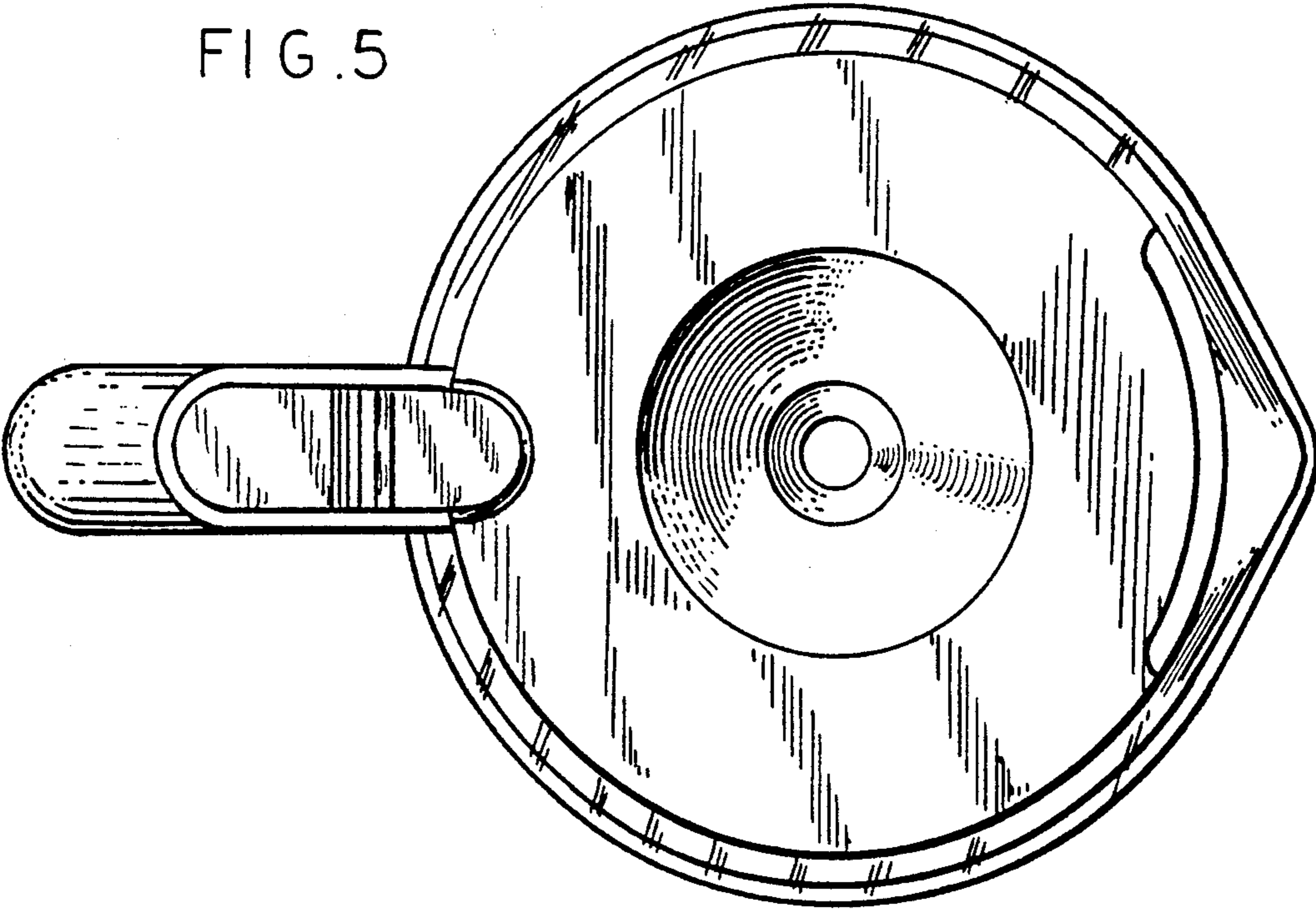


FIG.6

