



US00D339711S

United States Patent [19]

[11] Patent Number: **Des. 339,711**

Precht et al.

[45] Date of Patent: **** Sep. 28, 1993**

[54] **COMBINED COFFEE MAKING MACHINE AND COFFEE GRINDER**

[56] **References Cited**

U.S. PATENT DOCUMENTS

D. 292,258	10/1987	Diefenbach	D7/311
D. 298,402	11/1988	Seiffert	D7/311
D. 300,295	3/1989	Cortese	D7/373 X
D. 326,386	5/1992	Rokocy et al.	D7/300 X
D. 331,522	12/1992	Littmann	D7/311 X
4,632,024	12/1986	Cortese	97/300 X
4,951,556	8/1990	Ng	D7/309 X

[75] Inventors: **Hans-Jürgen Precht, Solingen; Elmar Schüller, Wuppertal, both of Fed. Rep. of Germany**

Primary Examiner—Alan P. Douglas
Assistant Examiner—M. N. Pandozzi
Attorney, Agent, or Firm—Peter K. Kontler

[73] Assignee: **Robert Krups GmbH. & Co. KG., Solingen, Fed. Rep. of Germany**

[**] Term: **14 Years**

[57] CLAIM

[21] Appl. No.: **626,687**

The ornamental design for a combined coffee making machine and coffee grinder, as shown and described.

[22] Filed: **Dec. 12, 1990**

DESCRIPTION

[30] Foreign Application Priority Data

Jul. 7, 1990 [DE] Fed. Rep. of Germany 9004473

[52] U.S. Cl. **D7/305; D7/309; D7/310; D7/311; D7/373**

[58] Field of Search **D7/305, 309, 310, 311, D7/300, 313, 322, 373; 97/272, 277, 275, 300, 306**

FIG. 1 is a top, front, left side perspective view of a combined coffee making machine and coffee grinder showing our new design;

FIG. 2 is a front elevational view thereof;

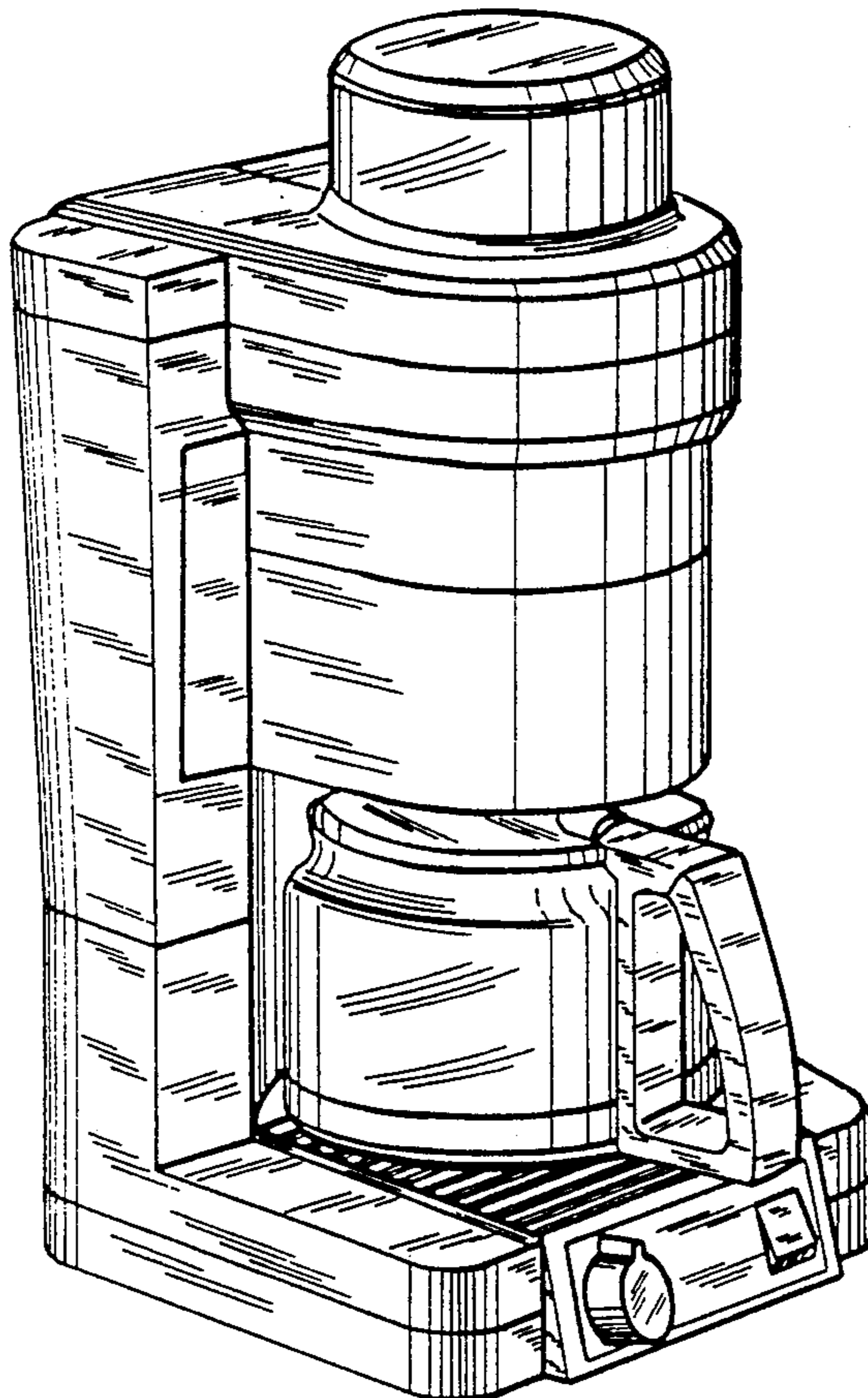
FIG. 3 is a bottom plan view thereof;

FIG. 4 is a left side elevational view thereof;

FIG. 5 is a right side elevational view thereof;

FIG. 6 is a bottom plan view thereof; and,

FIG. 7 is a top plan view thereof.



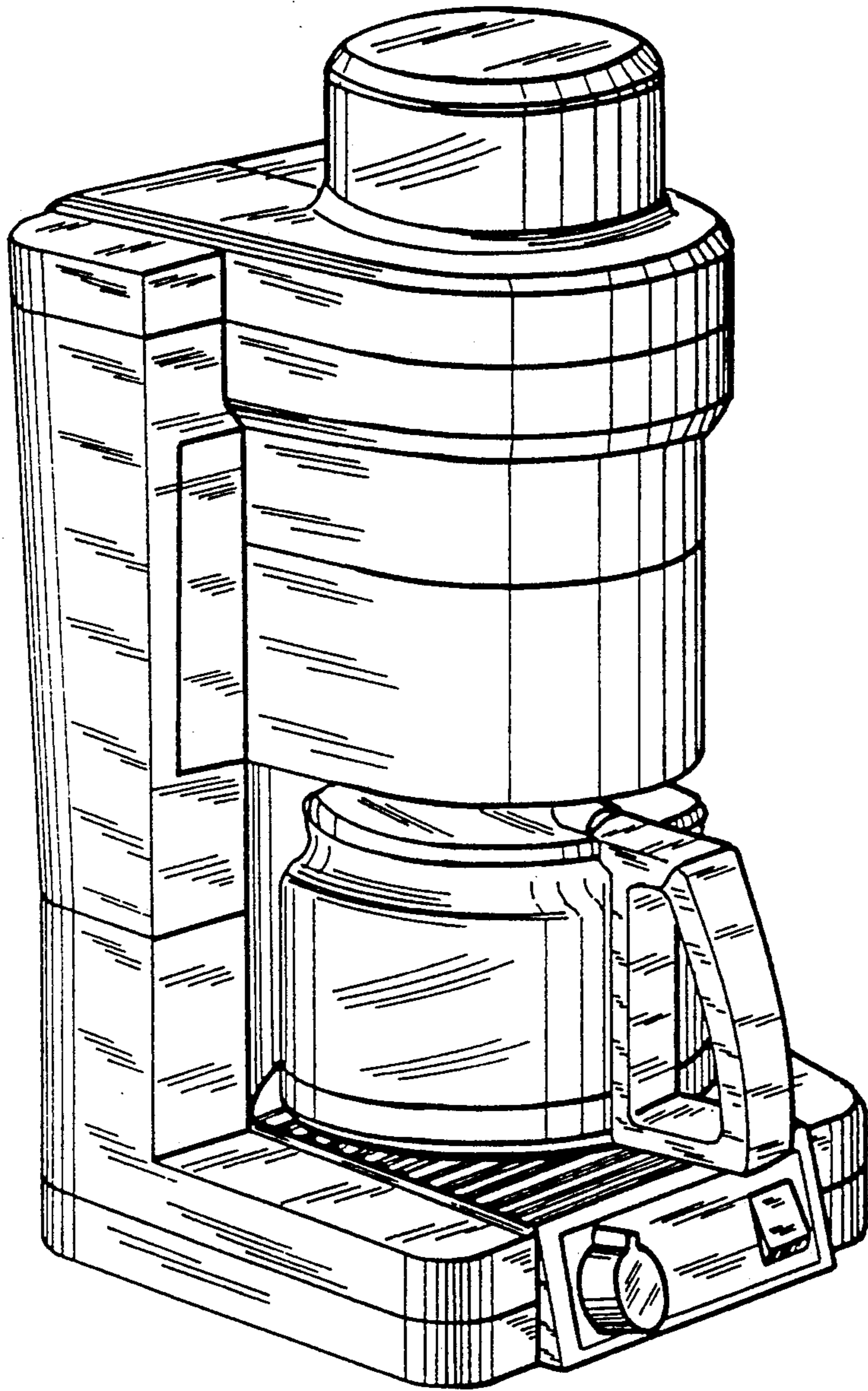


FIG.1

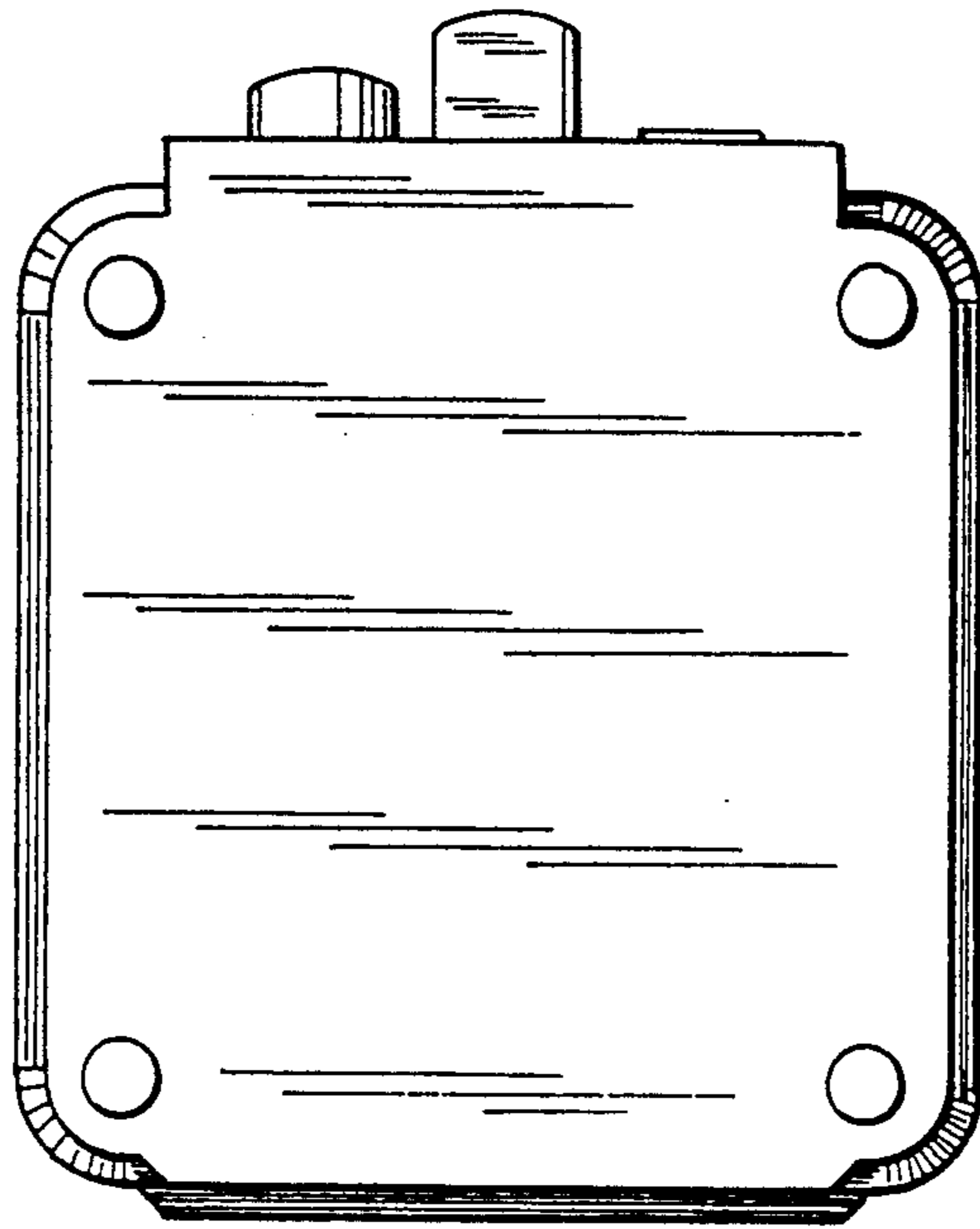


FIG. 3

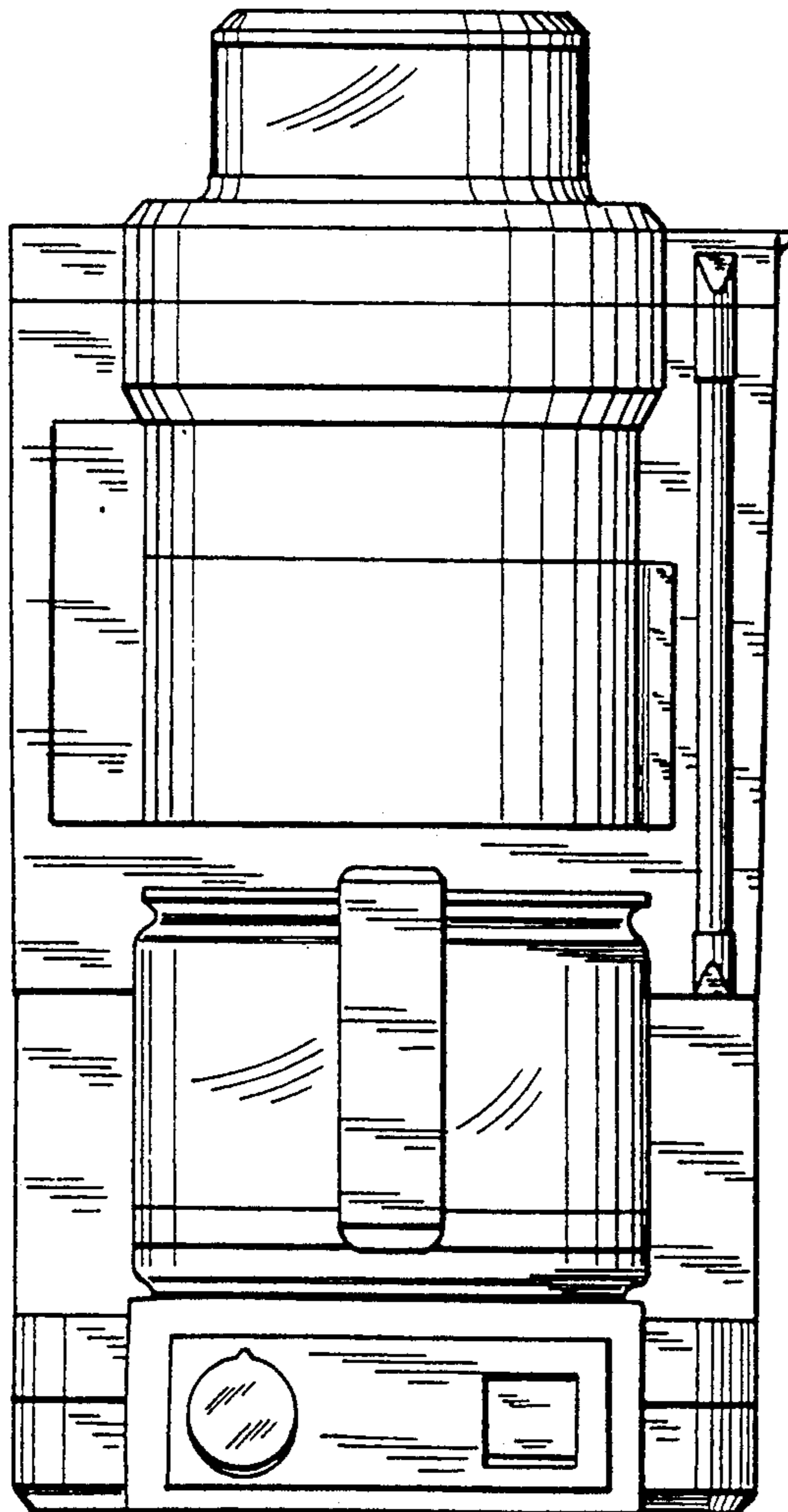


FIG. 2

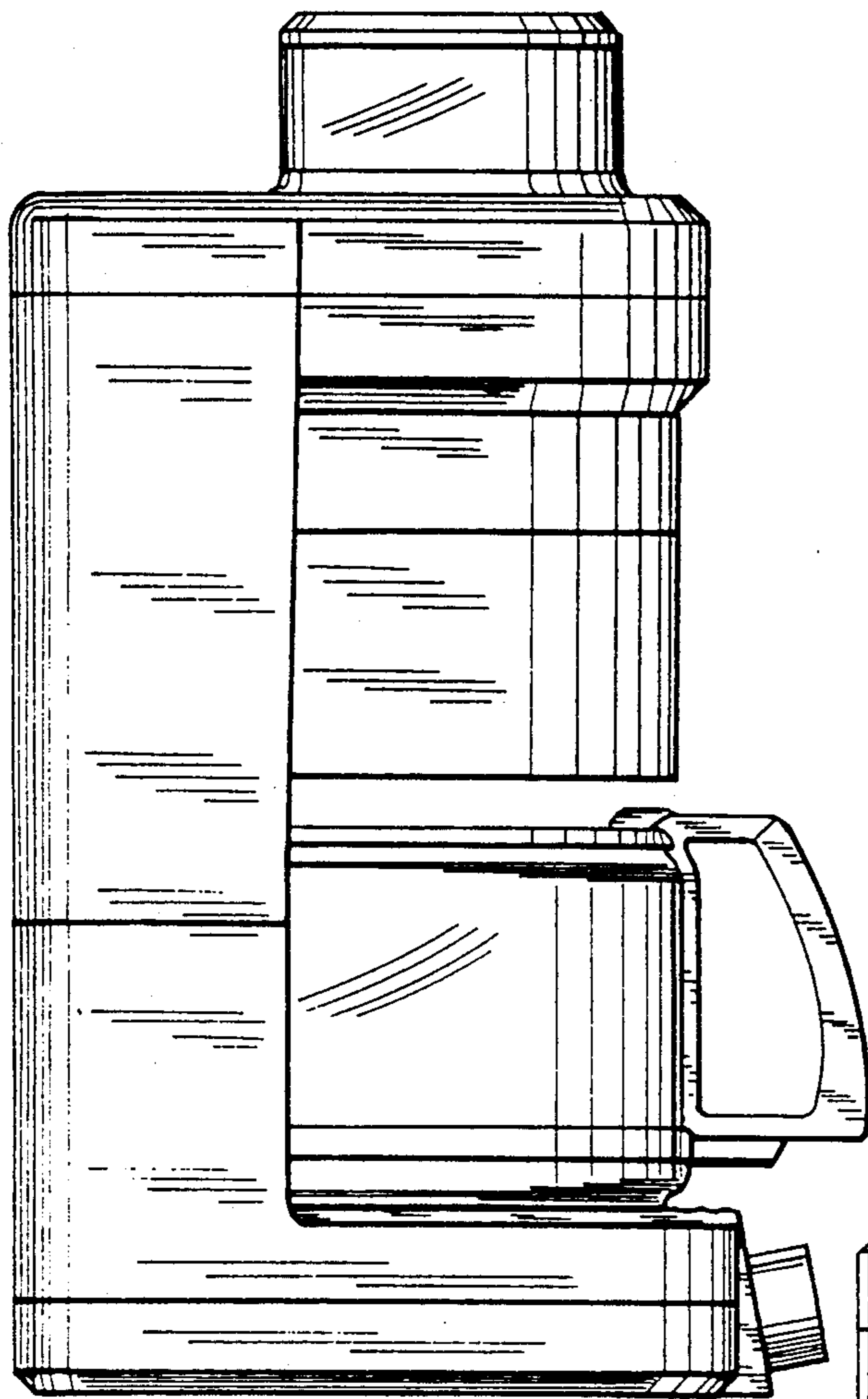


FIG.4

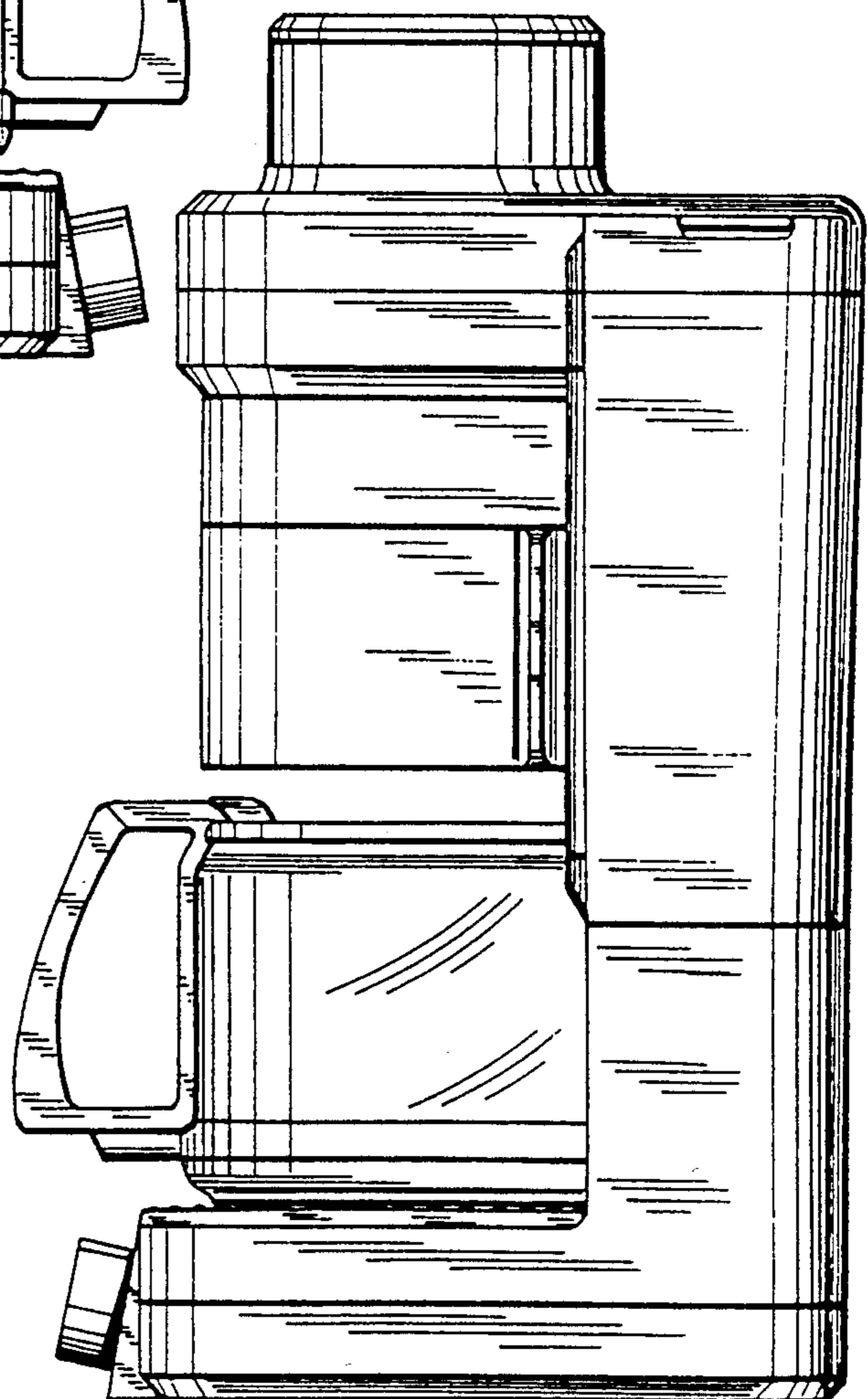


FIG.5

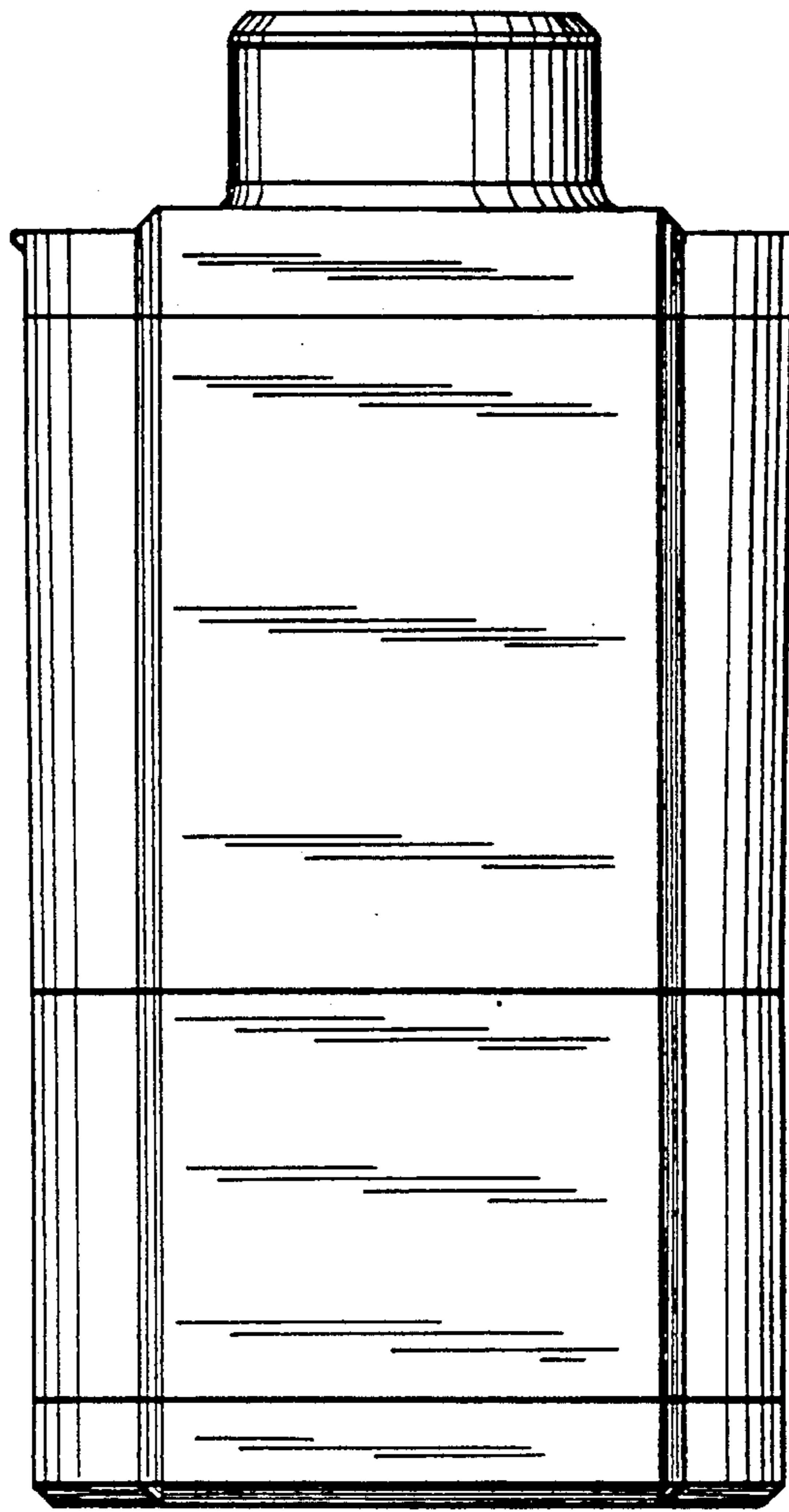


FIG. 6

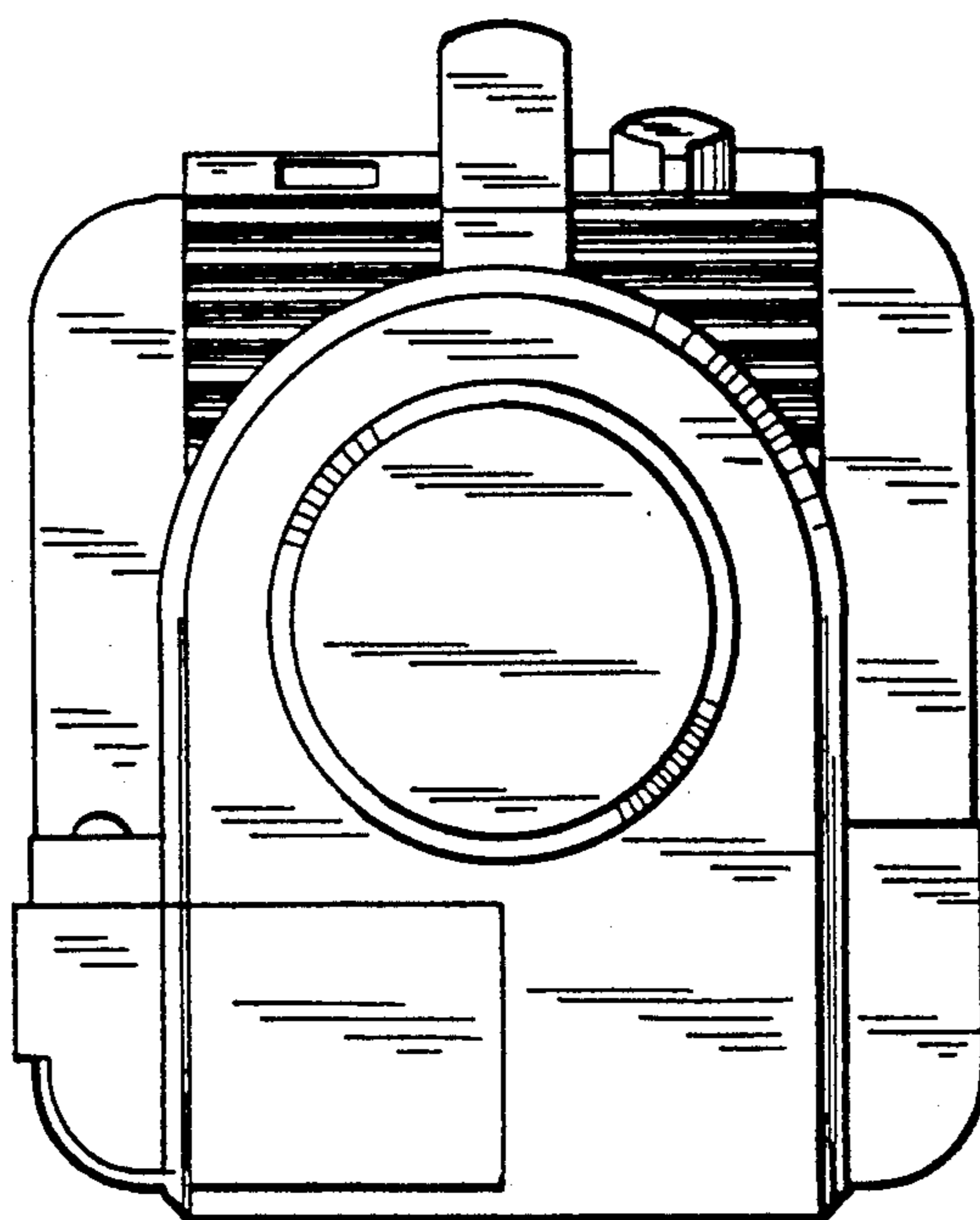


FIG. 7