



US00D339702S

United States Patent [19]

HersHKovitz

[11] Patent Number: **Des. 339,702**

[45] Date of Patent: **** Sep. 28, 1993**

[54] SAFETY PANEL FOR ATTACHMENT TO A BED

2,904,799	9/1959	Berlin	D6/391 X
2,991,487	7/1961	Beckwell	5/426
4,724,559	2/1988	Bly et al.	5/425

[75] Inventor: **Israel HersHKovitz, Raanana, Israel**

[73] Assignee: **L. M. Lipski Ltd., Israel, Israel**

[**] Term: **14 Years**

[21] Appl. No.: **427,314**

[22] Filed: **Oct. 25, 1989**

[30] Foreign Application Priority Data

May 23, 1989 [IL] Israel 15024

[52] U.S. Cl. **D6/503; D6/491**

[58] Field of Search **D6/382-395, D6/503, 505-508; 5/425, 426, 428**

[56] References Cited

U.S. PATENT DOCUMENTS

D. 226,364	2/1973	Thomas	D6/503
D. 226,419	3/1973	Thomas	D6/503
D. 226,513	3/1973	Thomas	D6/503
D. 295,595	5/1988	Lipski	D6/505
D. 317,098	5/1991	Shuler	D6/503

FOREIGN PATENT DOCUMENTS

622912 6/1961 Canada 5/826

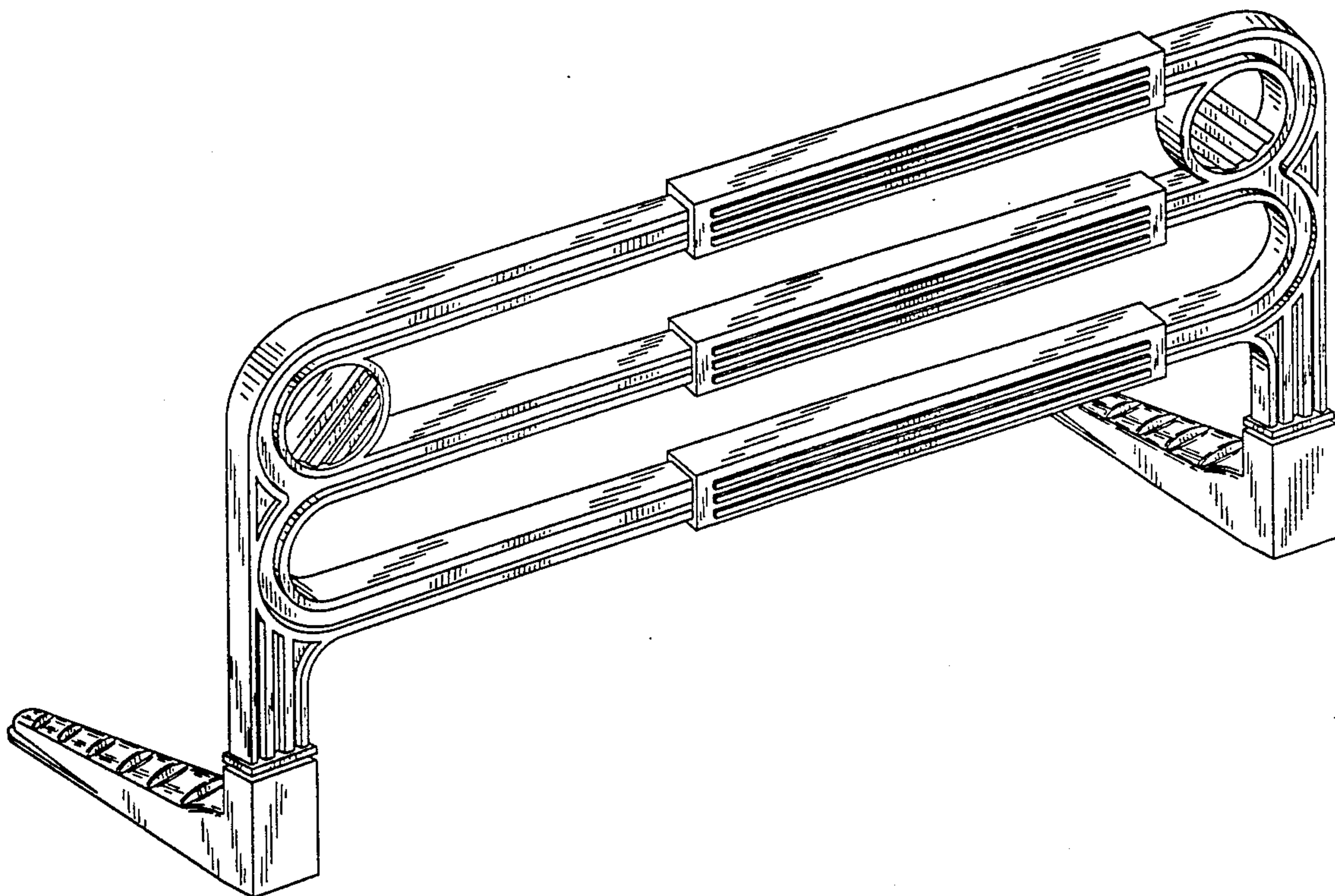
Primary Examiner—Douglas Alan P.
Assistant Examiner—J. E. Seeger
Attorney, Agent, or Firm—Klarquist, Sparkman, Campbell, Leigh & Whinston

[57] CLAIM

The ornamental design for a safety panel for attachment to a bed, as shown and described.

DESCRIPTION

FIG. 1 is a perspective view of a safety panel for attachment to a bed, showing my new design;
FIG. 2 is a top plan view thereof;
FIG. 3 is a right side, elevational view, the left side being substantially a mirror image thereof;
FIG. 4 is a front elevational view thereof;
FIG. 5 is a rear elevational view thereof; and,
FIG. 6 is a bottom elevational view thereof.



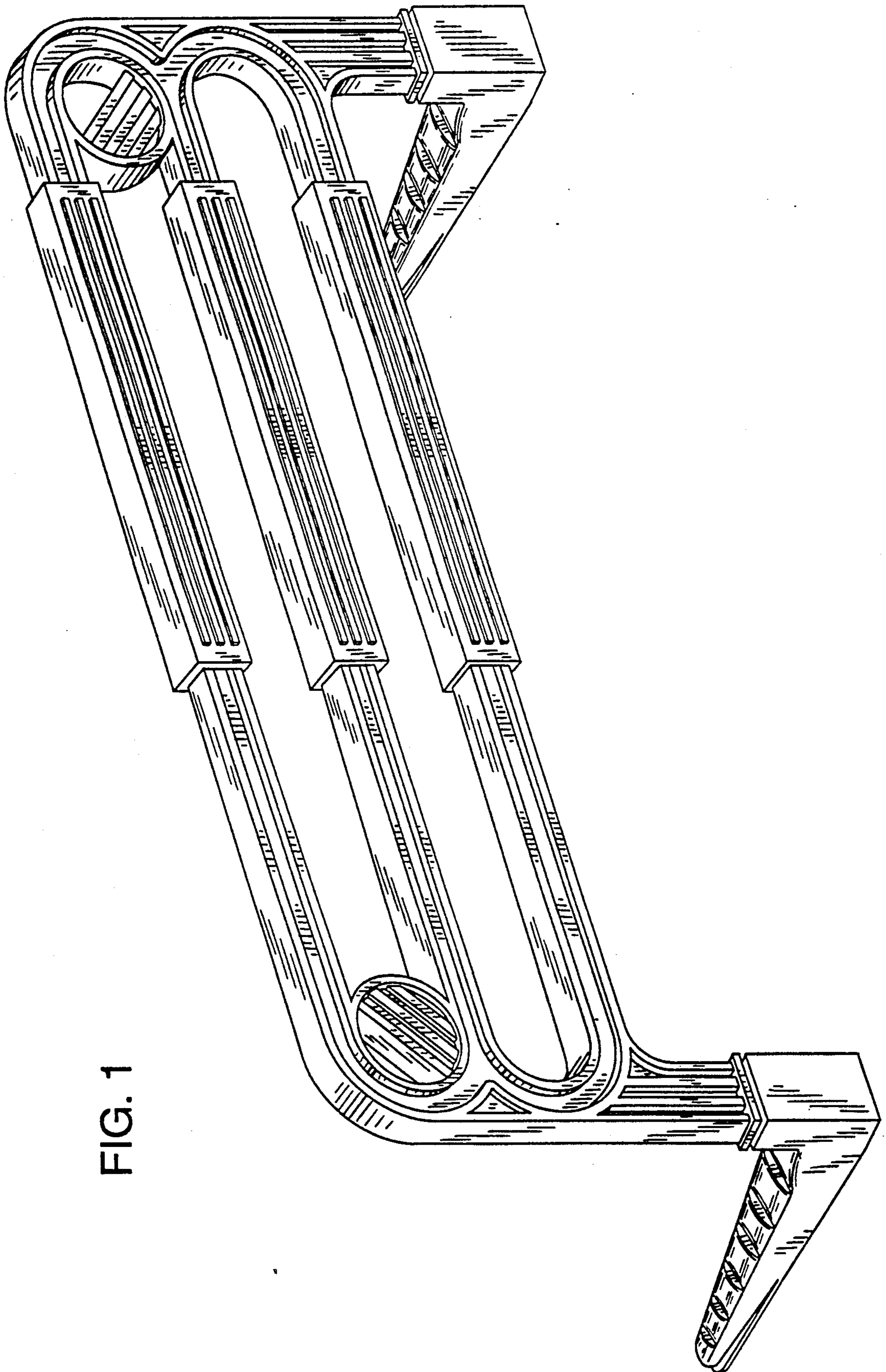


FIG. 1

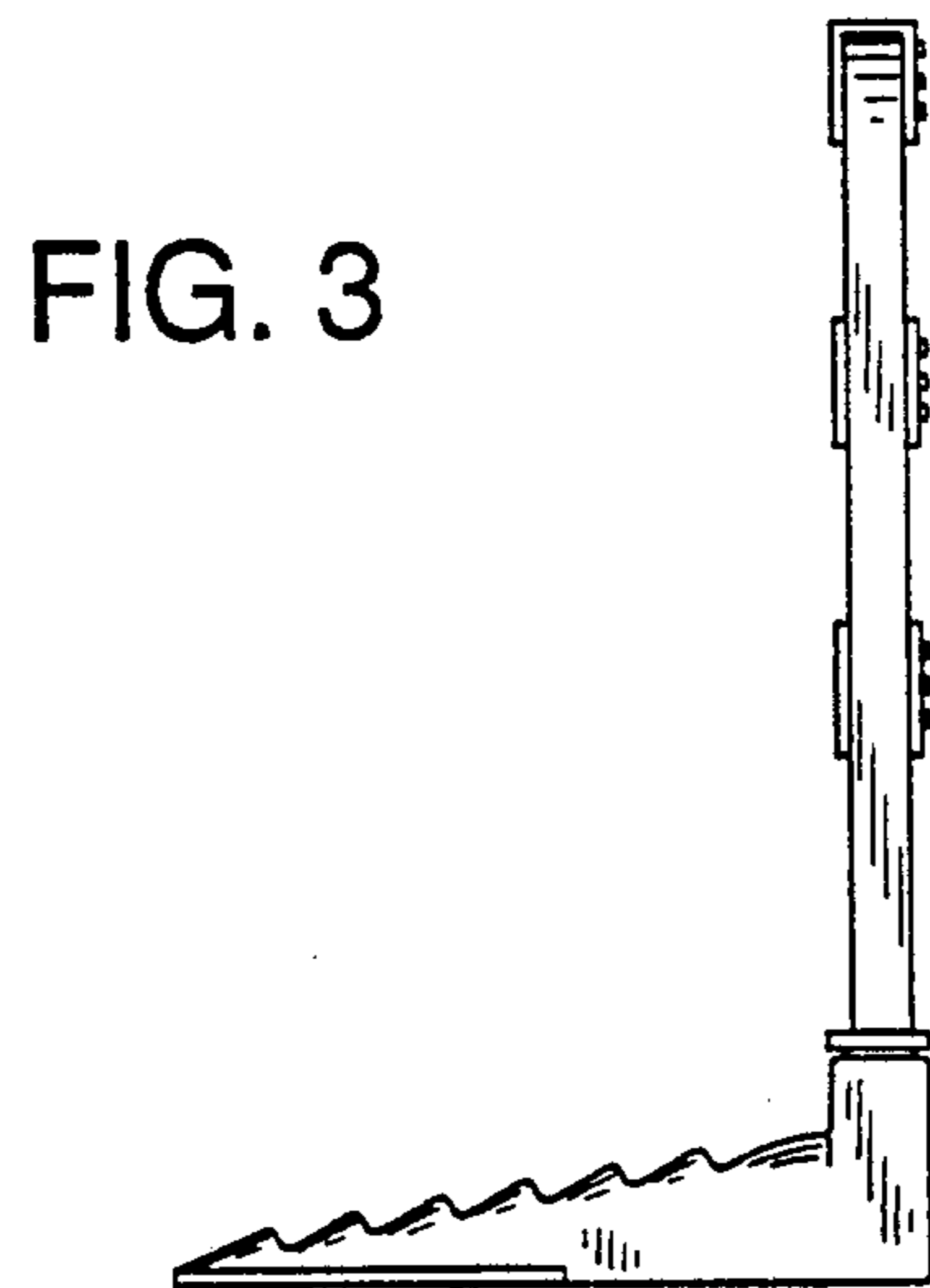
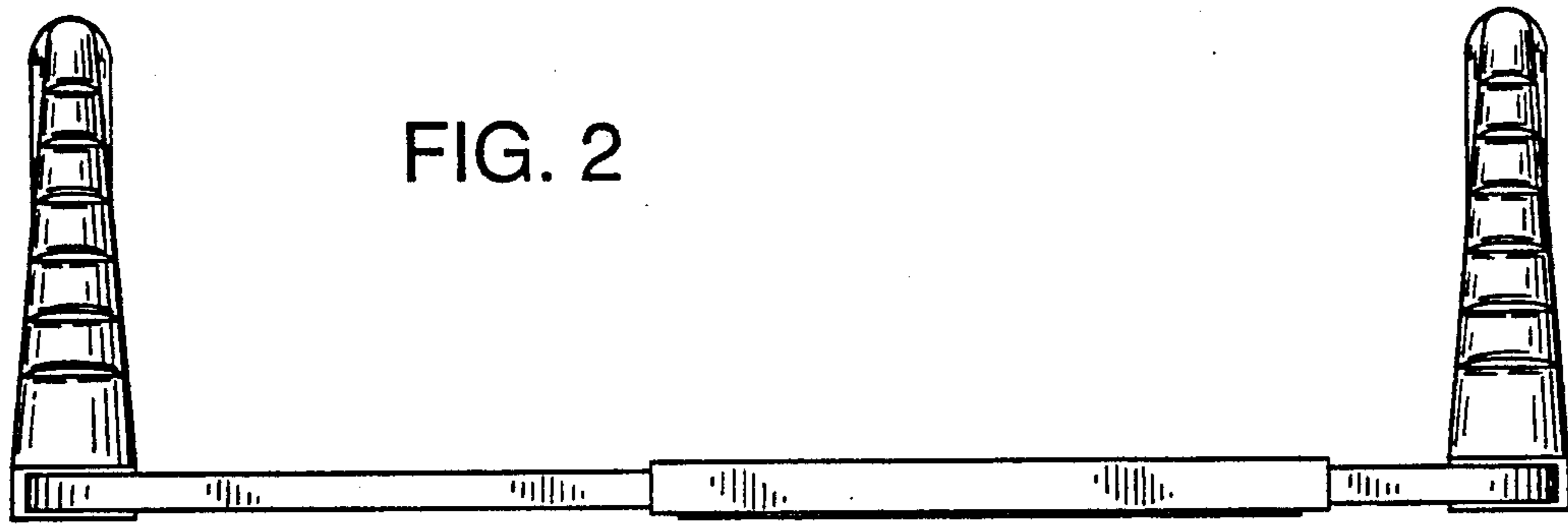


FIG. 4

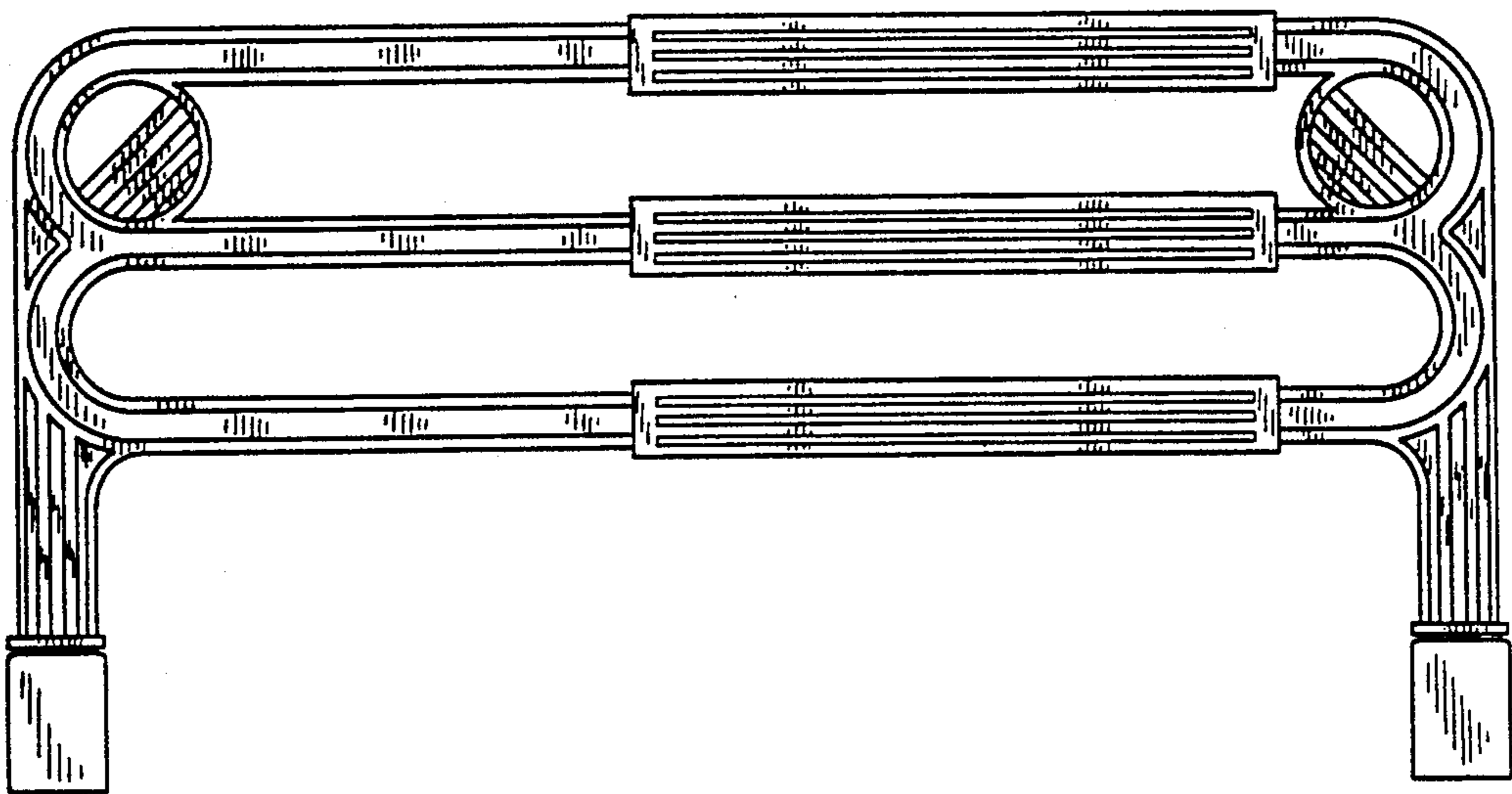


FIG. 5

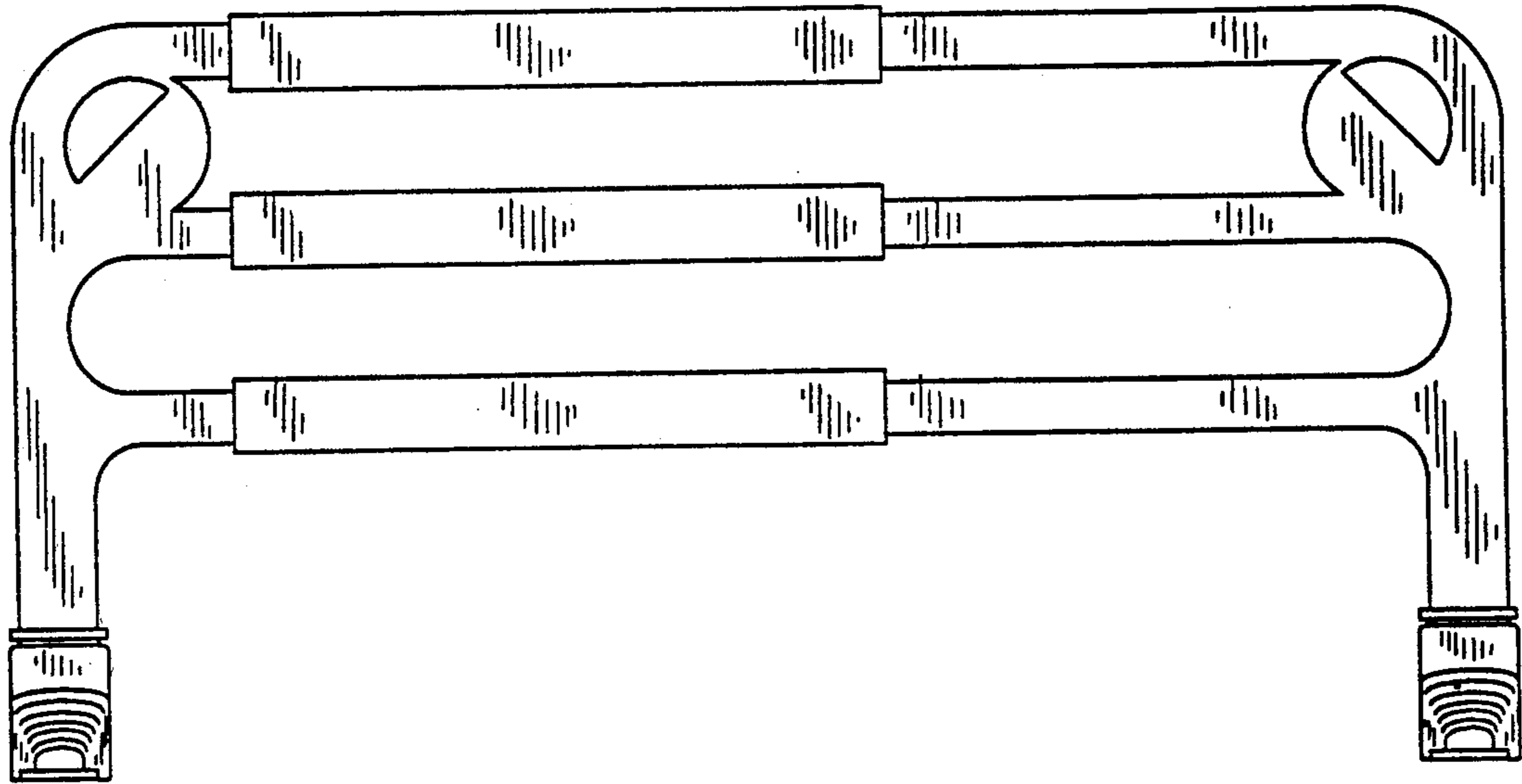


FIG. 6

