



US00D339701S

United States Patent [19]

[11] Patent Number: **Des. 339,701**

Martin

[45] Date of Patent: **** Sep. 28, 1993**

[54] **COCKTAIL TABLE**

D. 332,192 1/1993 Lewis D6/484
D. 332,362 1/1993 Lewis D6/480

[75] Inventor: **Leo Martin, Coconut Grove, Fla.**

OTHER PUBLICATIONS

[73] Assignee: **Miami Metal Products, Inc., Miami, Fla.**

Fine Arts/Ralph Morse—chairside Tables, 2784GL Table at top.

[**] Term: **14 Years**

Interiors—Nov. 1988, p. 100, table at top left.

Herndon—Four Centuries, p. 6, table at top right.

[21] Appl. No.: **828,645**

Primary Examiner—Nelson C. Holtje

Assistant Examiner—J. E. Seeger

[22] Filed: **Jan. 31, 1992**

[52] U.S. Cl. **D6/484; D6/451; D6/487**

[57] **CLAIM**

[58] Field of Search **D6/480, 482-489, D6/495, 496, 498, 499, 429-431, 511; 108/152, 153, 161**

The ornamental design for a cocktail table, as shown and described.

DESCRIPTION

[56] **References Cited**

FIG. 1 is a front perspective view of the present invention;

FIG. 2 is a top plan view of the invention;

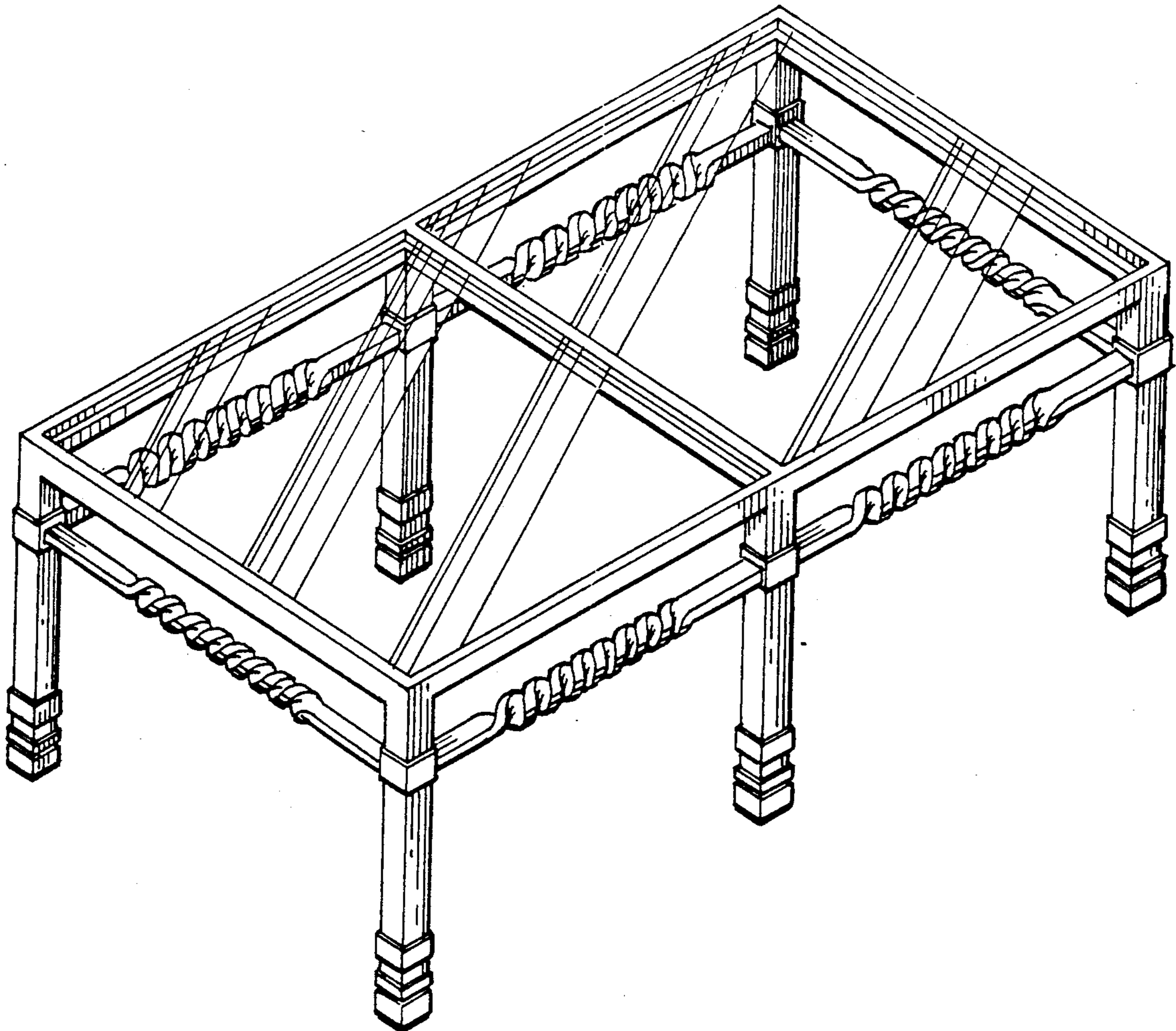
FIG. 3 is a side view of the invention;

FIG. 4 is an end view of the invention; and,

FIG. 5 is a bottom plan view of the invention.

U.S. PATENT DOCUMENTS

D. 145,941 11/1946 Kissling D6/484
D. 145,942 11/1946 Kissling D6/484 X
D. 311,468 10/1990 Marten D6/487



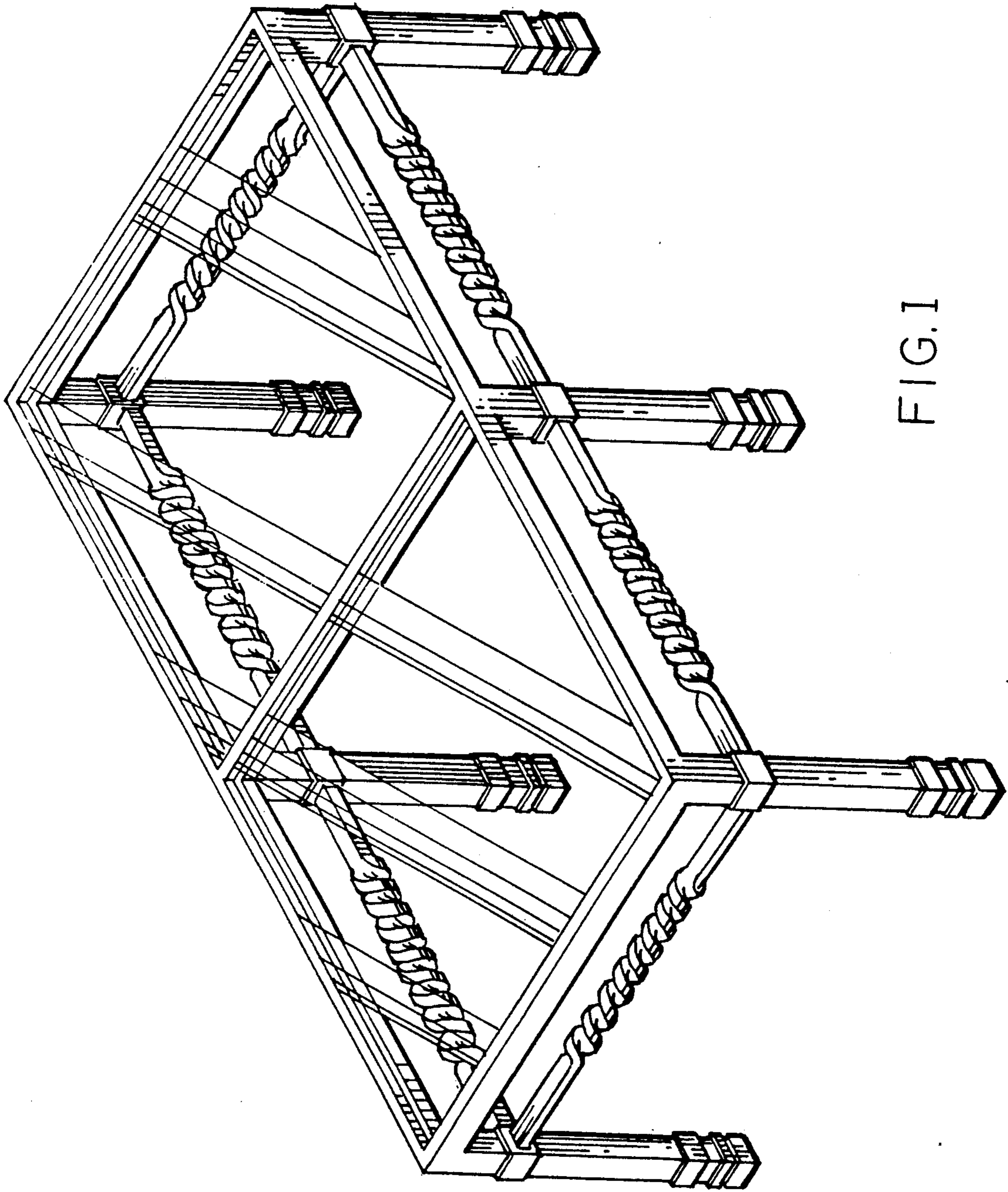


FIG. 1

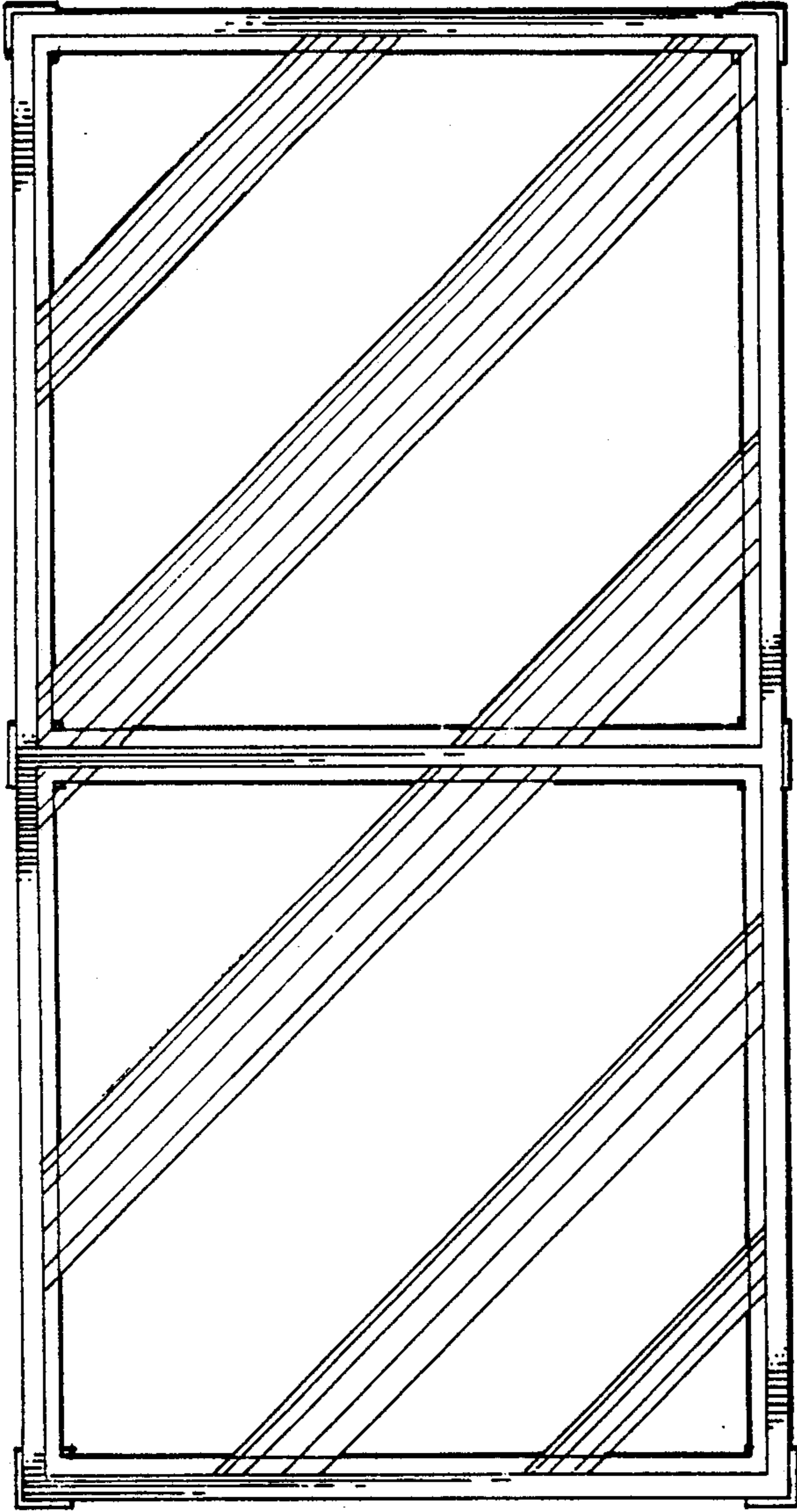


FIG. 2

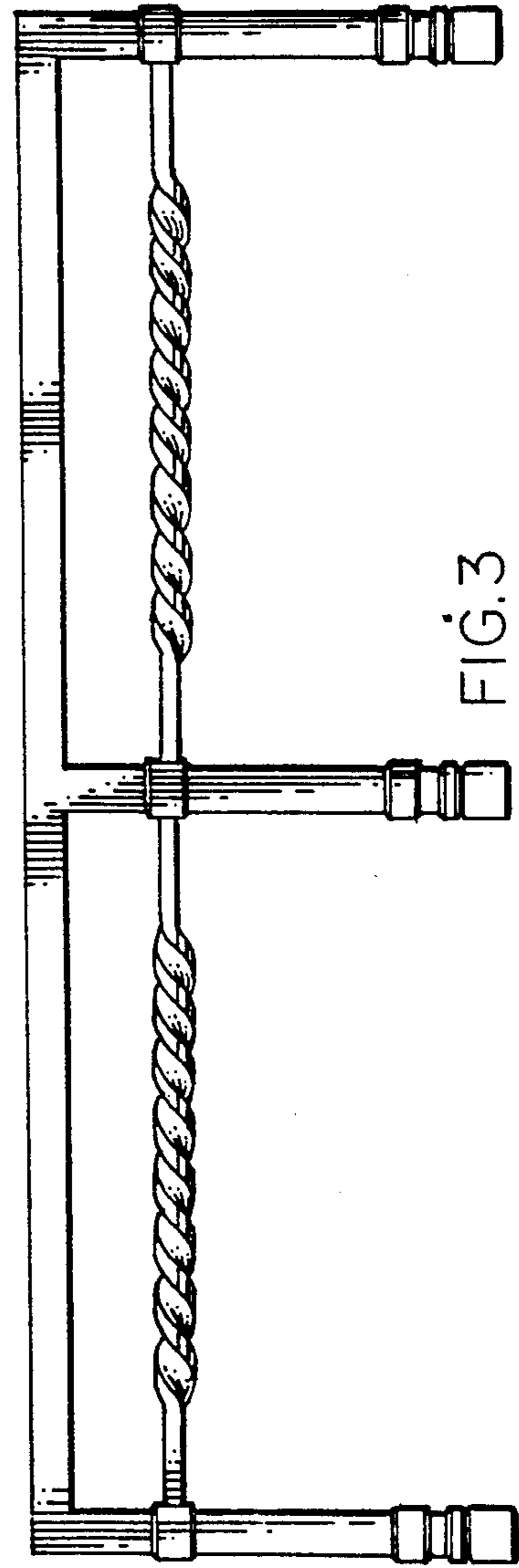


FIG. 3

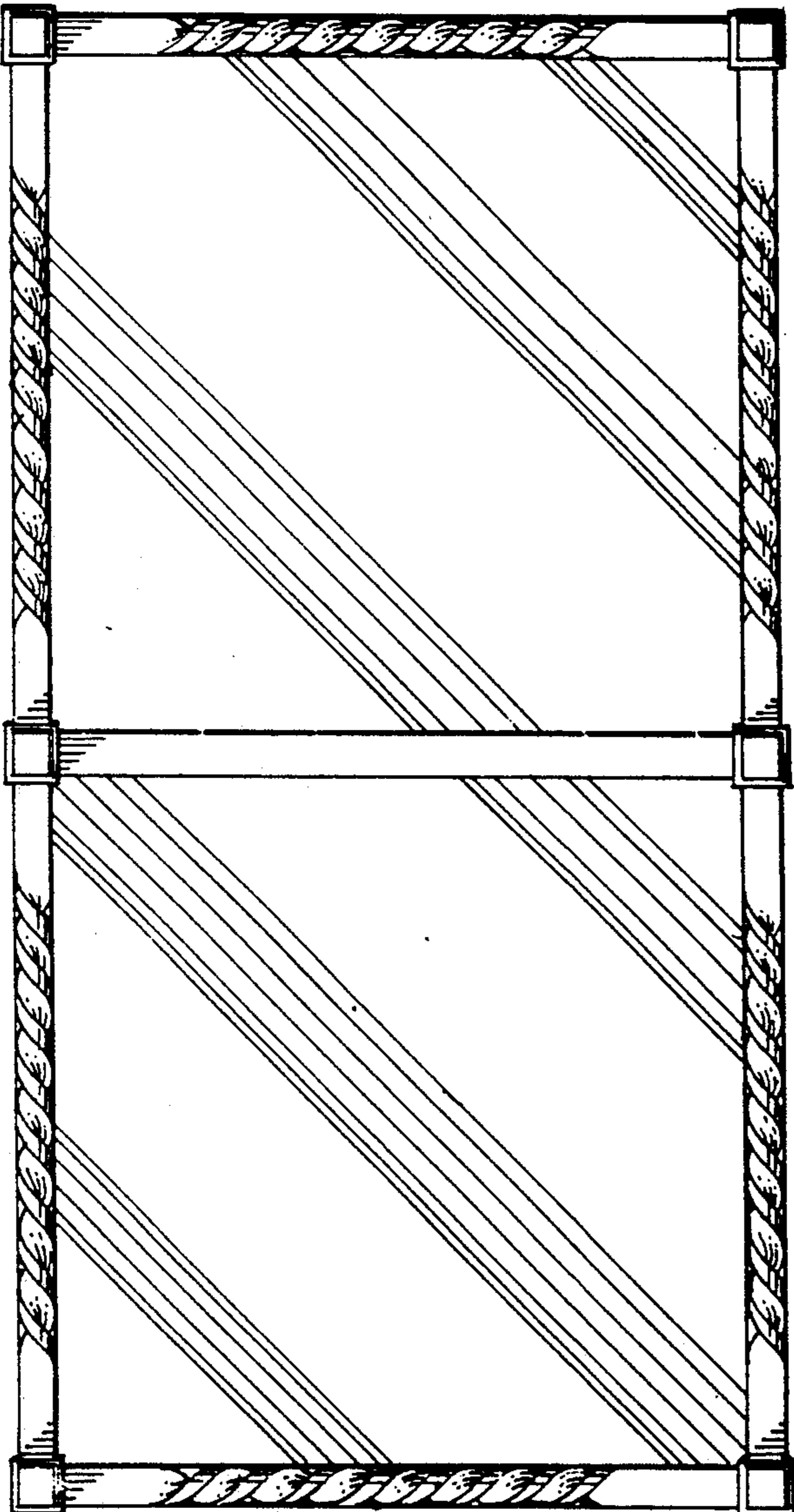


FIG. 5

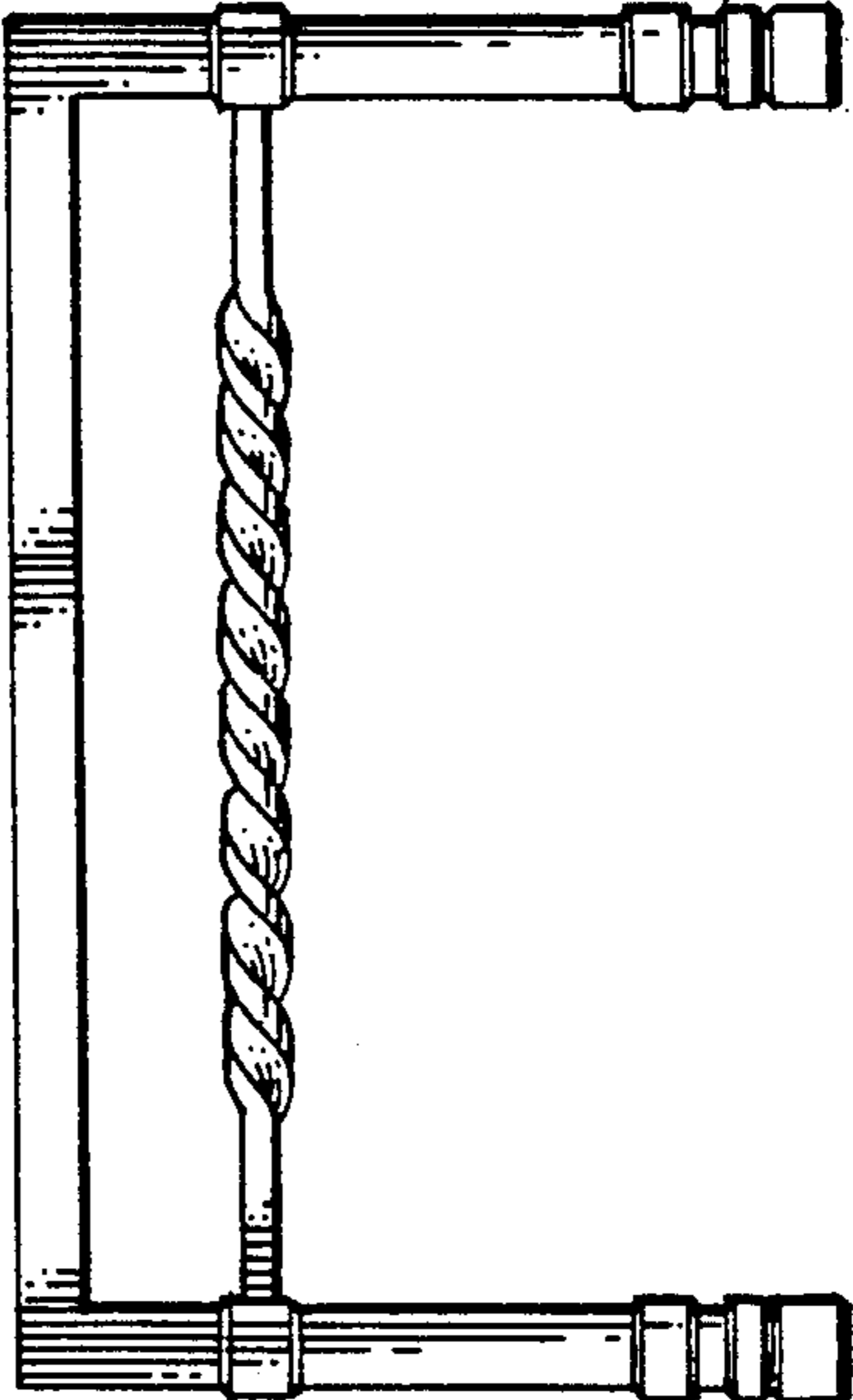


FIG. 4