



US00D339700S

United States Patent [19]

[11] Patent Number: **Des. 339,700**

Ossip

[45] Date of Patent: **** Sep. 28, 1993**

[54] MULTILEVEL SURFACE TABLE

[76] Inventor: **Kenenth B. Ossip**, 3616 Henry Hudson Pkwy., Apt. 5H South, Bronx, N.Y. 10463-1511

[*] Notice: The portion of the term of this patent subsequent to Jan. 12, 2007 has been disclaimed.

[**] Term: **14 Years**

[21] Appl. No.: **624,753**

[22] Filed: **Dec. 10, 1990**

[52] U.S. Cl. **D6/474**

[58] Field of Search D6/396, 397, 449, 455, D6/460, 461, 464, 465, 468, 473, 474, 484, 477-479, 567, 569, 570-572, 487; 108/59, 111, 106-108; 211/13, 186, 187, 189

[56] References Cited

U.S. PATENT DOCUMENTS

D. 4,477	11/1870	Grove	D6/455
D. 147,114	7/1947	Cutrow	D6/477
D. 161,627	1/1951	Haworth	D6/571
D. 169,868	6/1953	Schwartz	D6/484
D. 221,666	8/1971	Weider	D6/570
D. 282,226	1/1986	Brancitorti	D6/571 X
D. 282,328	1/1986	Brescia et al.	D6/569 X
4,122,782	10/1978	Coombs	D6/570 X

OTHER PUBLICATIONS

Carsons, table.

Primary Examiner—Nelson C. Holtje

Assistant Examiner—J. E. Seeger

[57] CLAIM

The ornamental design for a multilevel surface table, as shown and described.

DESCRIPTION

FIG. 1 is a front right perspective view of a multilevel surface table in one embodiment of the invention;

FIG. 2 is a front elevational and rear elevational view thereof;

FIG. 3 is a top plan view of the multilevel surface table of FIG. 1;

FIG. 4 is a right elevational view and a left side elevational view thereof;

FIG. 5 is a front right perspective view of a multilevel surface table in another embodiment of the invention;

FIG. 6 is a top plan view of the multilevel surface table shown in FIG. 5;

FIG. 7 is a front right perspective view of a multilevel surface table in a further embodiment of the invention; and,

FIG. 8 is a top plan view of the multilevel surface table shown in FIG. 7.

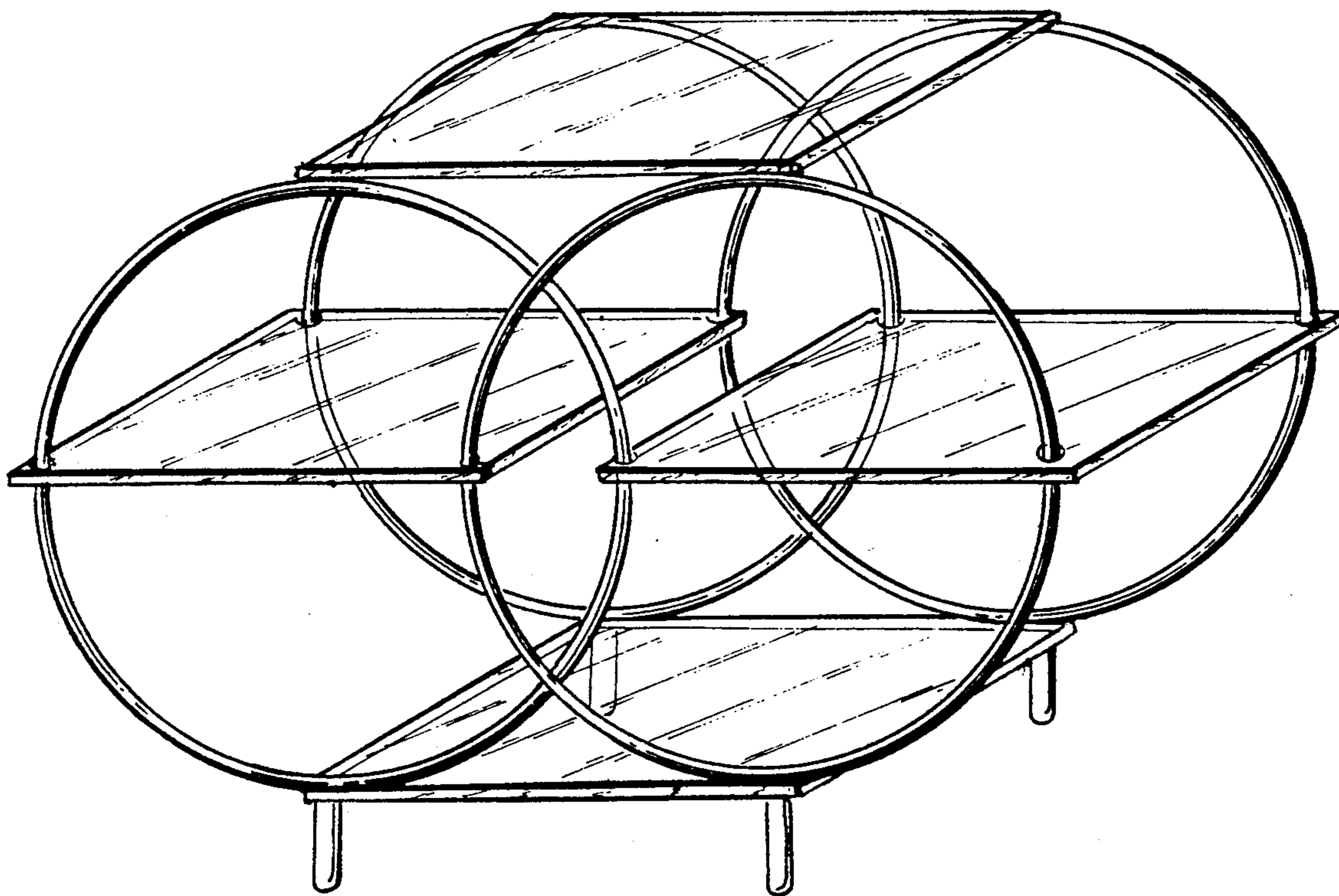


FIG. 1

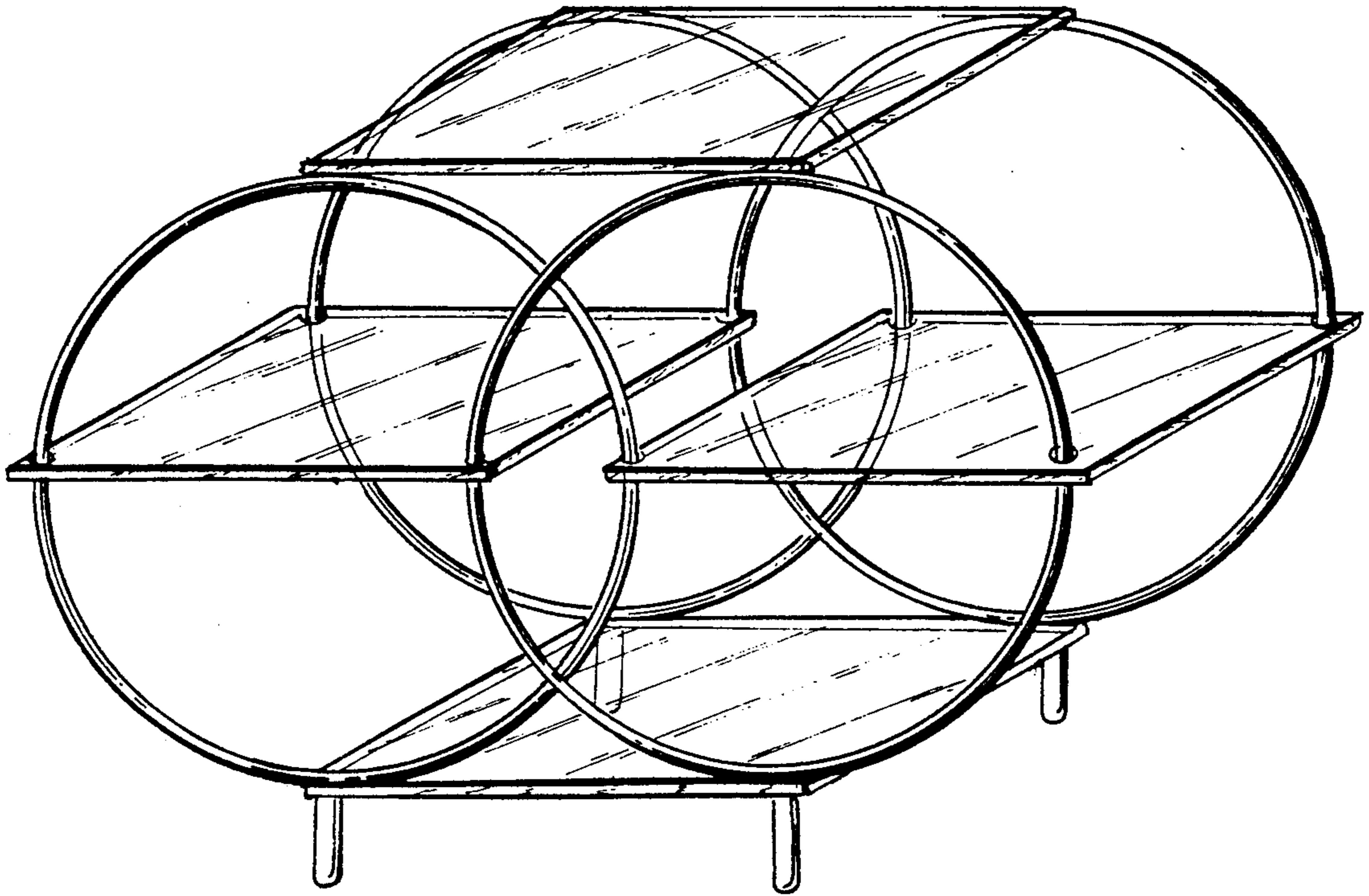


FIG. 2

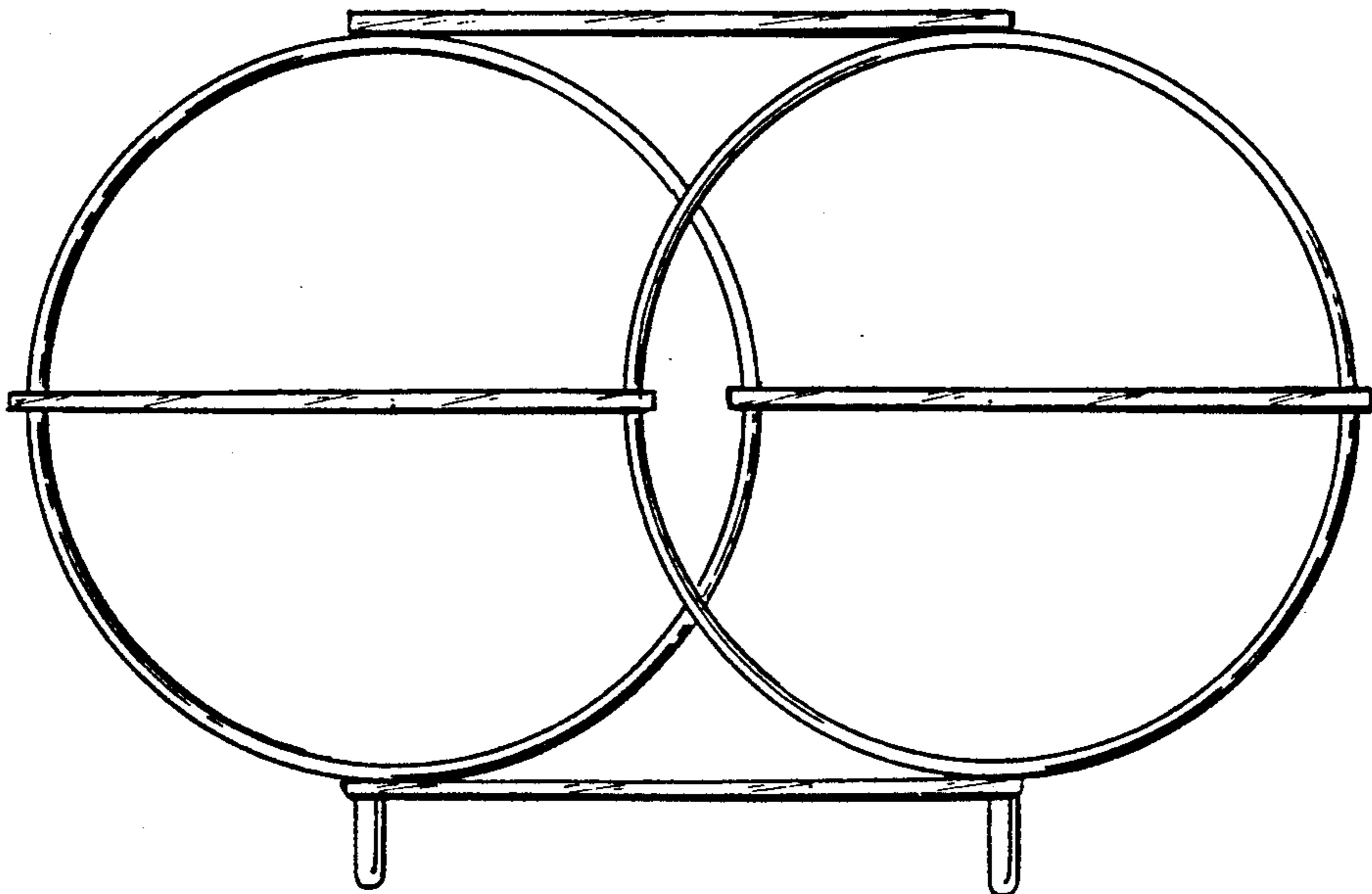


FIG. 3

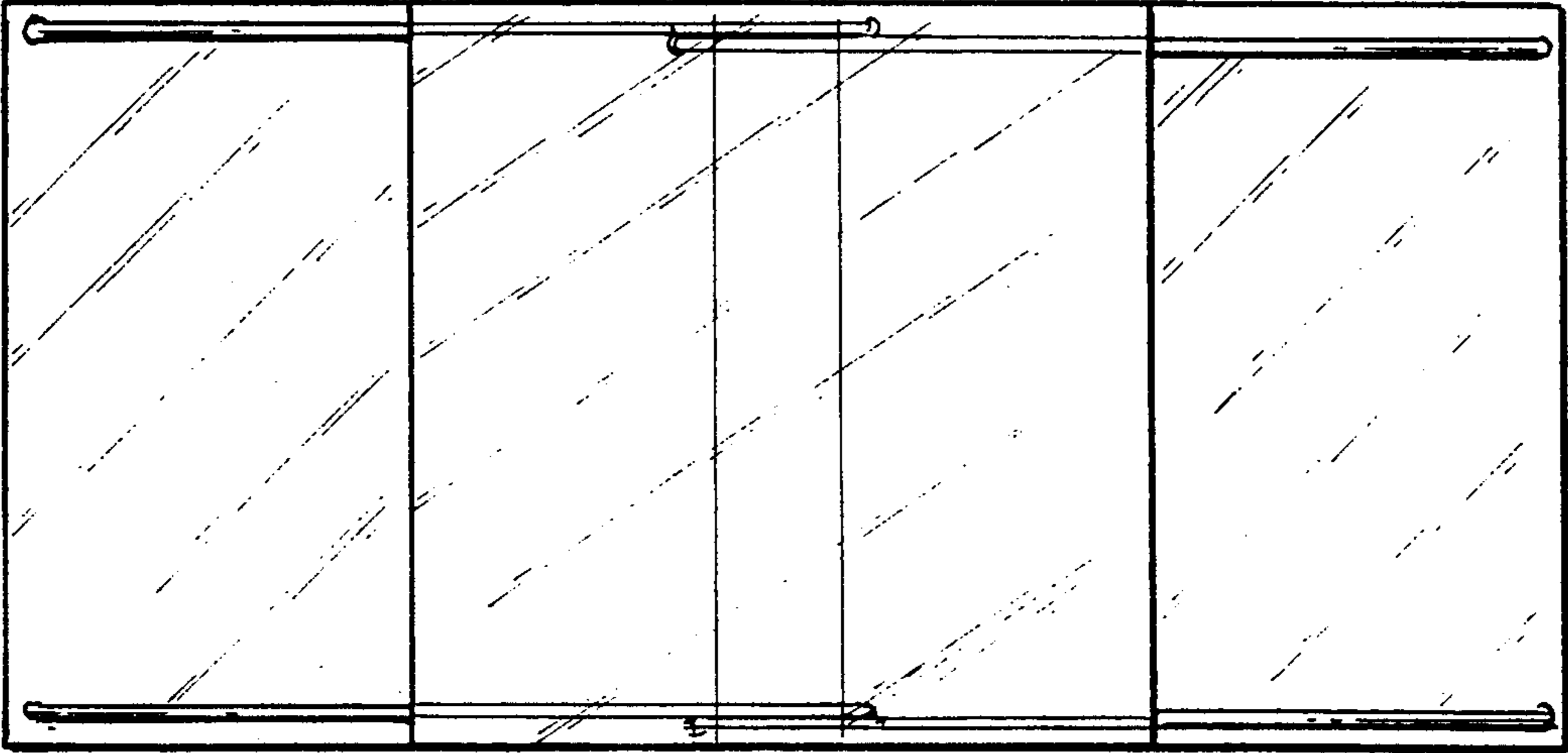


FIG. 4

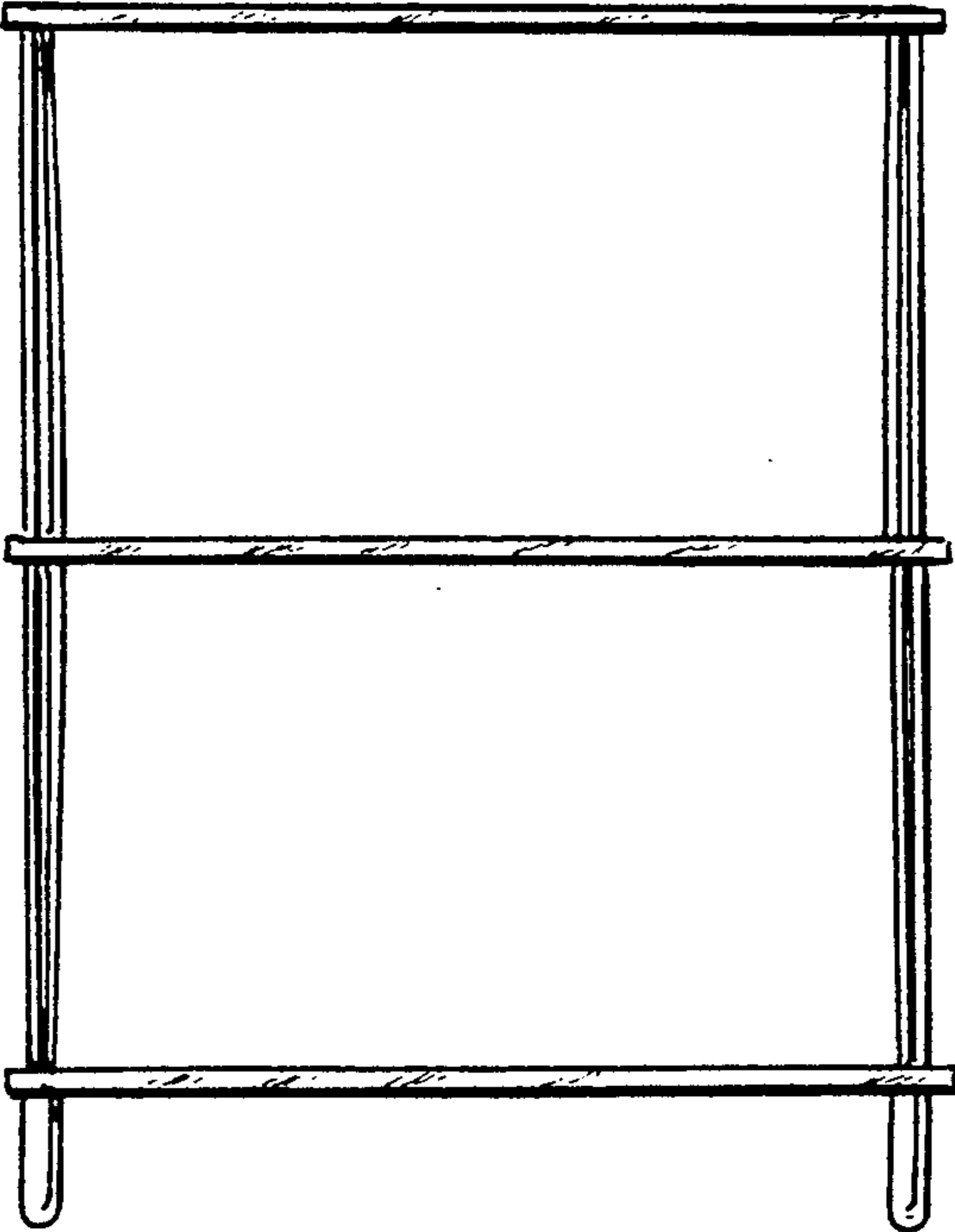


FIG. 5

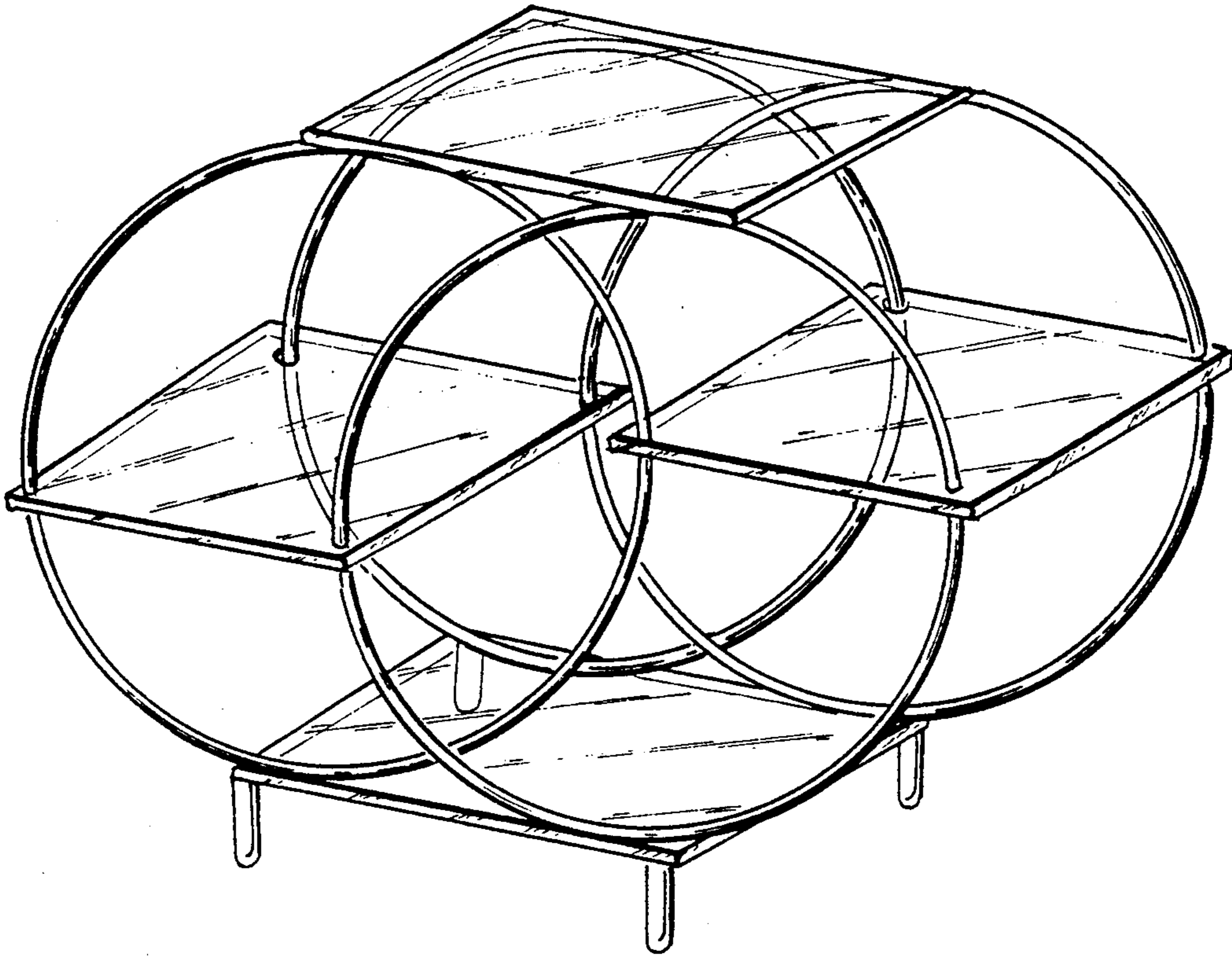


FIG. 6

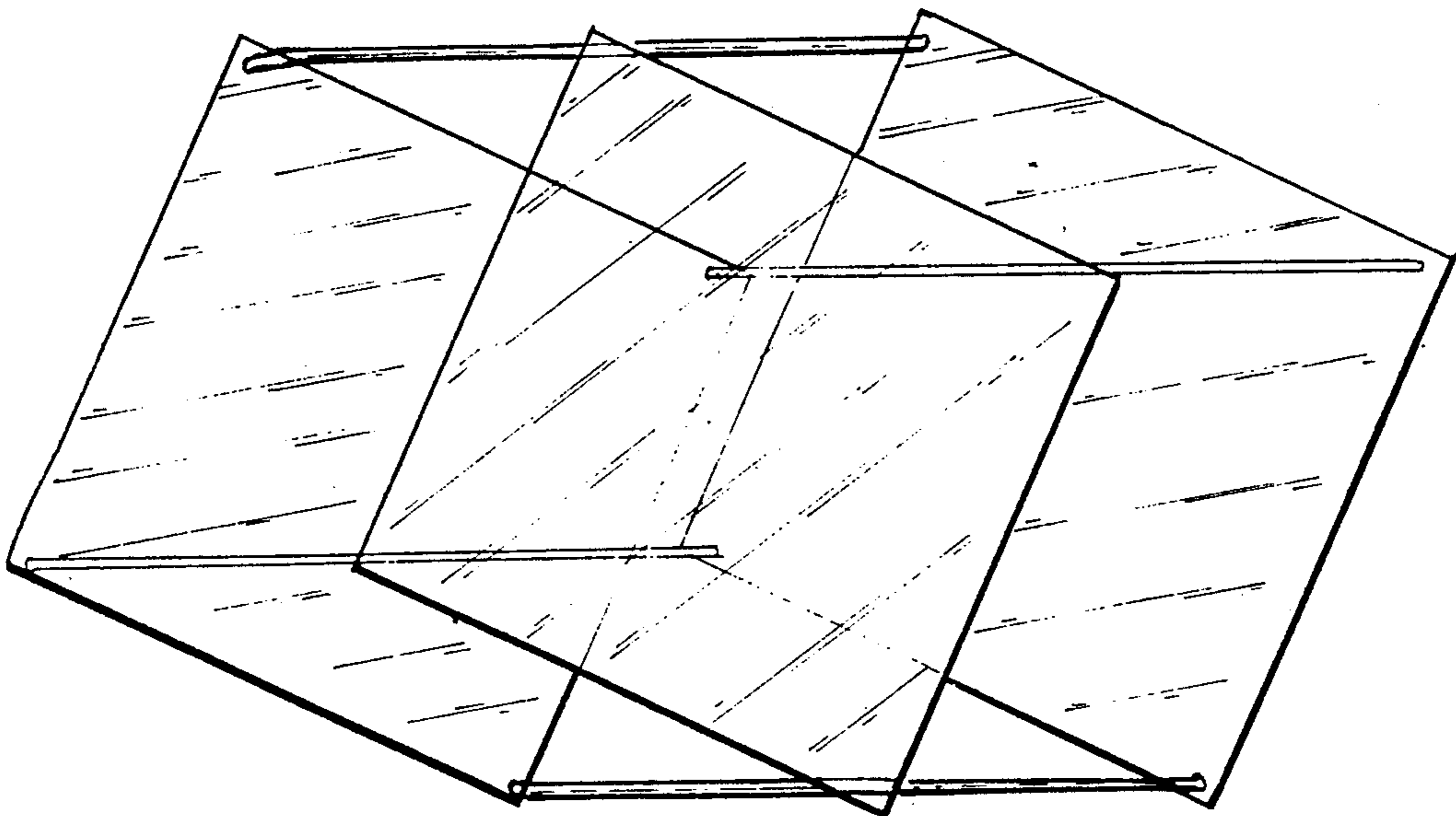


FIG. 7

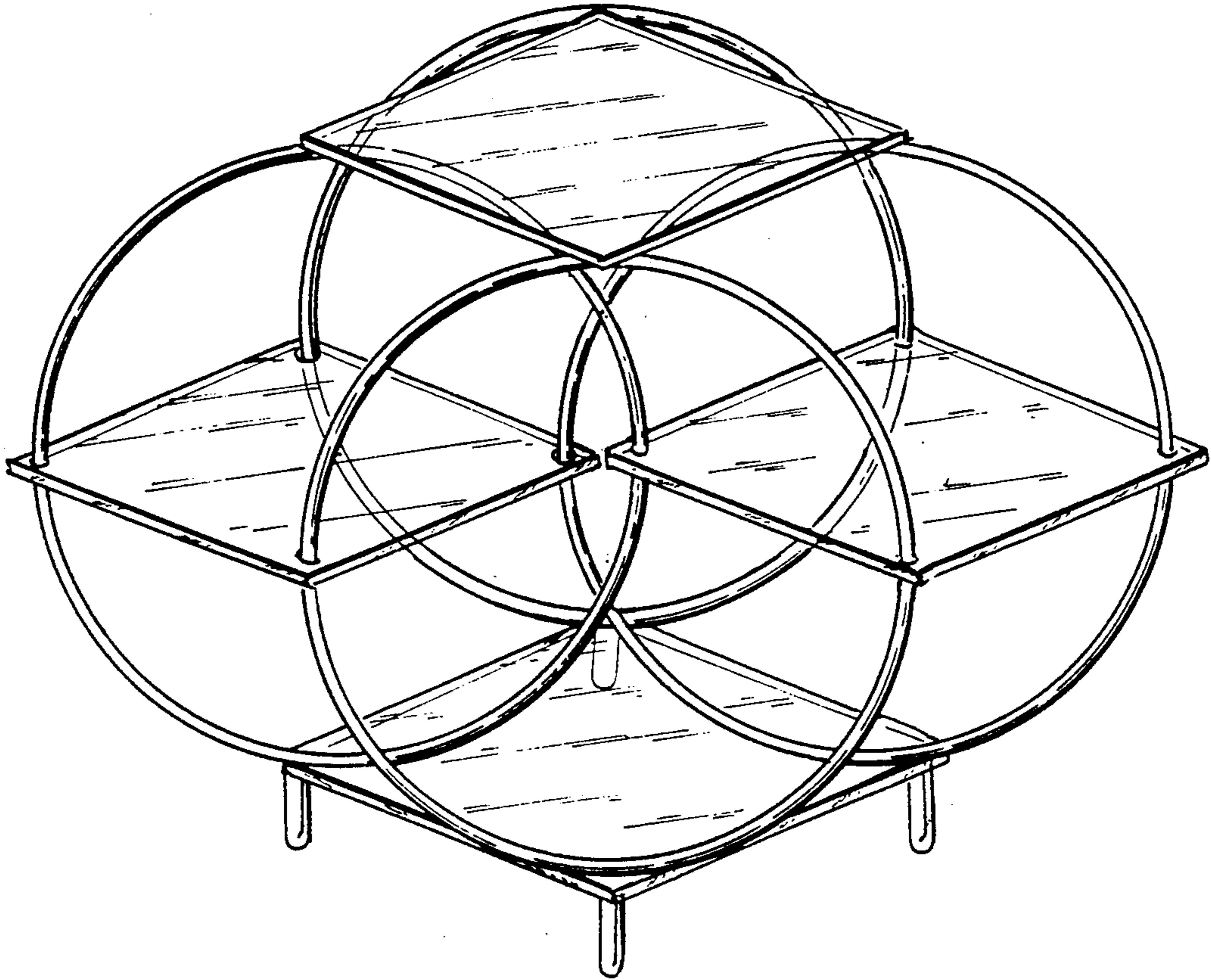


FIG. 8

