



US00D339697S

United States Patent [19]

[11] Patent Number: **Des. 339,697**

Bastiaansen

[45] Date of Patent: **** Sep. 28, 1993**

[54] **CAP RACK**

4,583,646 4/1986 Bowman 211/32
4,953,715 9/1990 Celli 211/37

[76] Inventor: **Jac Bastiaansen**, P.O. Box 352, Bow Island, Alberta, Canada T0K 0G0

FOREIGN PATENT DOCUMENTS

[**] Term: **14 Years**

74817 10/1952 Denmark 211/33

[21] Appl. No.: **919,575**

Primary Examiner—Carmen H. Vales-Lado
Attorney, Agent, or Firm—George H. Dunsmuir

[22] Filed: **Jul. 27, 1992**

[52] U.S. Cl. **D6/415**

[57] CLAIM

[58] Field of Search D6/411-415,
D6/449-467; 211/13, 34-38, 30-33

The ornamental design for a cap rack, as shown and described.

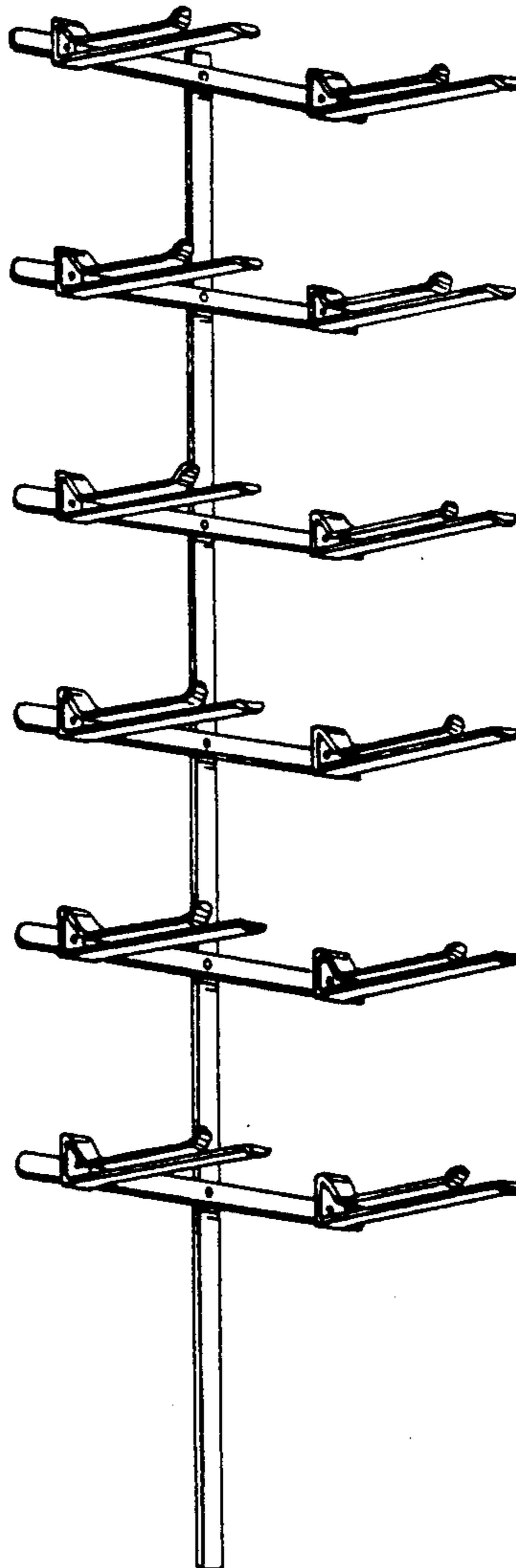
[56] References Cited

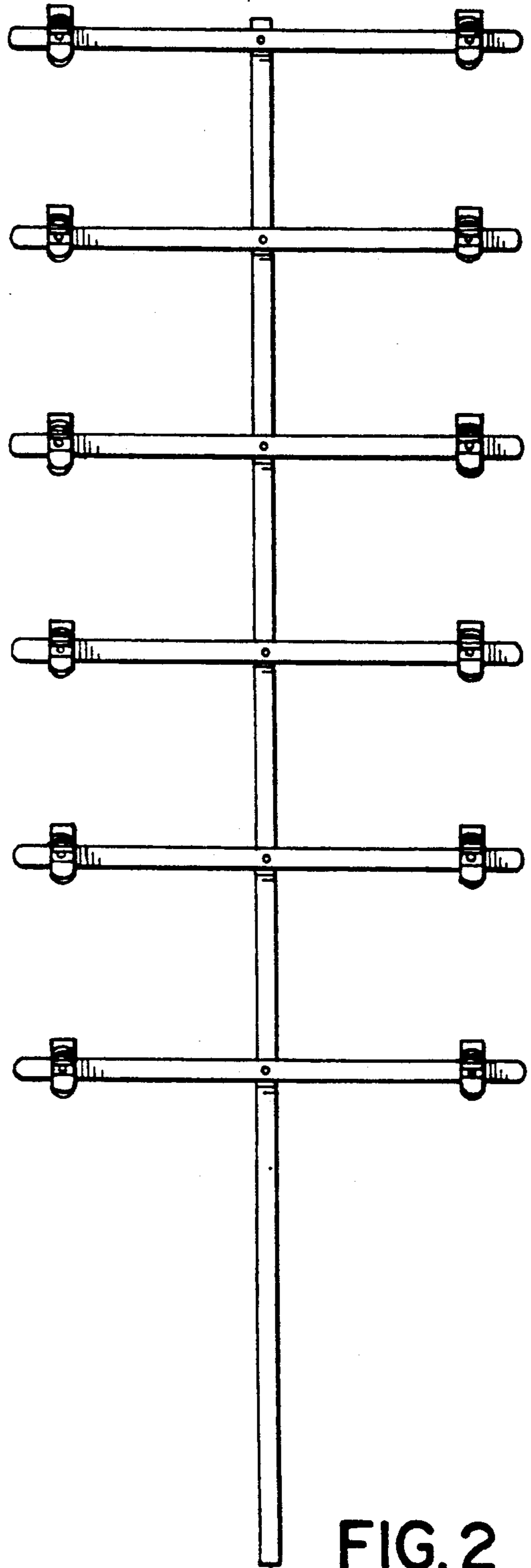
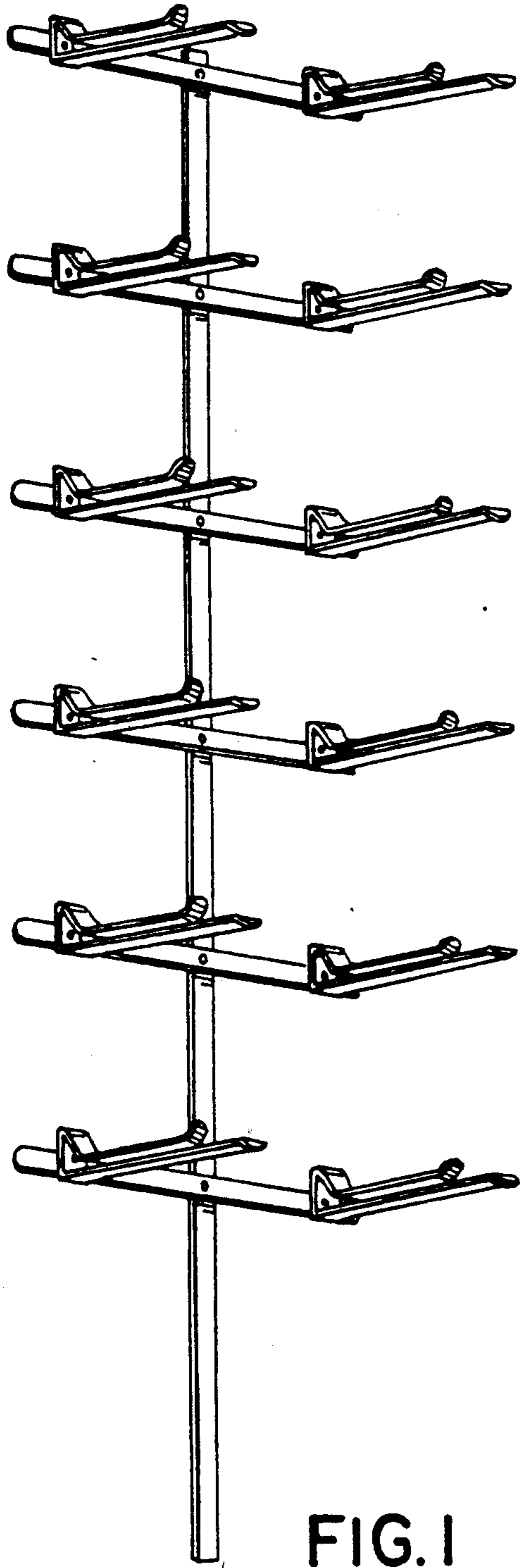
DESCRIPTION

U.S. PATENT DOCUMENTS

D. 186,517	11/1959	Walsh et al.	D6/411
D. 230, 448	2/1974	Cohen	D6/411
D. 264,278	5/1982	Waines	D6/458
961,626	6/1910	Maitland	211/33
1,984,827	12/1934	Derman	211/32 X
3,172,539	3/1965	Rulf	211/59

FIG. 1 is a perspective view of a cap rack showing my new design;
FIG. 2 is a front elevational view thereof;
FIG. 3 is a left side elevational view, the right side being a mirror image thereof;
FIG. 4 is a top plan view thereof; and,
FIG. 5 is a bottom plan view thereof.





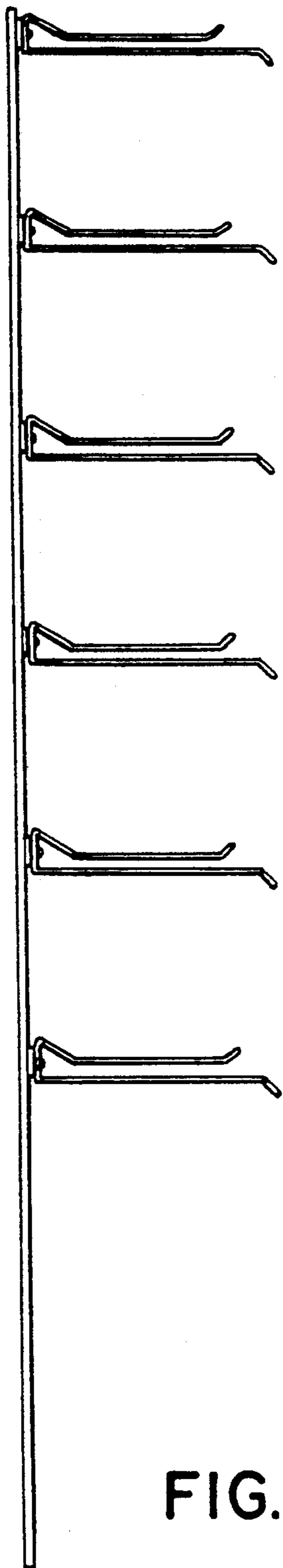


FIG. 3

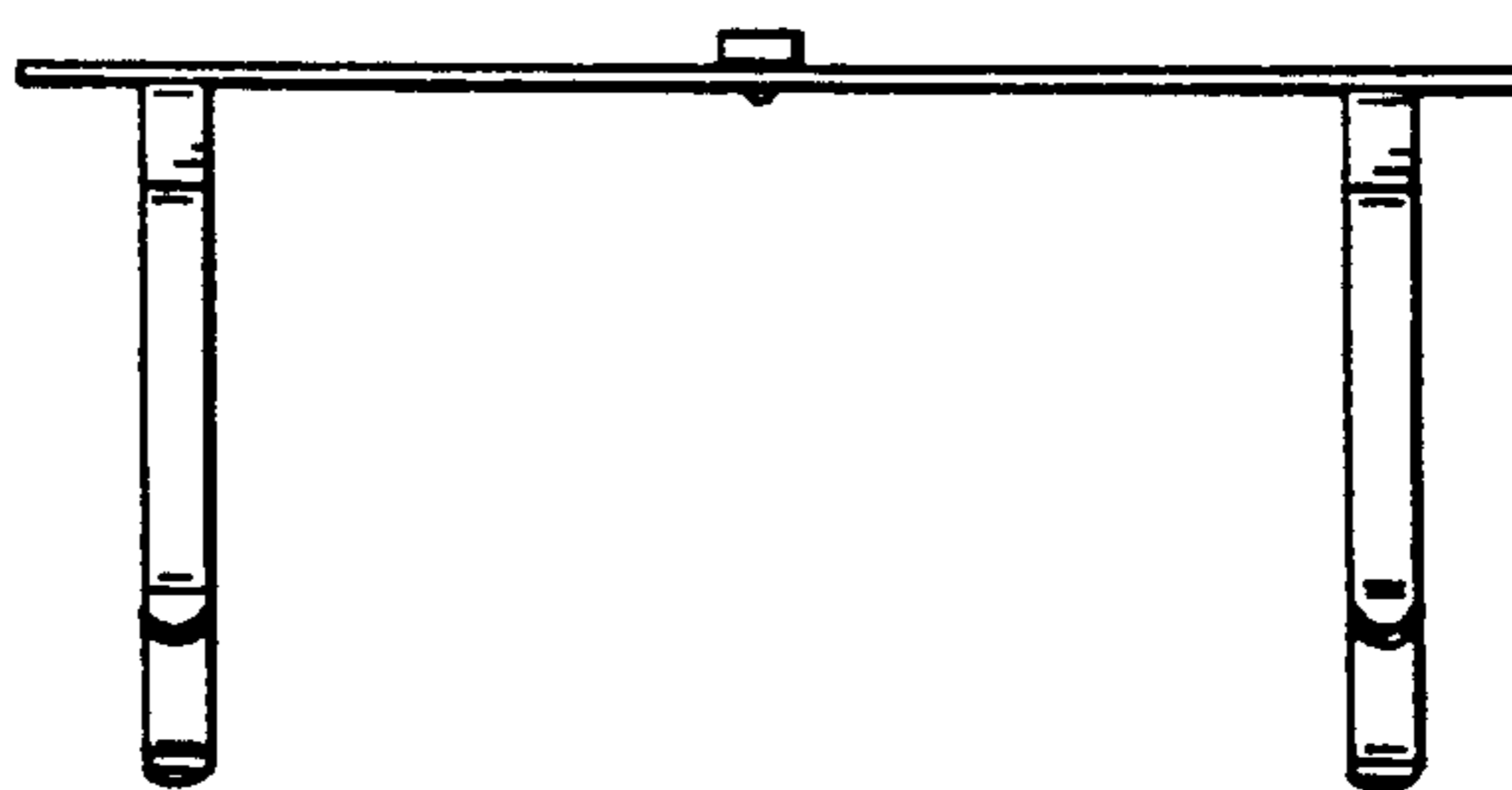


FIG. 4

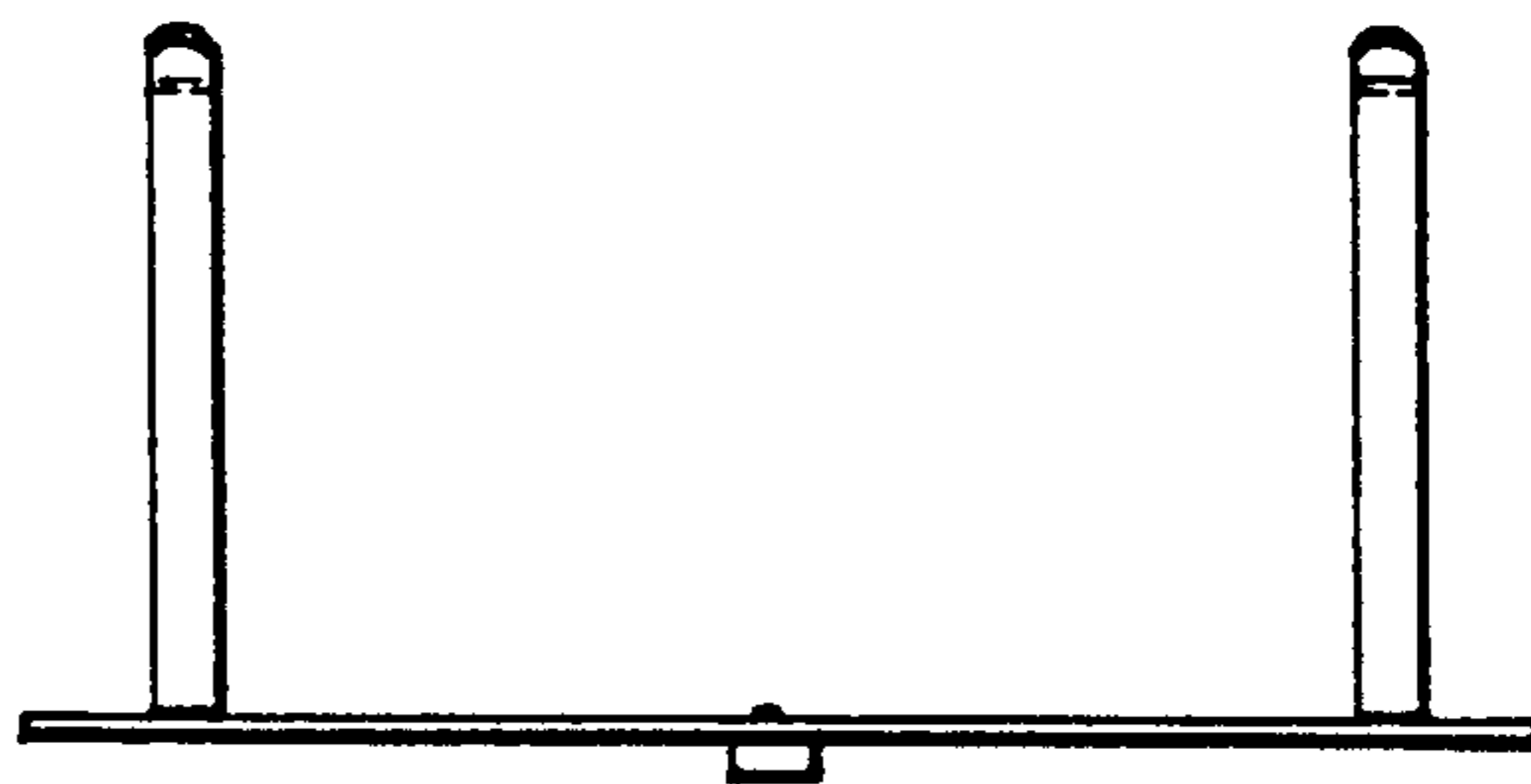


FIG. 5