



US00D339682S

United States Patent [19]

[11] Patent Number: **Des. 339,682**

Phelps

[45] Date of Patent: **** Sep. 28, 1993**

[54] **INSULATED STORAGE CONTAINER FOR VEHICLE**

D. 315,540	3/1991	Carmody	D12/157
D. 323,932	2/1992	Hudgens	D3/40
D. 333,114	2/1993	Taylor	D34/40
1,609,348	12/1926	Disney	D3/70 X
4,401,216	8/1983	Koch	220/23.4

[76] Inventor: **Randal T. Phelps, 2101 Hardy Rd., #27, Grand Prairie, Tex. 75051**

[**] Term: **14 Years**

*Primary Examiner—Louis S. Zarfaz
Attorney, Agent, or Firm—S. Pal Asija*

[21] Appl. No.: **670,169**

[57] **CLAIM**

[22] Filed: **Mar. 15, 1991**

The ornamental design for an insulated storage container for a vehicle, as shown and described.

[52] U.S. Cl. **D3/40; D12/157; D34/40**

DESCRIPTION

[58] Field of Search **D3/40, 70; D12/155, D12/157; D34/40; 224/273, 275, 282, 42.42; 312/400; 206/545; 220/DIG. 15, 23.4, 903**

FIG. 1 is a perspective view of an insulated storage container for a vehicle showing my new design in open condition;

[56] **References Cited**

U.S. PATENT DOCUMENTS

D. 244,489	5/1977	Johnson	D34/40
D. 252,540	8/1979	Murphy	D3/40
D. 305,474	1/1990	Fresquez	D34/40

FIG. 2 is a front elevational view thereof;

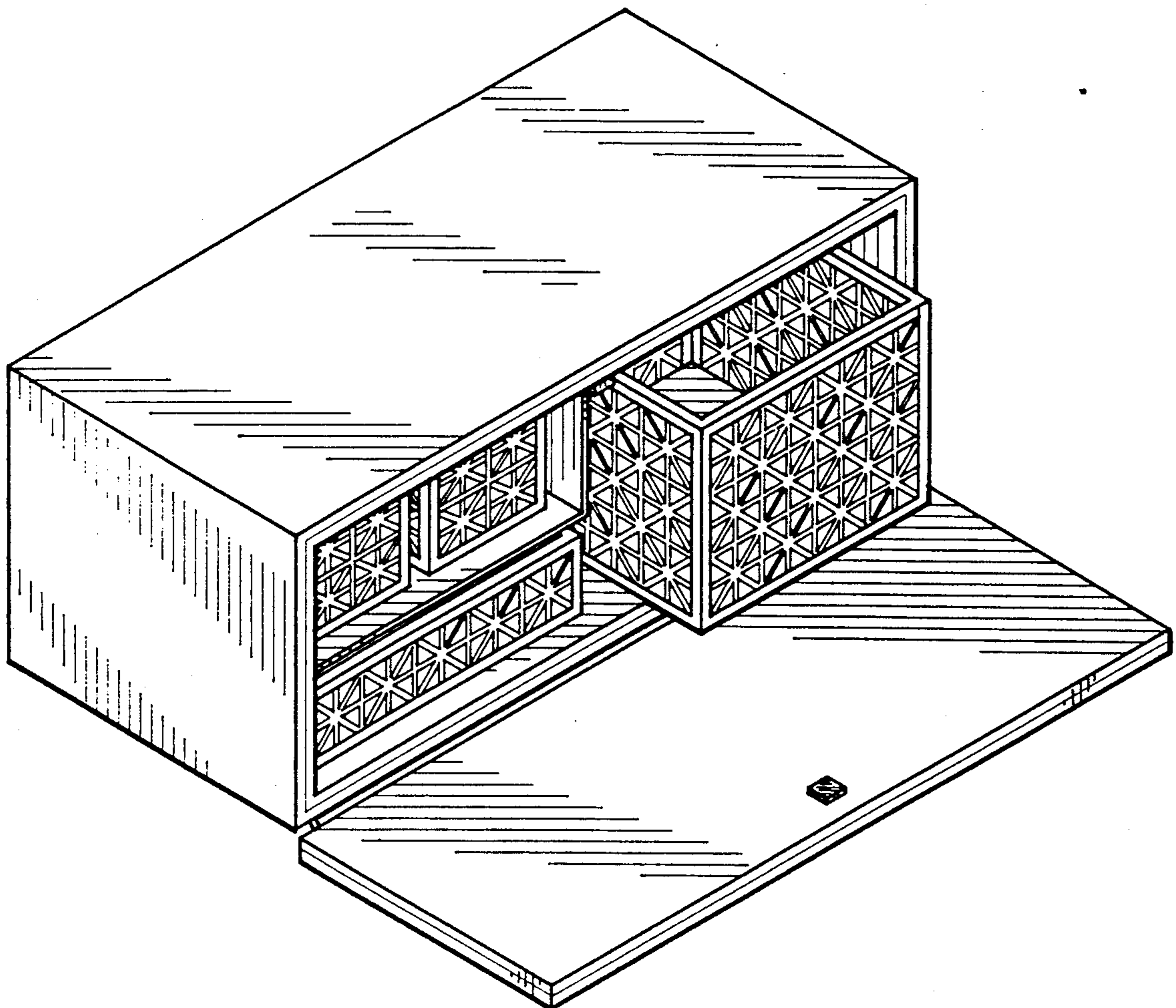
FIG. 3 is a rear elevational view thereof;

FIG. 4 is a left side elevational view thereof;

FIG. 5 is a right side elevational view thereof;

FIG. 6 is a top plan view thereof; and,

FIG. 7 is a bottom plan view thereof.



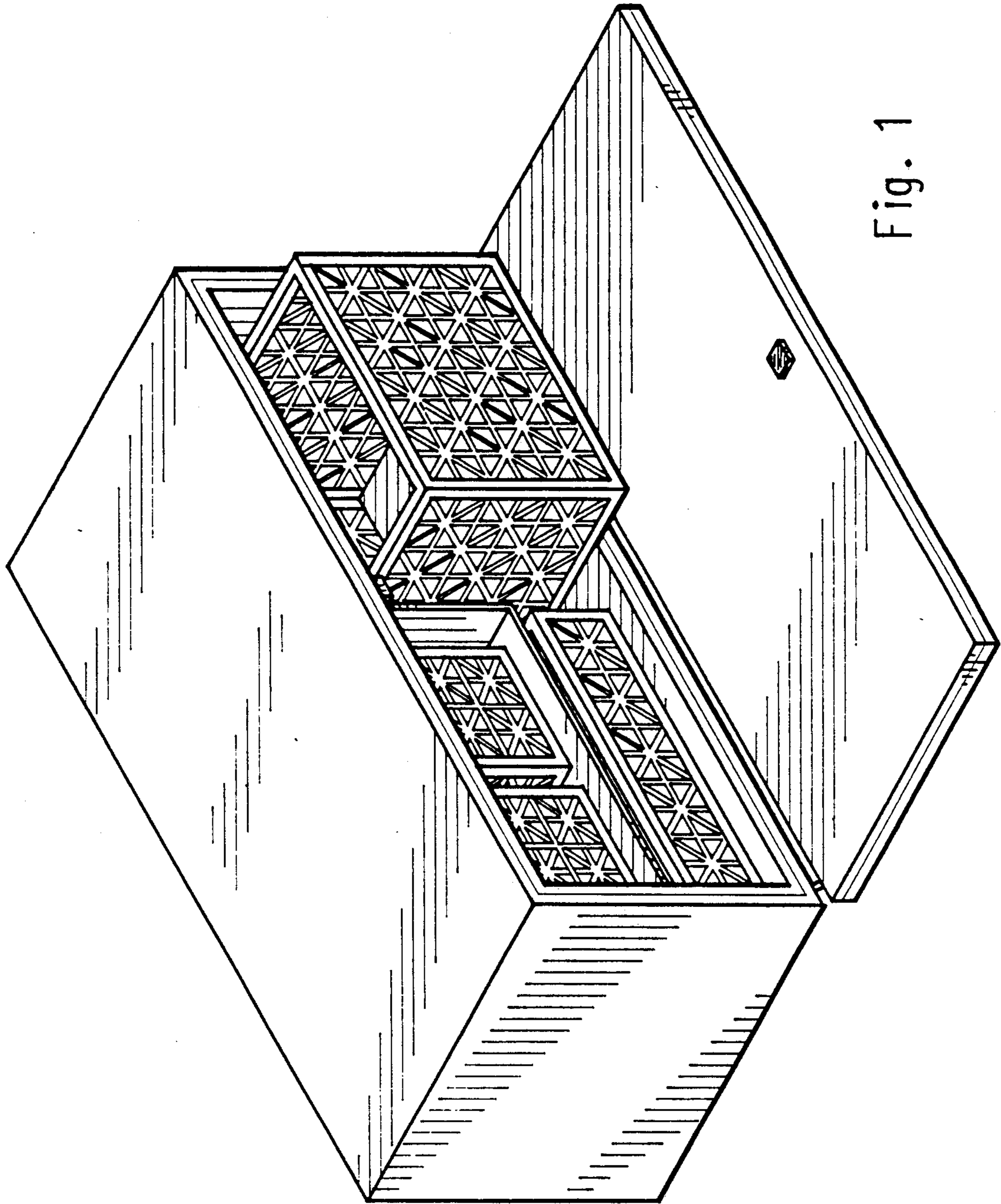


Fig. 1

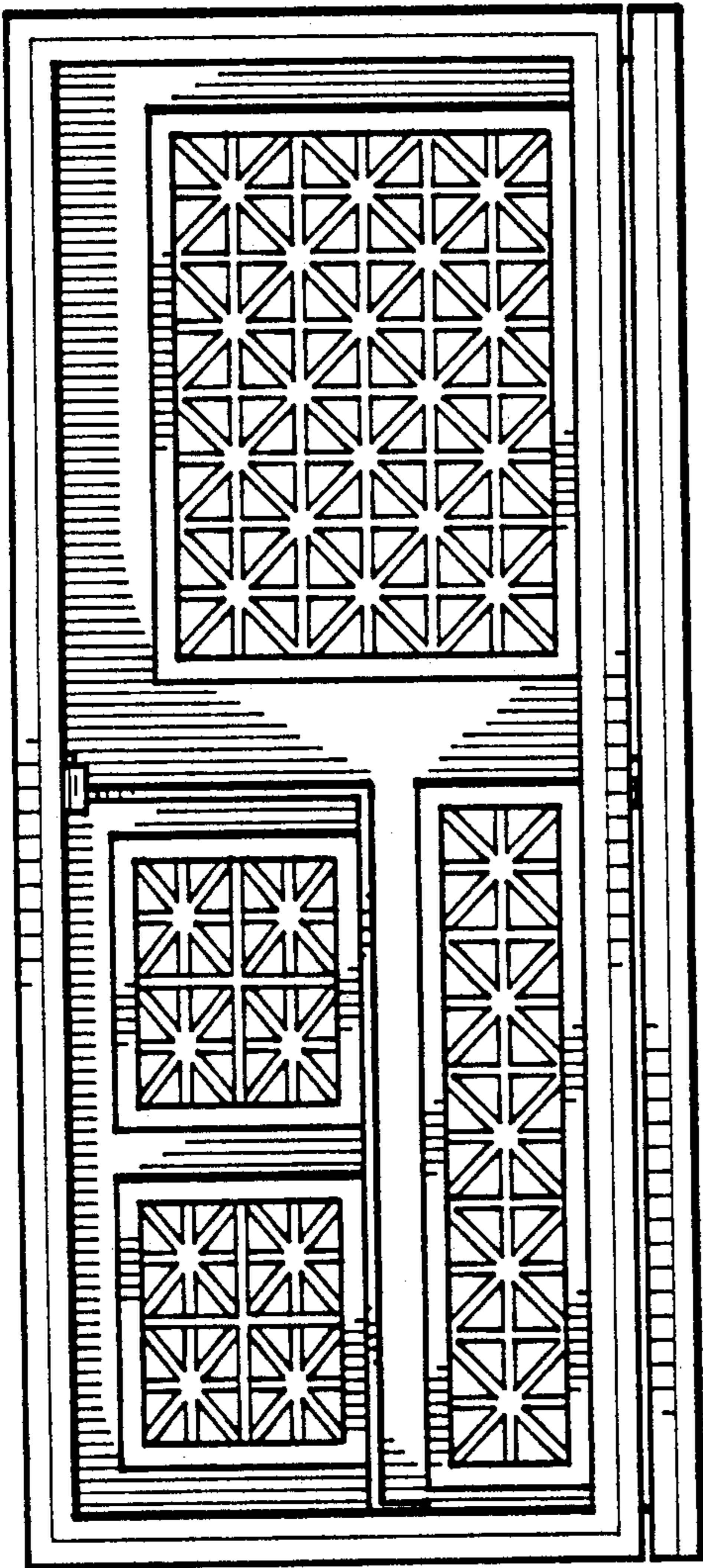


Fig. 2

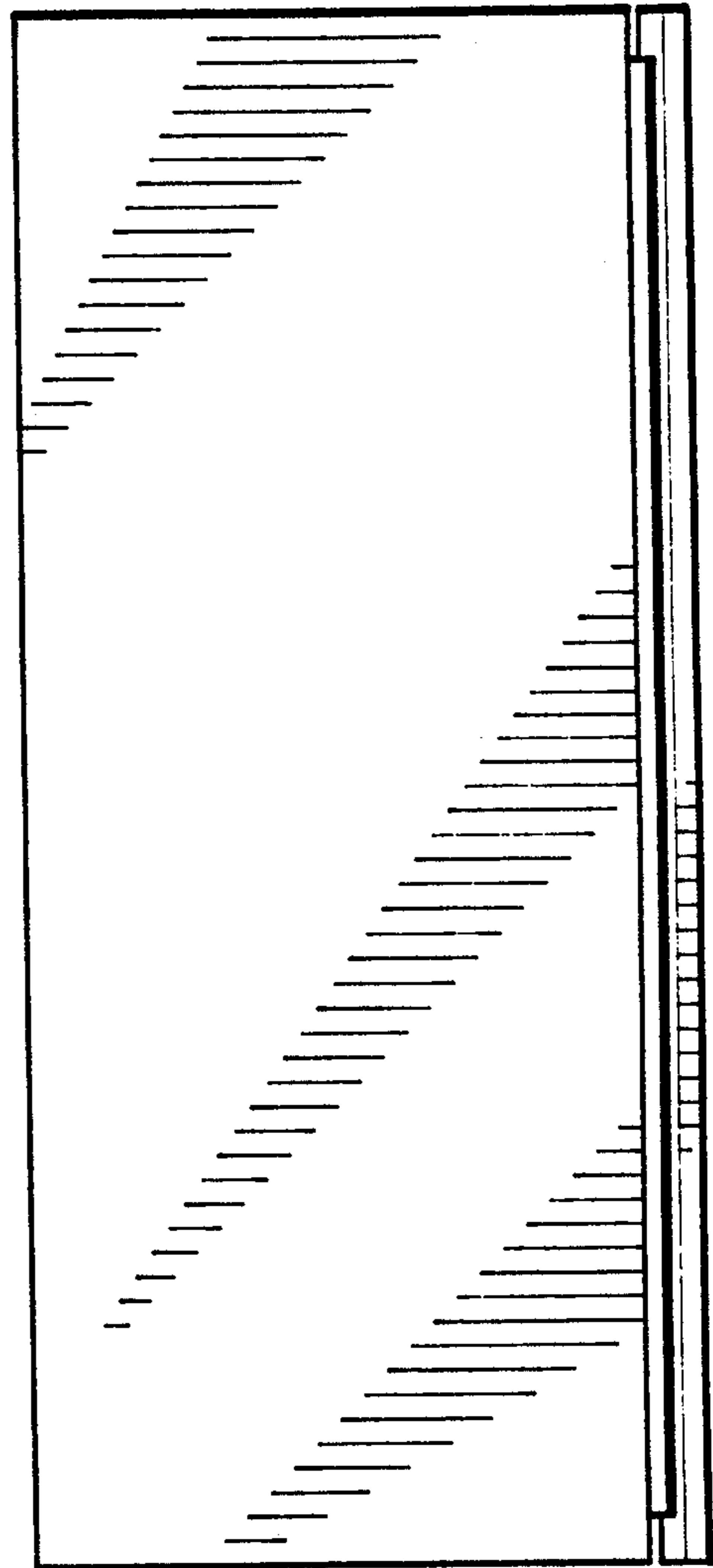
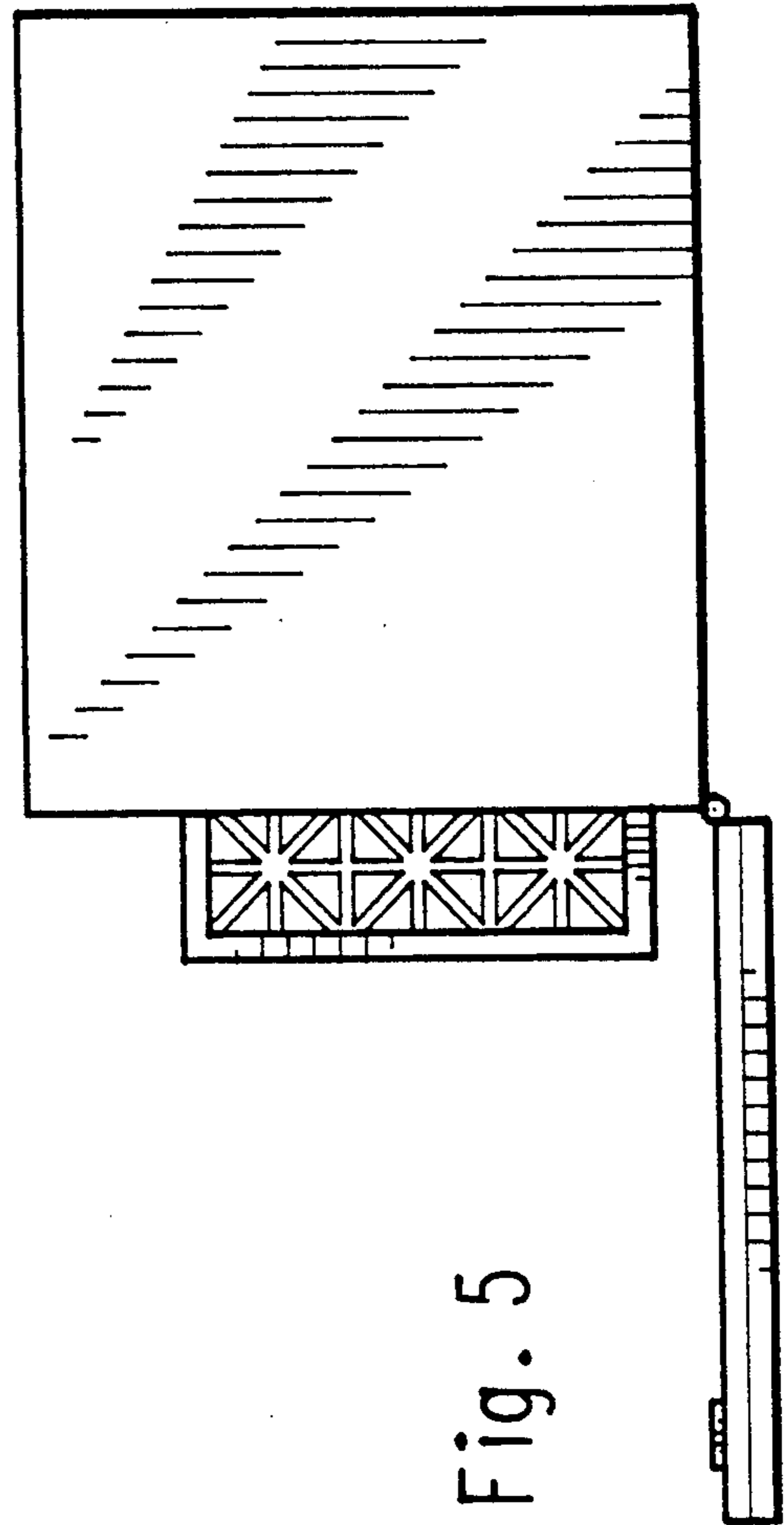
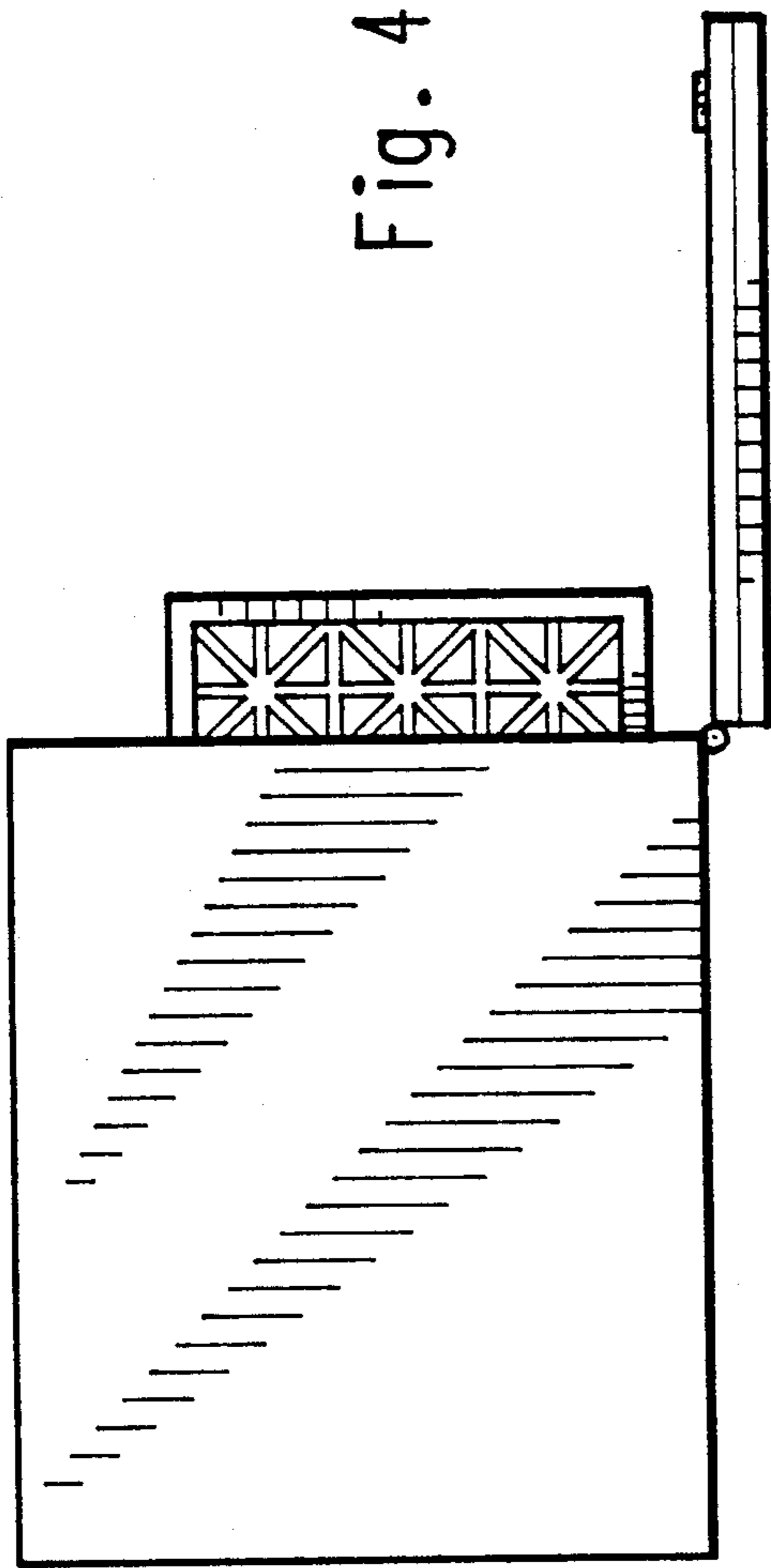


Fig. 3



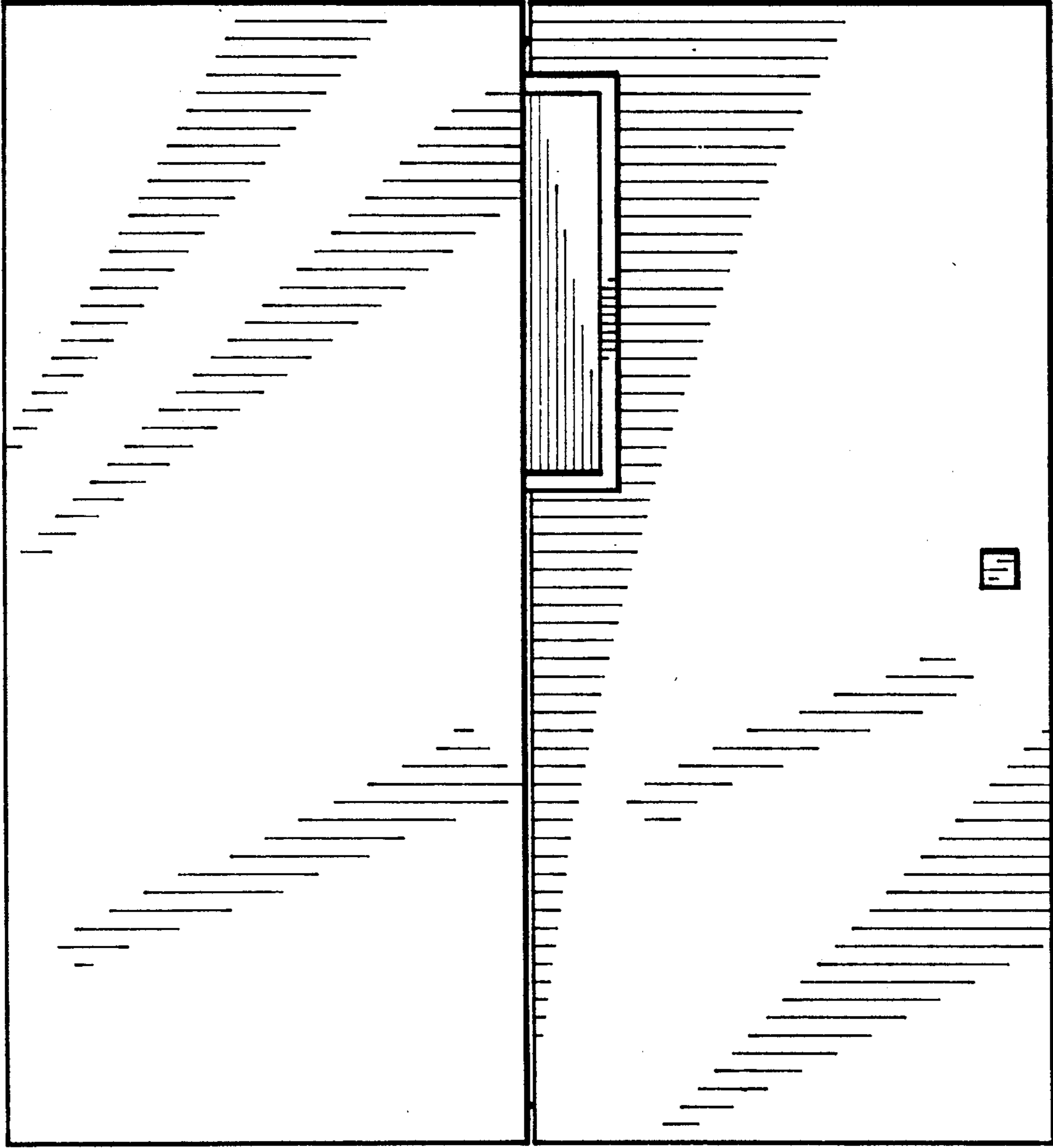


Fig. 6

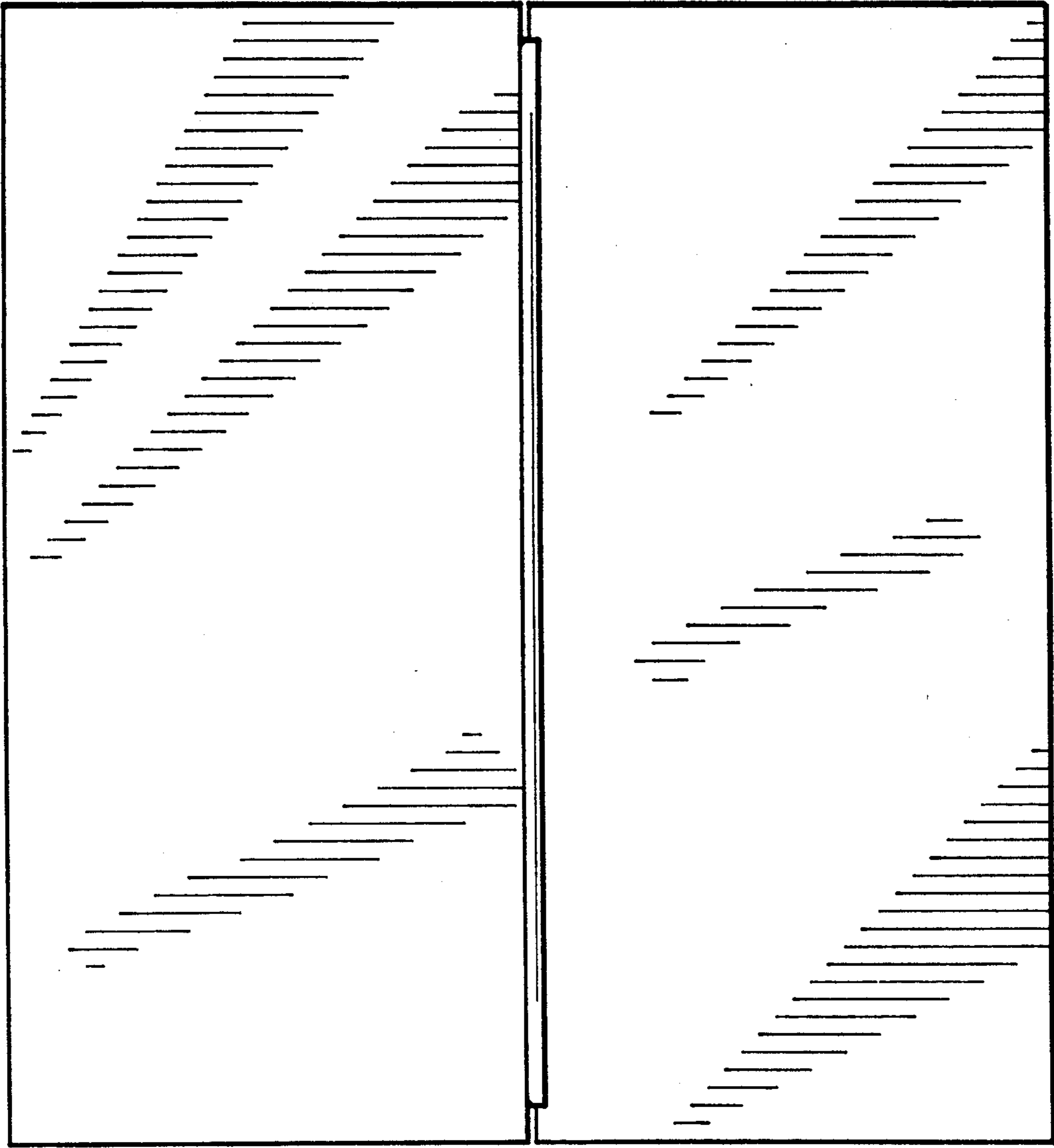


Fig. 7