



US00D339674S

United States Patent [19]

[11] Patent Number: **Des. 339,674**

Avar

[45] Date of Patent: **** Sep. 28, 1993**

[54] SHOE MIDSOLE PERIPHERY

[75] Inventor: **Eric P. Avar, Beaverton, Oreg.**

[73] Assignee: **Nike, Inc., Beaverton, Oreg.**

[**] Term: **14 Years**

[21] Appl. No.: **935,371**

[22] Filed: **Aug. 26, 1992**

[52] U.S. Cl. **D2/314; D2/318**

[58] Field of Search **D2/264, 265, 308-314, D2/317-323; 36/25 R, 28, 29, 32 R, 45, 83, 84, 89, 100-107, 112-114, 132, 136, 137**

[56] References Cited

U.S. PATENT DOCUMENTS

D. 310,442	9/1990	Hatfield	D2/314
D. 312,917	12/1990	Hatfield	D2/314
D. 312,918	12/1990	Aveni	D2/314
D. 317,828	7/1991	Rogers	D2/320
D. 321,974	12/1991	Hatfield	D2/320
D. 322,506	12/1991	Rogers	D2/314
D. 329,739	9/1992	Hatfield	D2/318
D. 330,797	11/1992	Lucas	D2/314
D. 331,143	11/1992	McDonald	D2/314
D. 332,861	2/1993	Worthington	D2/314
5,131,173	7/1992	Anderie	36/25 R

OTHER PUBLICATIONS

"Air Ultra Force High", p. 22, Nike Fall 1990 catalog.
"Air Mach Force", shoes, p. 34, Nike Fall 1991 catalog.

"Air Max ST", p. 8 and Air Raid, p. 26, Nike Fall 1992 catalog.

"Air Approach", p. 74, Nike Fall 1991 catalog.

Primary Examiner—Louis S. Zarfes
Attorney, Agent, or Firm—Banner, Birch, McKie & Beckett

[57] CLAIM

The ornamental design for a shoe midsole periphery, as shown and described.

DESCRIPTION

FIG. 1 is a side elevational view of one side of a shoe midsole periphery showing my new design;

FIG. 2 is a side elevational view of the other side of the midsole shown in FIG. 1;

FIG. 3 is a rear elevational view of the midsole shown in FIG. 1;

FIG. 4 is a front elevational view of the midsole shown in FIG. 1;

FIG. 5 is a partial cross section taken along line 5—5 of FIG. 1;

FIG. 6 is a partial cross section taken along line 6—6 of FIG. 1;

FIG. 7 is a partial cross section taken along line 7—7 of FIG. 1; and,

FIG. 8 is a cross sectional view taken along line 8—8 of FIG. 1.

The broken lines showing the shoe upper and the remaining portions of the sole in FIGS. 1-4 are for illustrative purposes only and form no part of the claimed design.

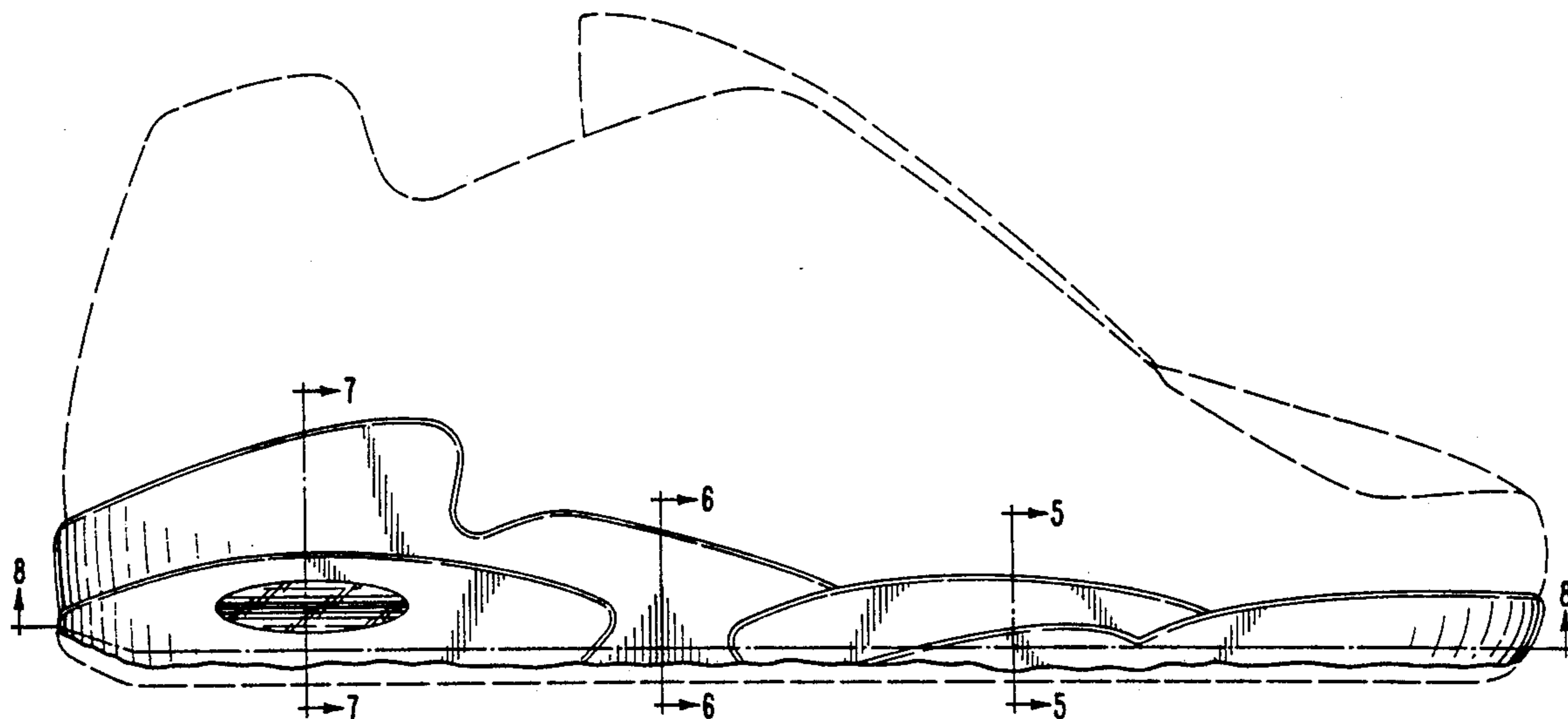


FIG. 7



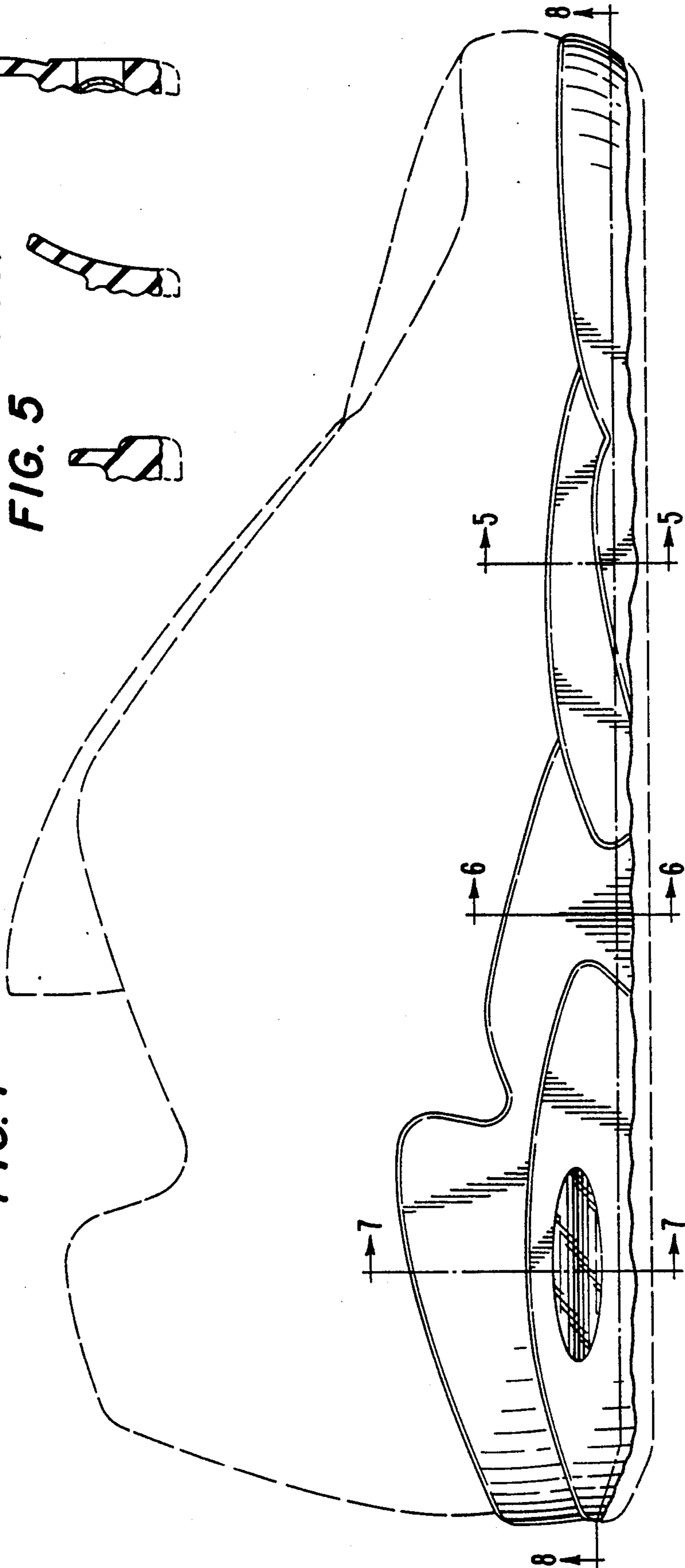
FIG. 6



FIG. 5



FIG. 1



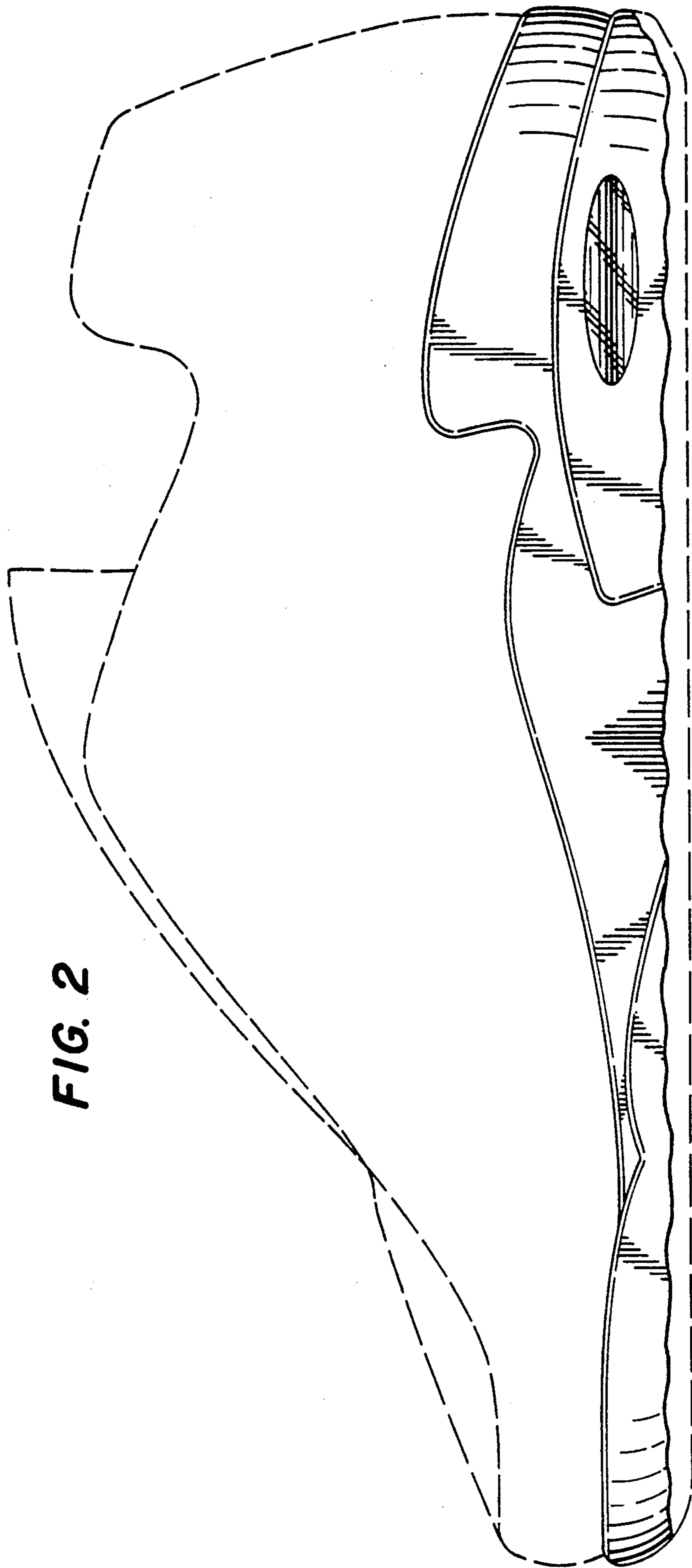


FIG. 2

FIG. 4

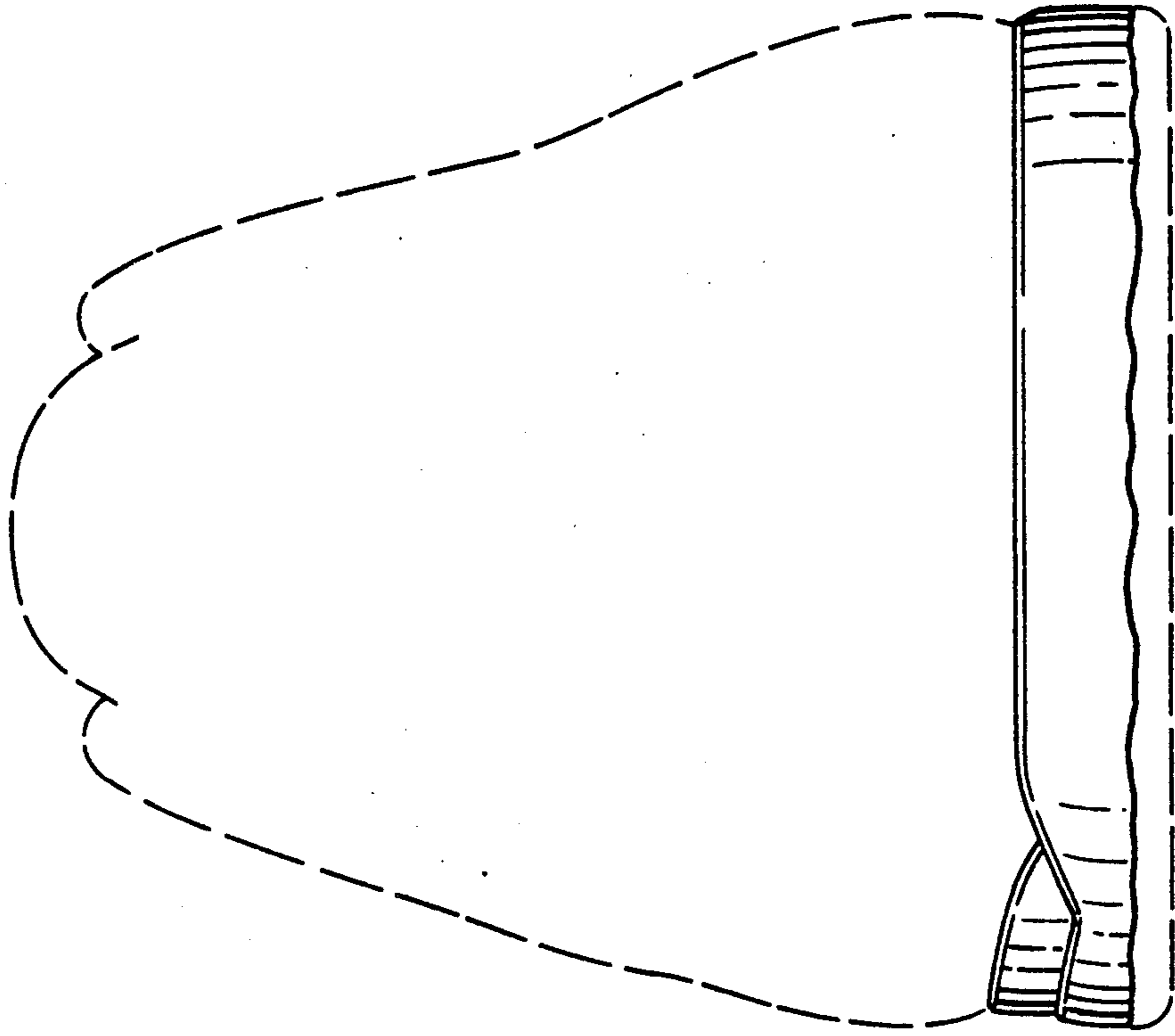


FIG. 3

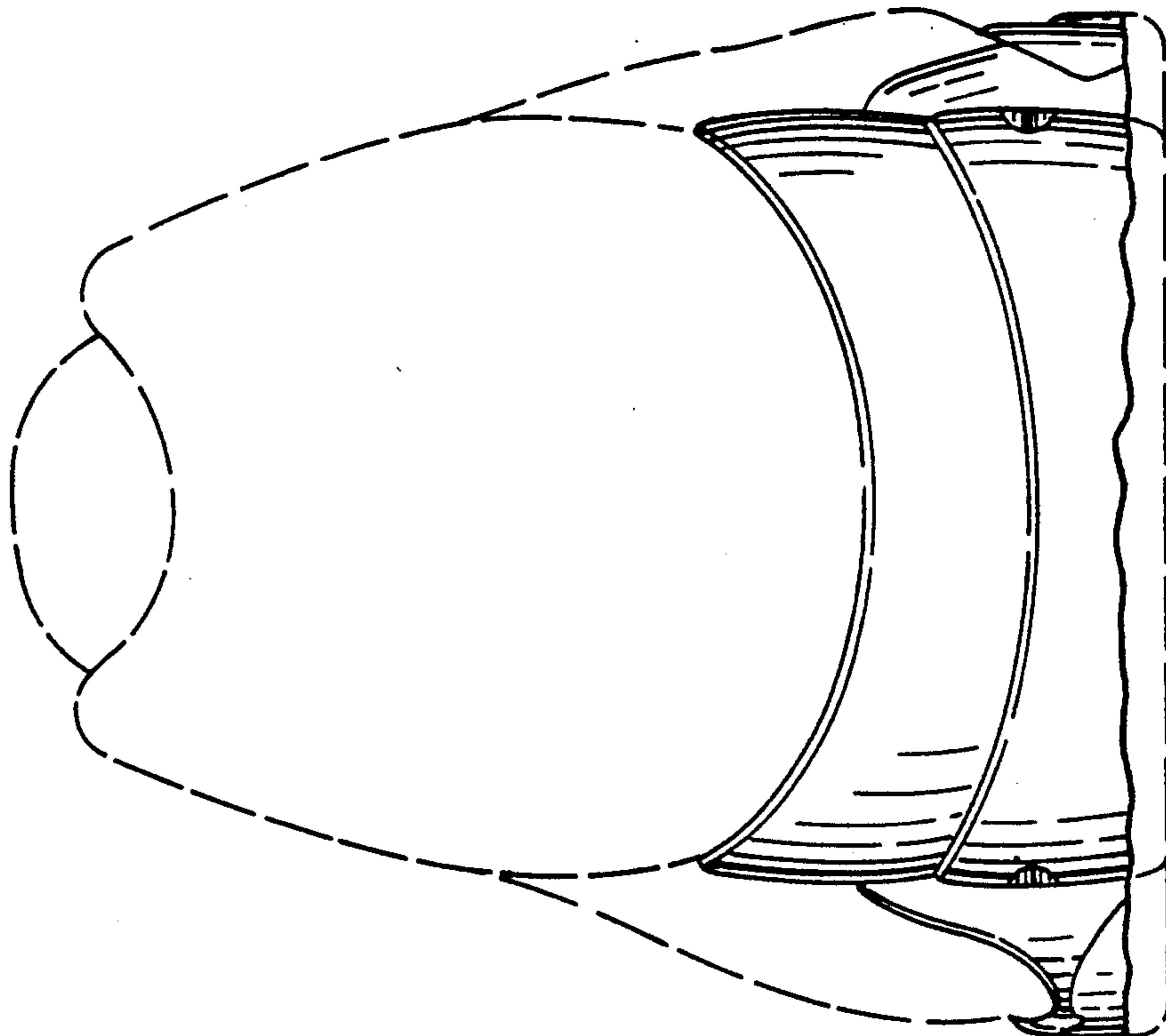


FIG. 8

