



US00D339667S

United States Patent [19]

[11] Patent Number: **Des. 339,667**

Fitzpatrick

[45] Date of Patent: **** Sep. 21, 1993**

[54] **CLOTHES AIRING RACK**

3,696,856 10/1972 Potter 248/169 X
4,988,064 1/1991 Hoshino 248/165 X

[76] Inventor: **Patrick C. Fitzpatrick**, 83 Calle Pensamiento, El Paraiso Baja, Estepona, Marbella, Spain

OTHER PUBLICATIONS

Fuller Brush Catalog Inc., TM 1987, Ironing Rack Item No. 13180A, p. 20.

[**] Term: **14 Years**

Primary Examiner—Wallace R. Burke
Assistant Examiner—Lavone D. Tabor
Attorney, Agent, or Firm—Mason, Fenwick & Lawrence

[21] Appl. No.: **347,233**

[22] Filed: **May 4, 1989**

[57] **CLAIM**

The ornamental design for a clothes airing rack, as shown and described.

[30] **Foreign Application Priority Data**

Nov. 8, 1988 [GB] United Kingdom 1054806

[52] U.S. Cl. **D32/58**

[58] **Field of Search** D6/410, 411, 429;
D32/35, 55-60; 211/7, 13, 86, 89, 99-104,
115-118, 123-124, 163, 165-167, 170-175,
195-197, 199, 204-205; D16/242, 244;
248/165-166, 168-171, 173

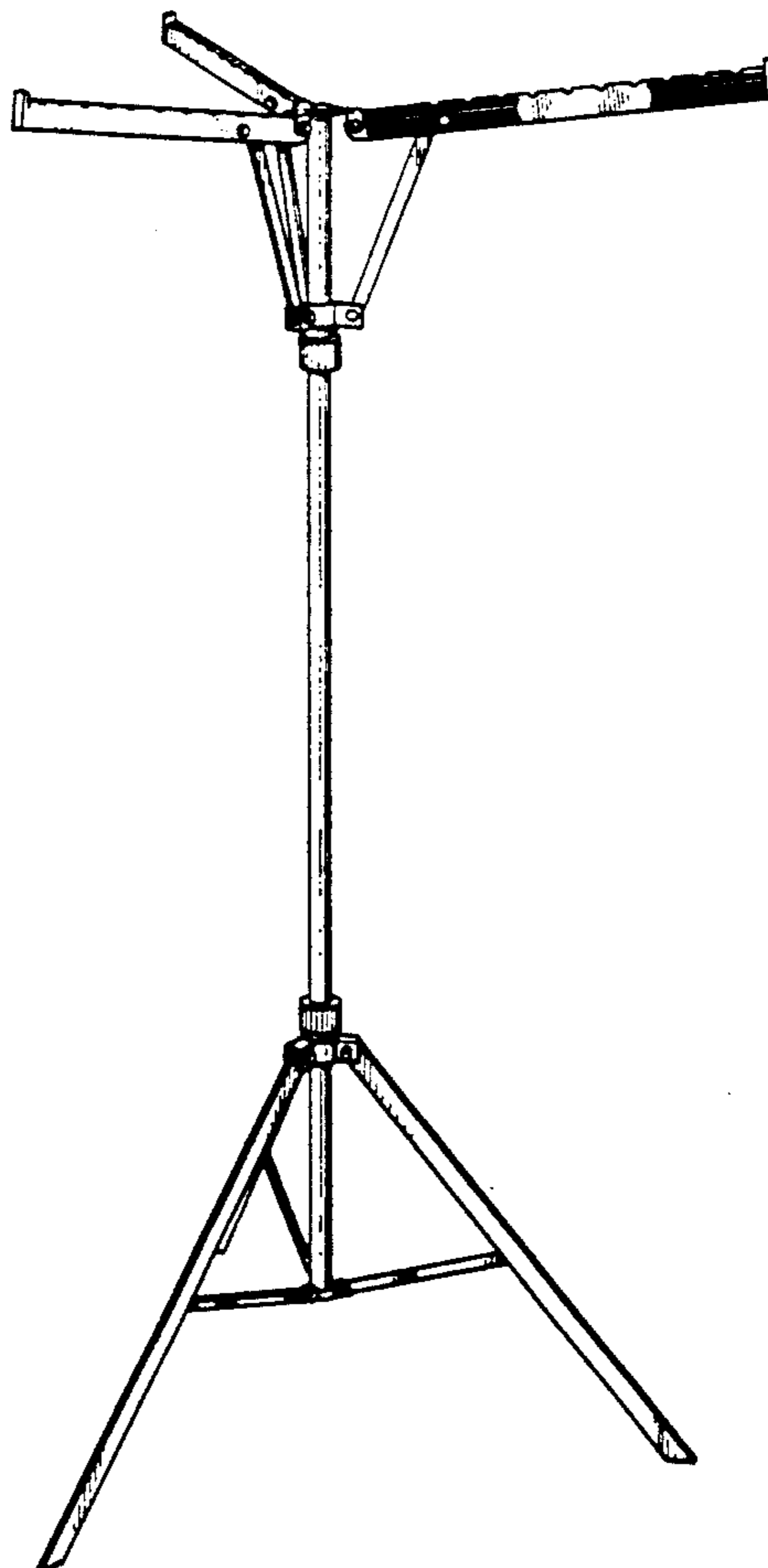
DESCRIPTION

FIG. 1 is a perspective view of a clothes airing rack showing my new design;
FIG. 2 is a front elevational view thereof;
FIG. 3 is a side elevational view thereof, the opposite side being a mirror image;
FIG. 4 is a top plan view thereof;
FIG. 5 is a rear elevational view thereof;
FIG. 6 is a bottom plan view thereof; and,
FIG. 7 is a front elevational view thereof, shown with the supporting arms and tripod base in folded position for storage.

[56] **References Cited**

U.S. PATENT DOCUMENTS

D. 185,198 5/1959 Gill D32/58
679,606 7/1901 Davis 211/165
1,250,833 12/1917 Flanegin 211/172
2,823,884 2/1958 Lagerstrom 211/86 X



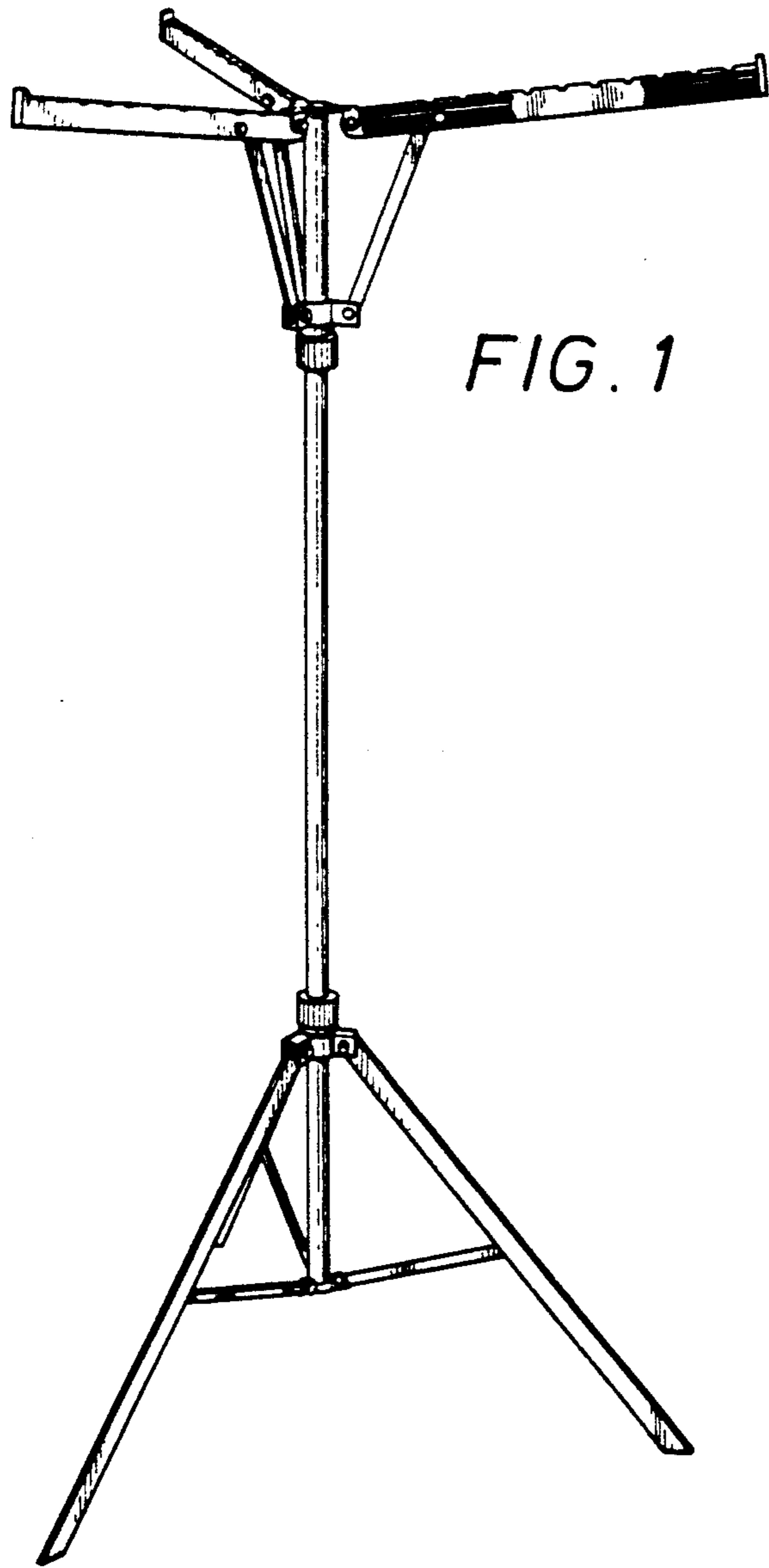


FIG. 1

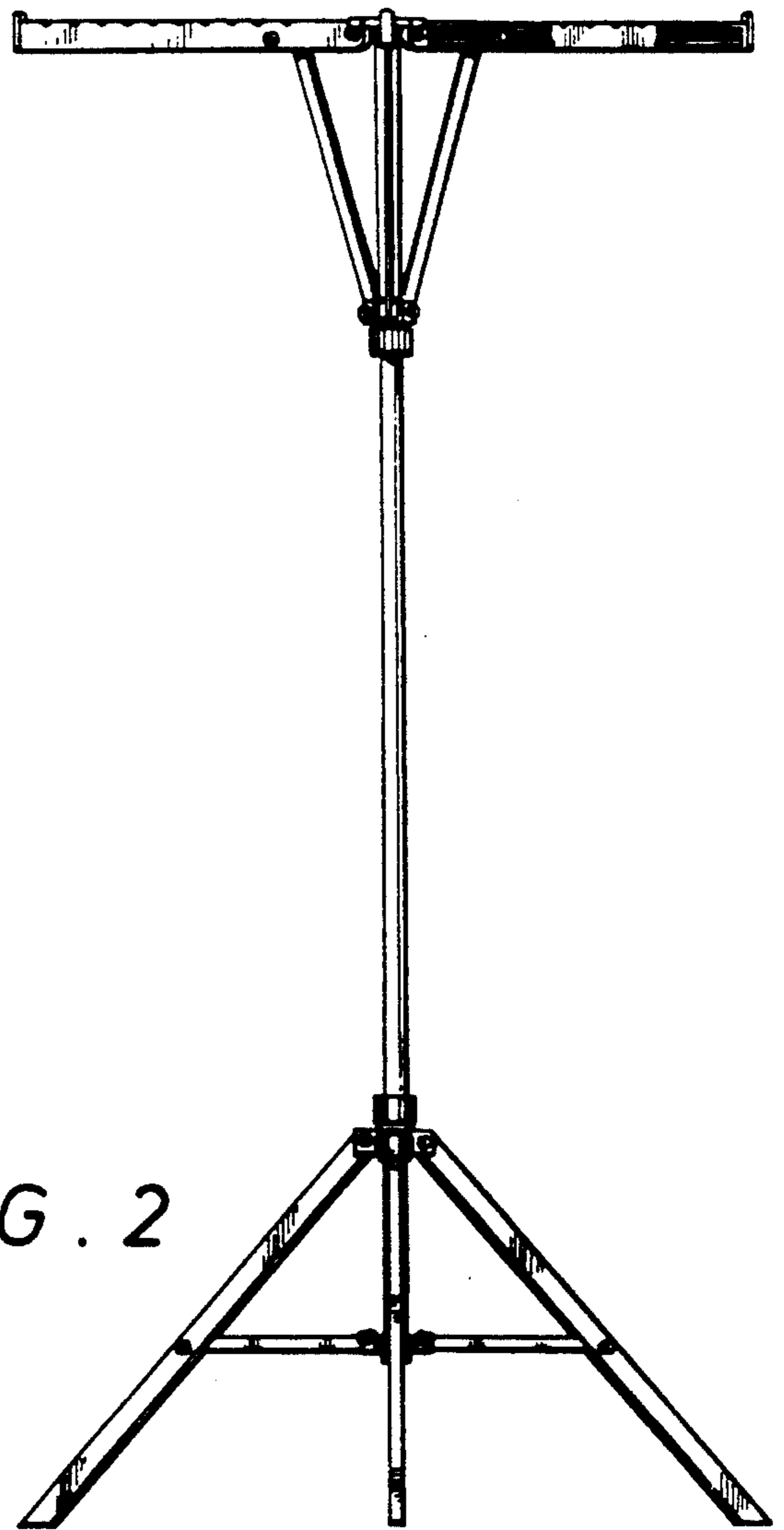


FIG. 2

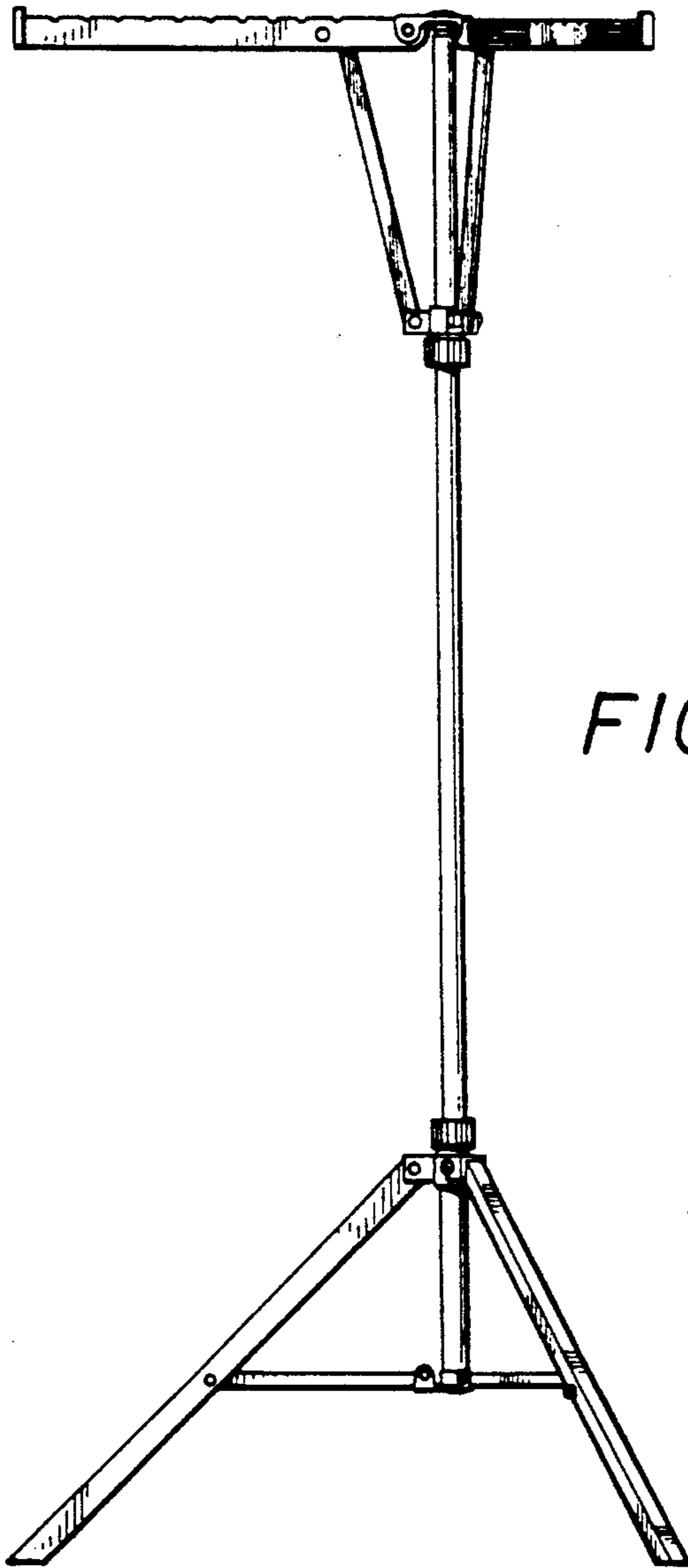


FIG. 3

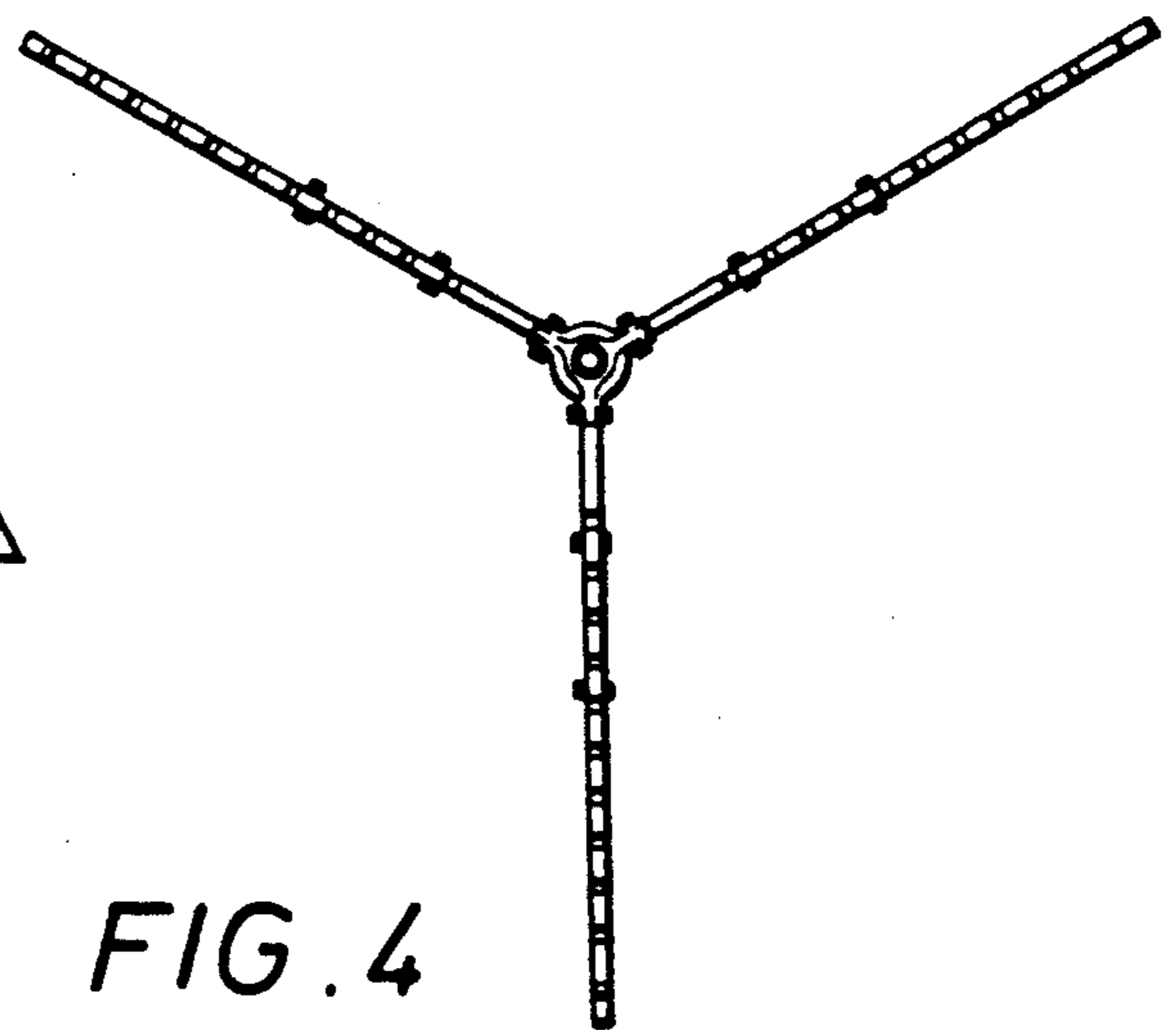


FIG. 4

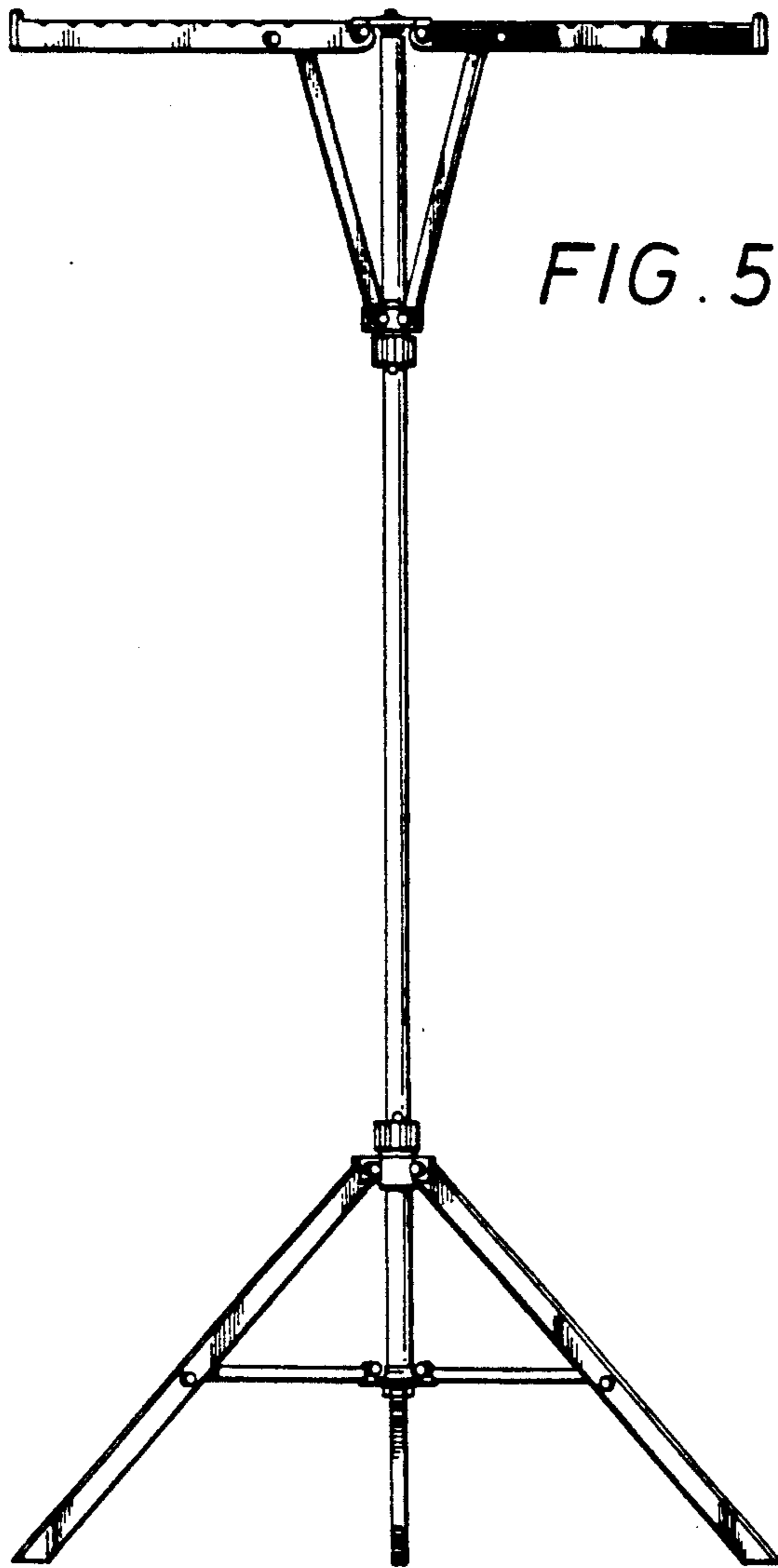


FIG. 5

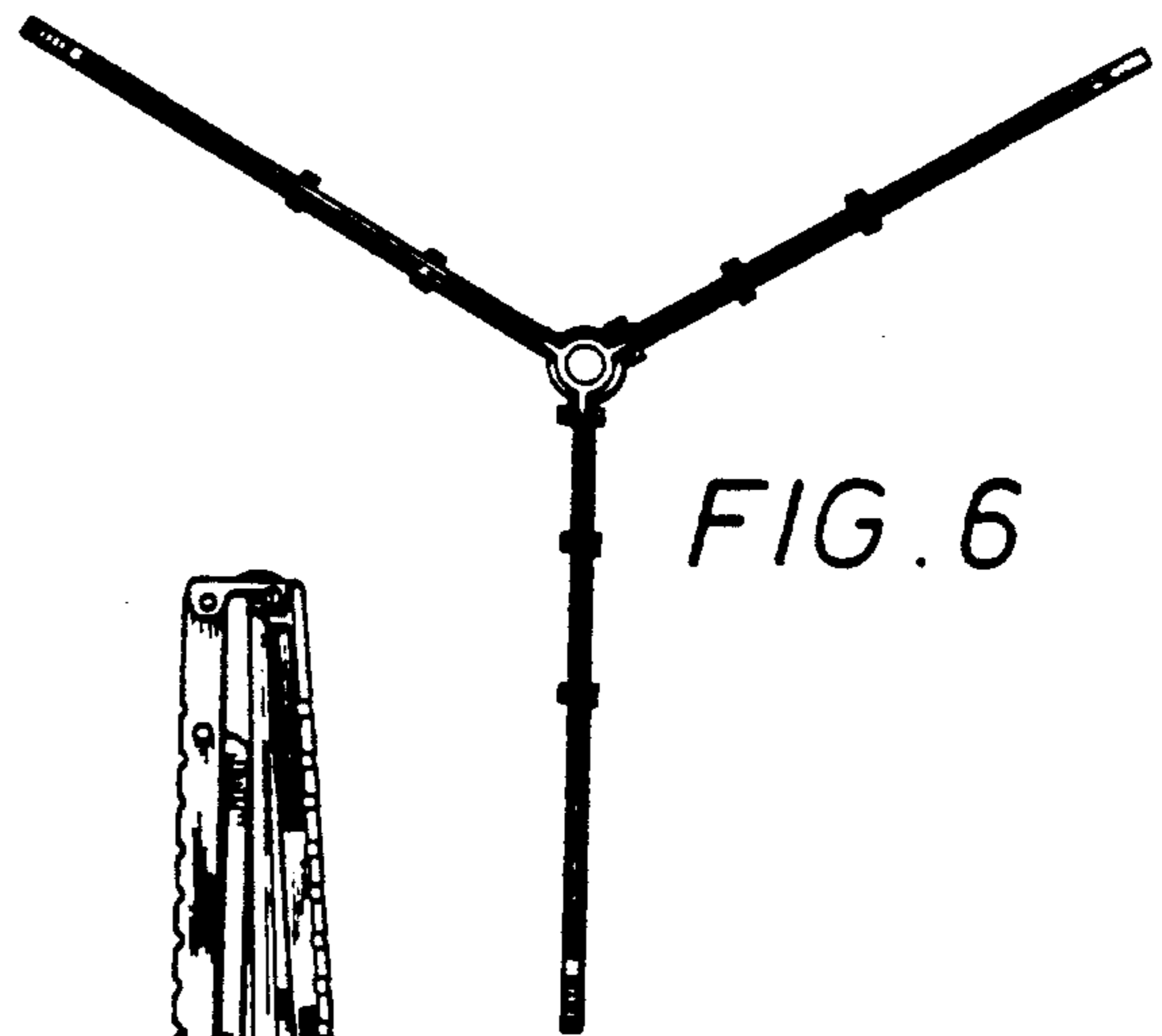


FIG. 6



FIG. 7