



US00D339666S

# United States Patent [19]

Knowlton

[11] Patent Number: **Des. 339,666**

[45] Date of Patent: **\*\* Sep. 21, 1993**

[54] **PARTS WASHER**

[76] Inventor: **Glenn C. Knowlton**, 2262 Bronson Dr., St. Paul, Minn. 55112

[\*\*] Term: **14 Years**

[21] Appl. No.: **488,760**

[22] Filed: **Mar. 5, 1990**

[52] U.S. Cl. .... **D32/1**

[58] Field of Search ..... **D32/1; 134/200, 184, 134/169 A; 135/135, 111, 174, 198**

[56] **References Cited**

### U.S. PATENT DOCUMENTS

D. 120,930	6/1940	Hoke et al. ....	D32/1
D. 232,322	8/1974	Lee .....	D32/1
D. 254,549	3/1980	Gentry .....	D32/1
D. 259,425	6/1981	Doyel .....	D32/1
D. 306,223	2/1990	Muirhead et al. ....	D32/1

D. 306,785	3/1990	Soto .....	D32/1
3,320,963	5/1967	Walker .....	D32/1

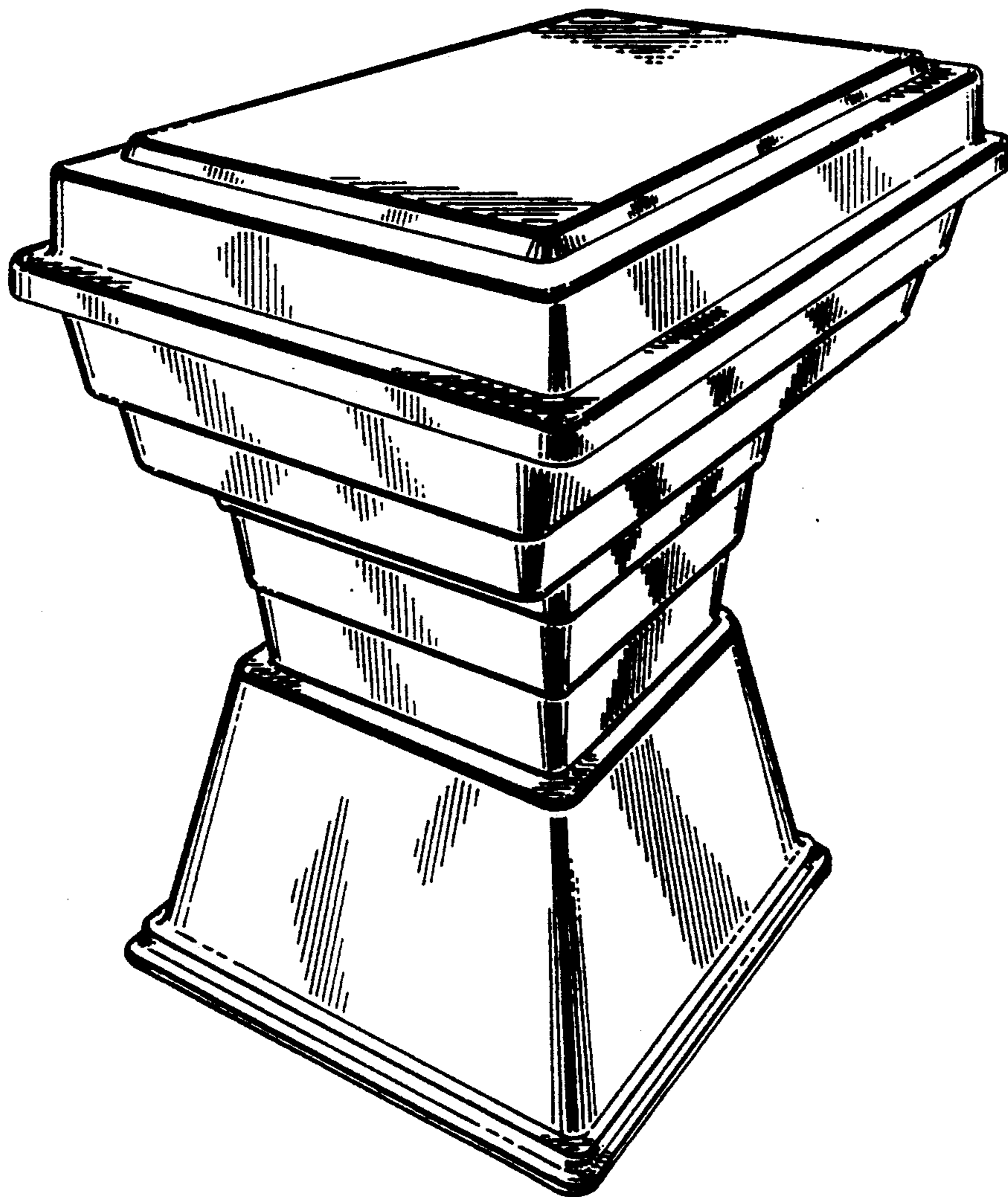
*Primary Examiner*—Ruth McInroy  
*Attorney, Agent, or Firm*—Peterson, Wicks, Nemer & Kamrath

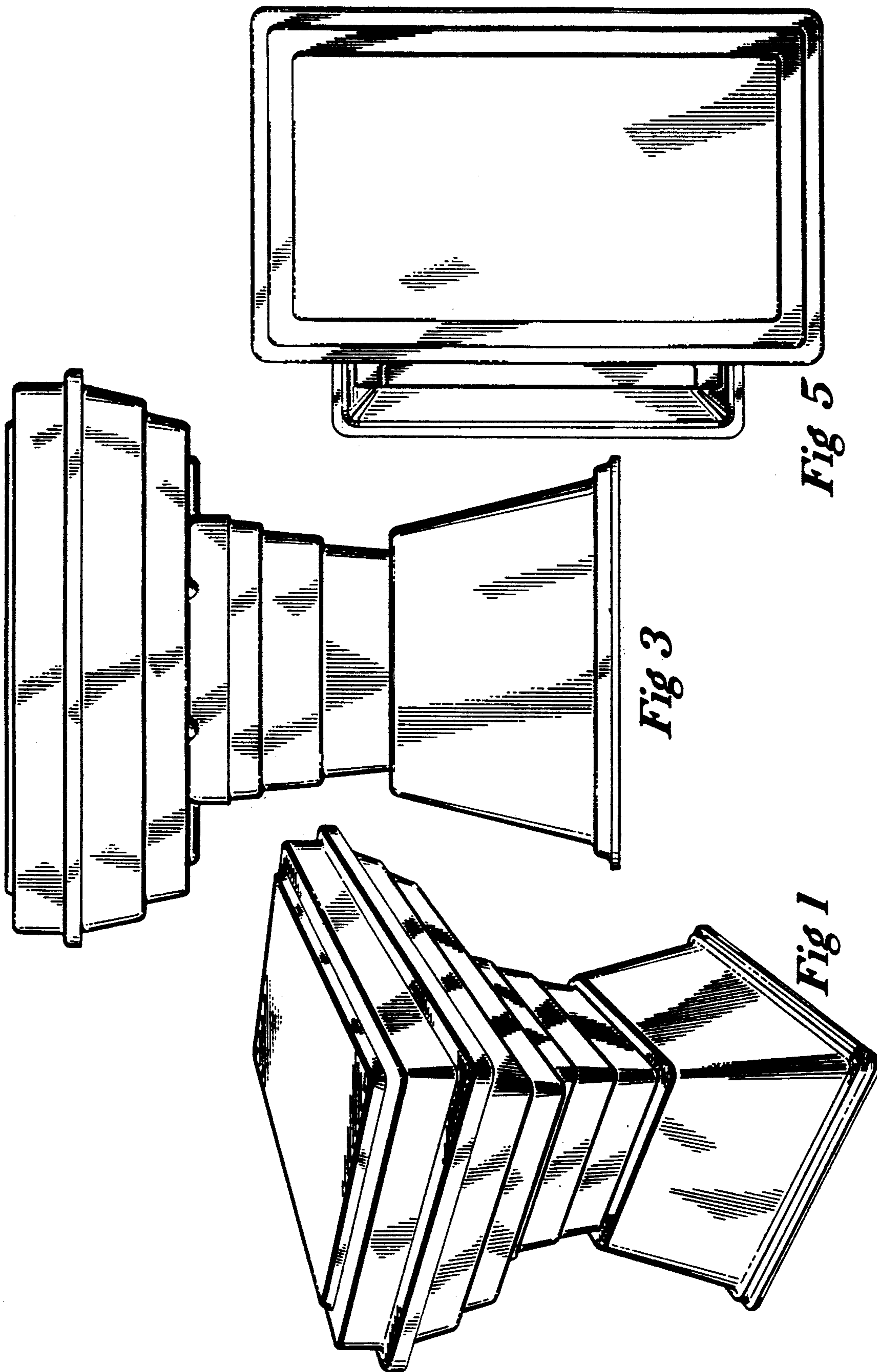
### [57] CLAIM

The ornamental design for a parts washer, as shown and described.

### DESCRIPTION

FIG. 1 is a top, front and left side perspective view of a parts washer showing my new design;  
FIG. 2 is a right side elevational view thereof, the left side being a mirror image;  
FIG. 3 is a front elevational view thereof;  
FIG. 4 is a rear elevational view thereof; and,  
FIG. 5 is a top plan thereof, the undisclosed bottom is unornamented.

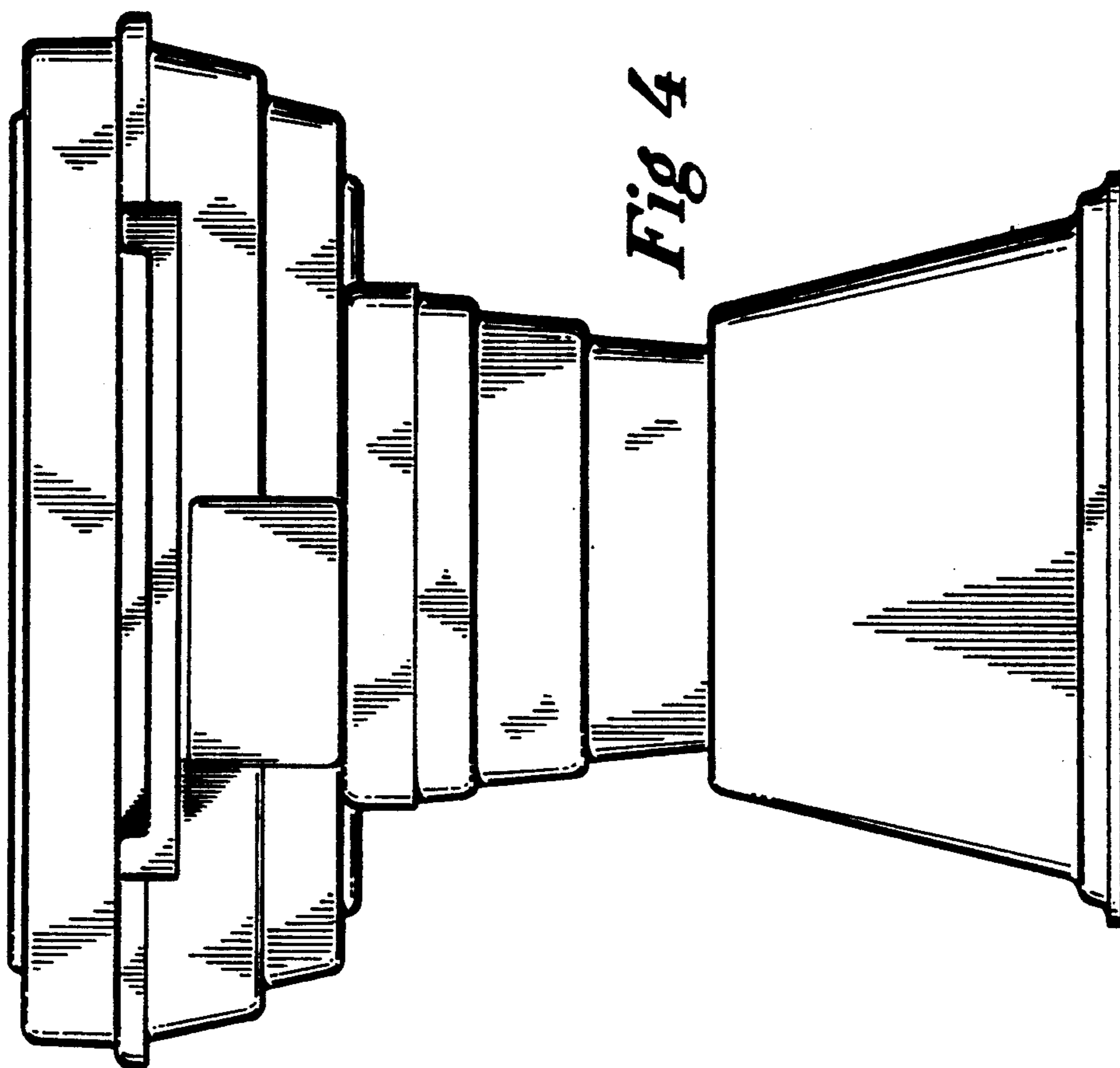




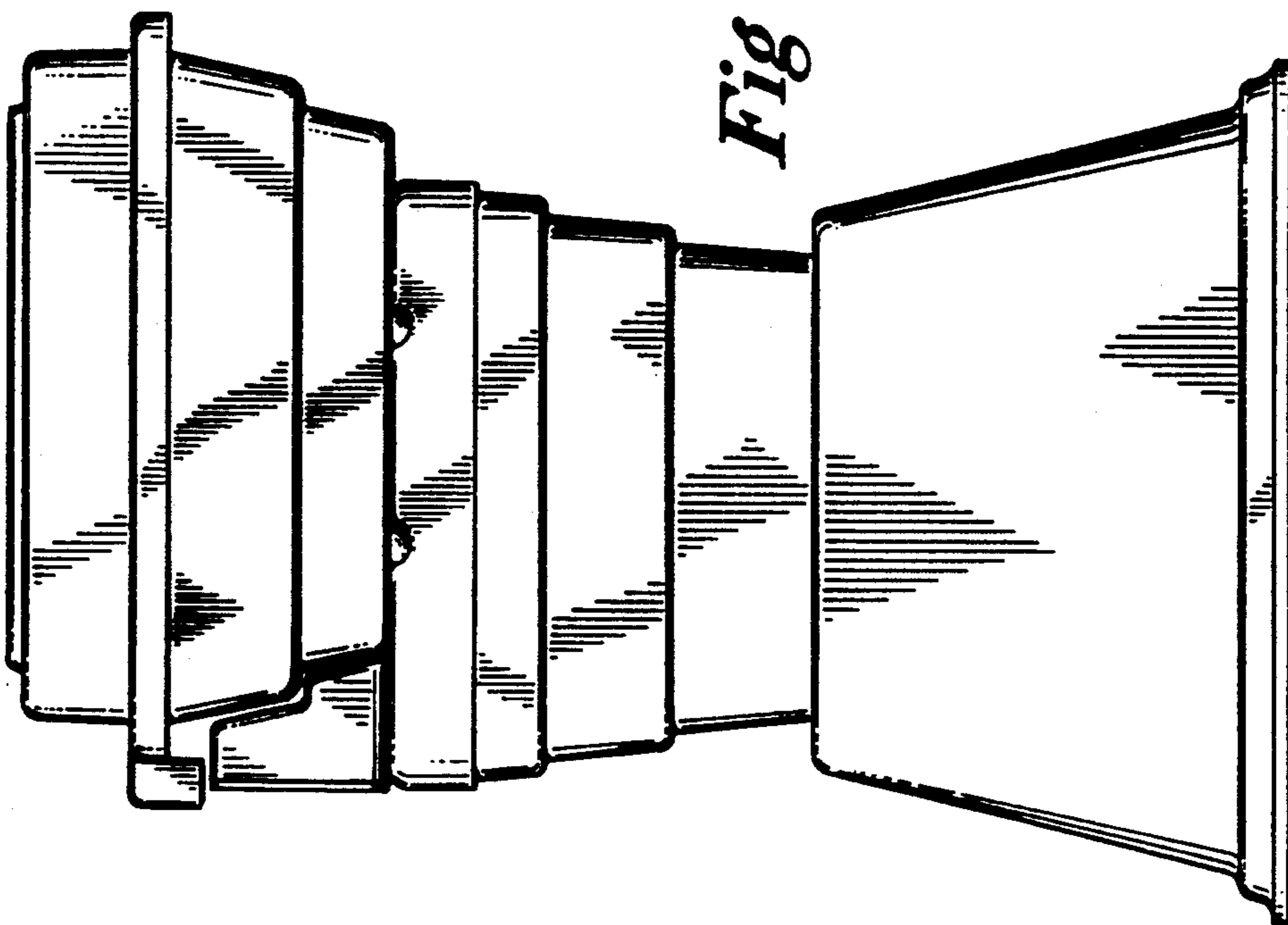
*Fig 5*

*Fig 3*

*Fig 1*



*Fig 4*



*Fig 2*