



US00D339660S

United States Patent [19]

Deckard, Jr.

[11] Patent Number: **Des. 339,660**

[45] Date of Patent: **** Sep. 21, 1993**

[54] **THROUGH WALL FITTING FOR FISH TANK**

[76] Inventor: **Elmer L. Deckard, Jr.**, 3915 San Luis St., Tampa, Fla. 33629

[**] Term: **14 Years**

[21] Appl. No.: **495,213**

[22] Filed: **Mar. 19, 1990**

[52] U.S. Cl. **D30/106; D22/136**

[58] Field of Search **D8/355, 356, 382, 385, D8/394, 396; 24/135 R, 135 A; D30/106; D22/136; D23/210, 365; D6/326; 43/55-57; 261/121.2**

4,166,086 8/1979 Wright 261/121.2
4,662,035 5/1987 Hatfield 24/135 R
4,677,785 7/1987 Lambourn 261/121.2

OTHER PUBLICATIONS

Fasteners Book Issue Mar. 21, 1963, p. 281, right side cap-captive screw.

Primary Examiner—Bernard Ansher
Assistant Examiner—Sandra Morris
Attorney, Agent, or Firm—Frijouf, Rust & Pyle

[57] CLAIM

The ornamental design for a through wall fitting for fish tank, as shown and described.

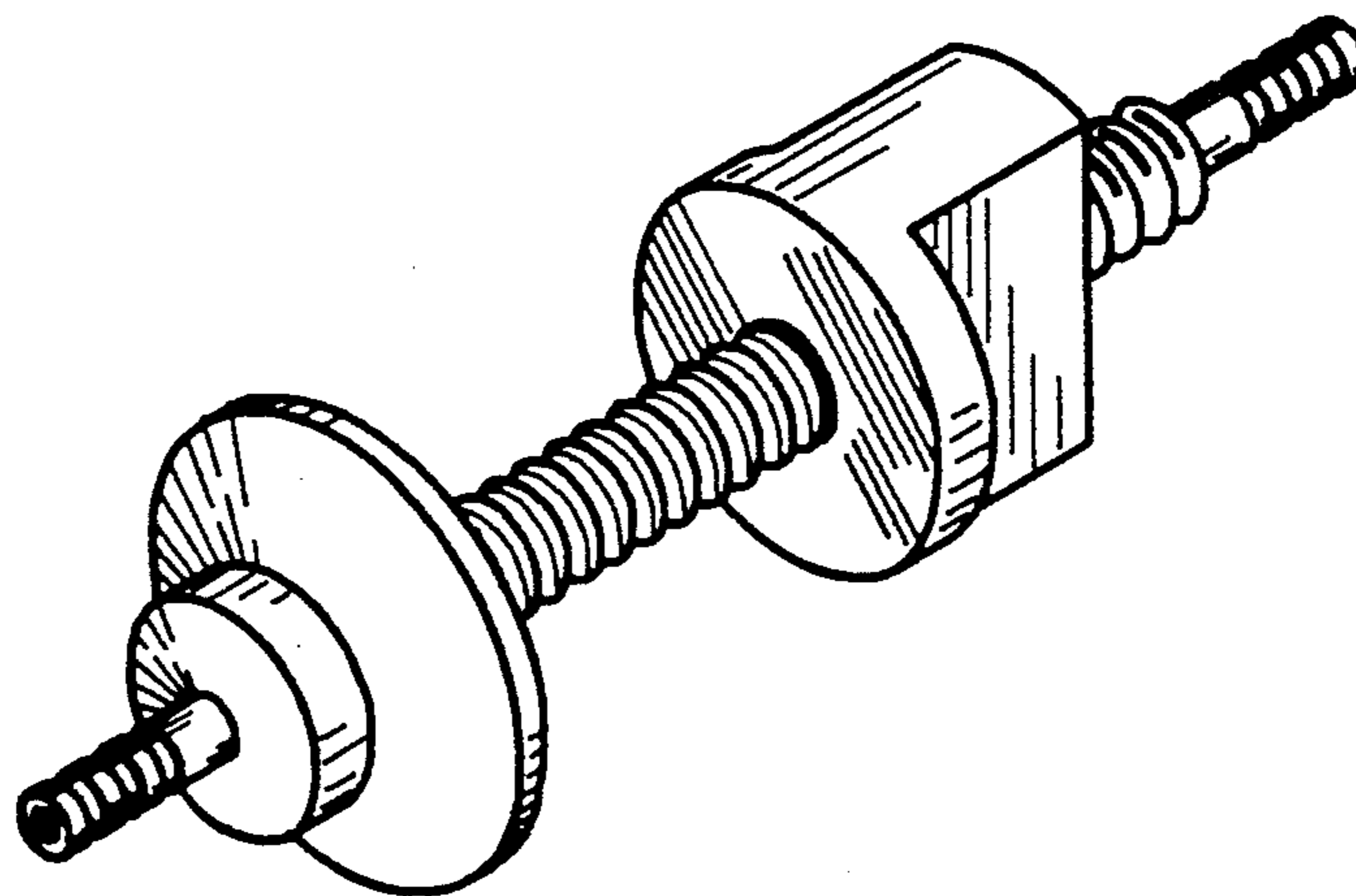
DESCRIPTION

FIG. 1 is a perspective view of a through wall fitting for fish tank showing my new design;
FIG. 2 is a front elevational view thereof;
FIG. 3 is a rear elevational view thereof;
FIG. 4 is a right side elevational view thereof, the left side being a mirror image; and,
FIG. 5 is a top plan view thereof, the bottom plan being a mirror image.

[56] References Cited

U.S. PATENT DOCUMENTS

D. 176,943	2/1956	Edmonds et al.	D22/136
D. 254,503	3/1980	Belasquez	D22/136
D. 271,375	11/1983	Baroody	D8/396
D. 277,749	2/1985	Todd	D8/396
2,512,936	6/1950	Harrison	43/57
2,552,173	8/1946	Hocher	24/135 A
3,972,145	8/1976	Key	43/57



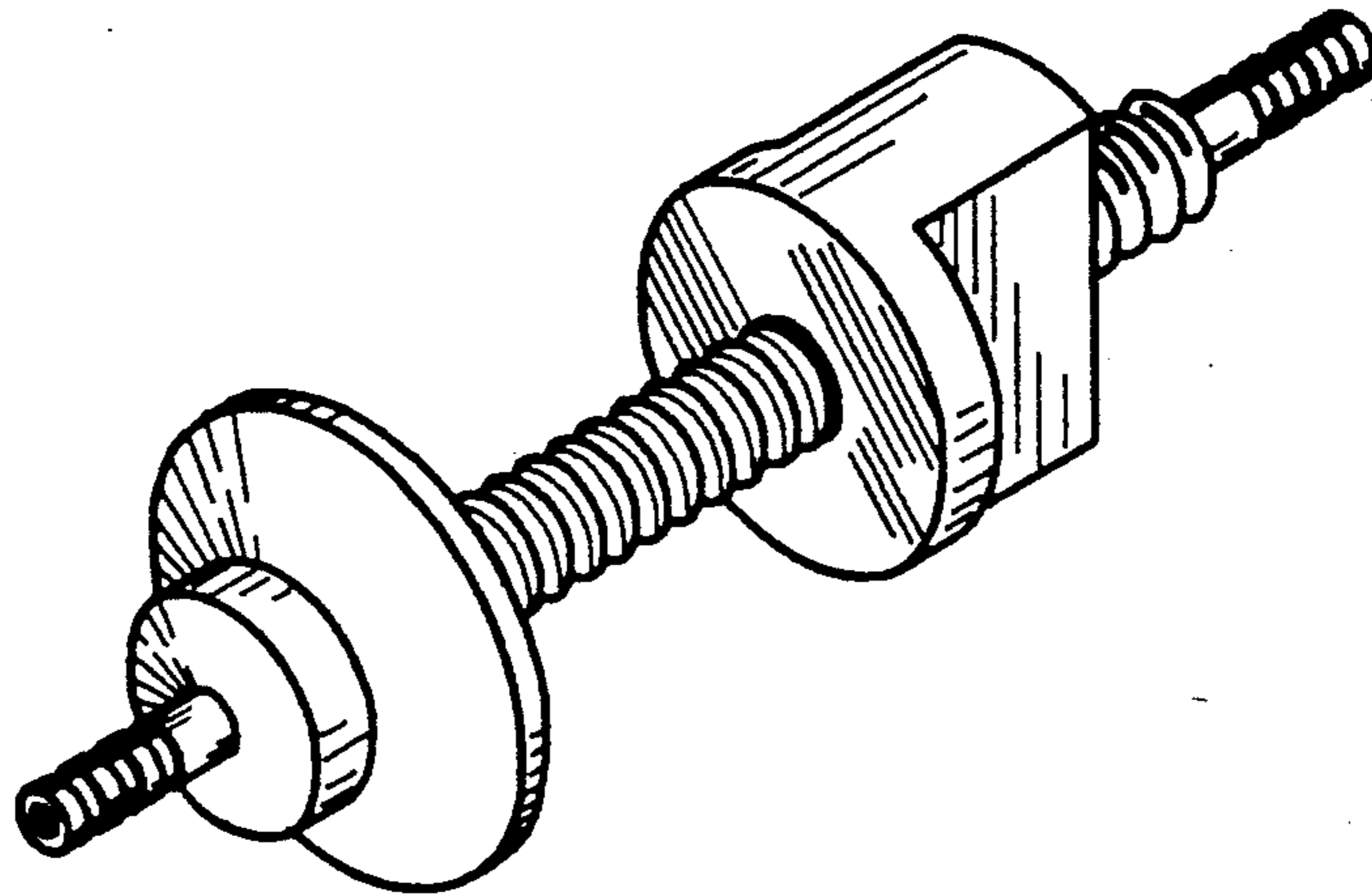


FIG. 1

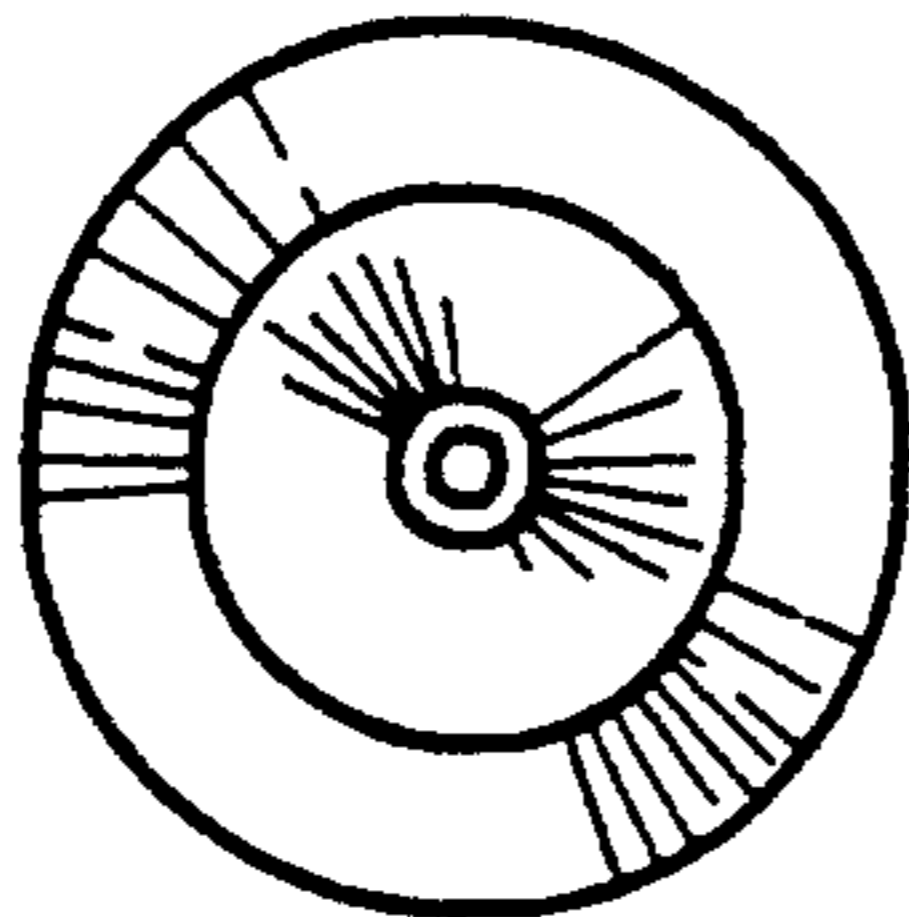


FIG. 2

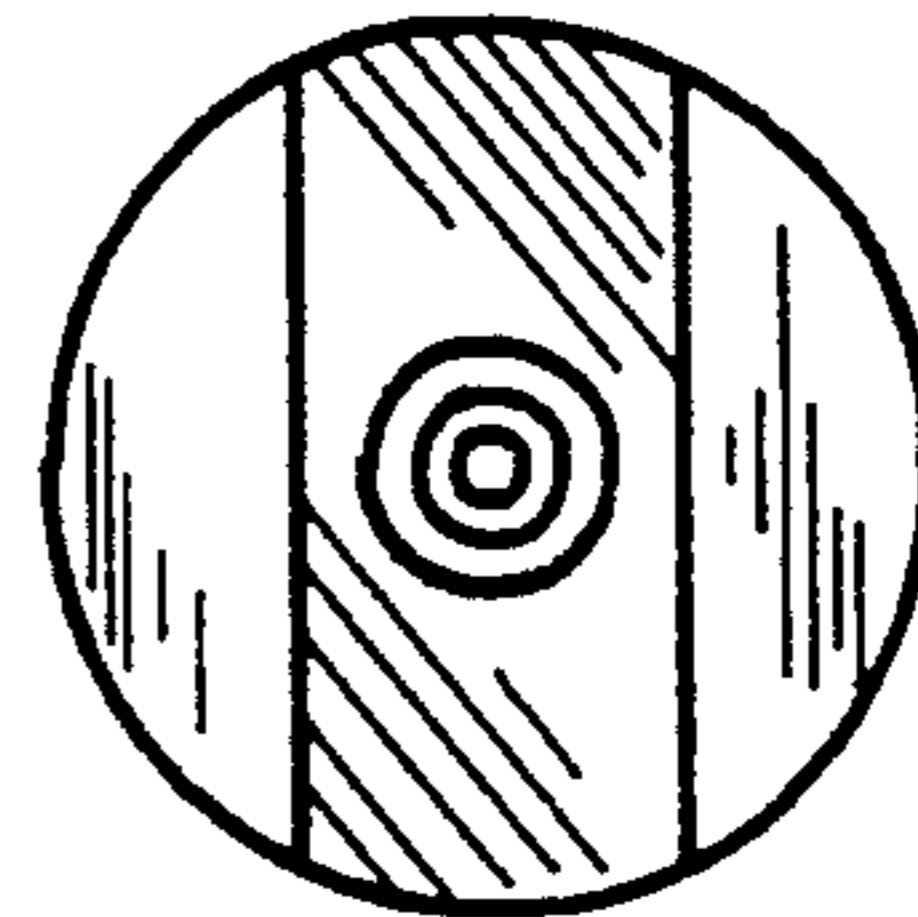


FIG. 3

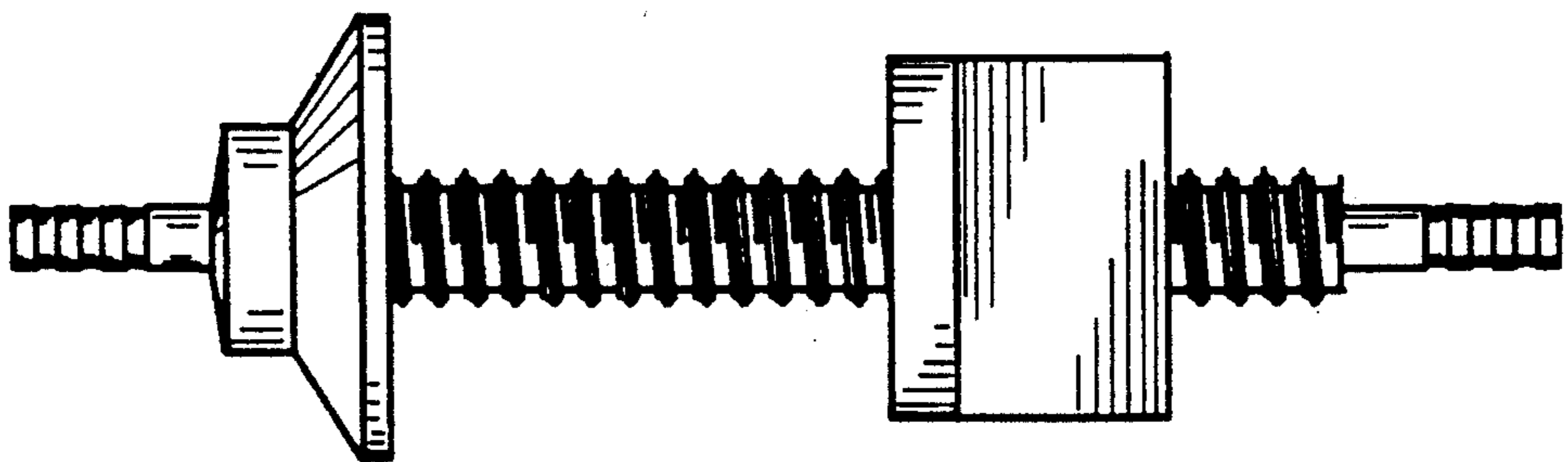


FIG. 4

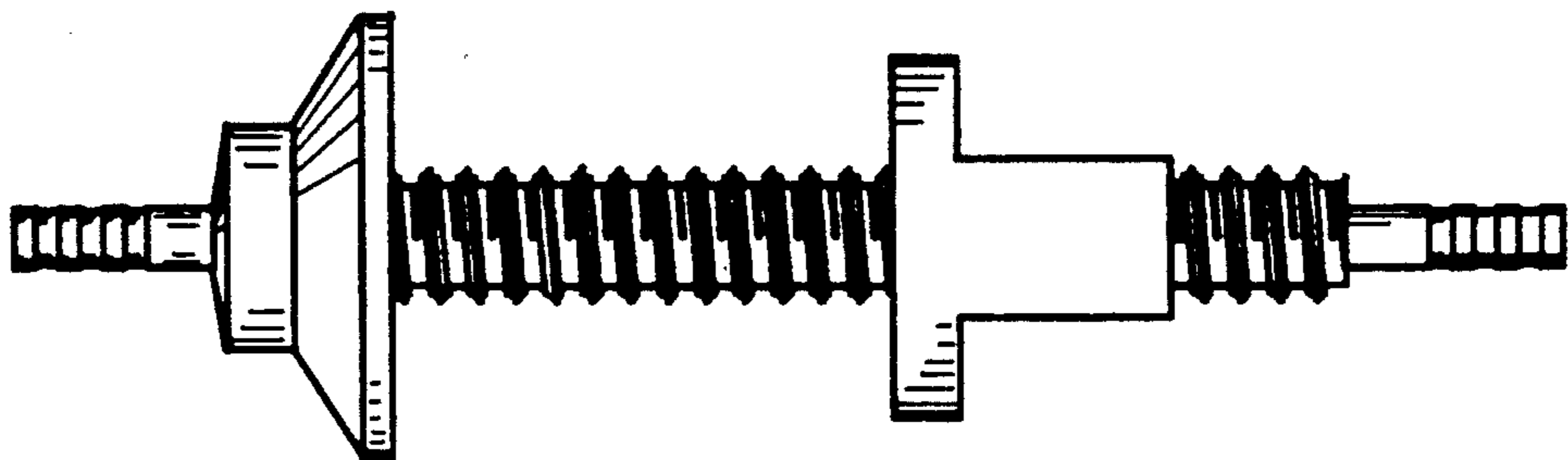


FIG. 5