



US00D339653S

# United States Patent [19]

[11] Patent Number: **Des. 339,653**

Porter

[45] Date of Patent: **\*\* Sep. 21, 1993**

[54] **LAMP SHADE**

3,757,110 9/1973 Soboleski ..... 362/360  
4,541,038 9/1985 Van Noord ..... 362/351

[75] Inventor: **David Porter, Chagrin Falls, Ohio**

### OTHER PUBLICATIONS

[73] Assignee: **The L. D. Kichler Co., Cleveland, Ohio**

Kichler Lighting Catalog, No. 791, pp. 48-55, Jul. 1991.

[\*\*] Term: **14 Years**

*Primary Examiner*—Susan J. Lucas  
*Attorney, Agent, or Firm*—Watts, Hoffmann, Fisher & Heinke

[21] Appl. No.: **814,994**

### [57] CLAIM

[22] Filed: **Jan. 8, 1992**

The ornamental design for a lamp shade, as shown and described.

[52] U.S. Cl. .... **D26/130; D26/91**

[58] Field of Search ..... **D26/72, 80-92; 362/147, 404-408, 360, 363, 330, 332, 351, 352**

### DESCRIPTION

[56] **References Cited**

FIG. 1 is a perspective view of a lamp shade showing my new design;

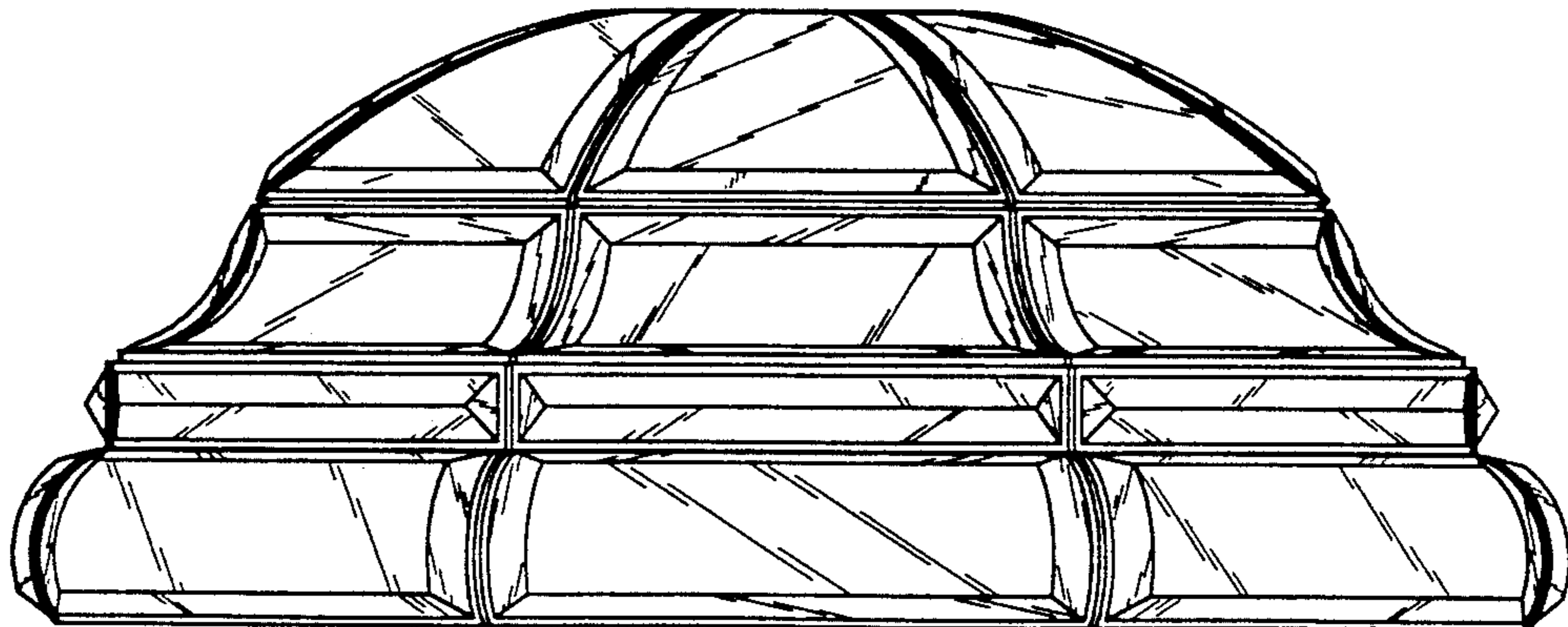
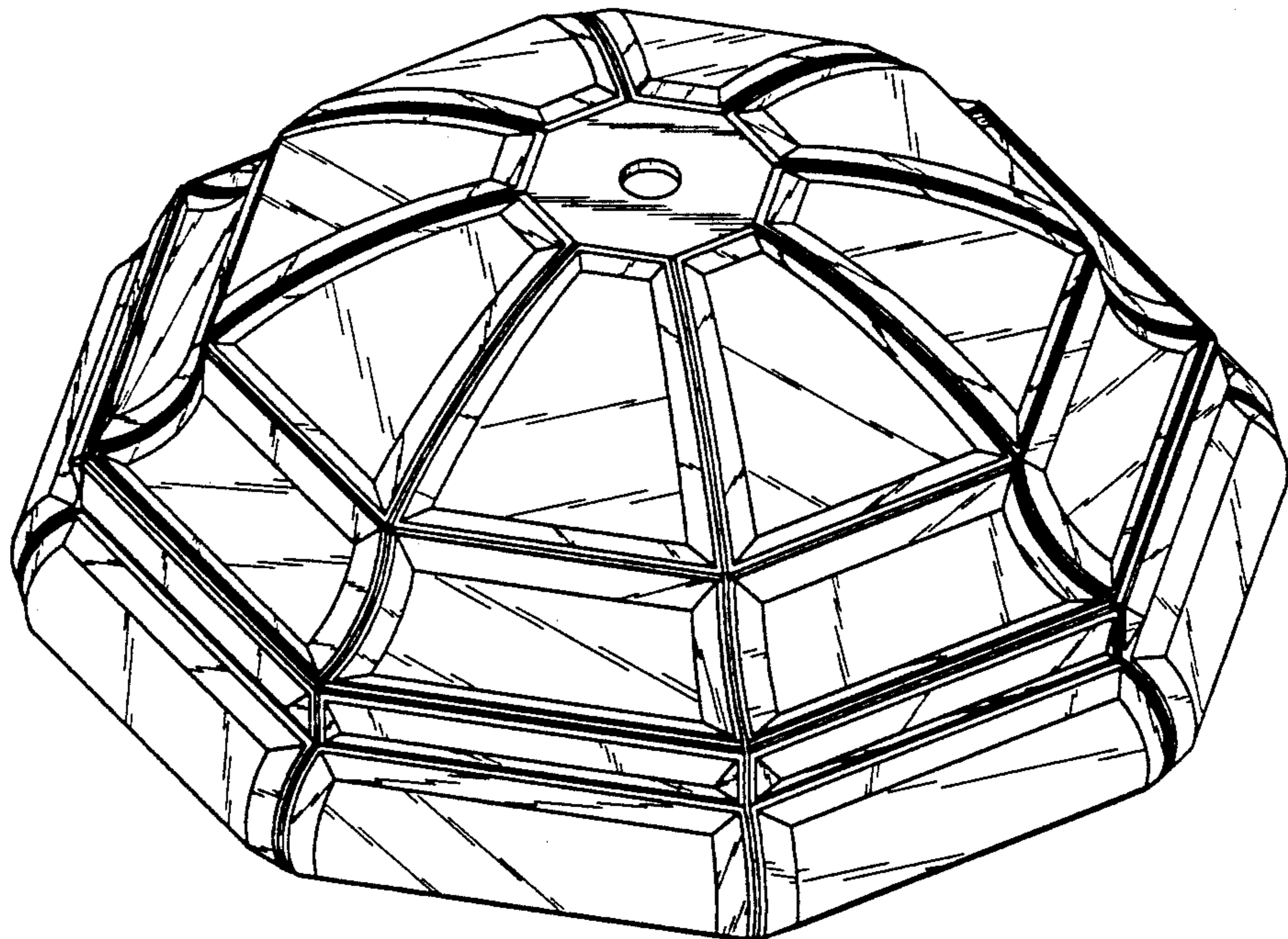
FIG. 2 is a front elevational view thereof, the rear and sides being identical;

FIG. 3 is a top plan view thereof; and,

FIG. 4 is a bottom plan view thereof.

### U.S. PATENT DOCUMENTS

D. 251,871 5/1979 Horn ..... D26/91  
D. 312,320 11/1990 Porter ..... D26/136  
D. 315,809 3/1991 Schoenfeld ..... D26/130



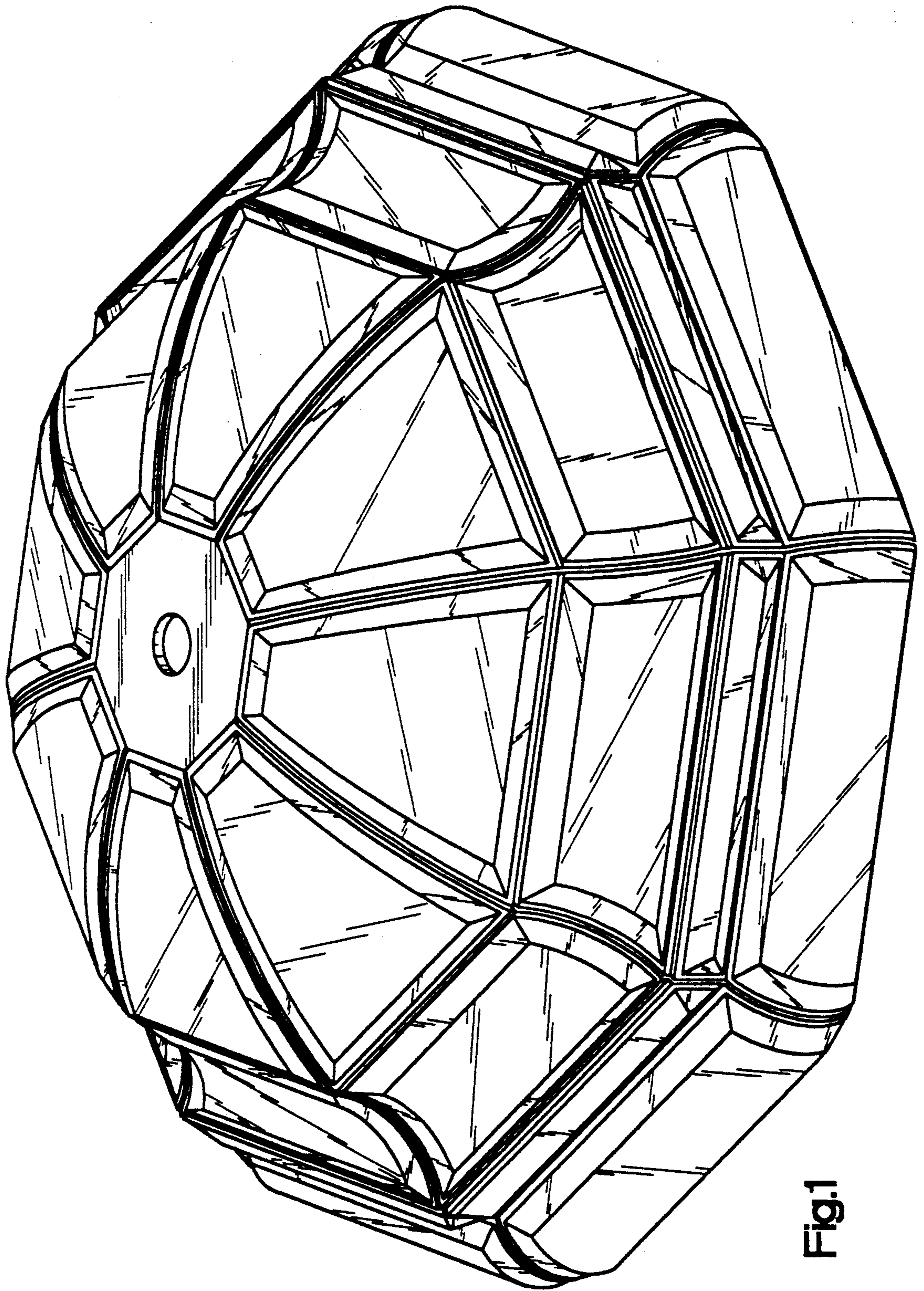


Fig. 1

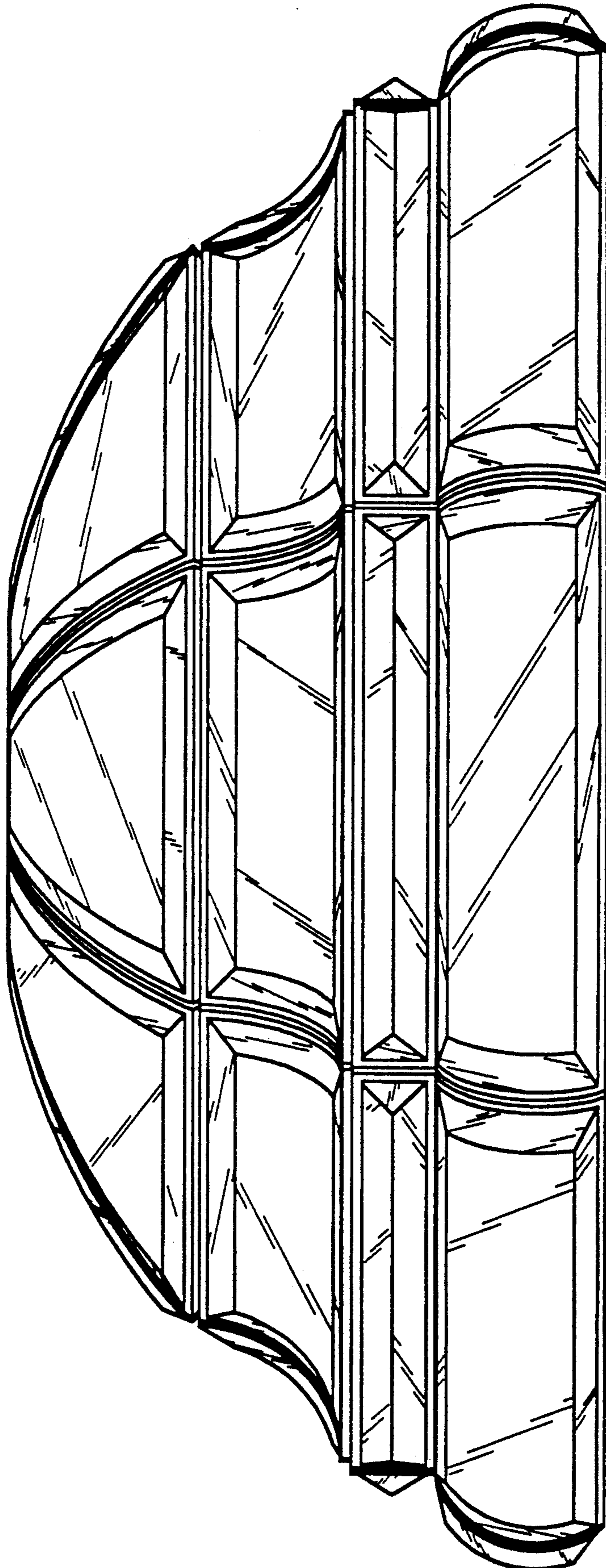


Fig.2

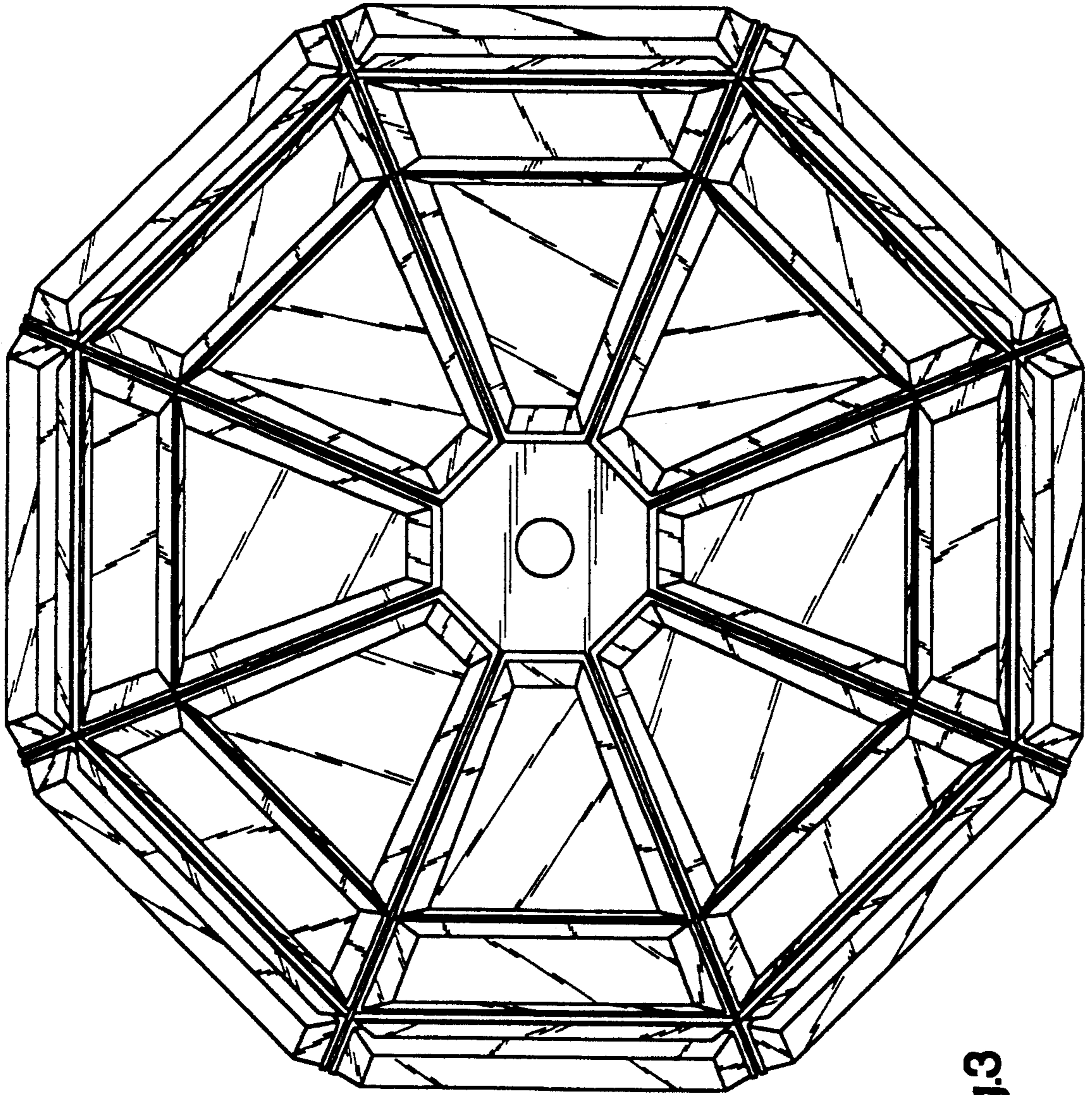


Fig.3

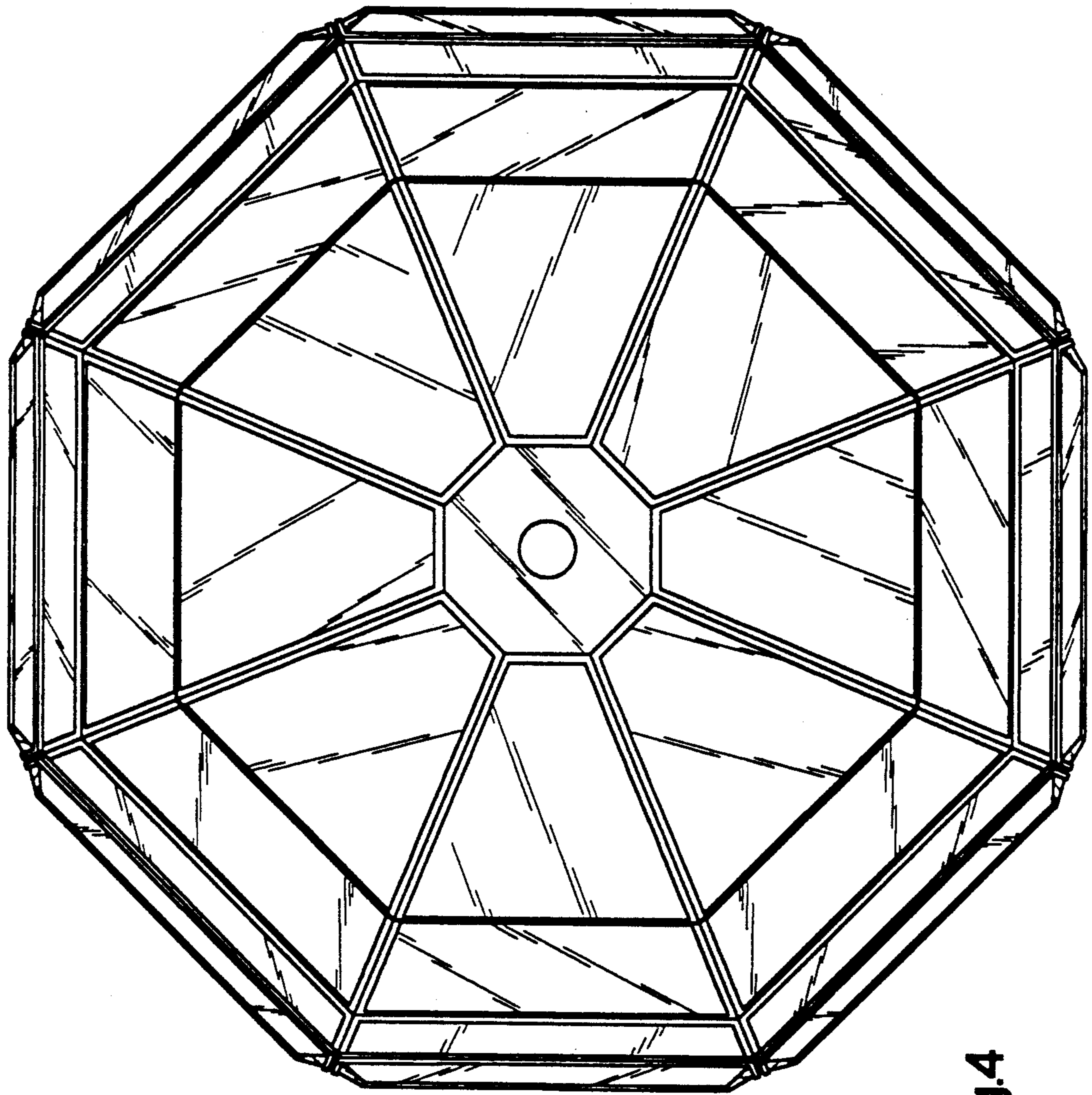


Fig.4