



US00D339651S

United States Patent [19]

[11] Patent Number: **Des. 339,651**

Vieyra

[45] Date of Patent: **** Sep. 21, 1993**

[54] **SUSPENDED LIGHTING FIXTURE**

4,342,073 7/1982 Ranzen 362/147 X

[75] Inventor: **Manny Vieyra, Los Angeles, Calif.**

OTHER PUBLICATIONS

[73] Assignee: **Forecast Lighting Co., Inglewood, Calif.**

Design, Jul. 1984, p. 23, Astaire Pendant Lighting Fixture.

[**] Term: **14 Years**

Primary Examiner—Susan J. Lucas
Attorney, Agent, or Firm—Brown, Martin, Haller & McClain

[21] Appl. No.: **839,494**

[22] Filed: **Feb. 20, 1992**

[52] U.S. Cl. **D26/84; D26/86**

[58] Field of Search **D26/72, 80-92; 362/147, 404-408, 96**

[57] CLAIM

The ornamental design for a suspended lighting fixture, as shown and described.

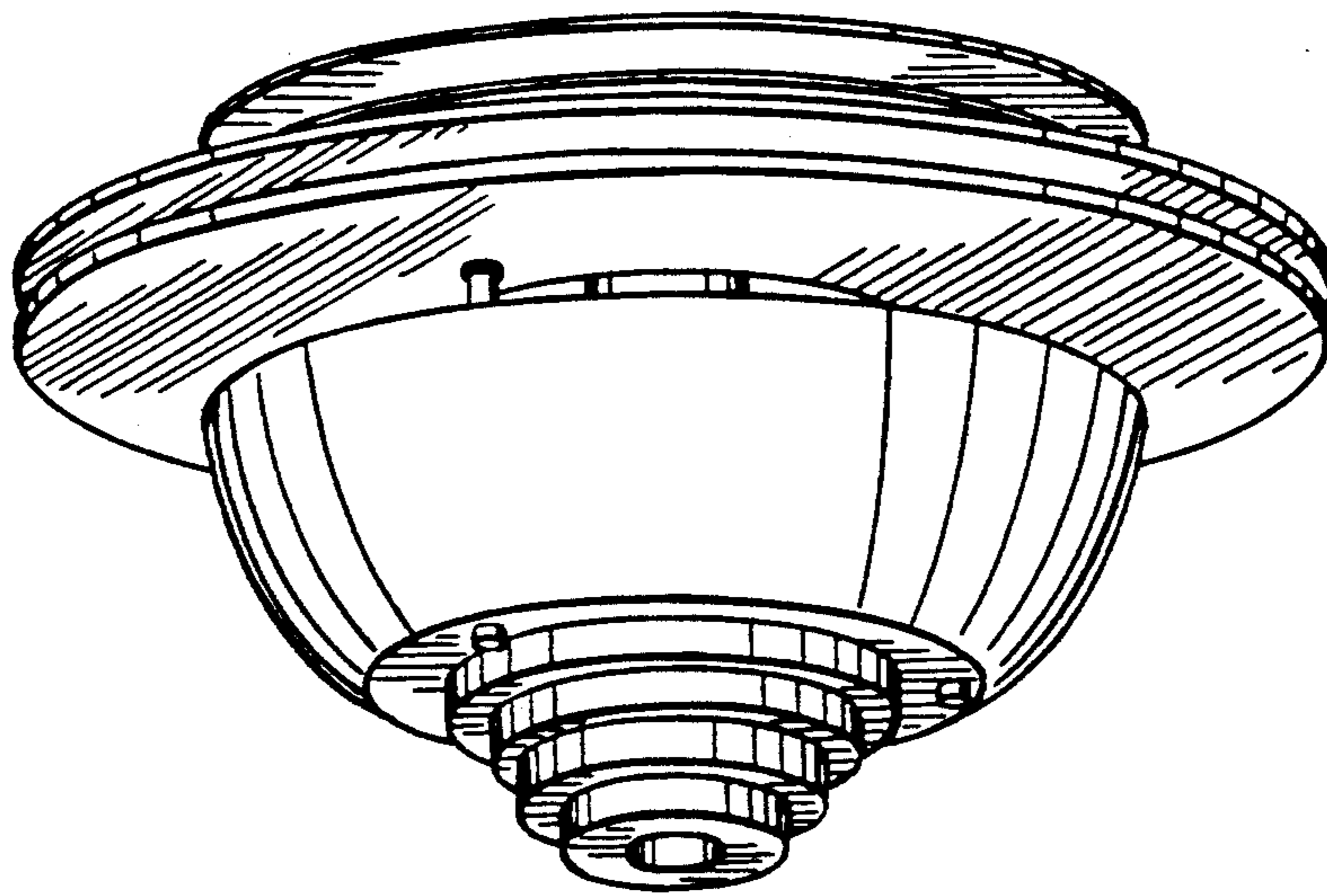
[56] References Cited

U.S. PATENT DOCUMENTS

- D. 110,639 7/1938 Guth D26/86
- D. 112,843 1/1939 Manning D26/86
- D. 120,266 4/1940 Kurth et al. D26/85
- D. 132,865 6/1942 Drollinger D26/88 X

DESCRIPTION

FIG. 1 is a perspective view from below of a suspended lighting fixture, showing my new design;
 FIG. 2 is a side elevational view thereof, the opposite side being similar;
 FIG. 3 is a bottom plan view thereof; and,
 FIG. 4 is a top plan view thereof.



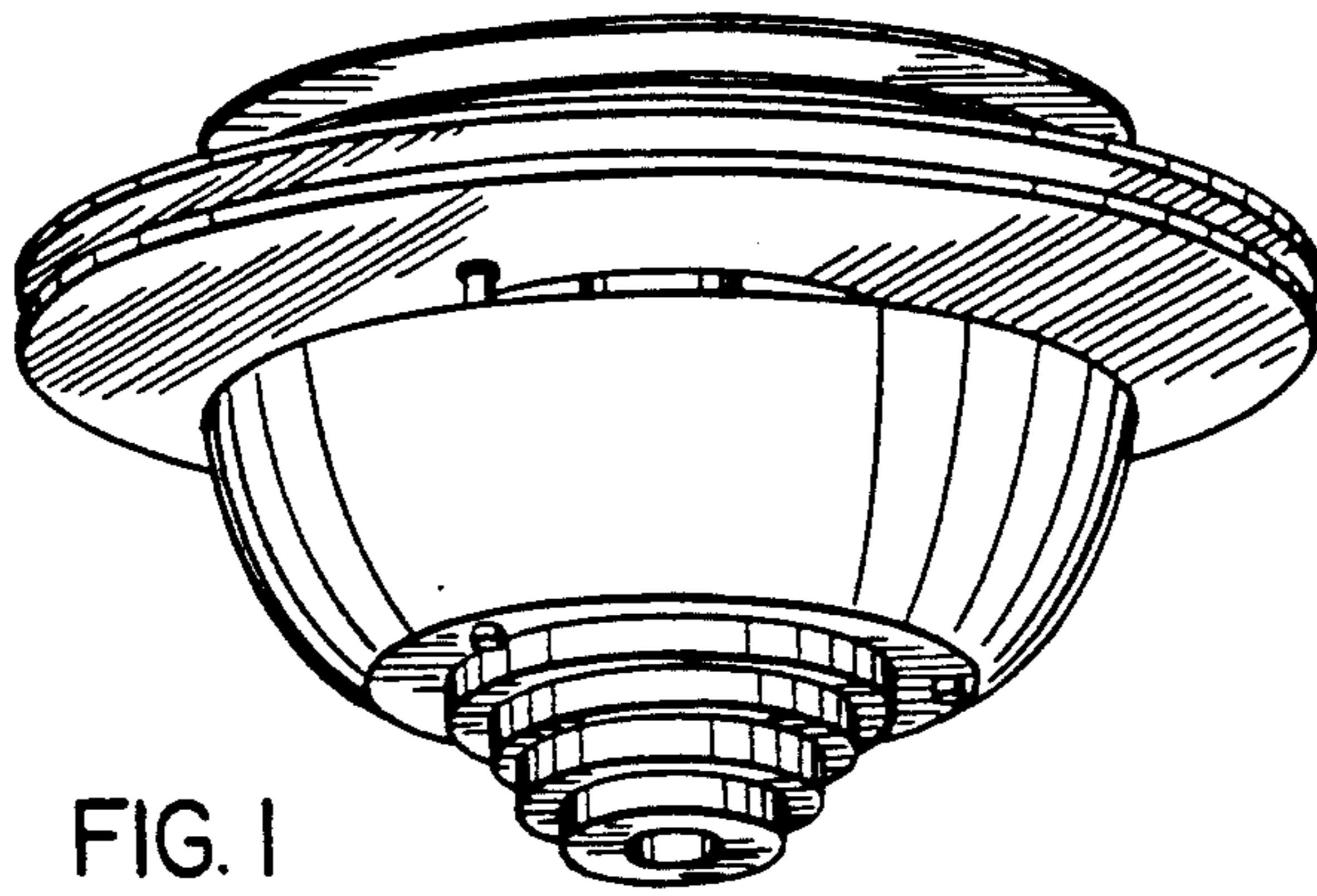


FIG. 1

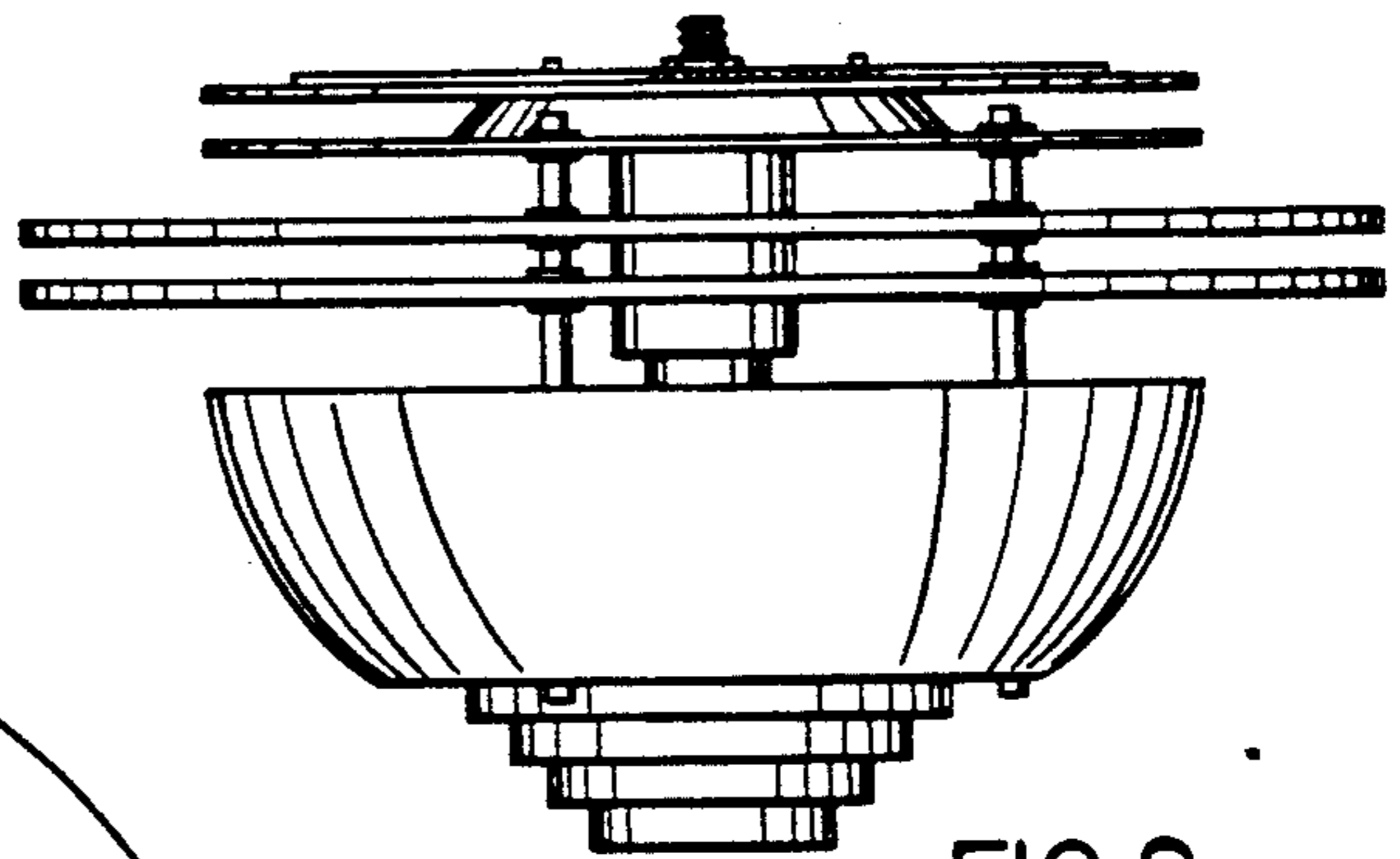


FIG. 2

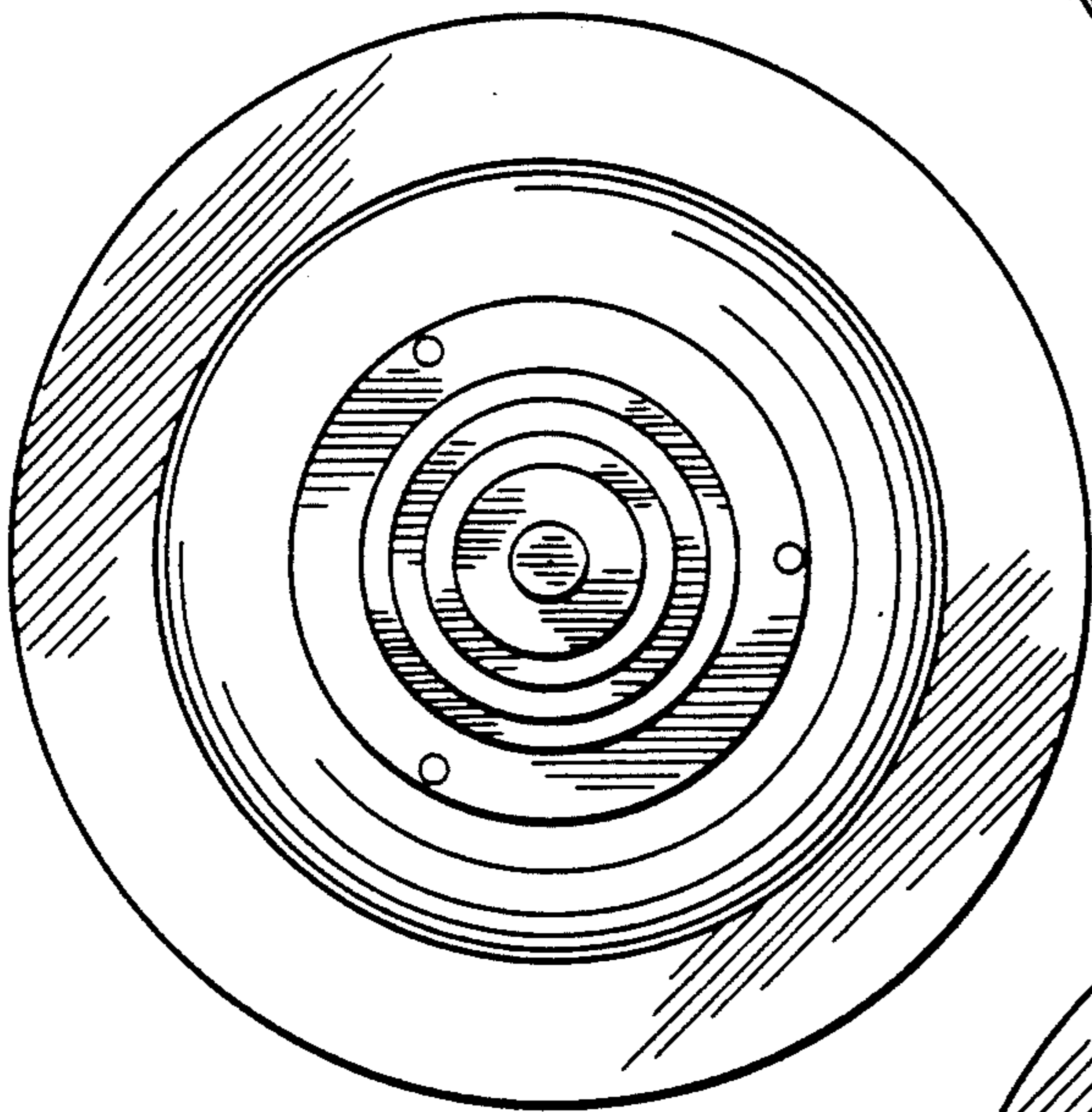


FIG. 3

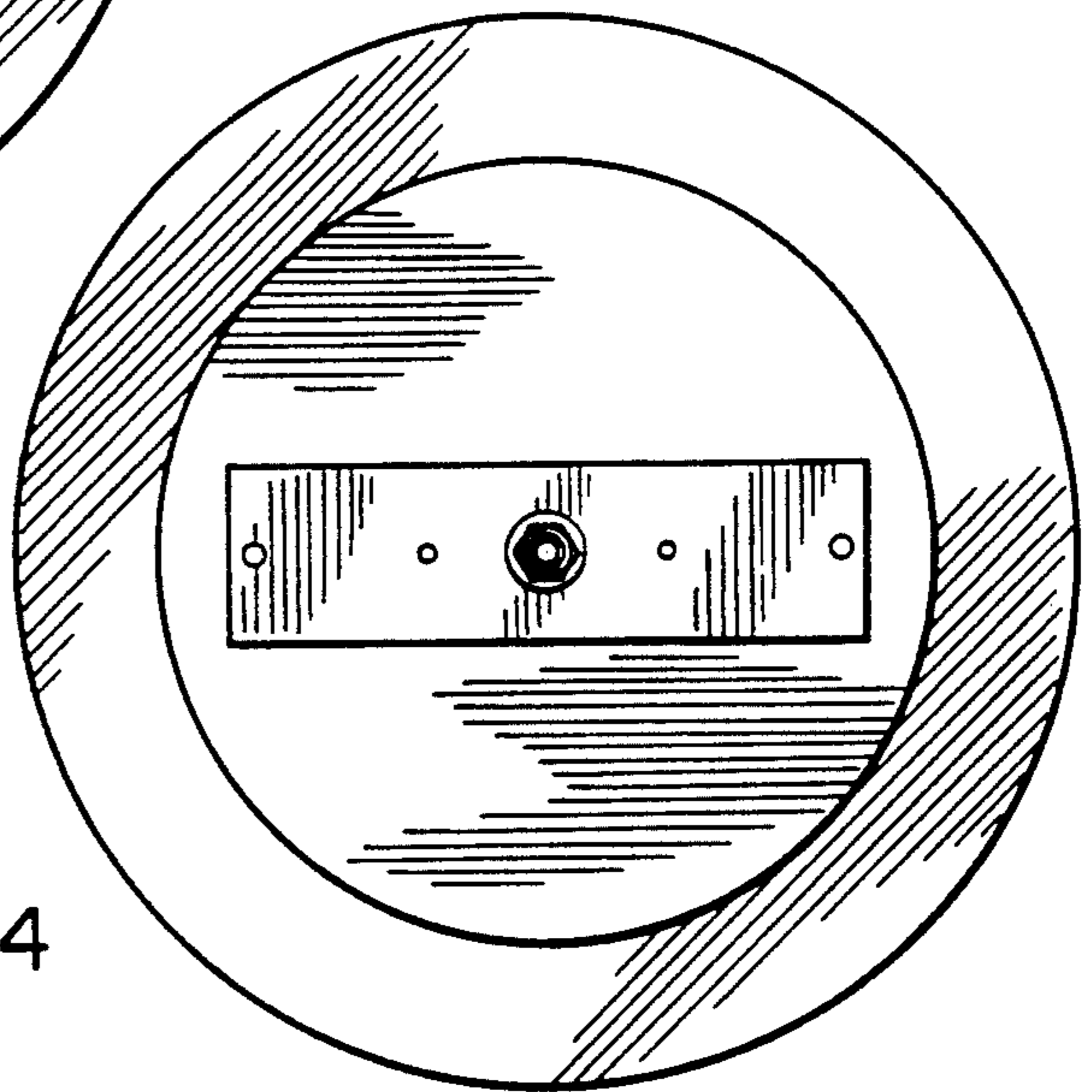


FIG. 4