



US00D339648S

# United States Patent [19]

[11] Patent Number: Des. 339,648

Wen-Yung

[45] Date of Patent: \*\* Sep. 21, 1993

## [54] COMBINED ADJUSTABLE DESK LAMP AND DESK ORGANIZER

[76] Inventor: Lin Wen-Yung, 2F, No. 33, Sin Yi St., Sun Chung City, Taipei Hsien, Taiwan

[\*\*] Term: 14 Years

[21] Appl. No.: 759,088

[22] Filed: Sep. 13, 1991

[52] U.S. Cl. .... D26/51; D19/75; D19/92; D26/64

[58] Field of Search ..... D26/61-66, D26/51; 362/269, 275, 410, 413, 418, 419, 427; D19/75, 77, 78, 92

### [56] References Cited

#### U.S. PATENT DOCUMENTS

D. 250,854	1/1979	Heinrich	.....	D26/65
D. 253,898	1/1980	Cross	.....	D19/77
D. 285,392	9/1986	Thompson	.....	D19/75 X
D. 305,246	12/1989	Kirchhoff	.....	D19/77 X

### OTHER PUBLICATIONS

Murray Feiss Import Corp. "Litechips"® Lamp Catalog, Jan. 1988, p. 5, Combined Lamp & Desk Organizer.

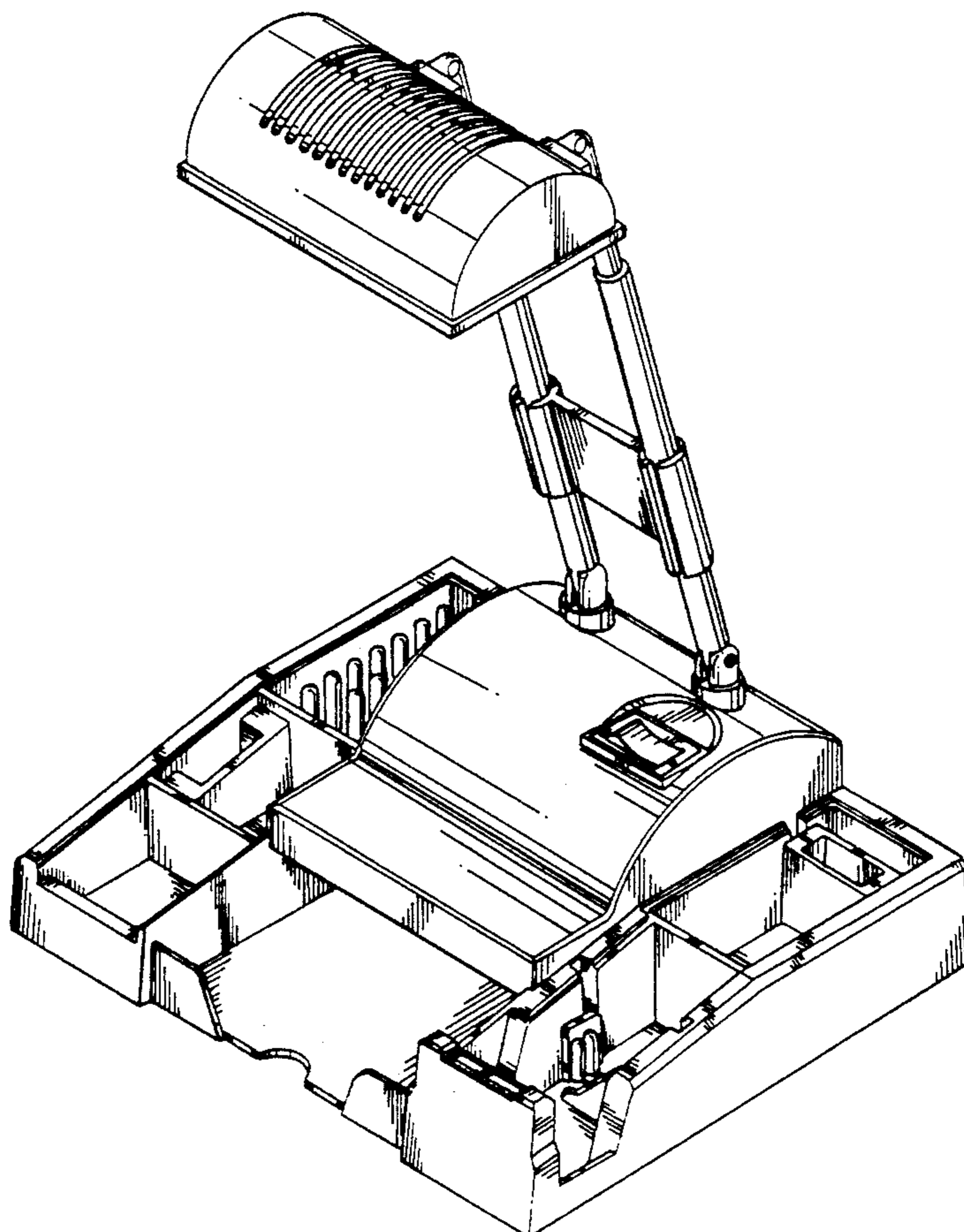
Primary Examiner—Susan J. Lucas  
Attorney, Agent, or Firm—Lowe, Price, LeBlanc & Becker

### [57] CLAIM

The ornamental design for a combined adjustable desk lamp and desk organizer, as shown and described.

### DESCRIPTION

FIG. 1 is a perspective view of the combined adjustable desk lamp and desk organizer showing my design; FIG. 2 is a front elevational view thereof on an enlarged scale; FIG. 3 is a rear elevational view thereof on an enlarged scale; FIG. 4 is a left side elevational view thereof on an enlarged scale; FIG. 5 is a right side elevational view thereof on an enlarged scale; FIG. 6 is a top plan view thereof on an enlarged scale; and, FIG. 7 is a bottom plan view thereof on an enlarged scale.



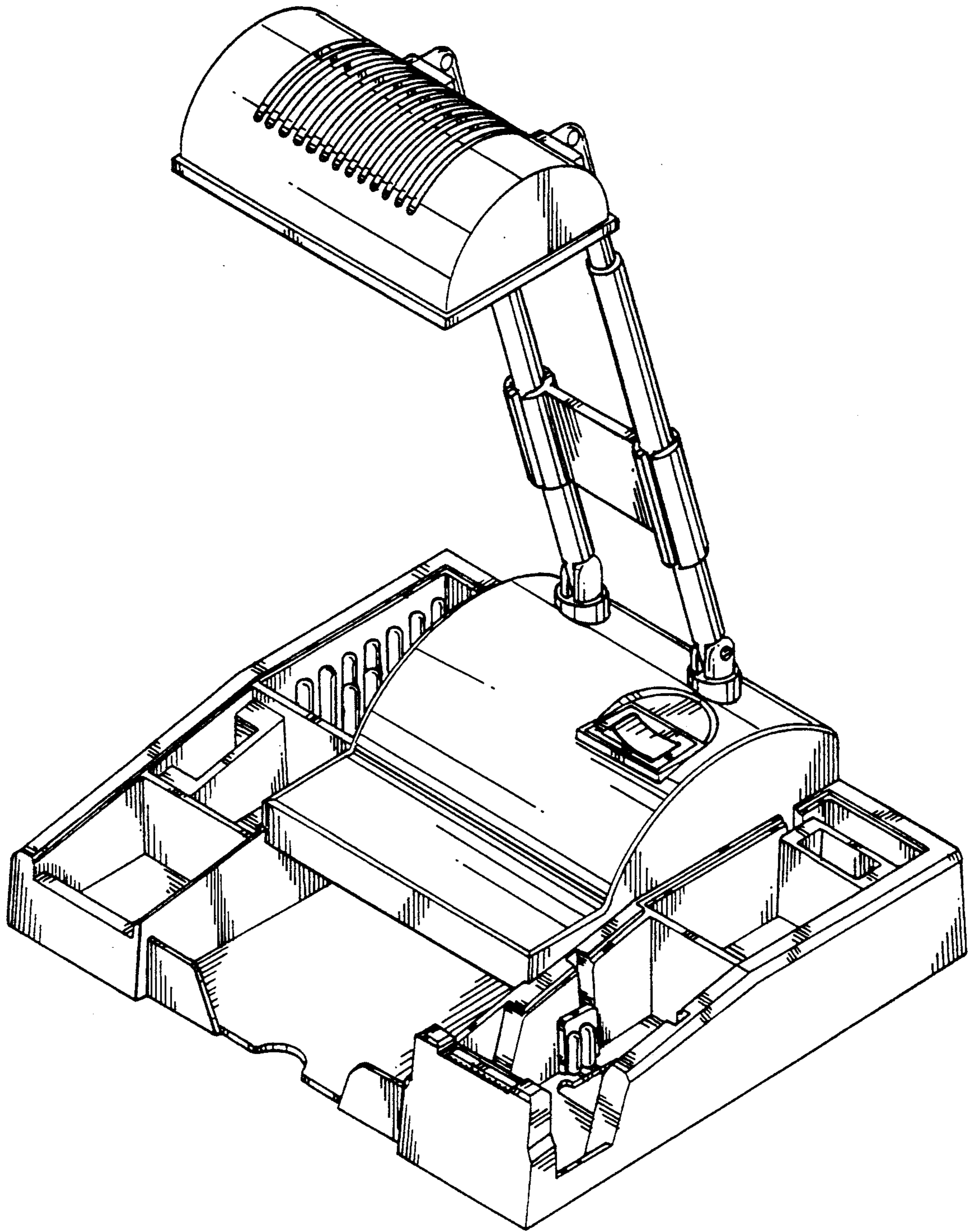


FIG.1

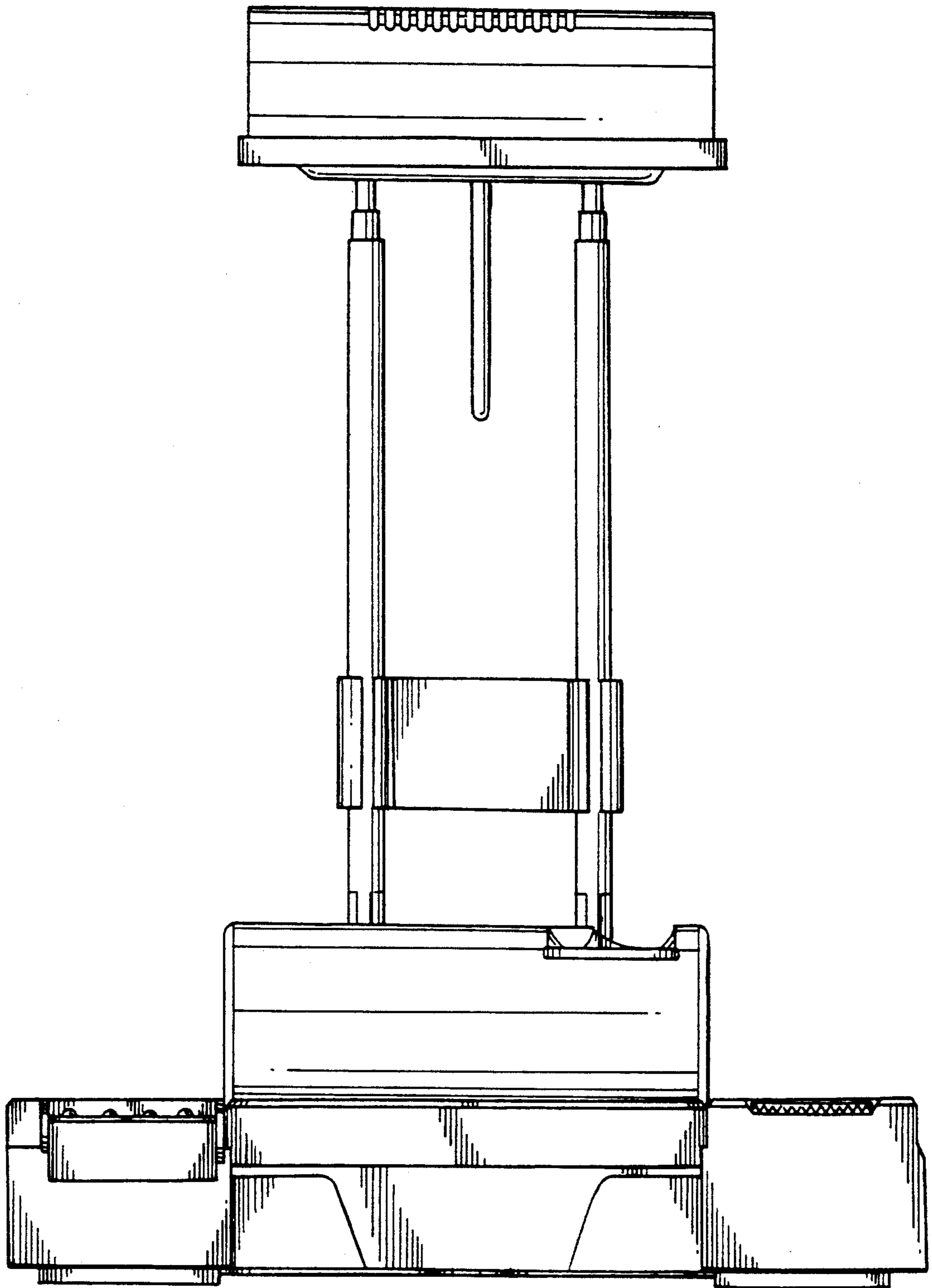


FIG. 2



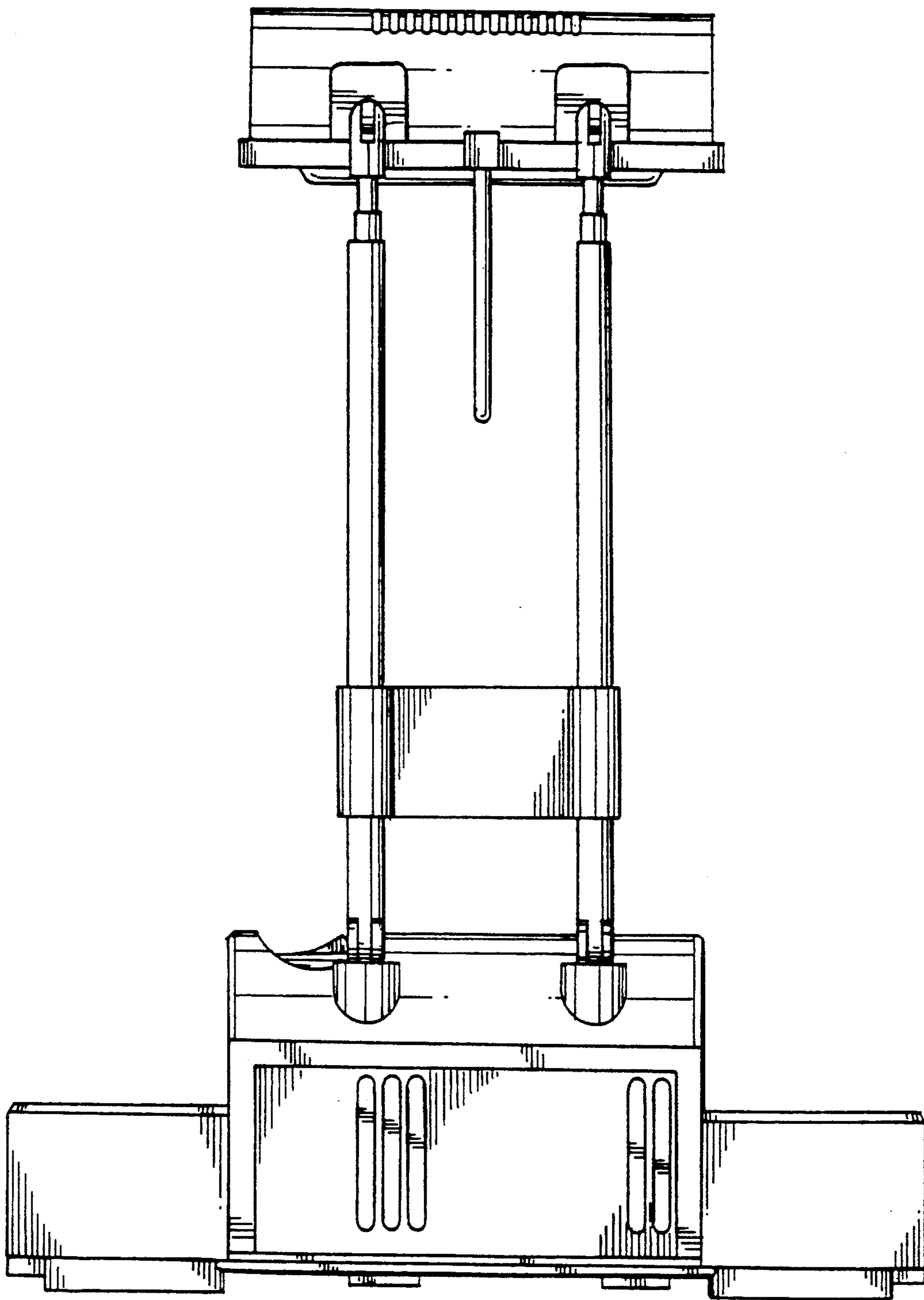


FIG. 3

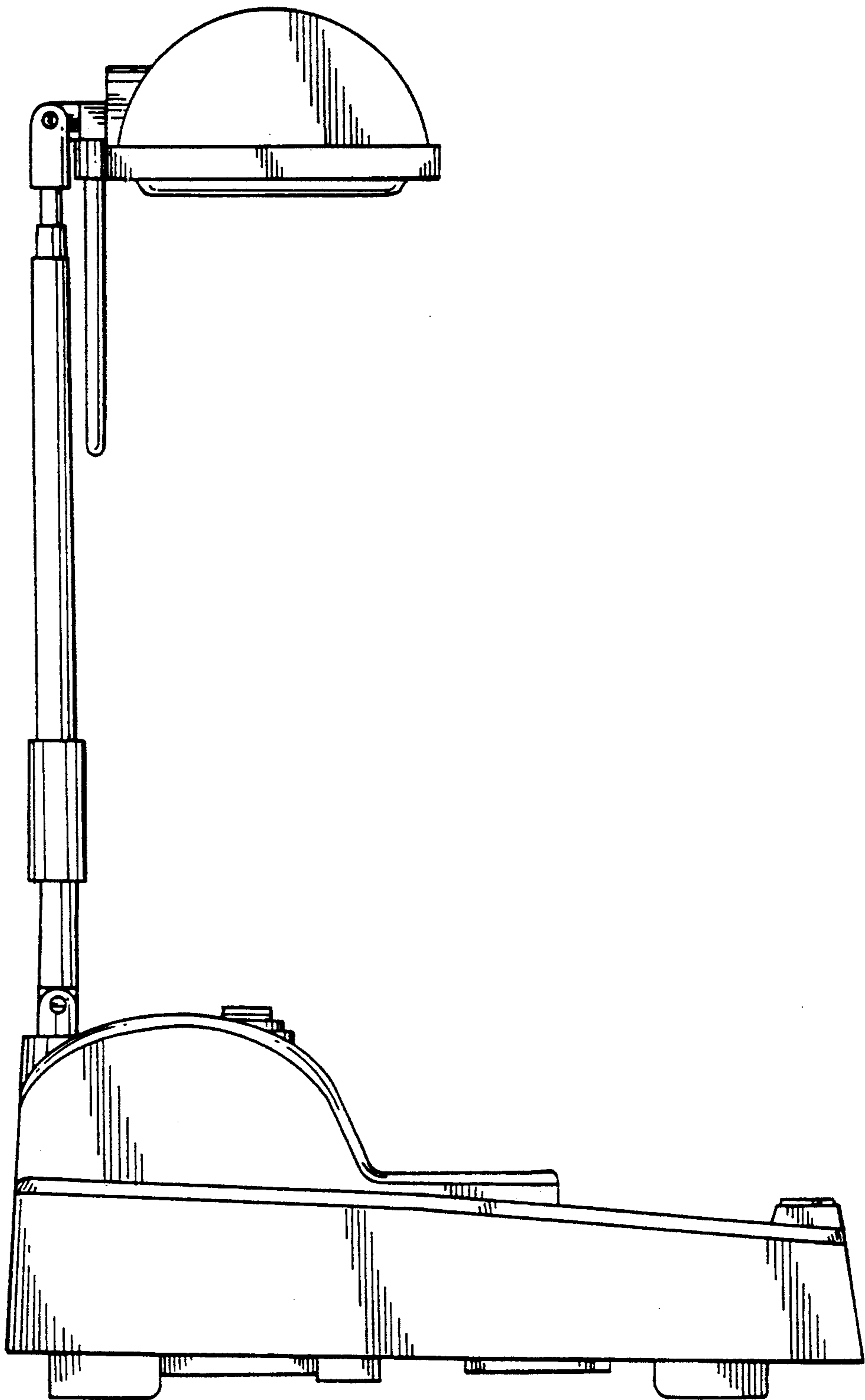


FIG. 4

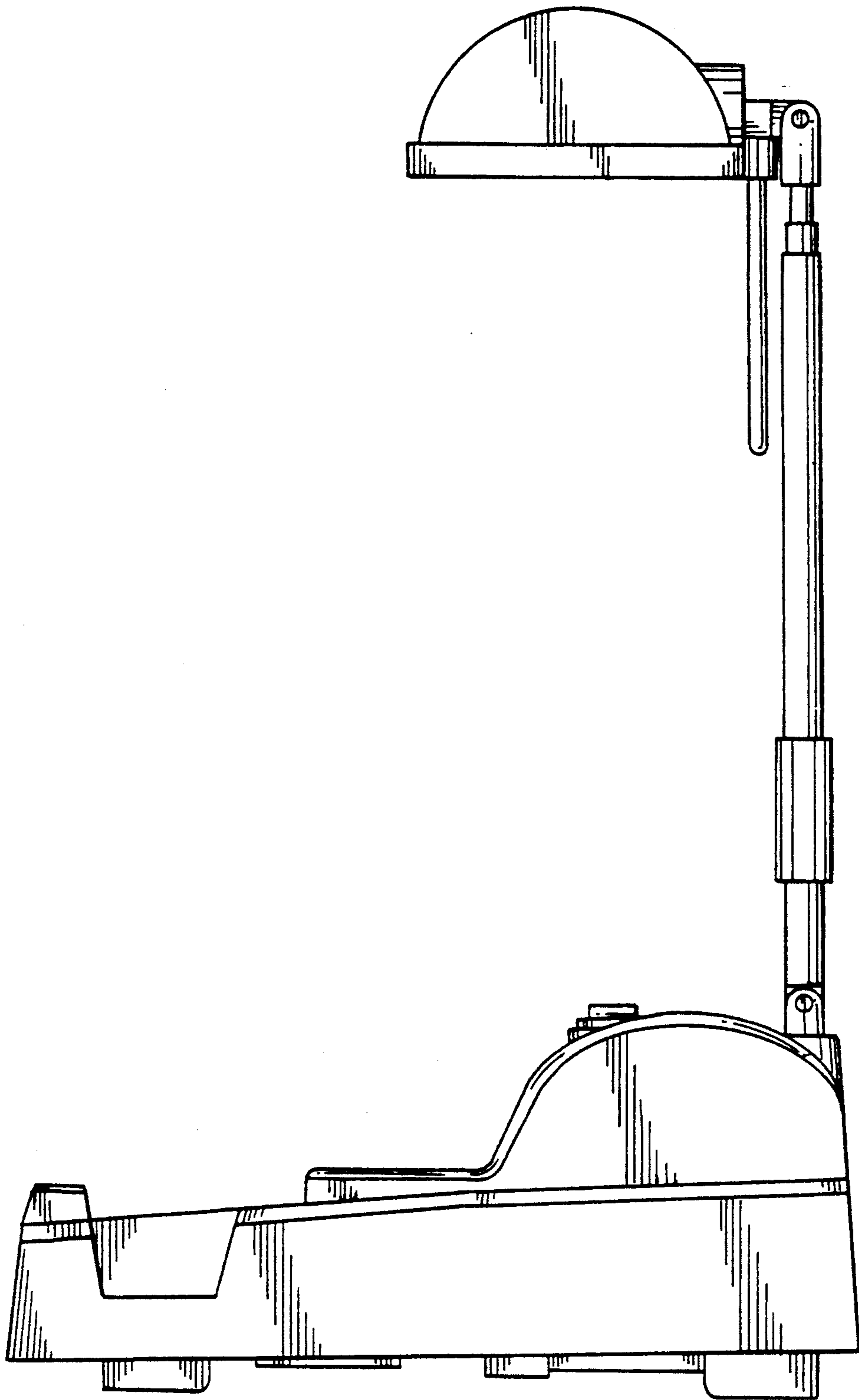


FIG. 5

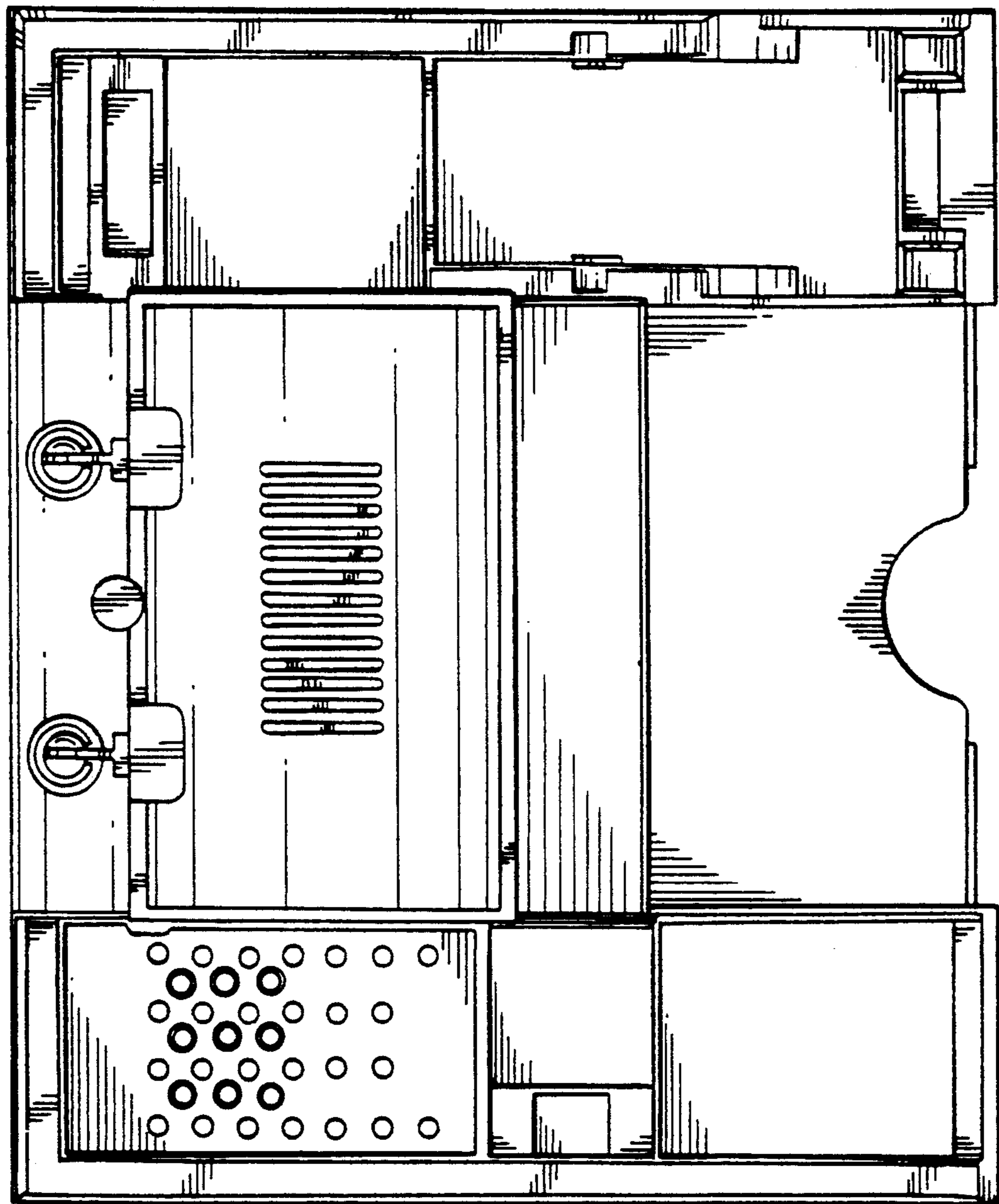


FIG. 6

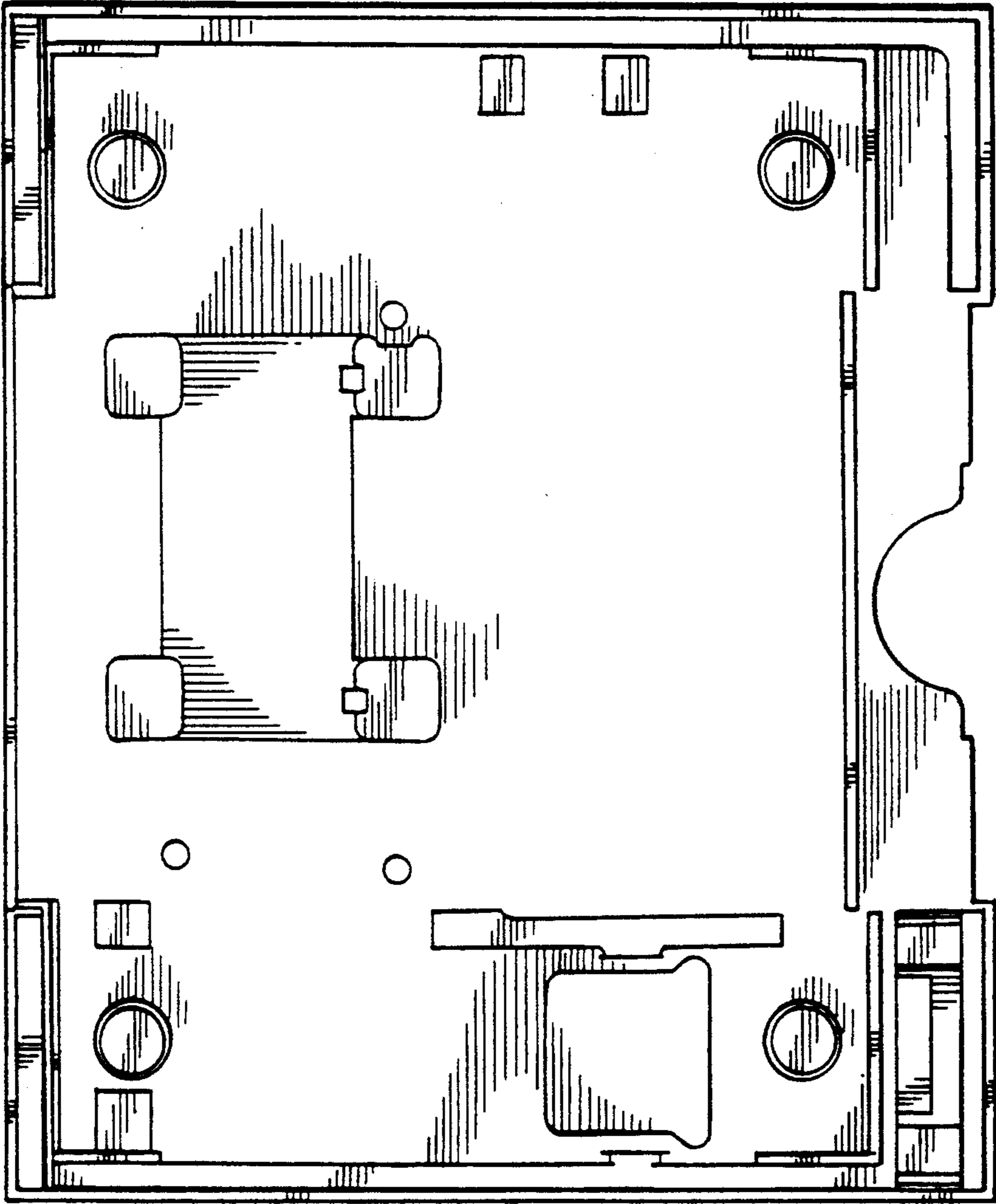


FIG. 7