



US00D339647S

United States Patent [19]

Kawashima et al.

[11] Patent Number: **Des. 339,647**

[45] Date of Patent: **** Sep. 21, 1993**

[54] **HIGH INTENSITY SPOTLIGHT**

[75] Inventors: **Hiromichi Kawashima**, Kawasaki;
Kazuo Honda, Hiratsuka; **Mamoru Furuya**, Kanagawa, all of Japan

[73] Assignee: **Toshiba Lighting & Technology Corporation**, Tokyo, Japan

[**] Term: **14 Years**

[21] Appl. No.: **761,624**

[22] Filed: **Sep. 18, 1991**

[30] **Foreign Application Priority Data**

Mar. 21, 1991 [JP] Japan 3-8175
[52] U.S. Cl. **D26/24; D26/1; D26/2; D26/118**
[58] Field of Search **D26/1, 2, 3, 24, 118, D26/128-137; 313/1, 25, 113, 315, 316, 317, 318; 362/341-350, 296, 216, 226, 310, 311**

[56] **References Cited**

U.S. PATENT DOCUMENTS

4,345,178 8/1982 Pappas et al. D26/1 X
4,626,734 12/1986 Greiler 313/318 X
4,964,829 10/1990 Westlund, Jr. et al. 313/113 X

Primary Examiner—Susan J. Lucas
Attorney, Agent, or Firm—Finnegan, Henderson, Farabow, Garrett & Dunner

[57] **CLAIM**

The ornamental design for high intensity spotlight, as shown.

DESCRIPTION

FIG. 1 is a front elevational view of high intensity spotlight showing our new design;
FIG. 2 is a rear elevational view thereof;
FIG. 3 is a top plan view thereof;
FIG. 4 is a bottom plan view thereof;
FIG. 5 is a left side elevational view thereof;
FIG. 6 is a right side elevational view thereof; and,
FIG. 7 is a front, bottom and left side perspective view thereof.

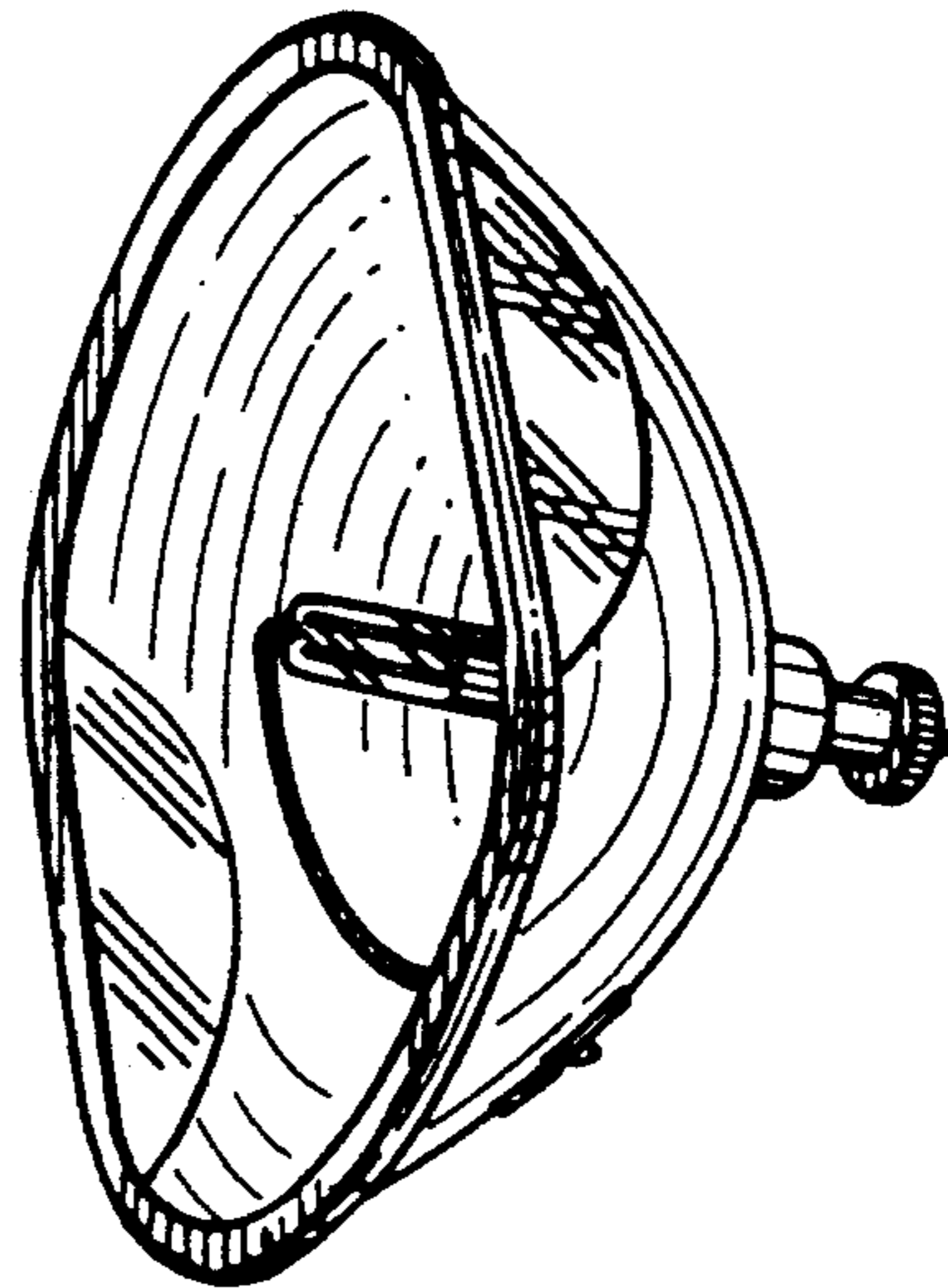
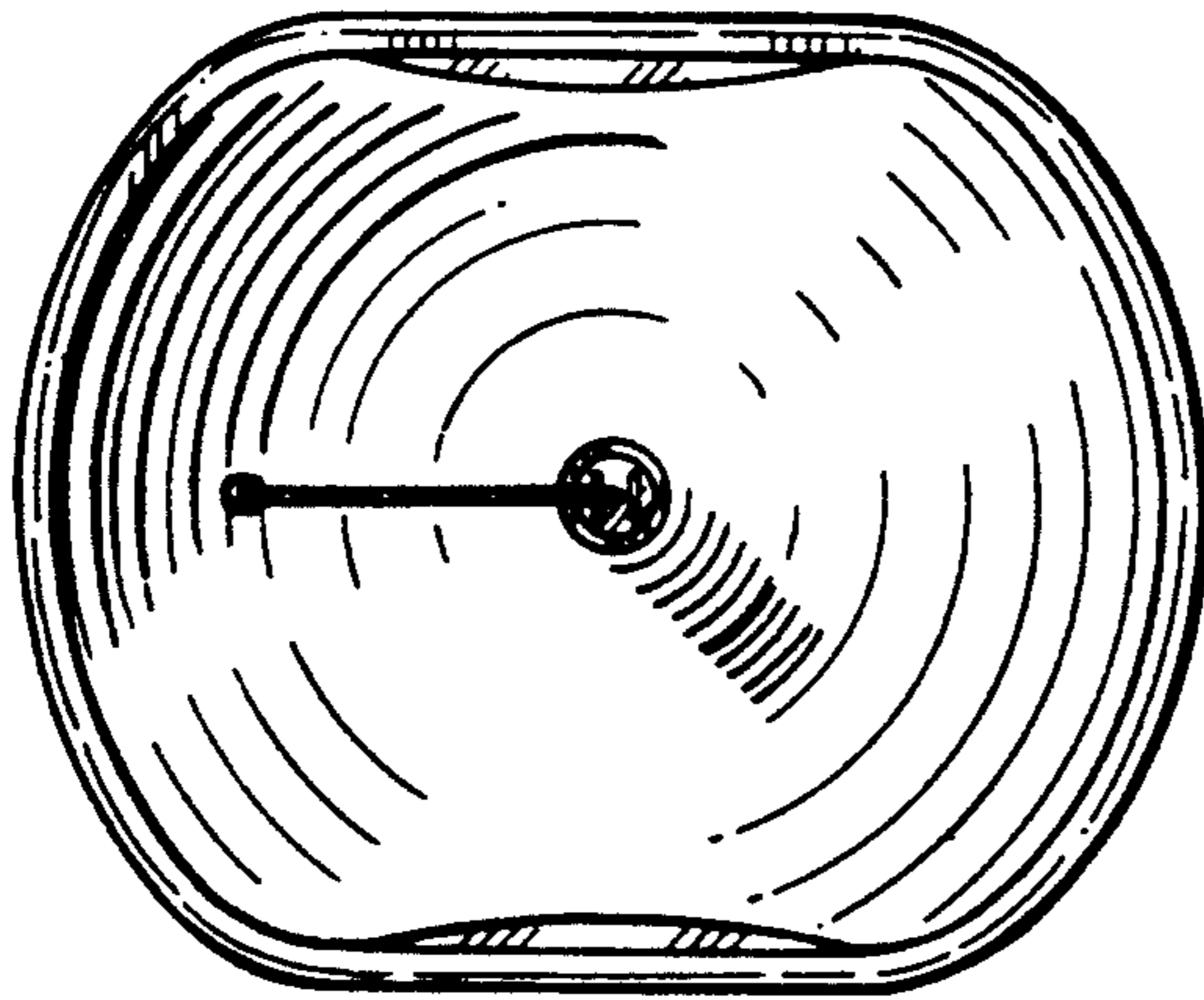


FIG. 1

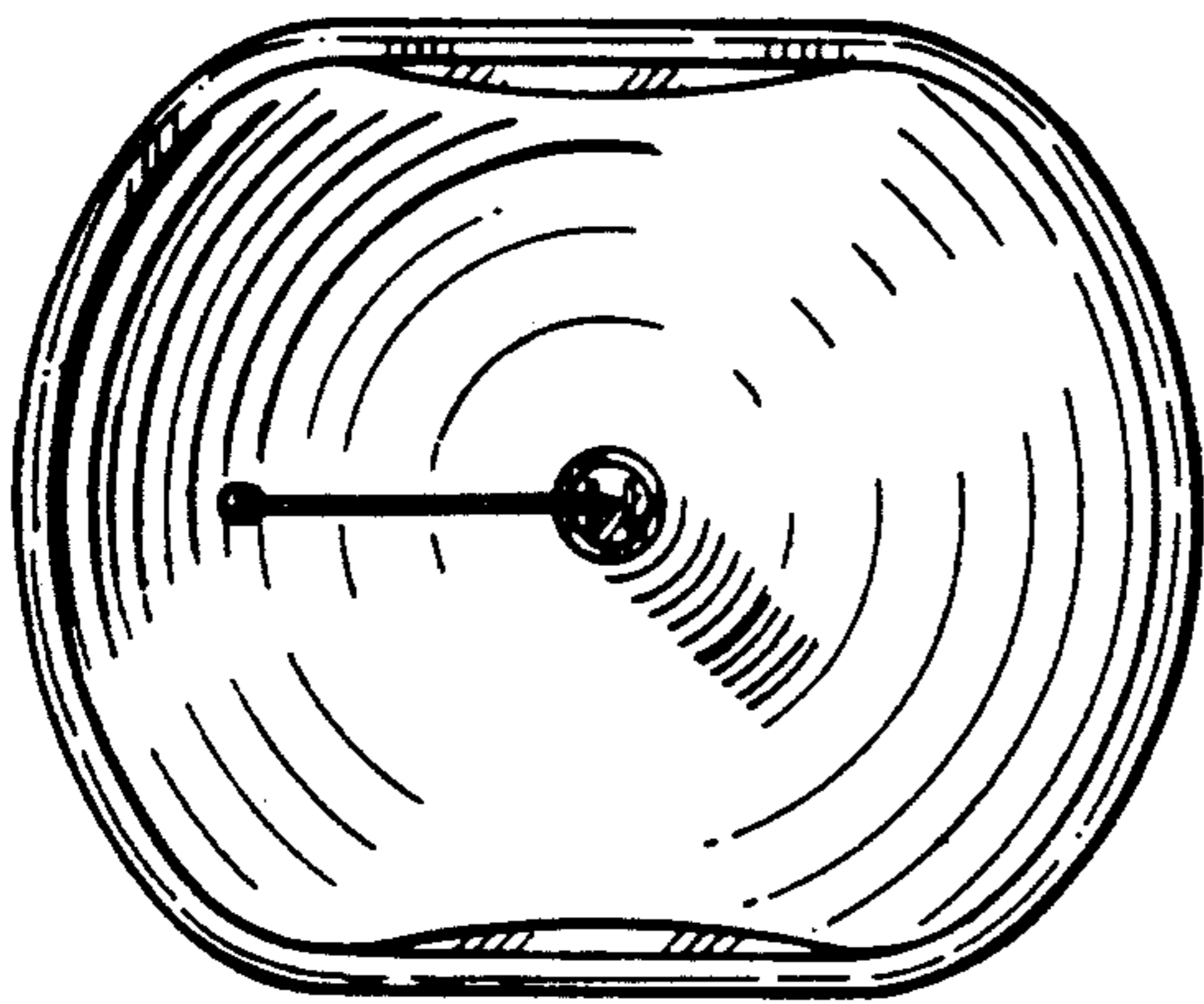


FIG. 2

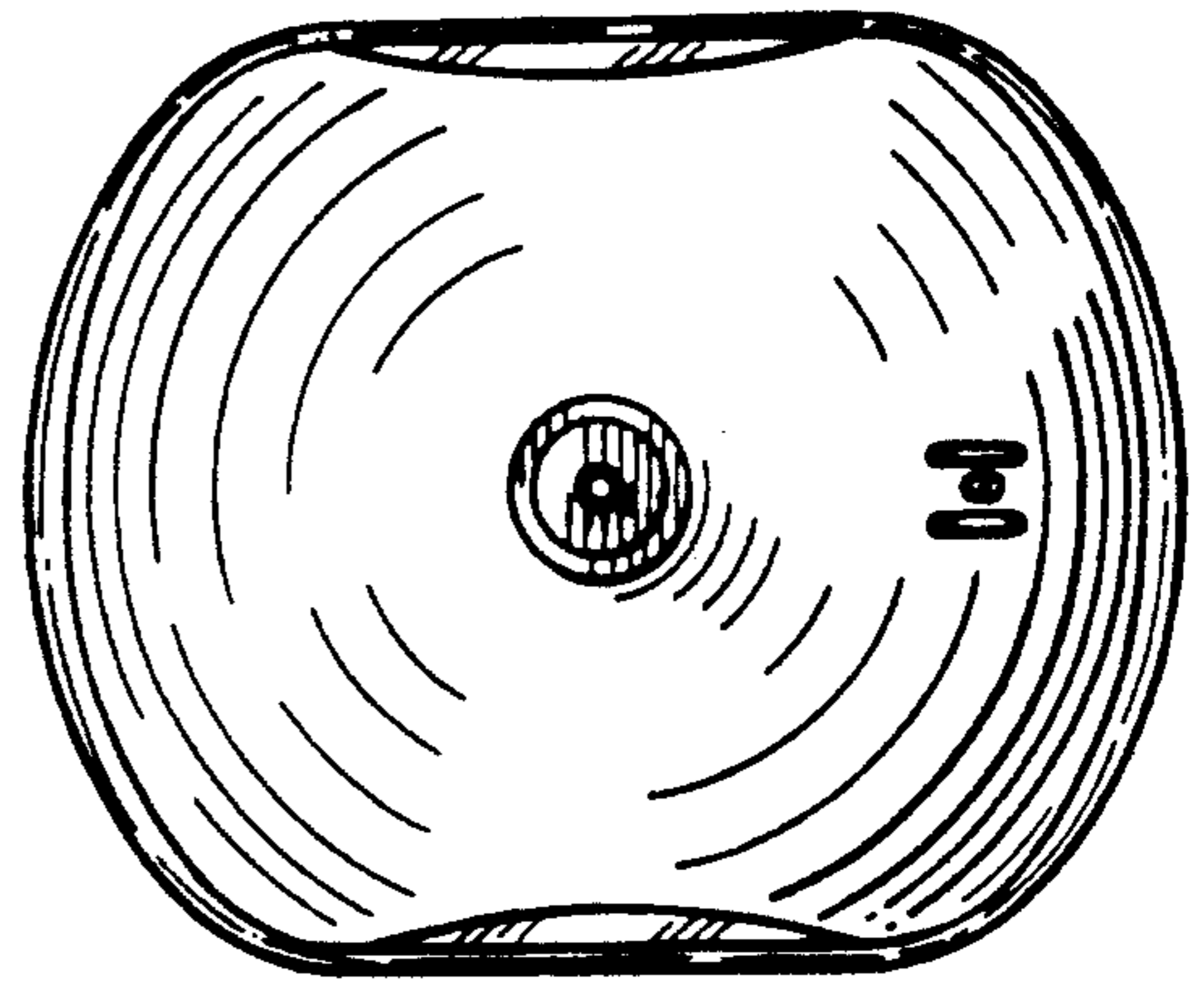


FIG. 3

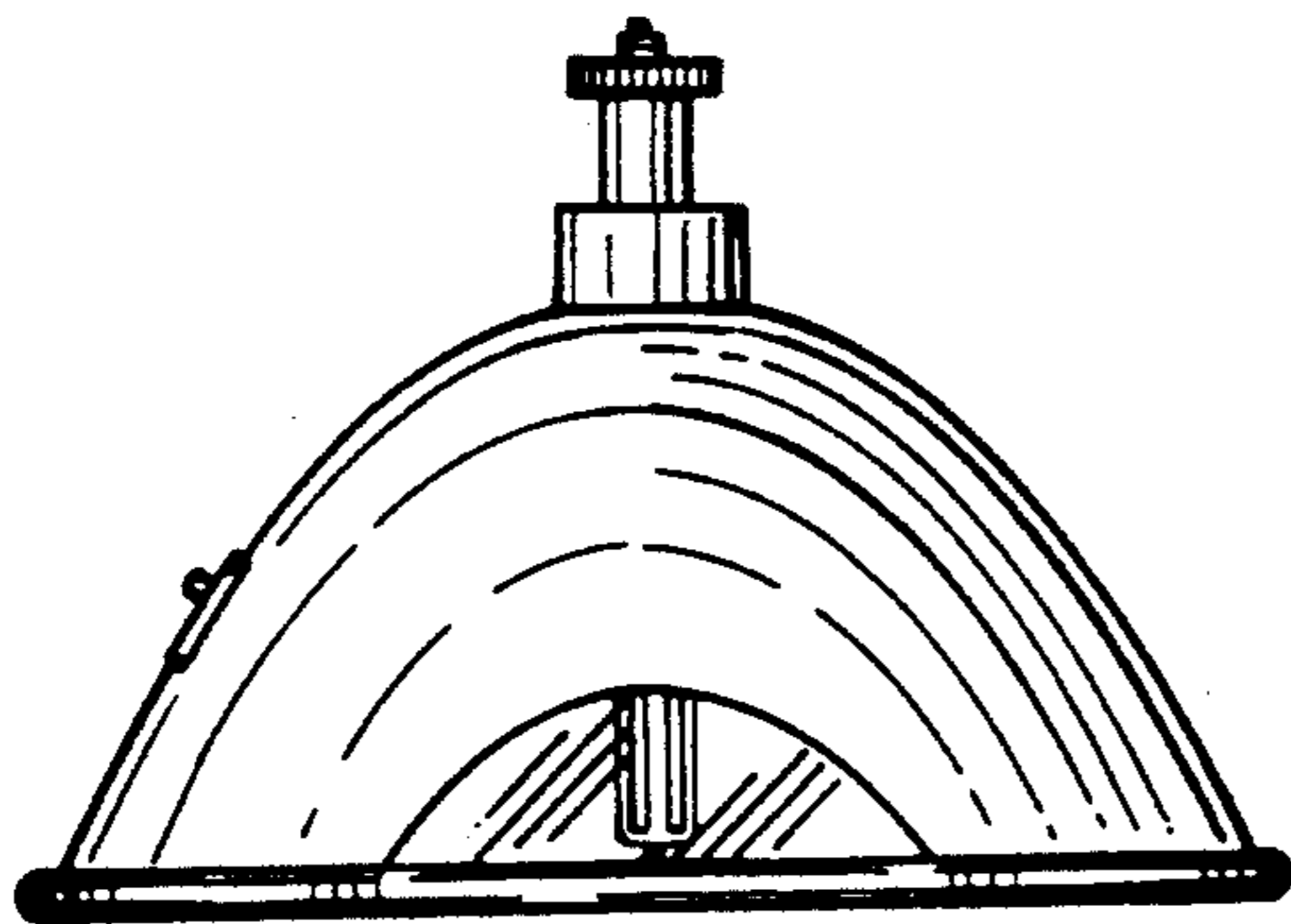


FIG. 4

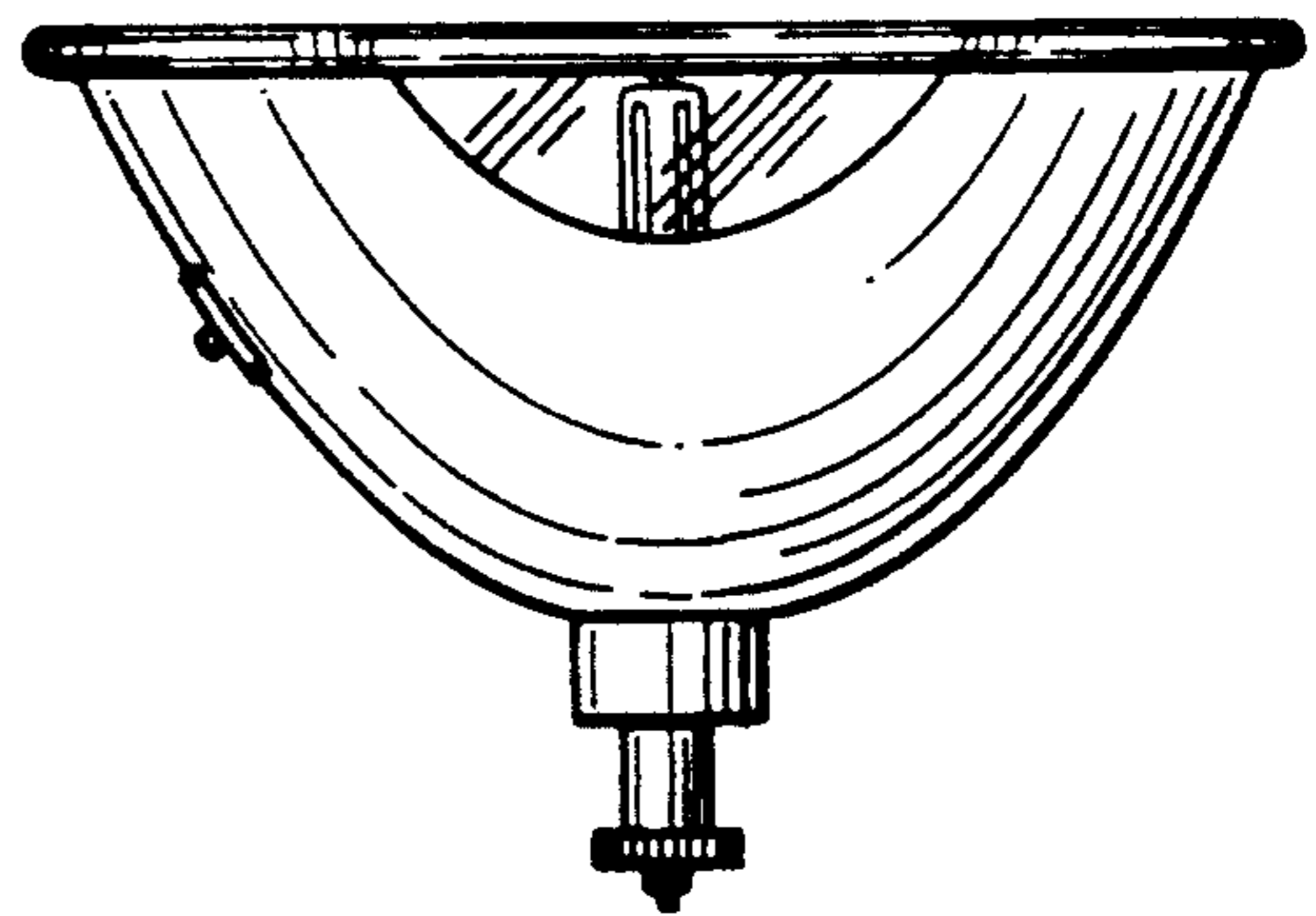


FIG. 5

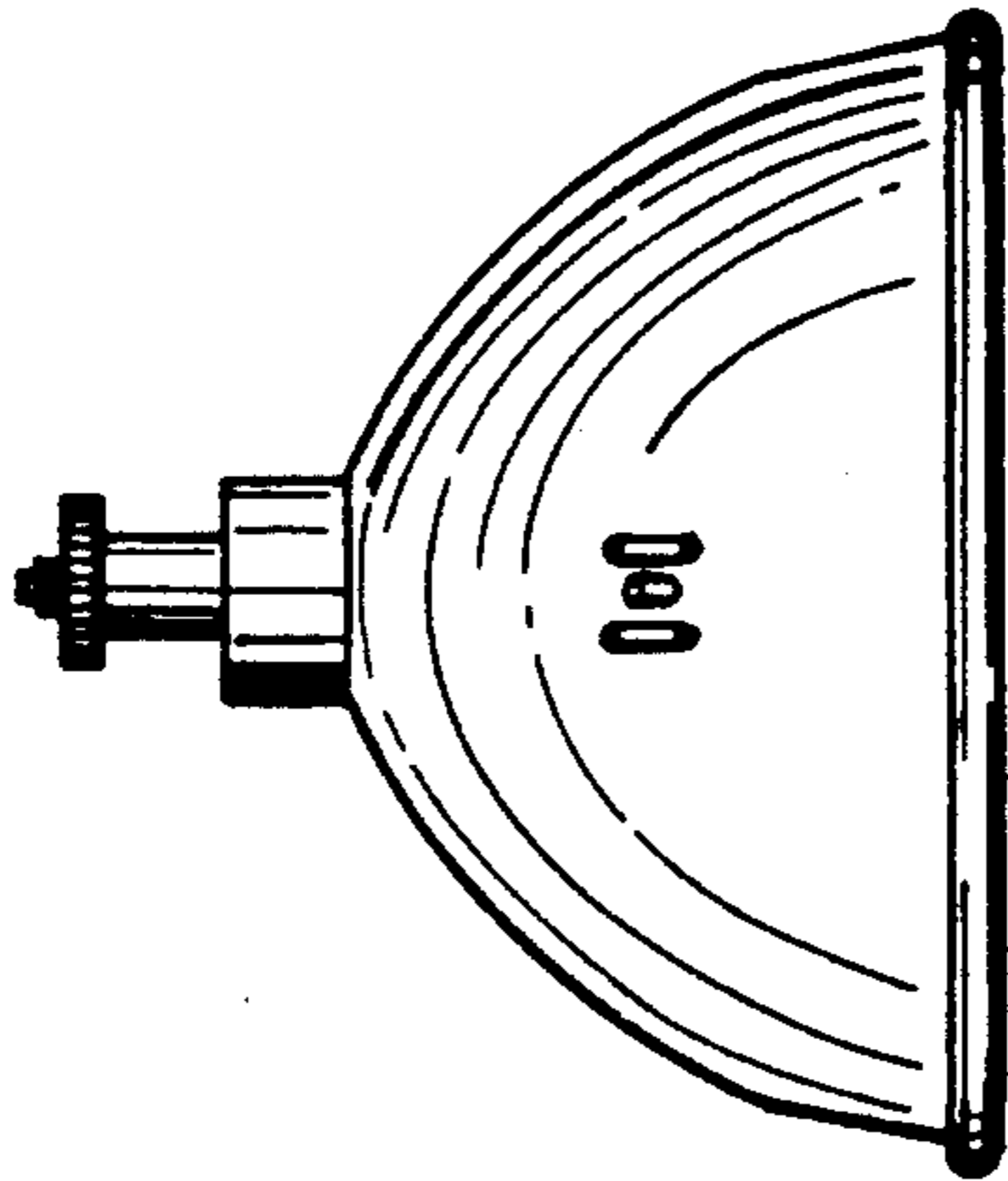


FIG. 6

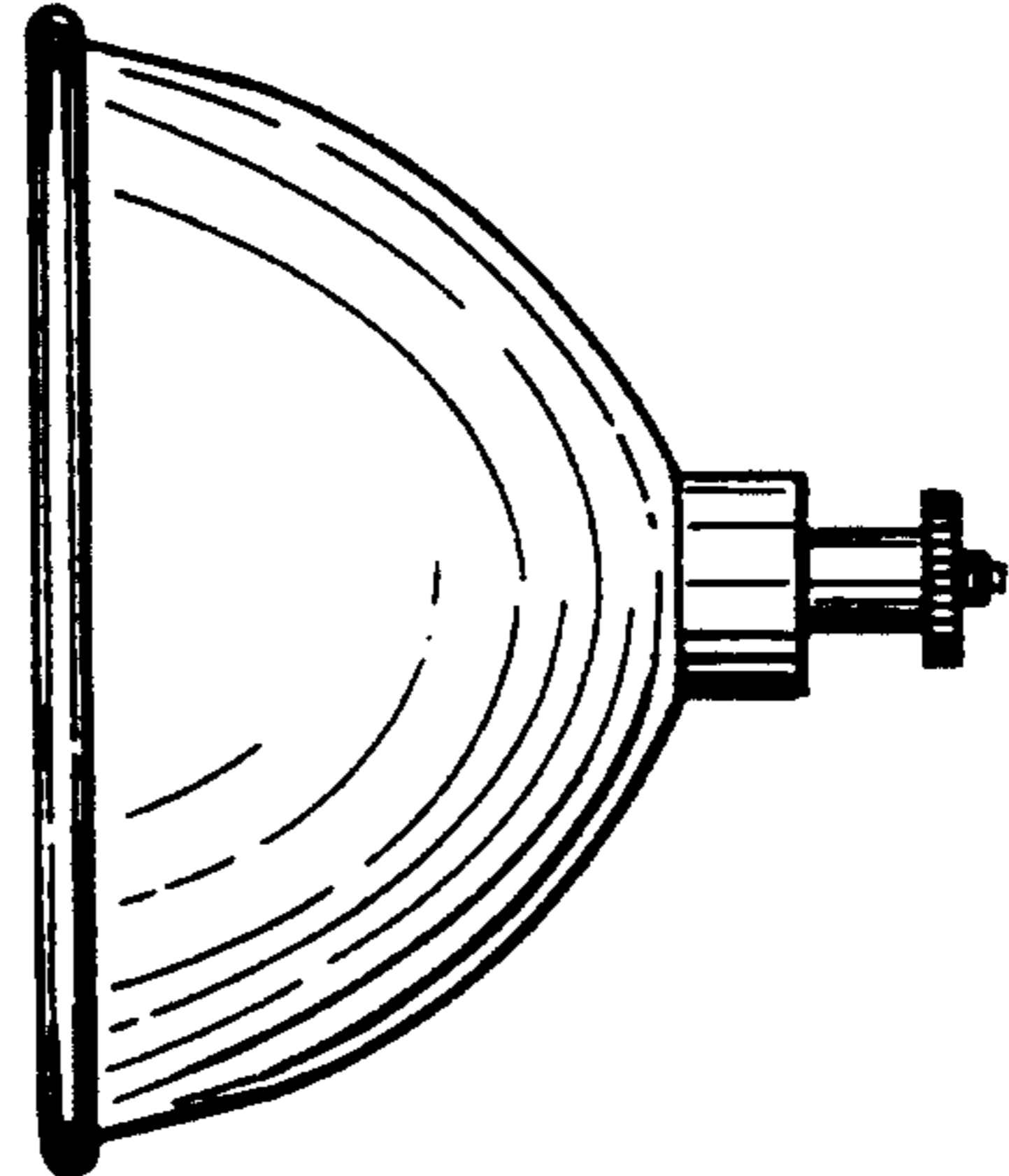


FIG. 7

