



US00D339646S

United States Patent [19]

[11] Patent Number: **Des. 339,646**

Lim

[45] Date of Patent: *** Sep. 21, 1993**

[54] FLUORESCENT REFLECTOR LAMP

[56] References Cited

[76] Inventor: **Kenneth S. Lim**, 47 St. James Pl.,
Piedmont, Calif. 94611

U.S. PATENT DOCUMENTS

D. 317,508	6/1991	Lim	D26/3
4,658,178	4/1987	Bradley et al.	313/113
4,746,840	5/1988	Lim	313/318 X

[*] Notice: The portion of the term of this patent subsequent to Jun. 11, 2005 has been disclaimed.

Primary Examiner—Susan J. Lucas
Attorney, Agent, or Firm—Burns, Doane, Swecker & Mathis

[**] Term: **14 Years**

[57] CLAIM

The ornamental design for a fluorescent reflector lamp, as shown and described.

[21] Appl. No.: **813,941**

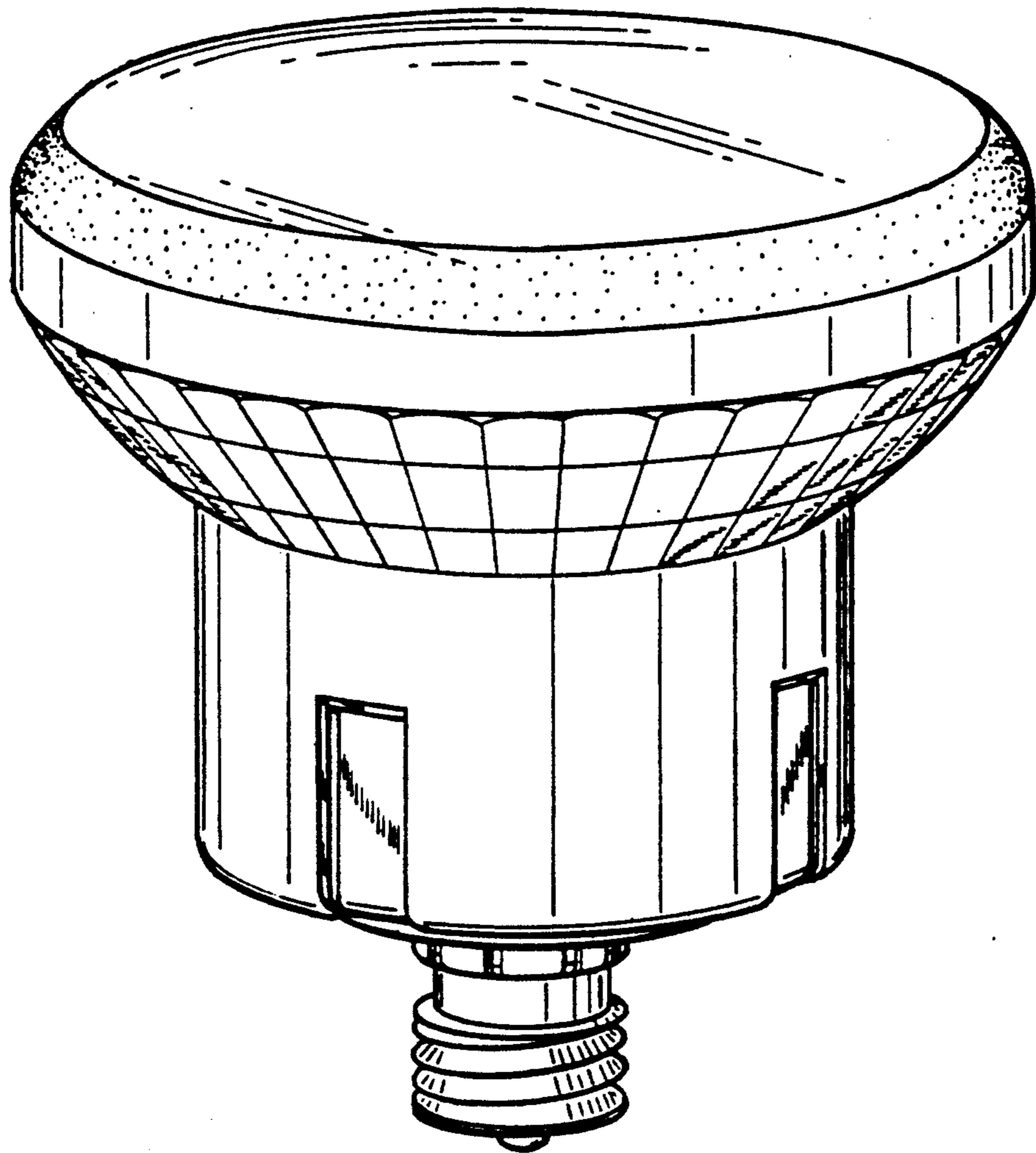
DESCRIPTION

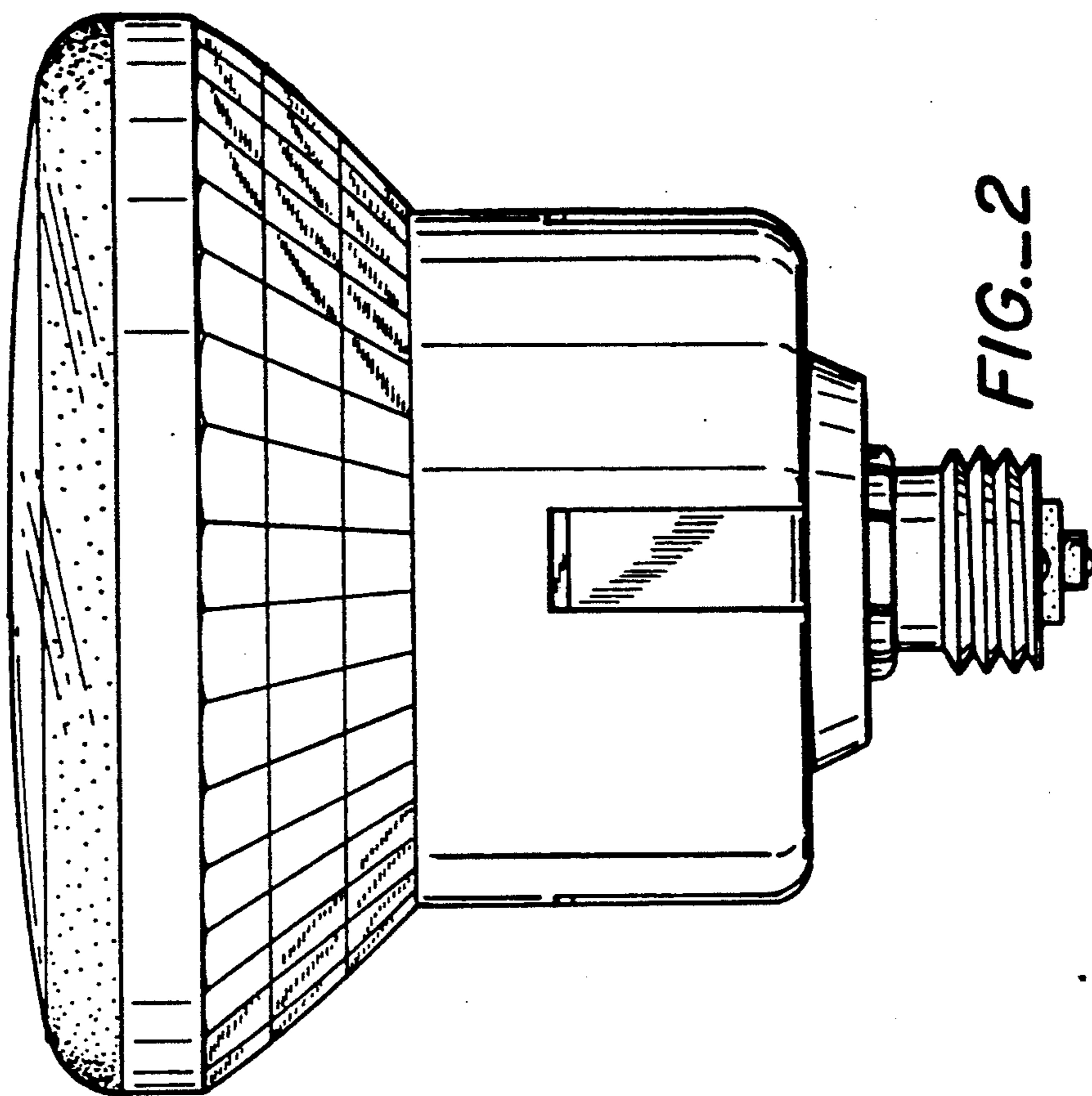
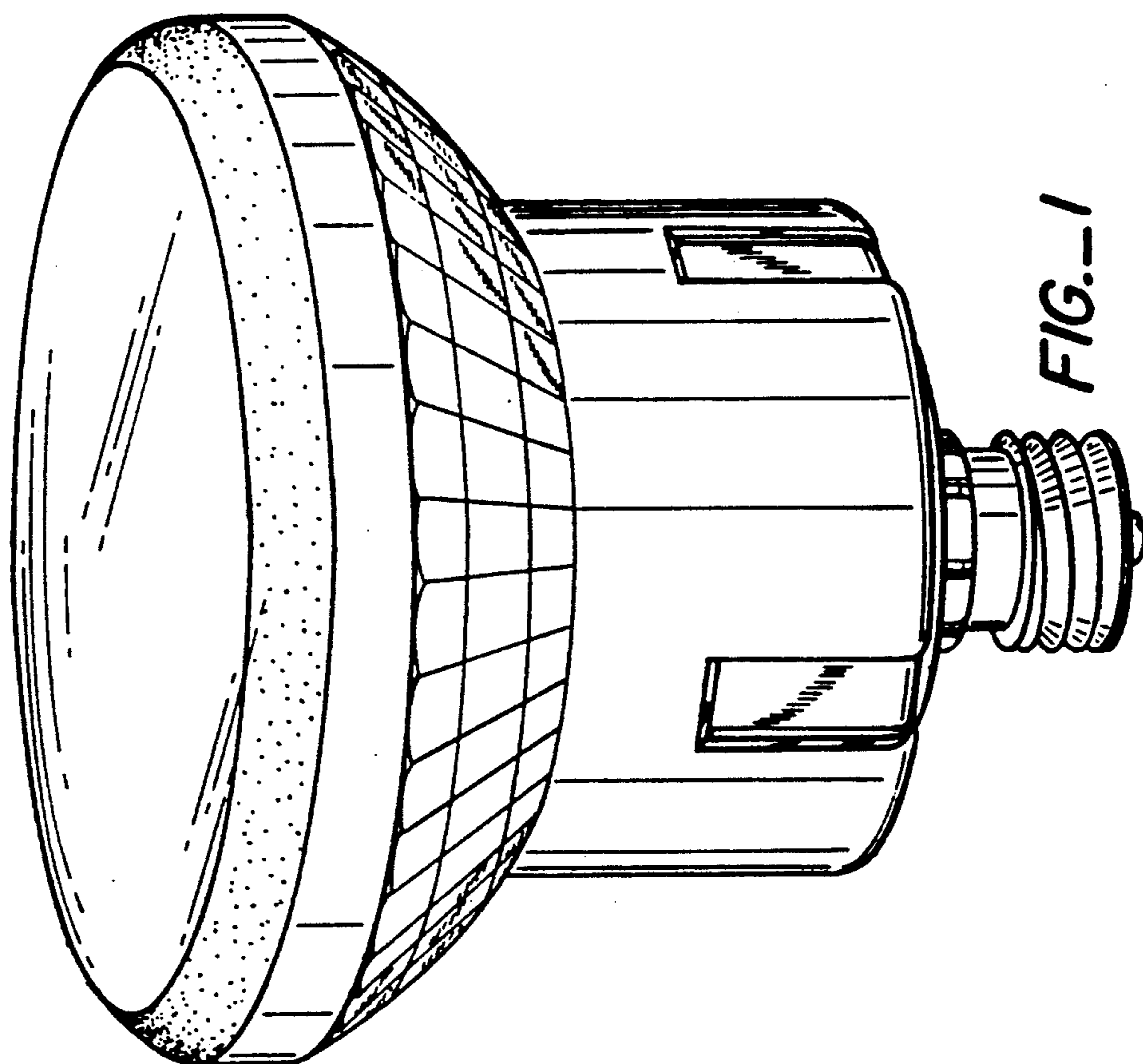
[22] Filed: **Dec. 24, 1991**

[52] U.S. Cl. **D26/3**

[58] Field of Search D26/1, 2, 3; 313/1,
313/25, 113, 116, 315, 316, 317, 318; 362/341;
336/375; 337/350; 315/58

FIG. 1 is a pictorial view of a fluorescent reflector lamp showing my new design;
FIG. 2 is a side elevational view thereof, all sides being identical;
FIG. 3 is a top plan view thereof; and,
FIG. 4 is a bottom plan view thereof.





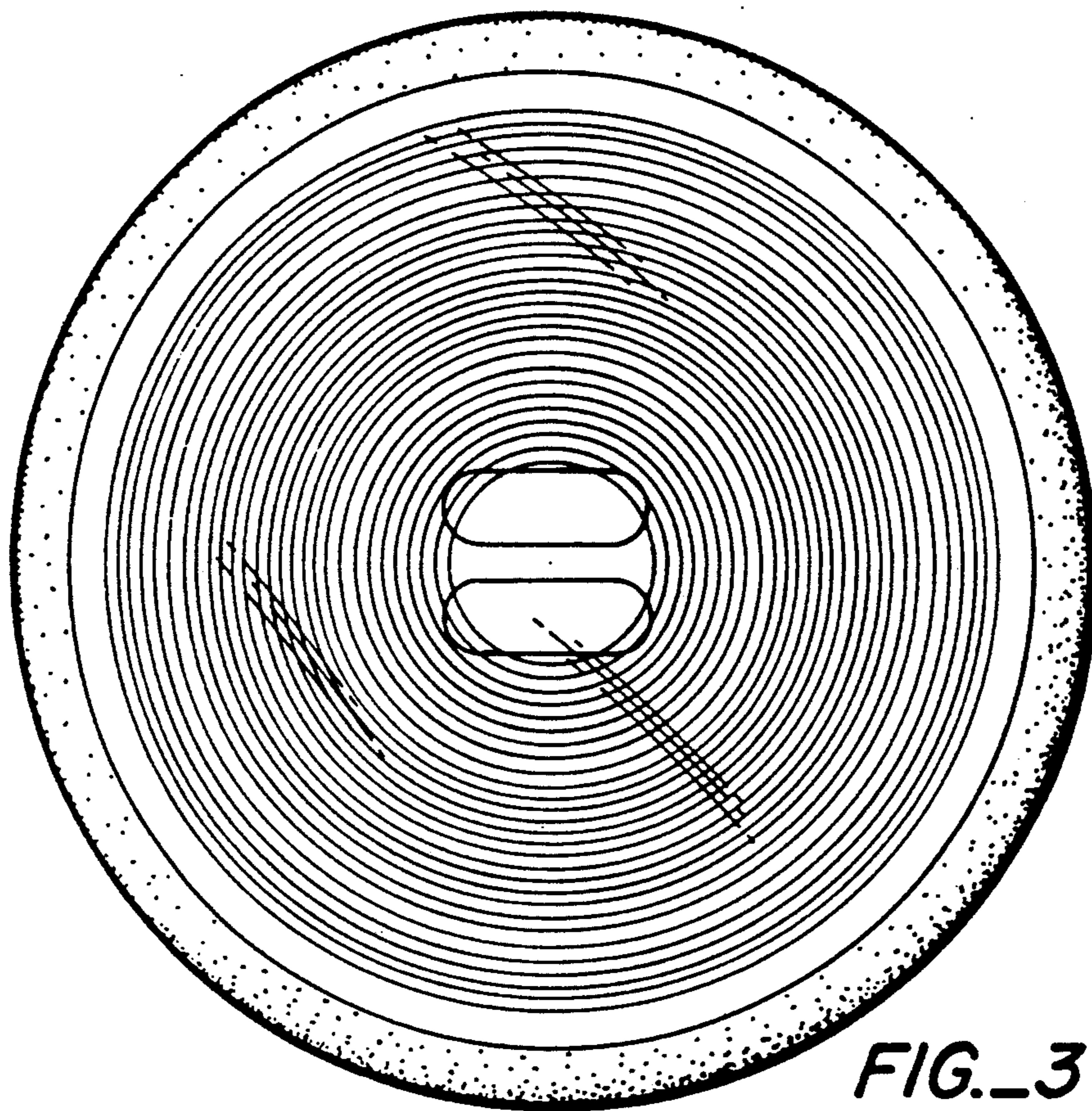


FIG. 3

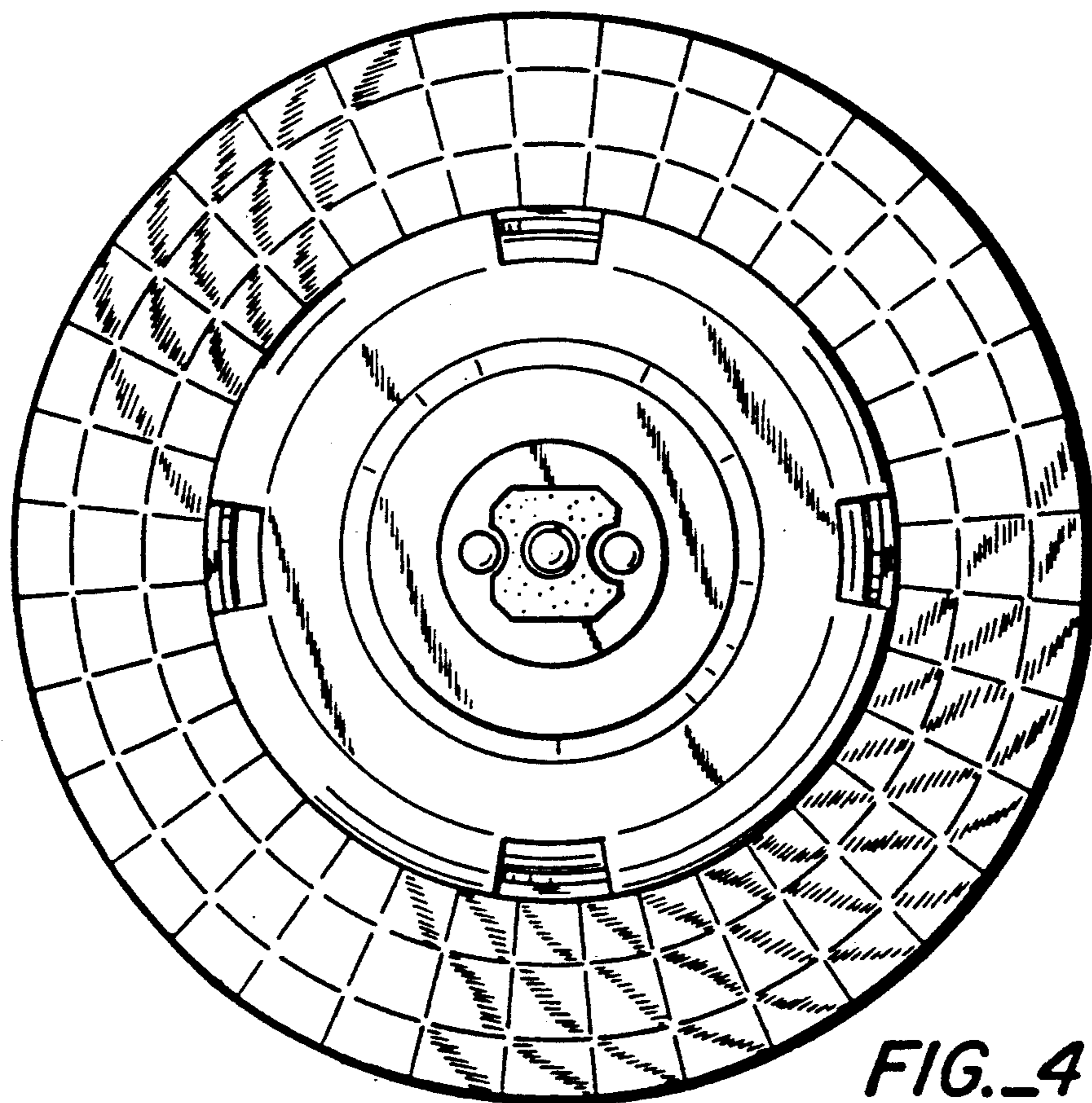


FIG. 4