



US00D339645S

# United States Patent [19]

[11] Patent Number: **Des. 339,645**

Cole

[45] Date of Patent: **\*\* Sep. 21, 1993**

[54] **UNDERSLIDE BAR WINDOW EXTRUSION**

[56] **References Cited**

[75] Inventor: **Douglas L. Cole, Seattle, Wash.**

### U.S. PATENT DOCUMENTS

[73] Assignee: **Mikron Industries, Kent, Wash.**

D. 307,804	5/1990	Westphal et al. ....	125/124
3,859,754	1/1975	Budich et al. ....	49/504
4,944,118	7/1990	Biro .....	49/DIG. 2

[\*] Notice: The portion of the term of this patent subsequent to May 4, 2007 has been disclaimed.

*Primary Examiner*—A. Hugo Word  
*Assistant Examiner*—Doris Clark  
*Attorney, Agent, or Firm*—Seed and Berry

[\*\*] Term: **14 Years**

### [57] CLAIM

The ornamental design for a underslide bar window extrusion, as shown and described.

[21] Appl. No.: **707,410**

### DESCRIPTION

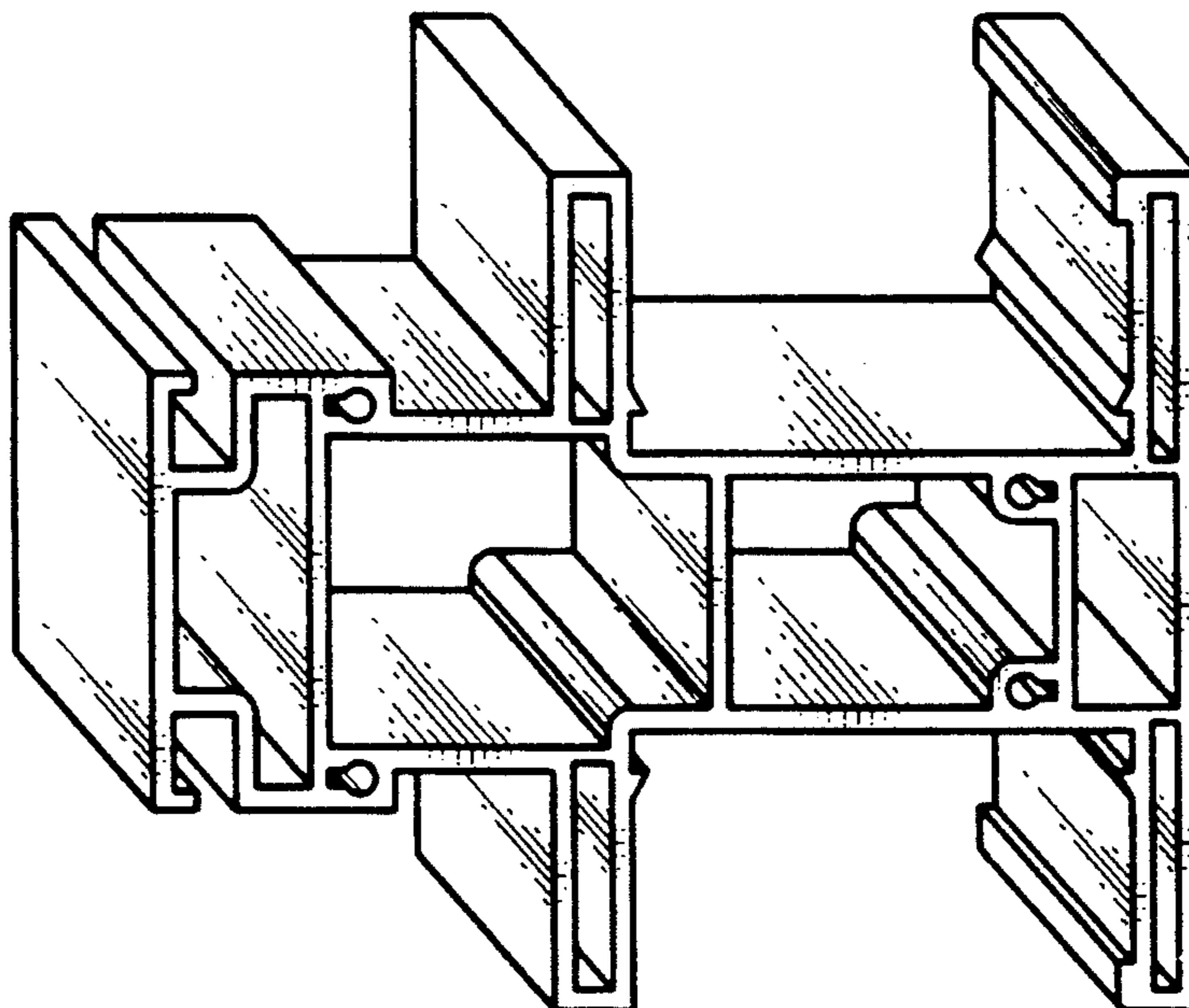
[22] Filed: **May 30, 1991**

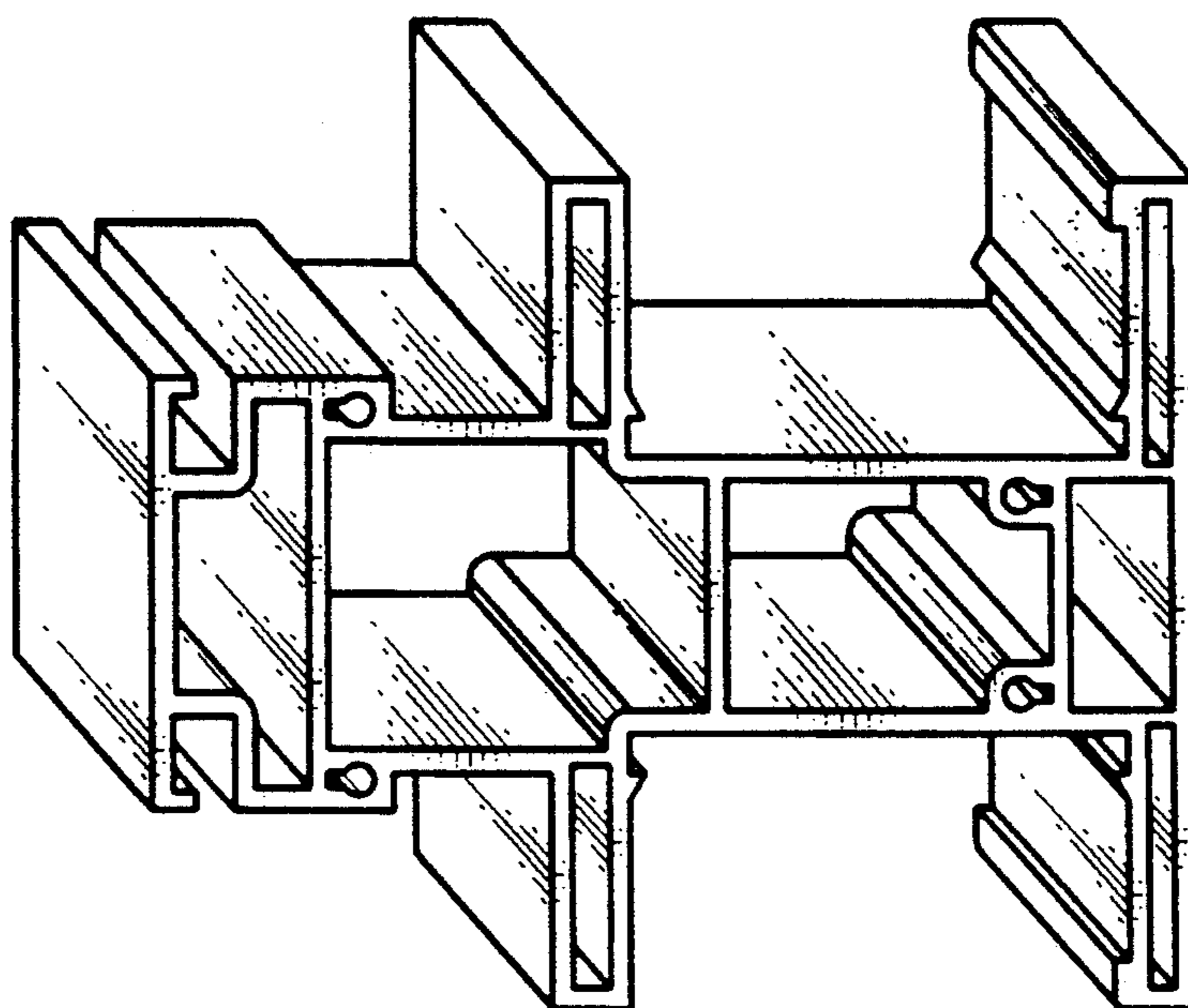
[52] U.S. Cl. .... **D25/124**

[58] Field of Search ..... **D25/52, 122-125; 49/501, 504, DIG. 2; 52/202-204**

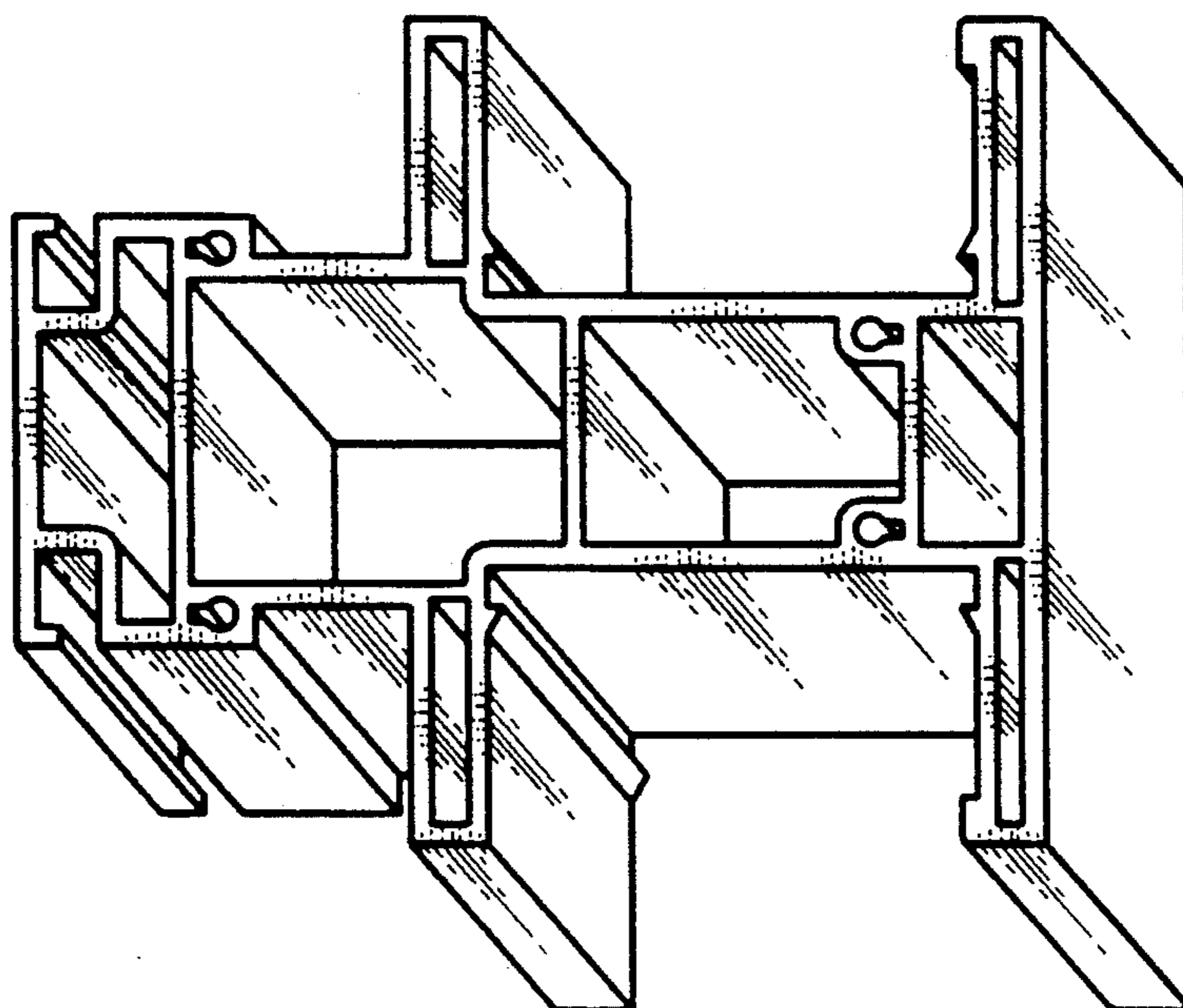
FIG. 1 is a perspective view of a underslide bar window extrusion showing my new design viewed from the top right; and,

FIG. 2 is a perspective view thereof viewed from the bottom left.





*FIG. 1*



*FIG. 2*