



US00D339644S

United States Patent [19]
Cole

[11] **Patent Number: Des. 339,644**
[45] **Date of Patent: ** Sep. 21, 1993**

[54] **WINDOW COMPONENT EXTRUSION**

[75] **Inventor: Douglas L. Cole, Seattle, Wash.**

[73] **Assignee: Mikron Industries, Kent, Wash.**

[*] **Notice:** The portion of the term of this patent subsequent to Apr. 20, 2007 has been disclaimed.

[**] **Term: 14 Years**

[21] **Appl. No.: 707,392**

[22] **Filed: May 30, 1991**

[52] **U.S. Cl. D25/124**

[58] **Field of Search D25/52, 122-125; 49/501, 504, DIG. 2; 52/202-204**

[56] **References Cited**

U.S. PATENT DOCUMENTS

D. 299,970	2/1989	Hardy	D25/124
D. 300,664	4/1989	Dallaire et al.	D25/124
D. 307,803	5/1990	Westphal et al.	D25/124
D. 307,943	5/1990	Westphal et al.	D25/124

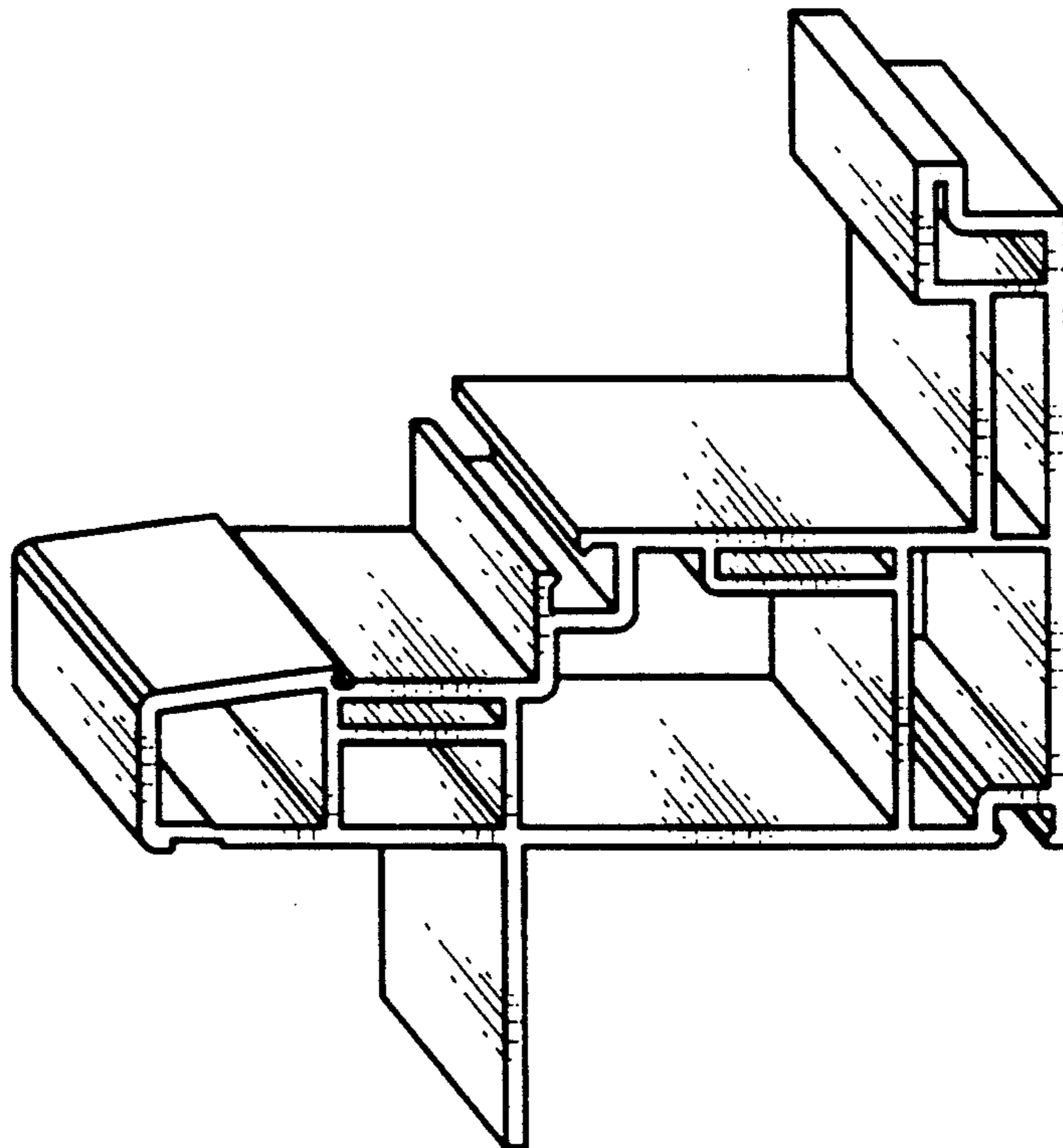
Primary Examiner—A. Hugo Word
Assistant Examiner—Doris Clark
Attorney, Agent, or Firm—Seed and Berry

[57] **CLAIM**

The ornamental design for a window component extrusion, as shown and described.

DESCRIPTION

FIG. 1 is a perspective view of a window component extrusion showing my new design viewed from the top right; and, FIG. 2 is a perspective view thereof viewed from the bottom left.



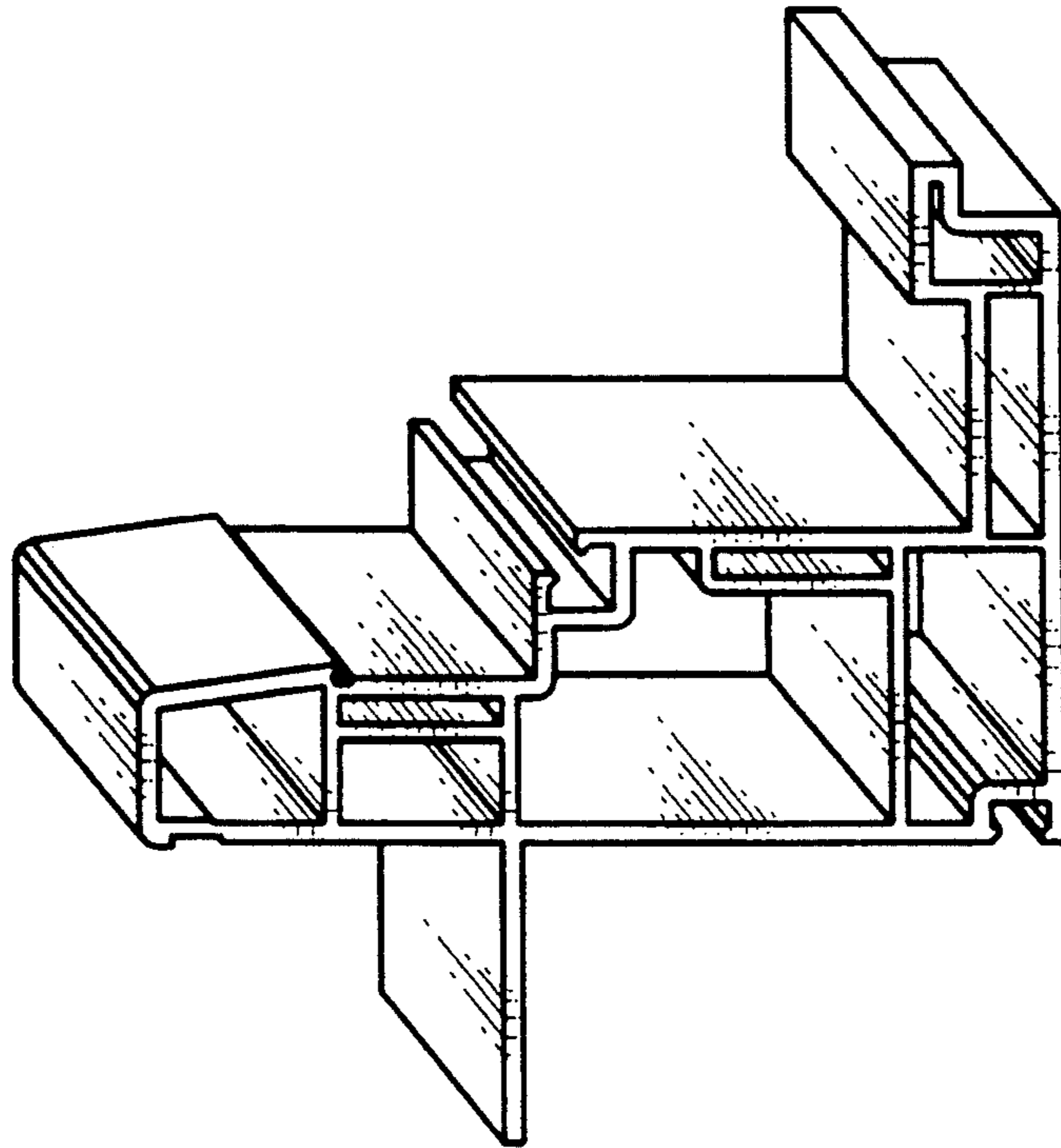


FIG. 1

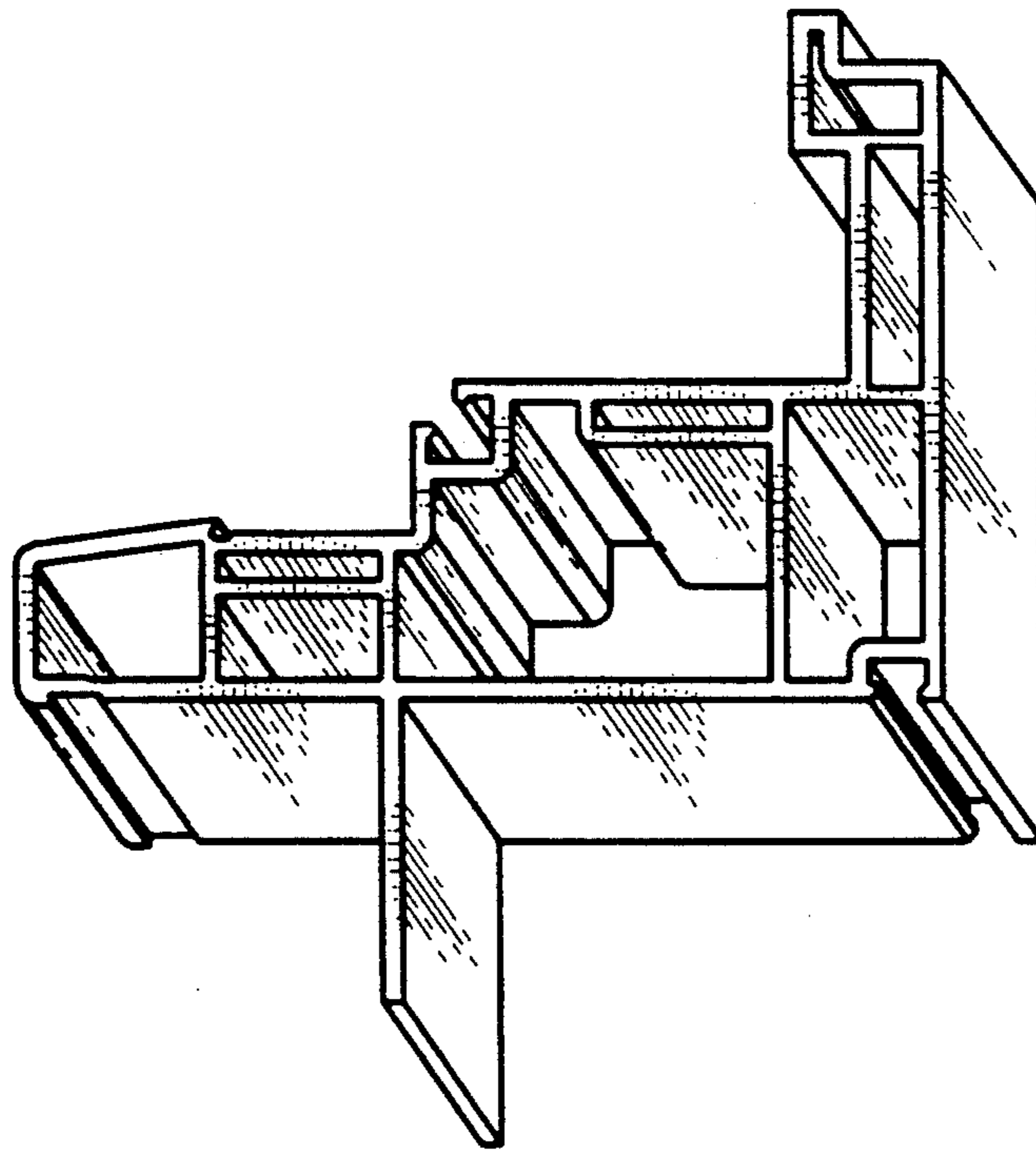


FIG. 2