



US00D339643S

# United States Patent [19]

Cole

[11] Patent Number: **Des. 339,643**

[45] Date of Patent: **\*\* Sep. 21, 1993**

[54] WINDOW COMPONENT EXTRUSION

[75] Inventor: **Douglas L. Cole**, Seattle, Wash.

[73] Assignee: **Mikron Industries**, Kent, Wash.

[\*\*] Term: **14 Years**

[21] Appl. No.: **816,088**

[22] Filed: **Dec. 30, 1991**

[52] U.S. Cl. .... **D25/122**

[58] Field of Search ..... **D25/122, 124; 49/501, 49/504, DIG. 2**

D. 270,737	9/1983	Ericsson	.....	D25/122
3,555,735	1/1971	Weikert	.....	49/501
4,084,347	4/1978	Brown	.....	49/501
4,237,665	12/1980	Molyneux	.....	49/504

*Primary Examiner*—A. Hugo Word  
*Assistant Examiner*—Doris Clark  
*Attorney, Agent, or Firm*—Seed and Berry

### [57] CLAIM

The ornamental design for a window component extrusion, as shown and described.

### DESCRIPTION

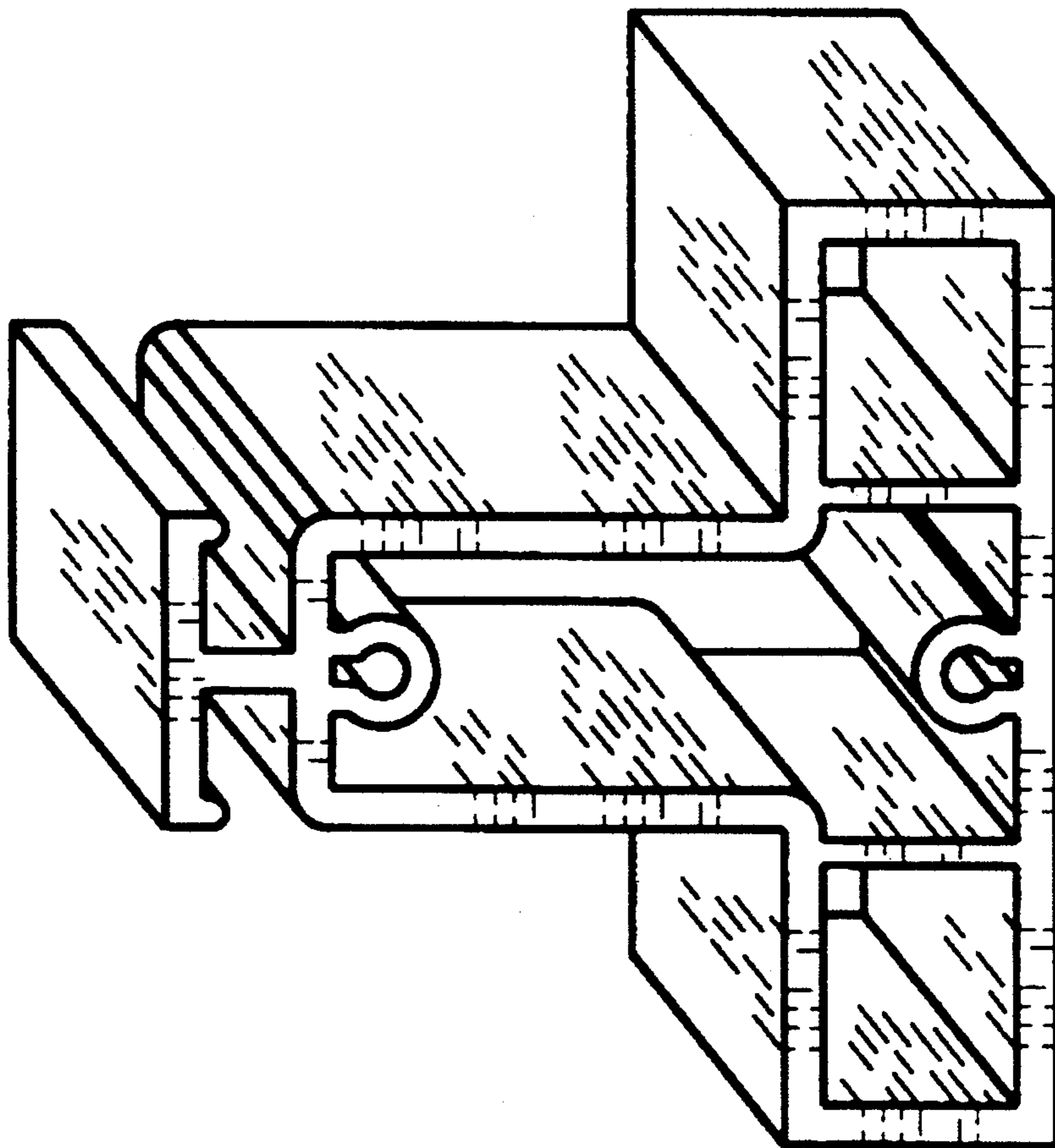
FIG. 1 is a perspective view of a window component extrusion showing my new design viewed from the top right; and,

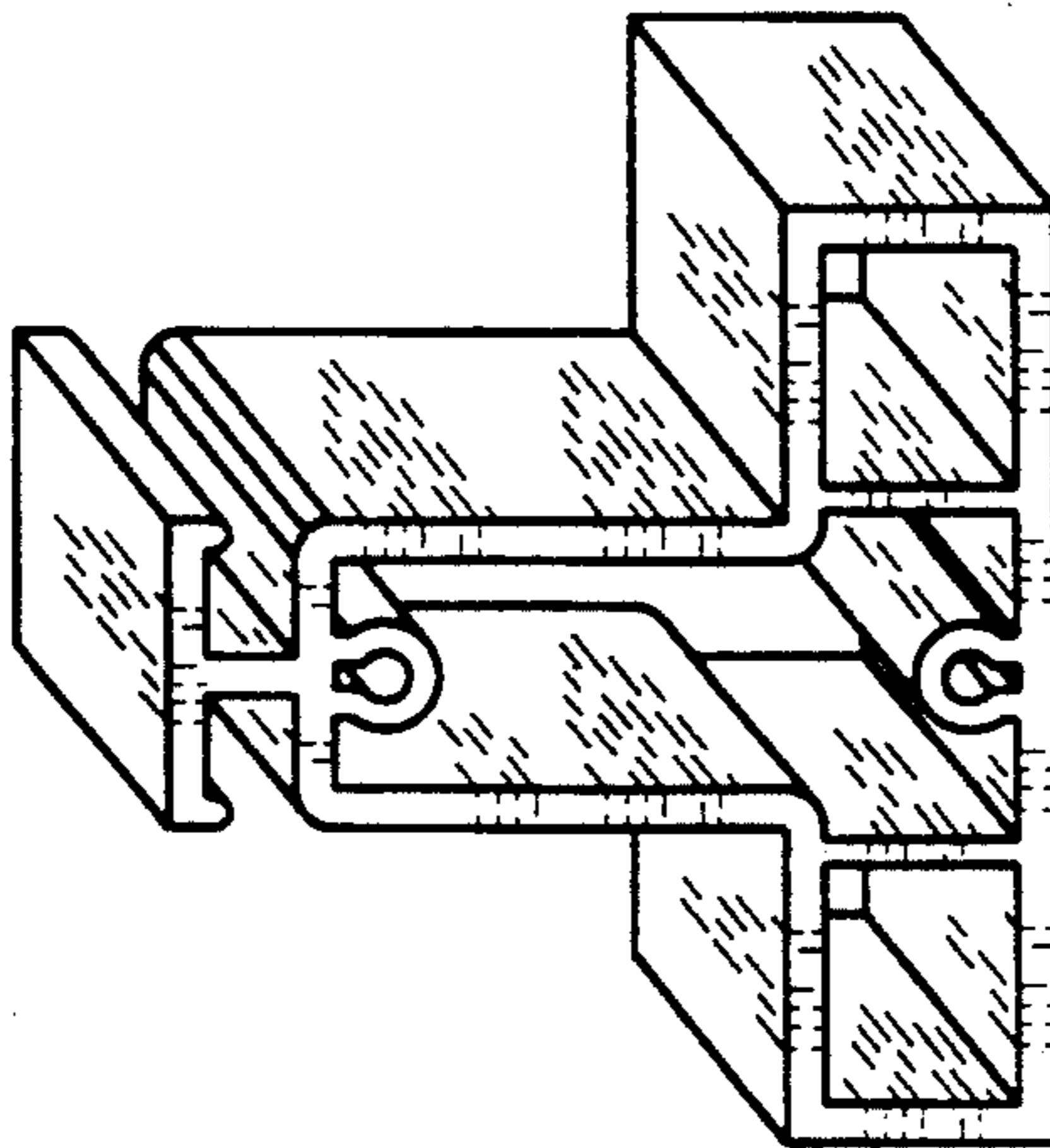
FIG. 2 is a perspective view thereof viewed from the bottom left.

### [56] References Cited

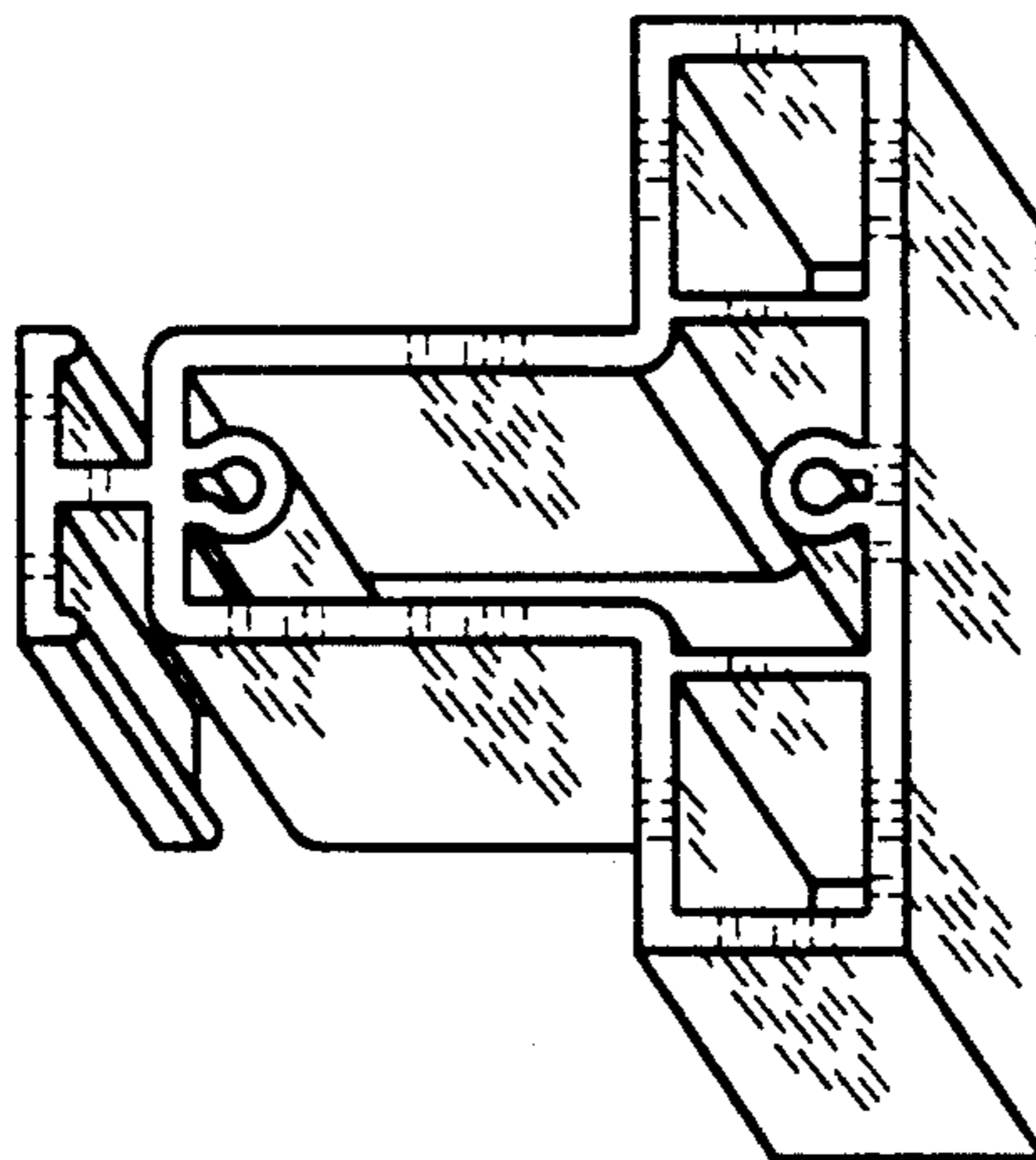
#### U.S. PATENT DOCUMENTS

D. 233,034	10/1974	Donné	.....	D25/124
D. 270,660	9/1983	Ort	.....	D25/124





*FIG. 1*



*FIG. 2*