



US00D339630S

United States Patent [19]

[11] Patent Number: **Des. 339,630**

Gottwald

[45] Date of Patent: **** Sep. 21, 1993**

[54] **COMBINED CONTROL HANDLES AND ESCUTCHEON FOR BATHROOM FIXTURES**

[75] Inventor: **Adolf Gottwald, Iserlohn, Fed. Rep. of Germany**

[73] Assignee: **Friedrich Grohe Aktiengesellschaft, Hemer, Fed. Rep. of Germany**

[**] Term: **14 Years**

[21] Appl. No.: **717,104**

[22] Filed: **Jun. 18, 1991**

[30] **Foreign Application Priority Data**

Dec. 21, 1990 [DE] Fed. Rep. of Germany M9008428.4

[52] U.S. Cl. **D23/254**

[58] Field of Search **D23/238-243, D23/250-254; D8/300, 307-312; 16/110, 118, 119, 121, 125; 4/676-678**

[56] **References Cited**

U.S. PATENT DOCUMENTS

- D. 195,479 6/1963 Denker D8/310
- D. 197,911 4/1967 Clayton D8/310 X
- D. 241,440 9/1976 Domay D23/252

- D. 263,989 4/1982 Fleischmann D23/252
- D. 266,348 9/1982 Piesco D23/252
- D. 268,513 4/1983 Thompson D8/312 X
- D. 285,107 8/1986 Ogilive D23/254
- D. 285,108 8/1986 Ogilive D23/254
- D. 285,245 8/1986 Ogilive D23/254
- D. 291,233 8/1987 Jans D23/242
- D. 294,631 3/1988 Bourbon D23/241
- D. 330,754 11/1992 Gottwald D23/254

Primary Examiner—James R. Largen
Attorney, Agent, or Firm—Herbert Dubno; Ronald Lianides; Andrew Wilford

[57] **CLAIM**

The ornamental design for a combined control handles and escutcheon for bathroom fixtures, as shown.

DESCRIPTION

FIG. 1 is a front perspective view of a combined control handles and escutcheon for bathroom fixtures showing my new design;

FIG. 2 is a front elevational view thereof;

FIG. 3 is a bottom plan view thereof;

FIG. 4 is a top plan view thereof;

FIG. 5 is a rear elevational view thereof;

FIG. 6 is a left-side elevational view thereof; and,

FIG. 7 is a right-side elevational view thereof.

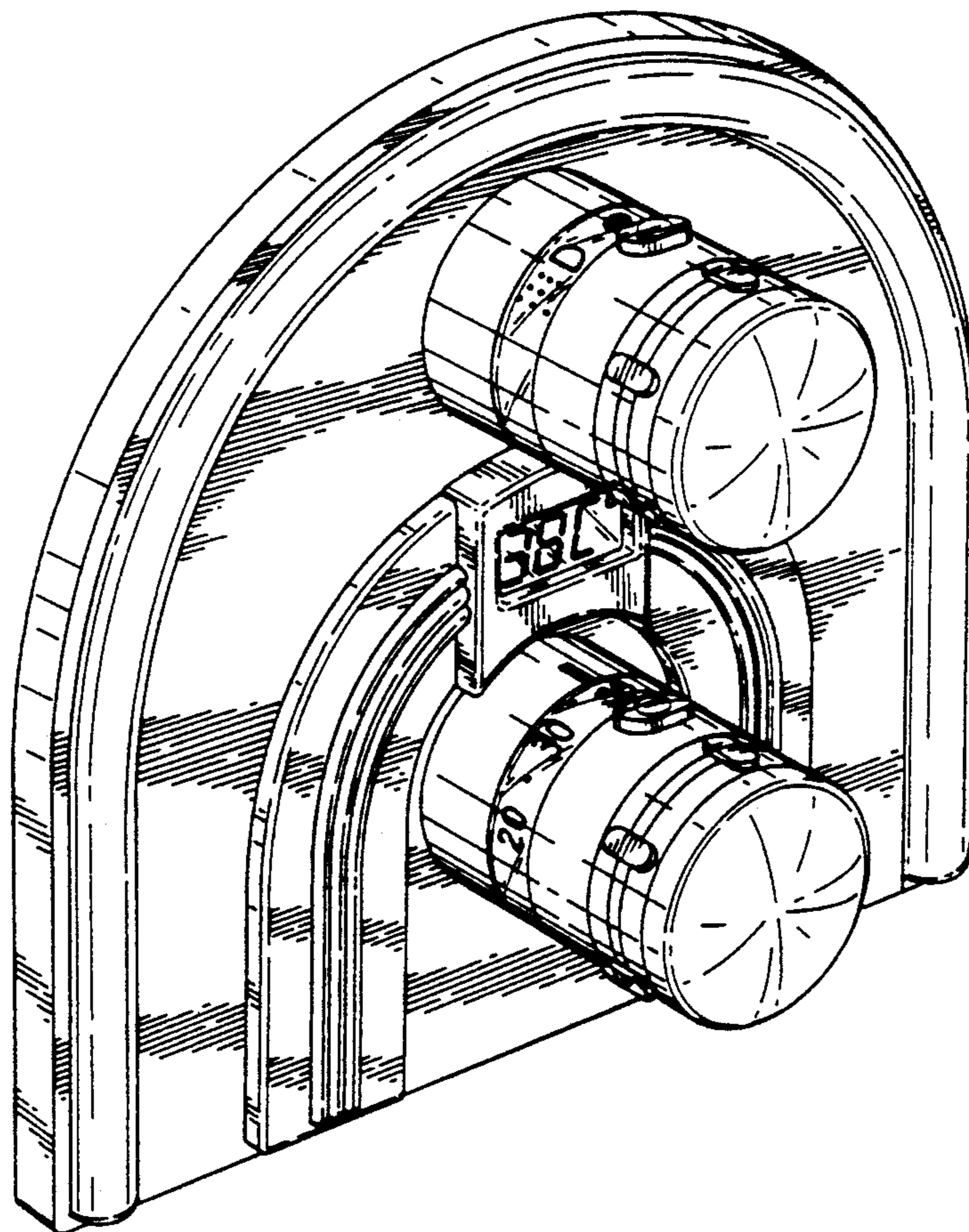


FIG. 1

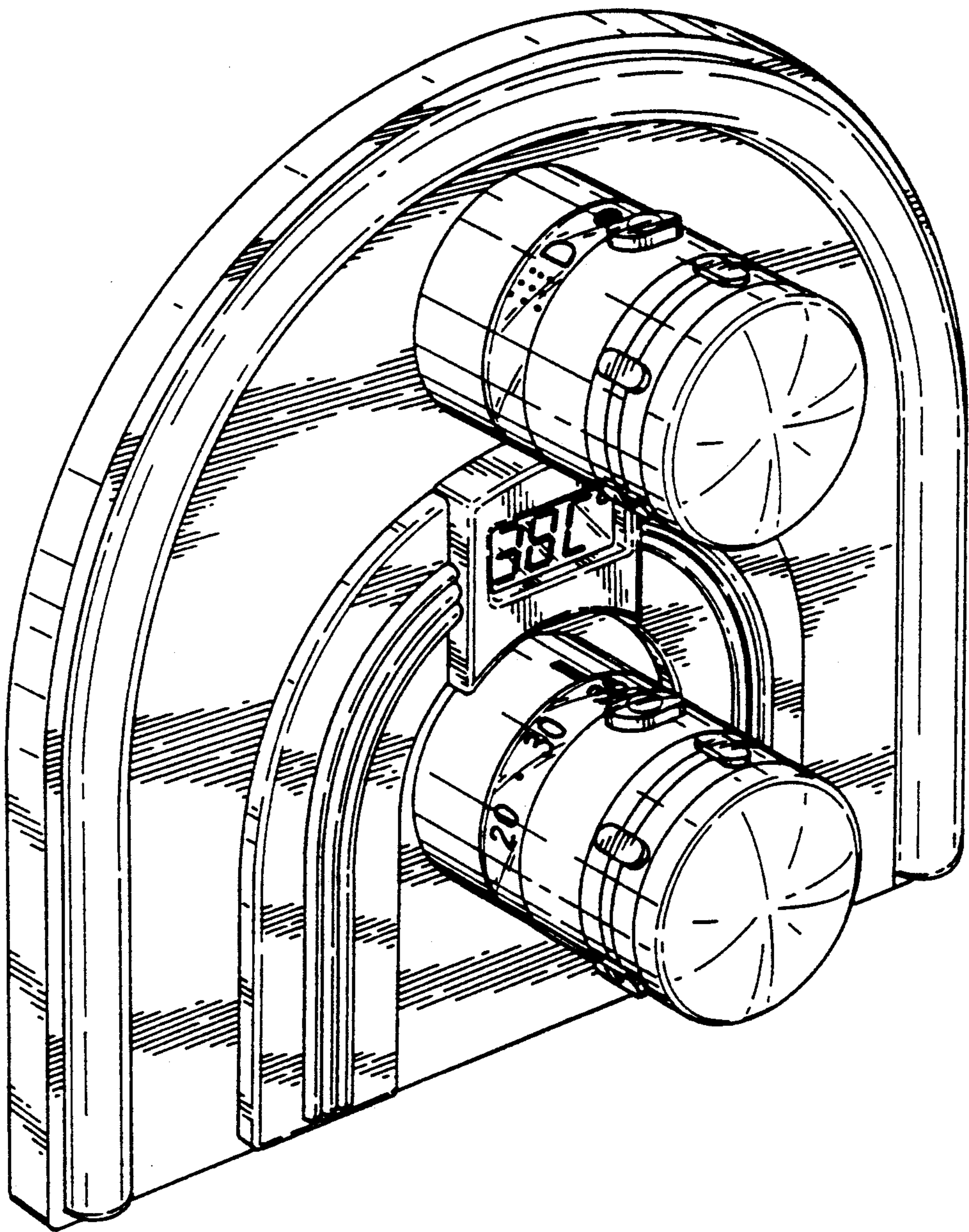


FIG. 2

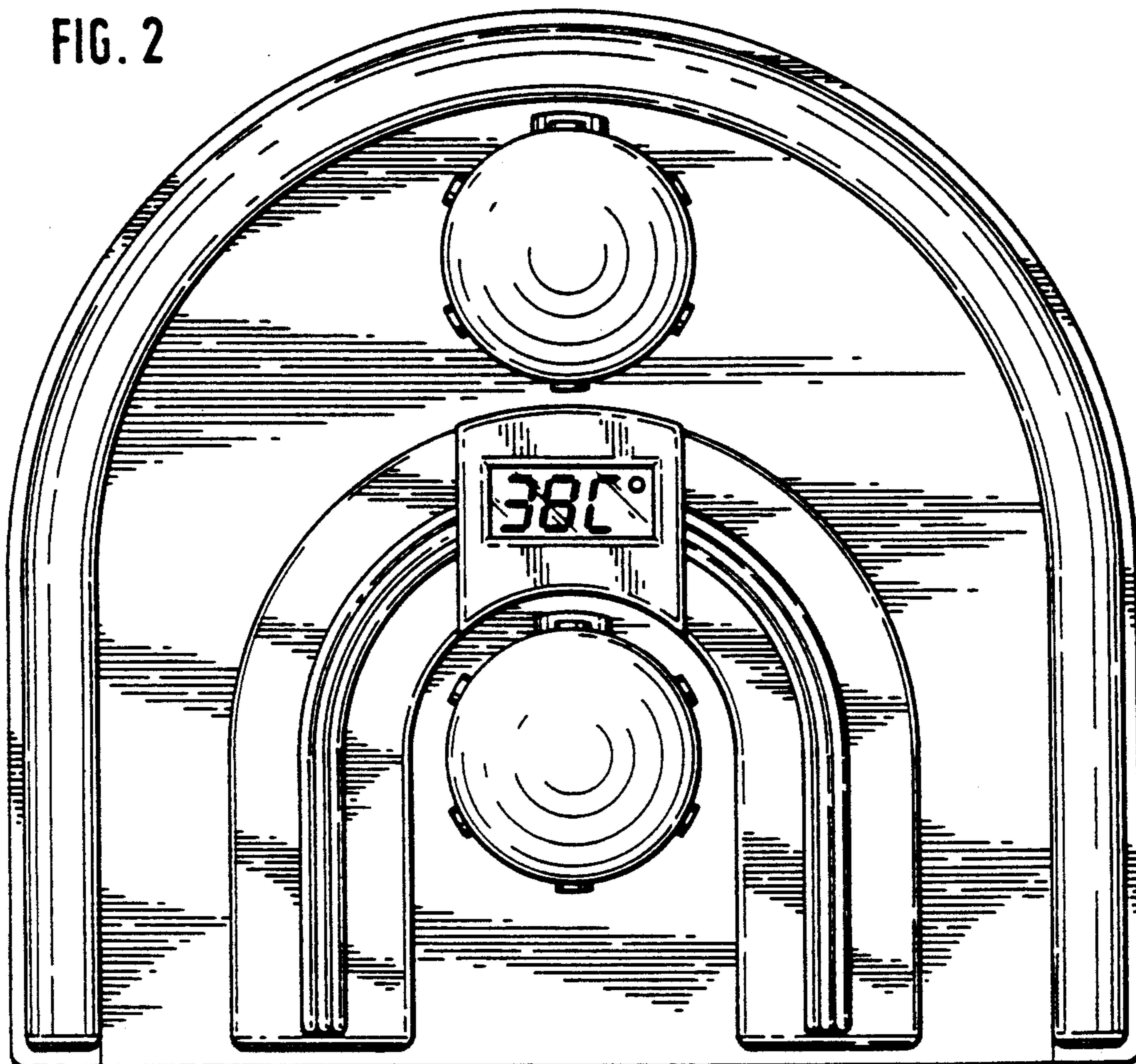


FIG. 3

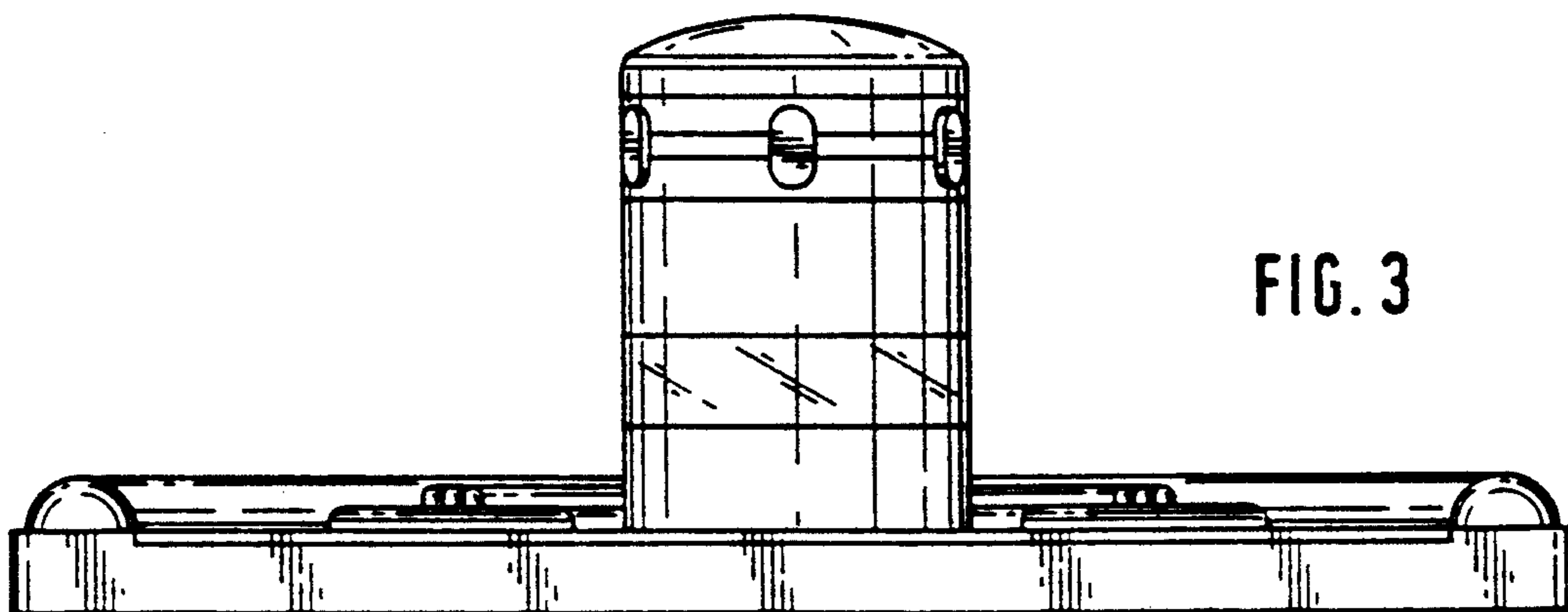


FIG. 4

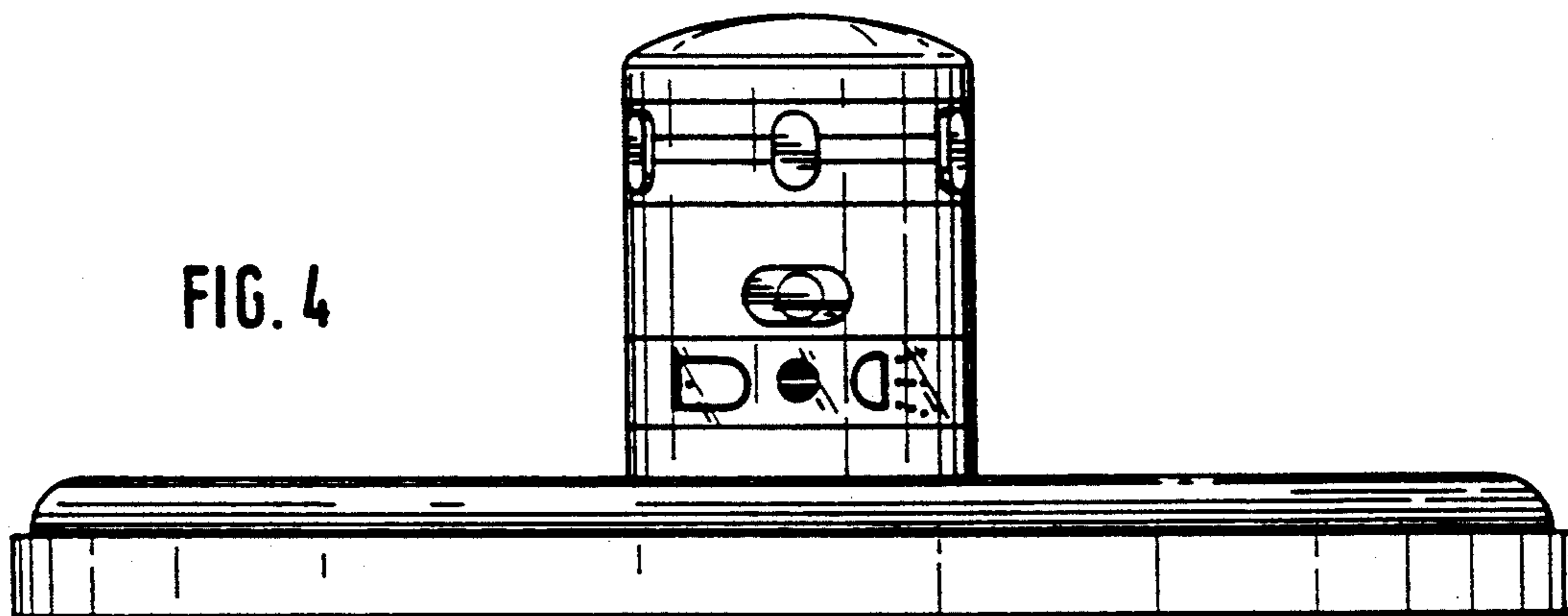
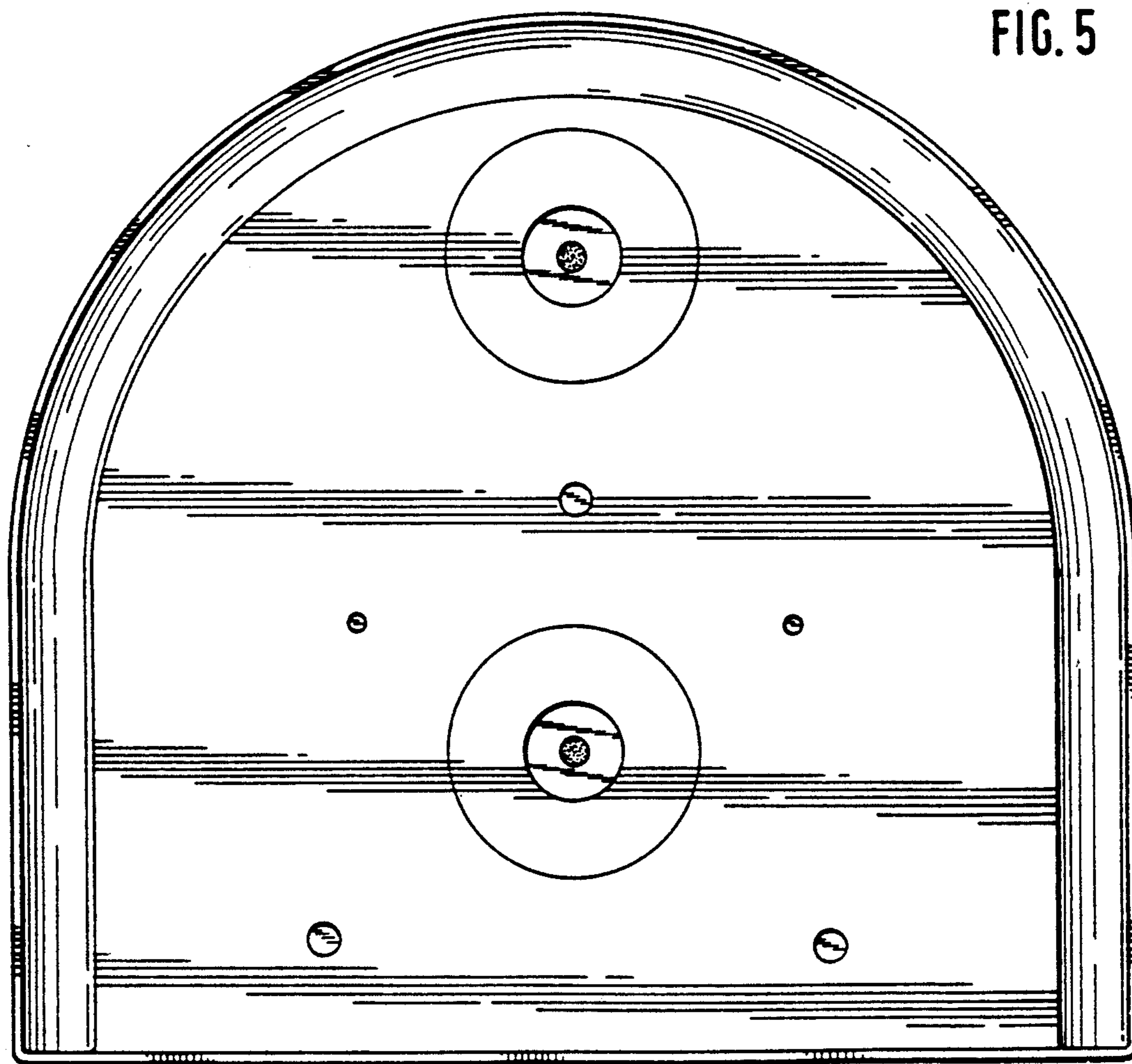


FIG. 5



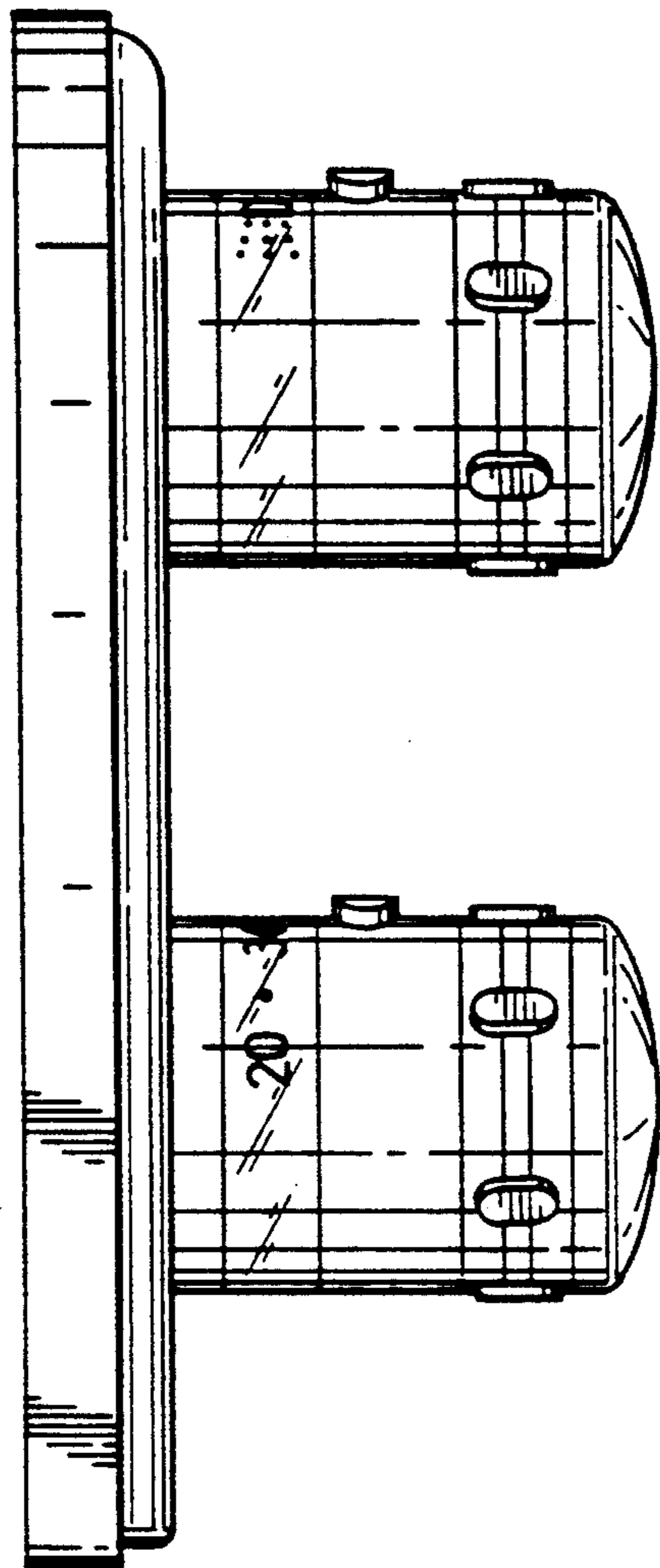


FIG. 6

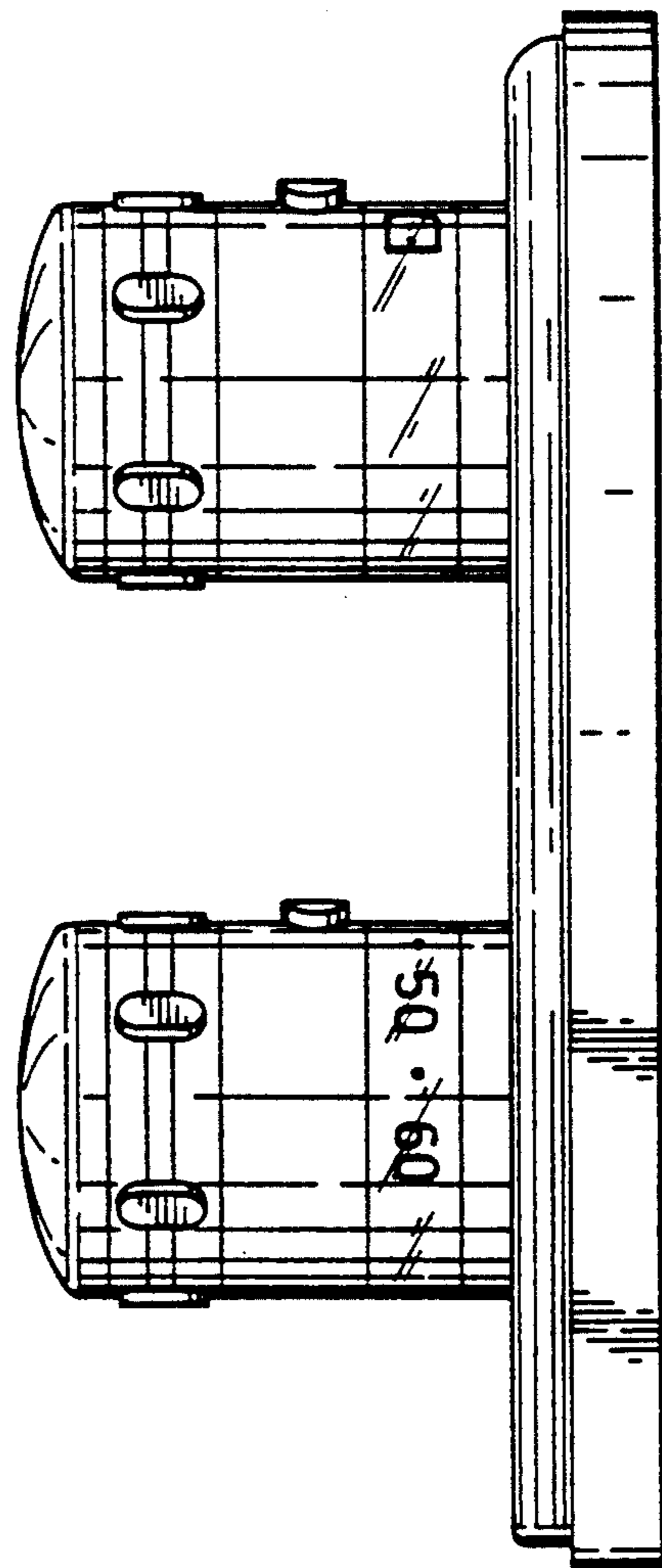


FIG. 7