



US00D339629S

United States Patent [19]

[11] **Patent Number: Des. 339,629**

Gottwald

[45] **Date of Patent: ** Sep. 21, 1993**

[54] **FAUCET**

[75] **Inventor: Adolf Gottwald, Iserlohn, Fed. Rep. of Germany**

[73] **Assignee: Friedrich Grohe Aktiengesellschaft, Hemer, Fed. Rep. of Germany**

[**] **Term: 14 Years**

[21] **Appl. No.: 717,109**

[22] **Filed: Jun. 18, 1991**

[30] **Foreign Application Priority Data**

Dec. 21, 1990 [DE] Fed. Rep. of Germany M 90 08 428.4

[52] **U.S. Cl. D23/241**

[58] **Field of Search D23/238-243, D23/250-254; D8/300, 307-312; 4/676, 677, 678; 137/606, 625.4, 801**

[56] **References Cited**

U.S. PATENT DOCUMENTS

D. 61,953	2/1923	Hitchcock	D23/243
D. 78,619	5/1929	Frankenberger	D23/243
D. 114,200	4/1939	Sedlon et al.	D23/238
D. 220,624	5/1971	Urban	D23/241

D. 233,235	10/1974	Arbon	D23/238
D. 242,454	11/1976	Jones	D23/241
D. 245,092	7/1977	Saether	D23/241
D. 245,093	7/1977	Saether	D23/241 X
D. 258,676	3/1981	Colani	D23/241
D. 266,348	9/1982	Piesco	D23/252
D. 268,513	4/1983	Thompson	D8/312 X
D. 291,114	7/1987	Piesco	D23/239 X
D. 294,631	3/1988	Bourbon	D23/241
D. 312,118	11/1990	Son	D23/238
D. 315,194	3/1991	Haug et al.	D23/238
4,750,519	6/1988	Chao-Chun	137/625.4 X

*Primary Examiner—James R. Largen
Attorney, Agent, or Firm—Herbert Dubno*

[57] **CLAIM**

The ornamental design for a faucet, as shown.

DESCRIPTION

FIG. 1 is a front perspective view of a faucet showing my new design;
FIG. 2 is a top plan view thereof;
FIG. 3 is a front elevational view thereof;
FIG. 4 is a bottom plan view thereof;
FIG. 5 is a rear elevational view thereof;
FIG. 6 is a left-side elevational view thereof; and,
FIG. 7 is a right-side elevational view thereof.

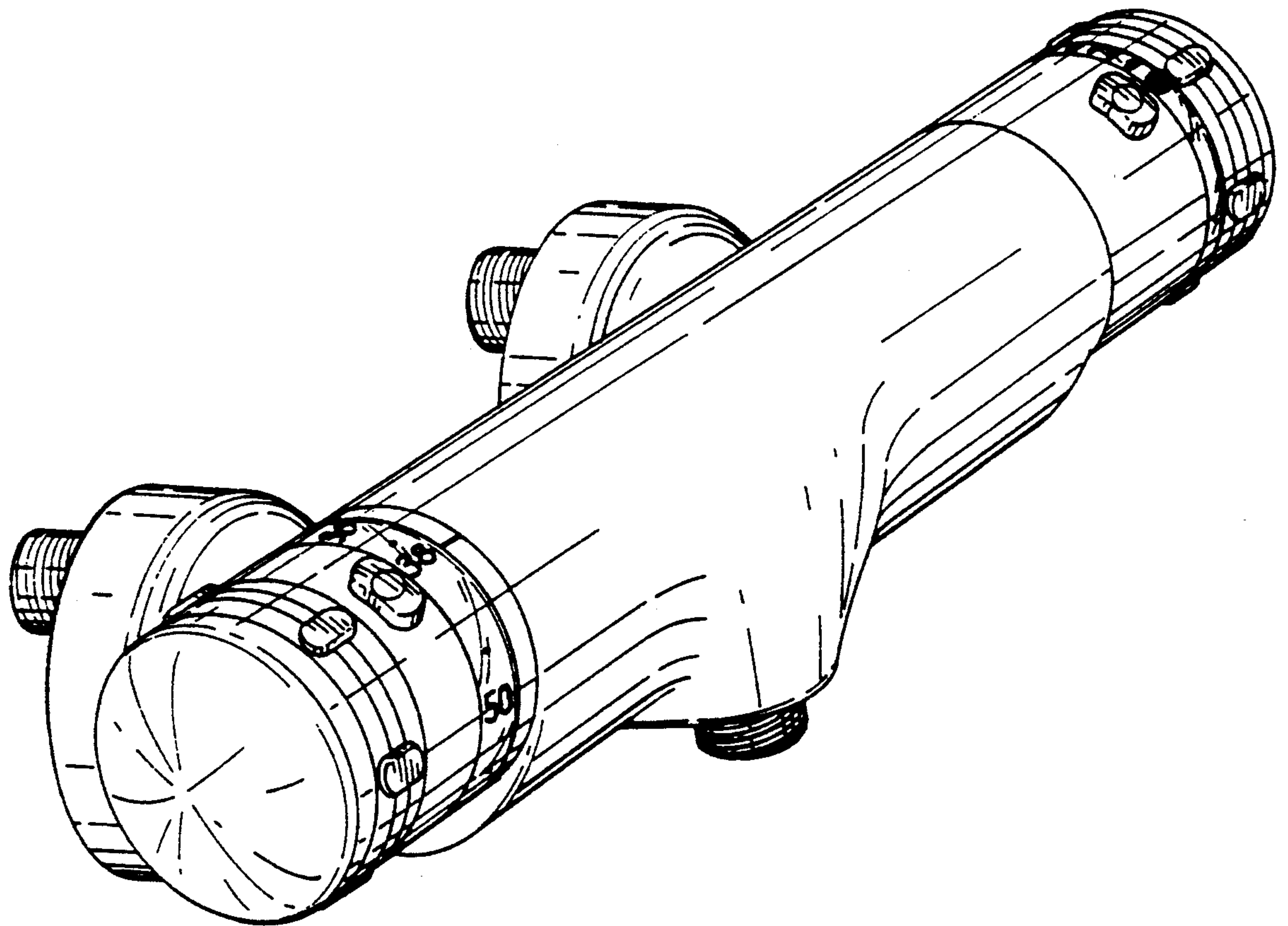
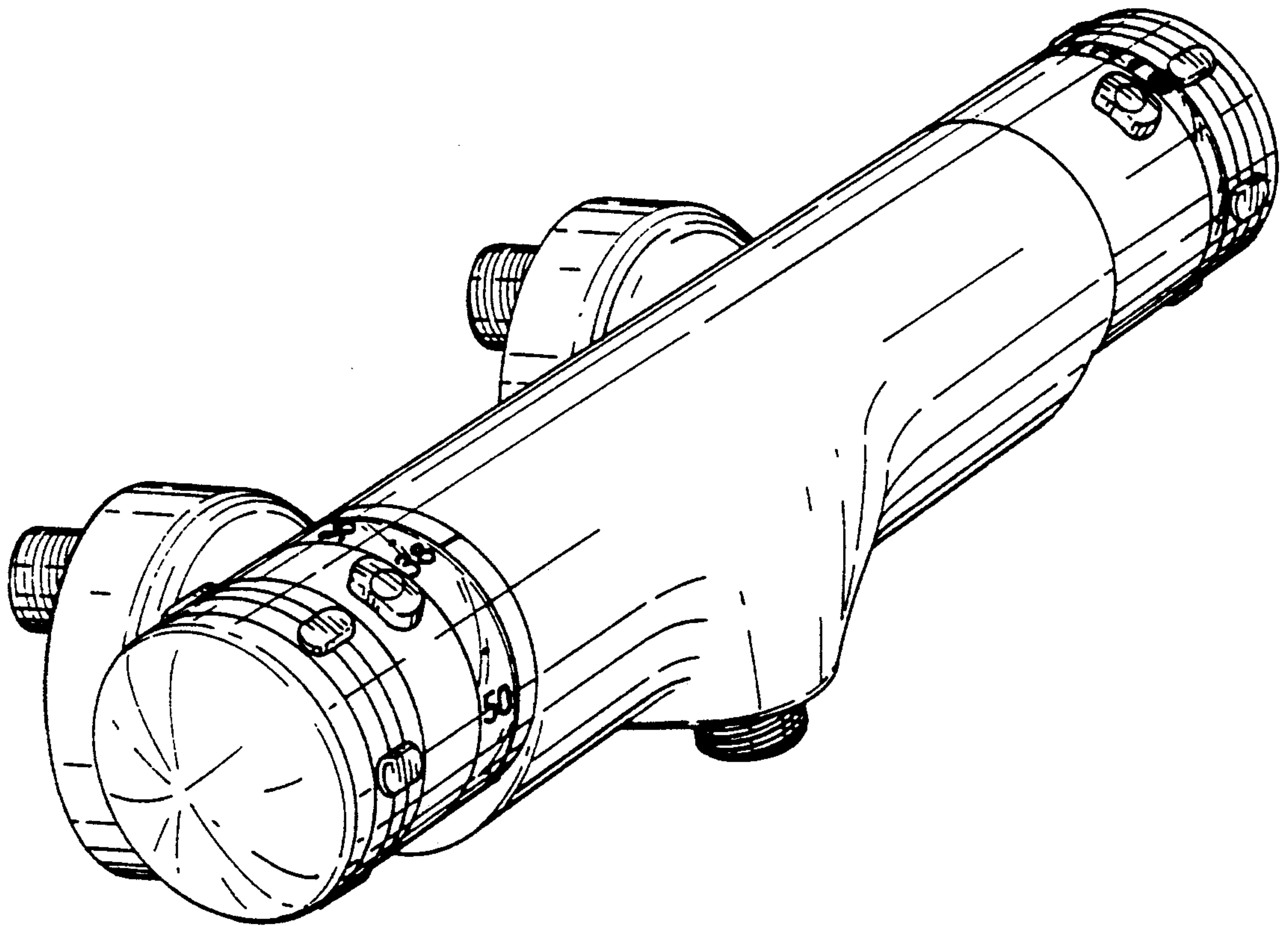


FIG. 1



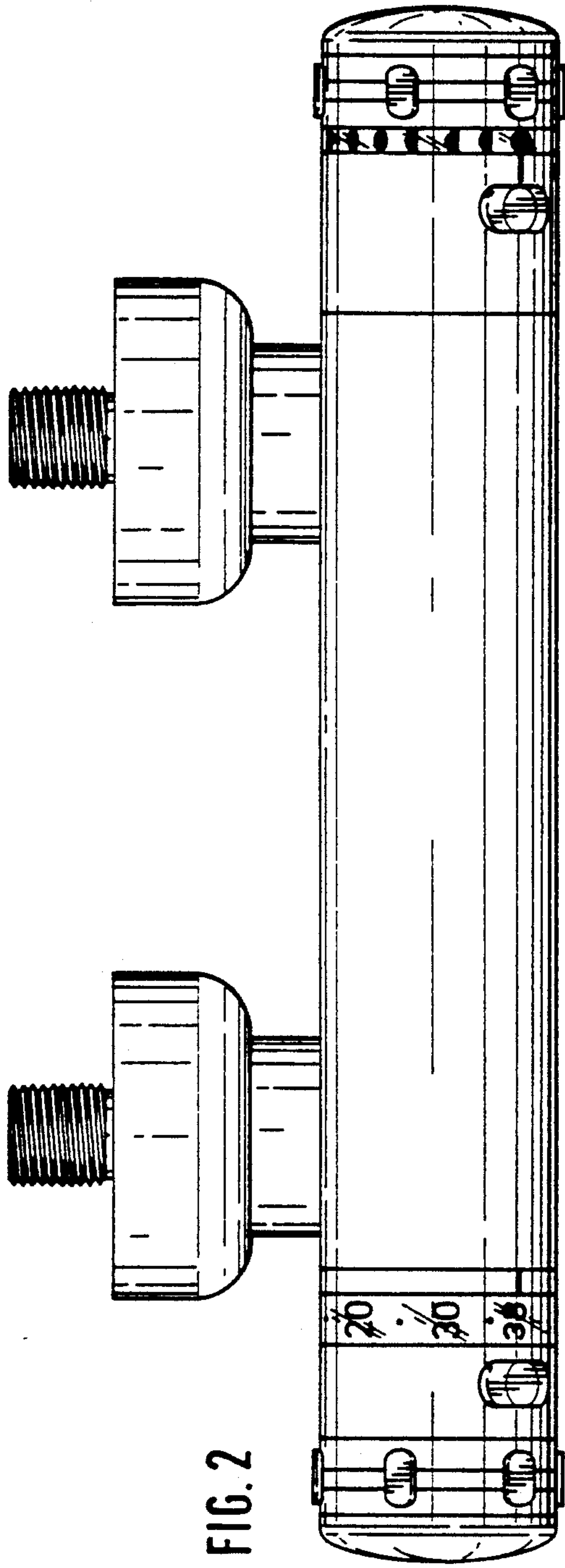
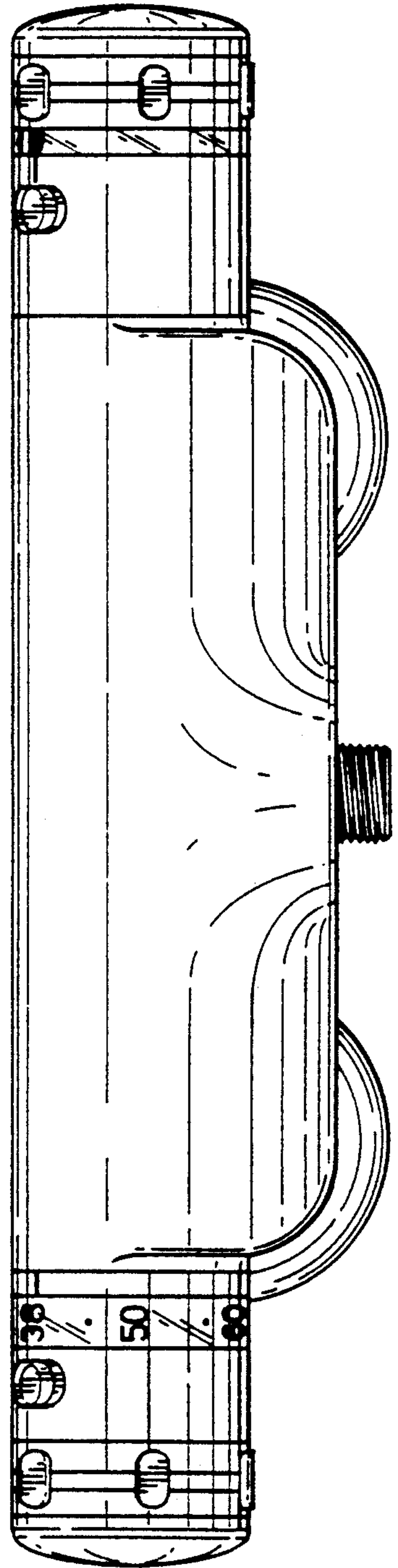


FIG. 2

FIG. 3



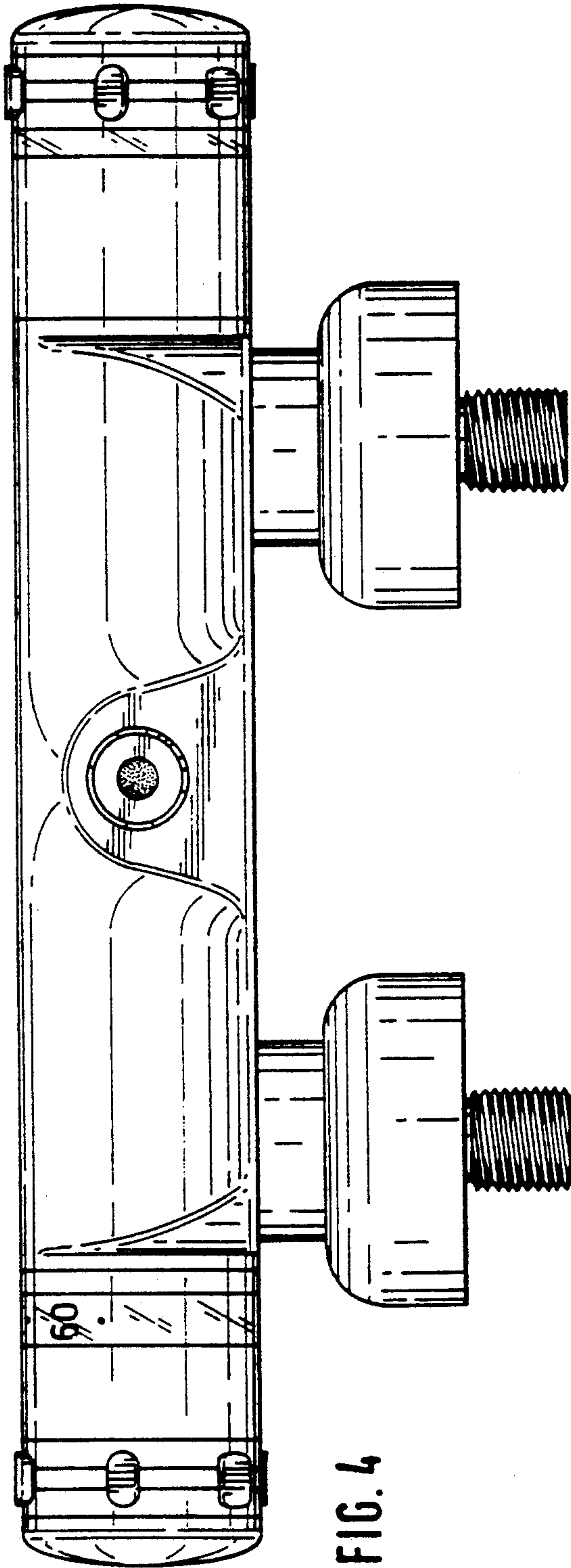


FIG. 4

FIG. 5

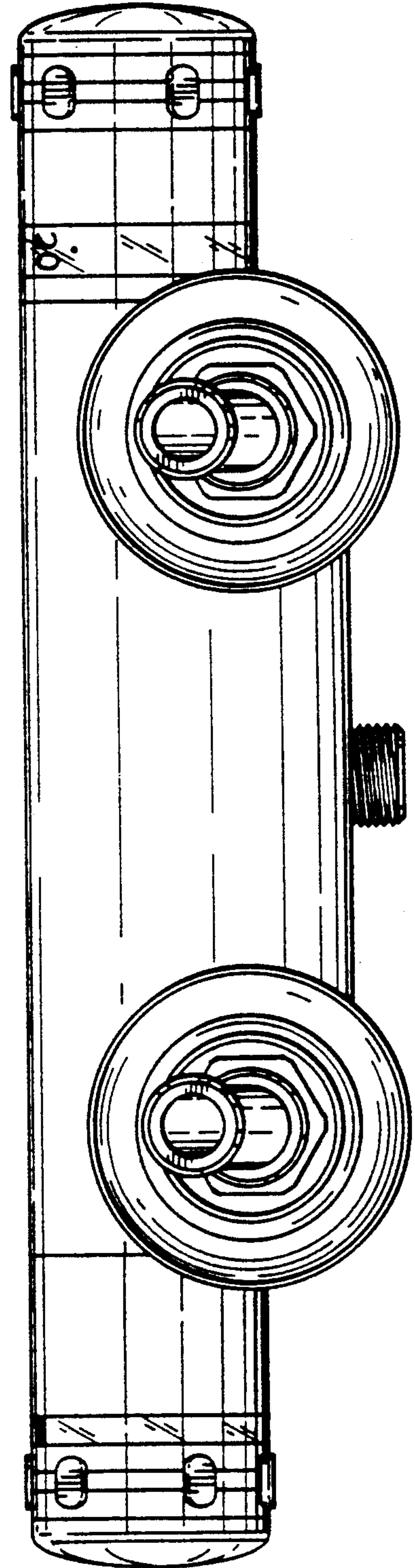


FIG. 6

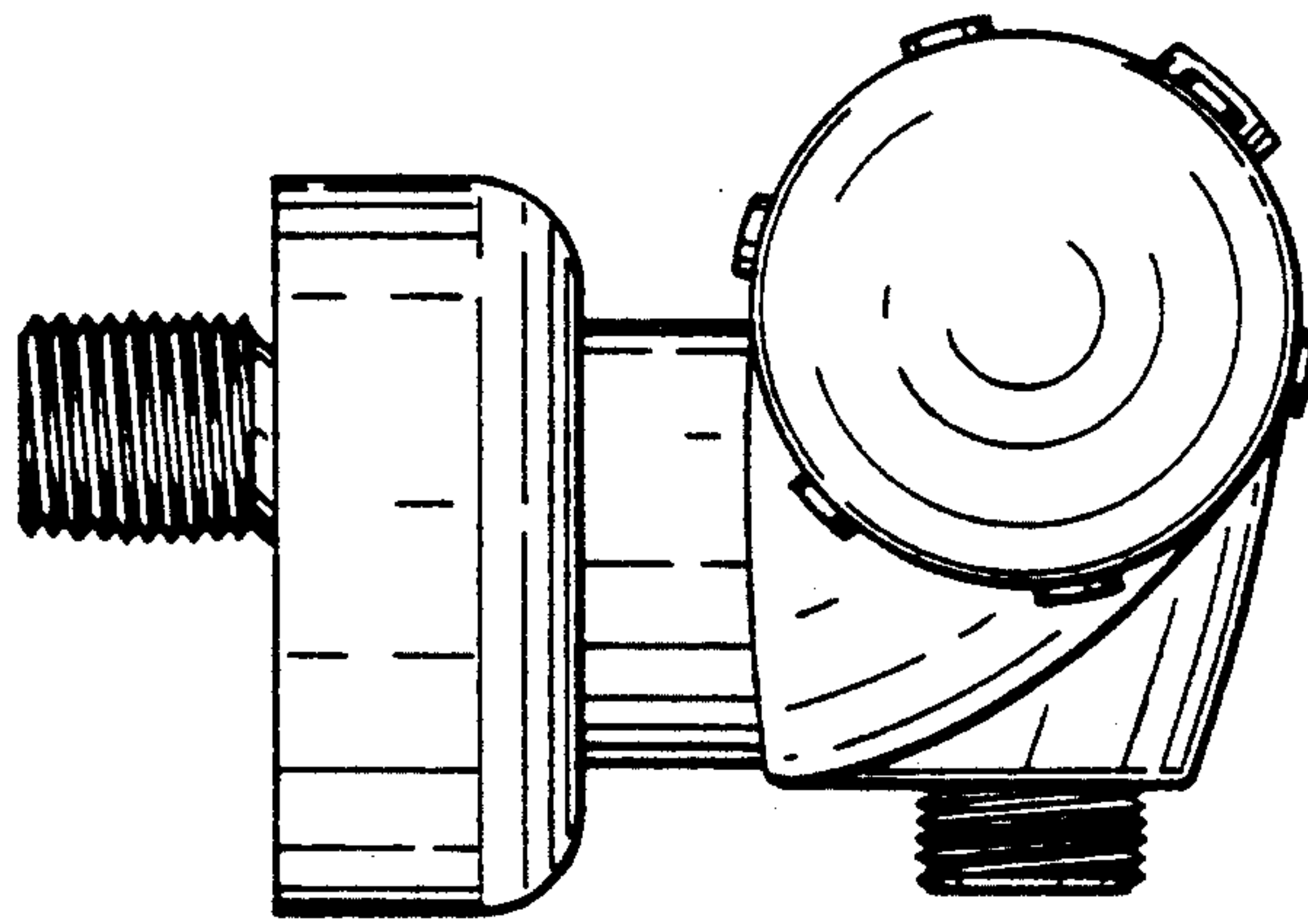


FIG. 7

