



US00D339628S

United States Patent [19]

[11] Patent Number: Des. 339,628

Jans

[45] Date of Patent: ** Sep. 21, 1993

[54] FAUCET

[75] Inventor: Franz W. Jans, Roedermark, Fed. Rep. of Germany

[73] Assignee: JADO Bathroom and Hardware Manufacturing Corp., Camarillo, Calif.

[**] Term: 14 Years

[21] Appl. No.: 811,030

[22] Filed: Dec. 19, 1991

[52] U.S. Cl. D23/238

[58] Field of Search D23/238-243, D23/250-257; 4/675-678; 137/625.17, 801

[56] **References Cited**

U.S. PATENT DOCUMENTS

D. 113,398	2/1939	Reinecke	D23/238
D. 220,101	3/1971	Brown et al.	D23/238
D. 227,762	7/1973	Arbon	D23/238
D. 291,232	8/1987	Haug et al.	D23/238
D. 291,234	8/1987	Bergmann et al.	D23/238
D. 291,235	8/1987	Bergmann et al.	D23/238
D. 292,607	11/1987	Wu	D23/238
D. 301,162	5/1989	Oberdorfer	D23/238
D. 317,646	6/1991	Yost	D23/252

D. 321,038	10/1991	Delepine	D23/238
D. 324,095	2/1992	Grohe	D23/238
D. 324,725	3/1992	Lang et al.	D23/252
D. 333,340	2/1993	Chretien	D23/238

Primary Examiner—James R. Largen

[57] **CLAIM**

The ornamental design for a faucet, as shown and described.

DESCRIPTION

FIG. 1 is a perspective view of a faucet showing my new design;

FIG. 2 is a left side elevational view thereof, the right side being a mirror image of the left side;

FIG. 3 is a front elevational view thereof;

FIG. 4 is a rear elevational view thereof;

FIG. 5 is a top plan view thereof;

FIG. 6 is a bottom plan view thereof;

FIG. 7 is a perspective view of a second embodiment thereof;

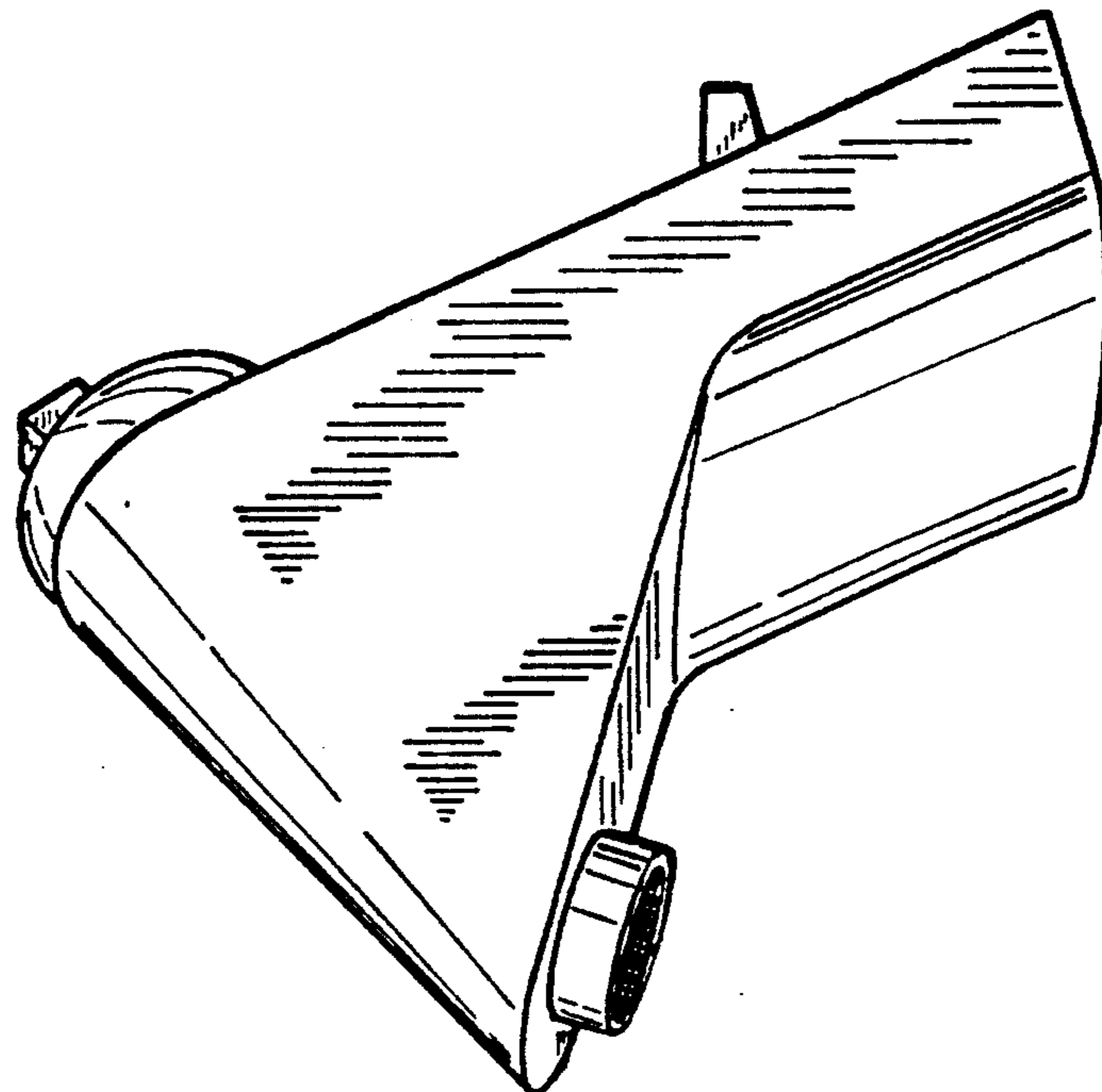
FIG. 8 is a left side elevational view of FIG. 7, the right side being a mirror image of the left side;

FIG. 9 is a front elevational view of FIG. 7;

FIG. 10 is a rear elevational view of FIG. 7;

FIG. 11 is a top plan view of FIG. 7; and,

FIG. 12 is a bottom plan view of FIG. 7.



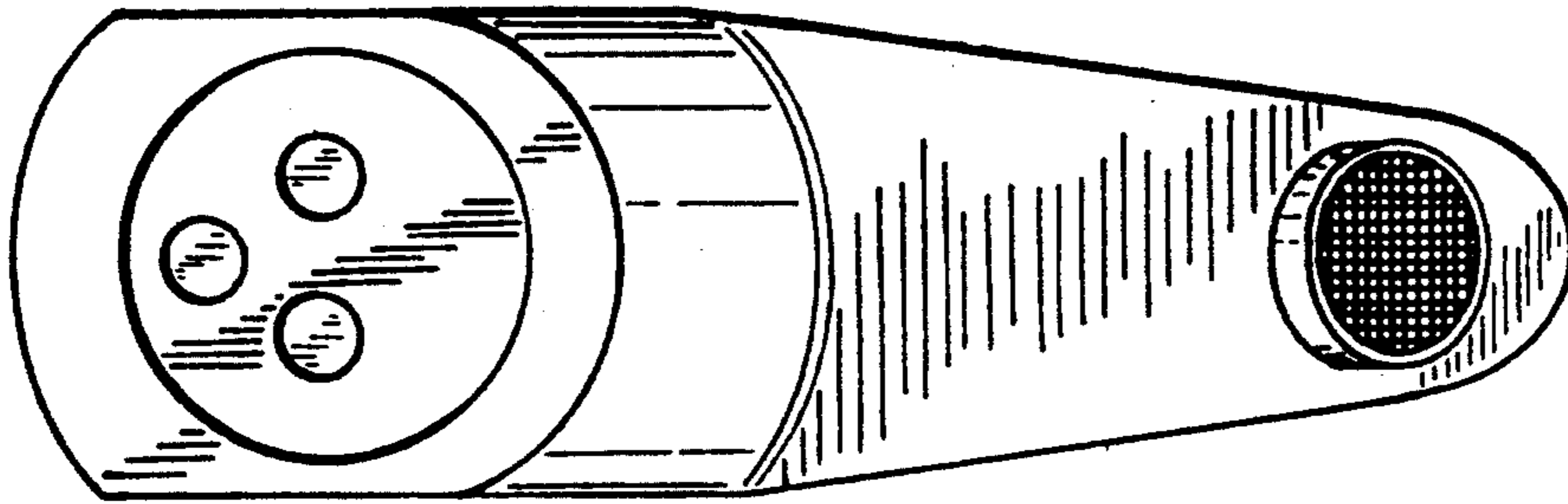


FIG.-6

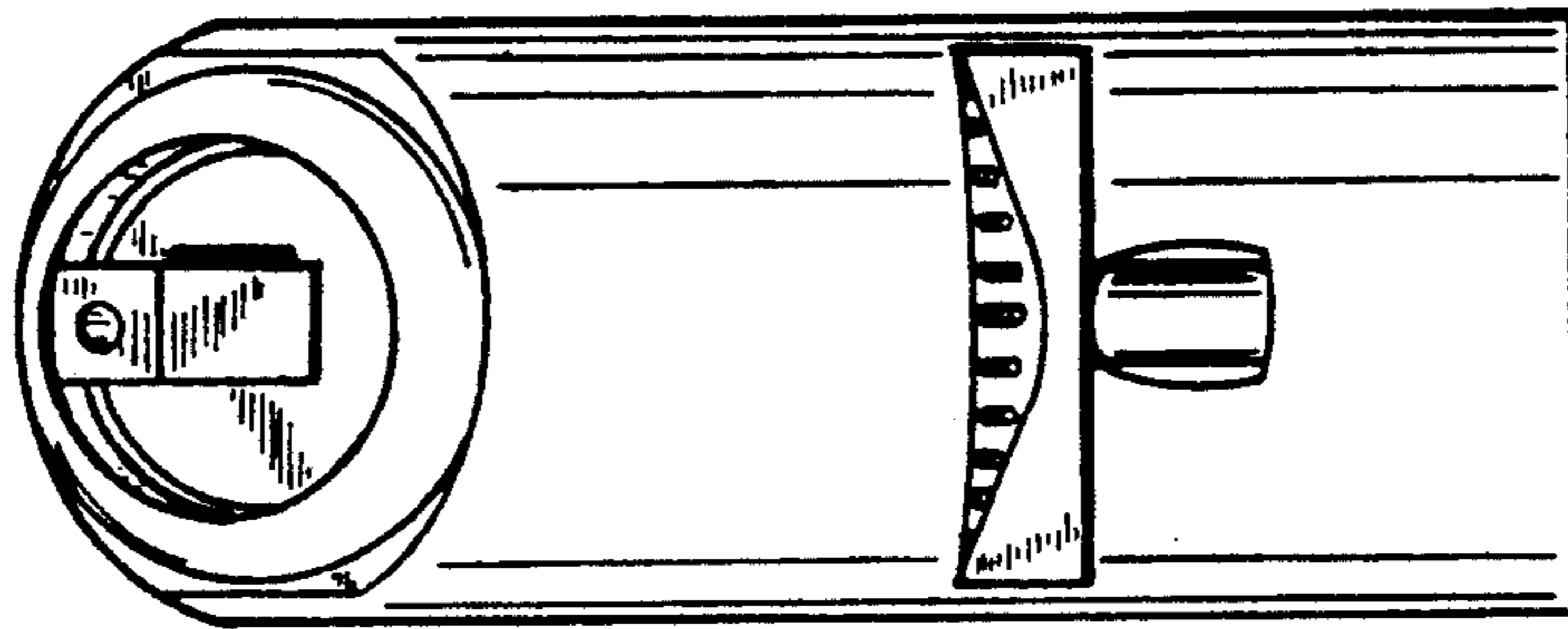


FIG.-4

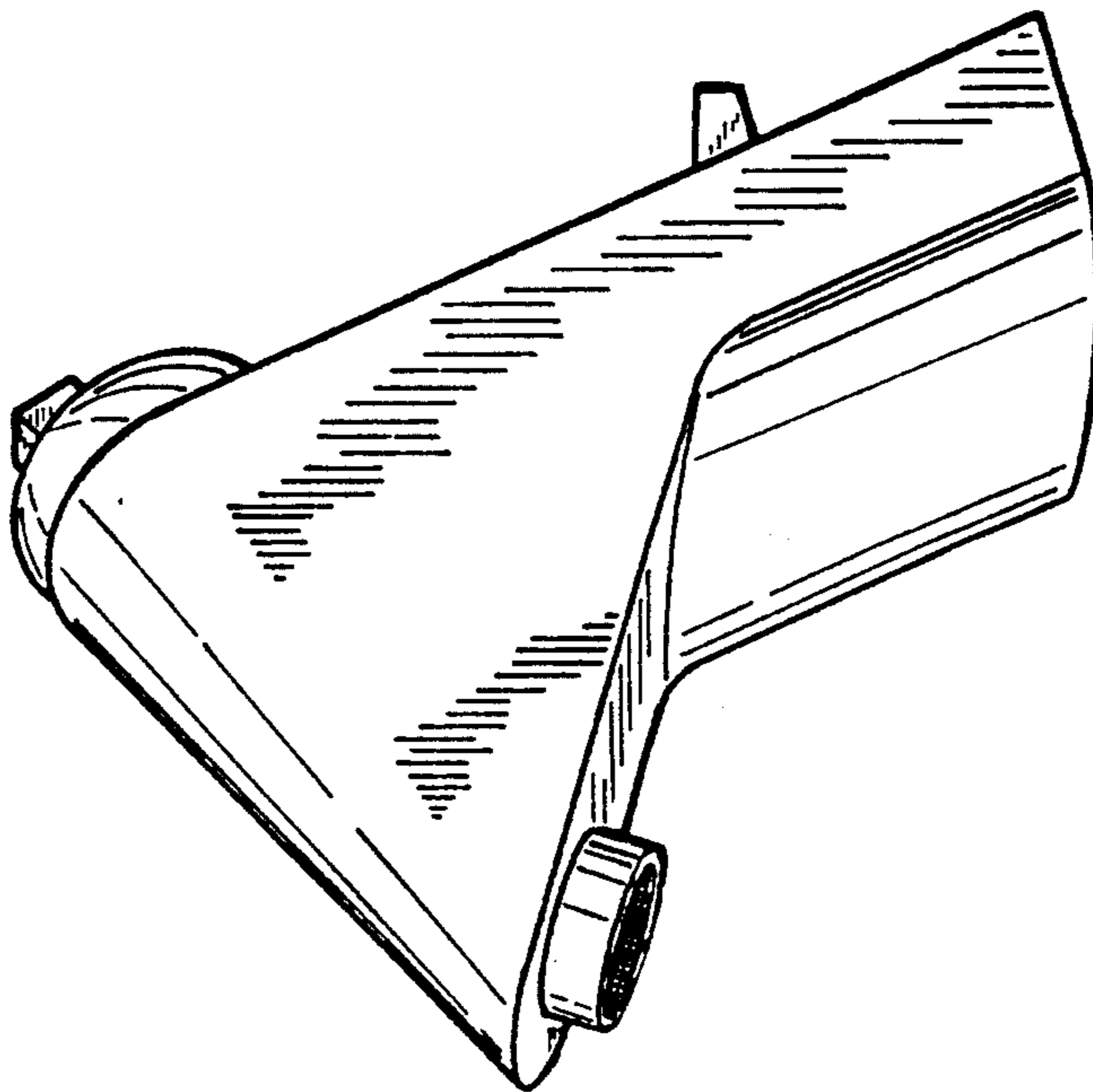


FIG.-1

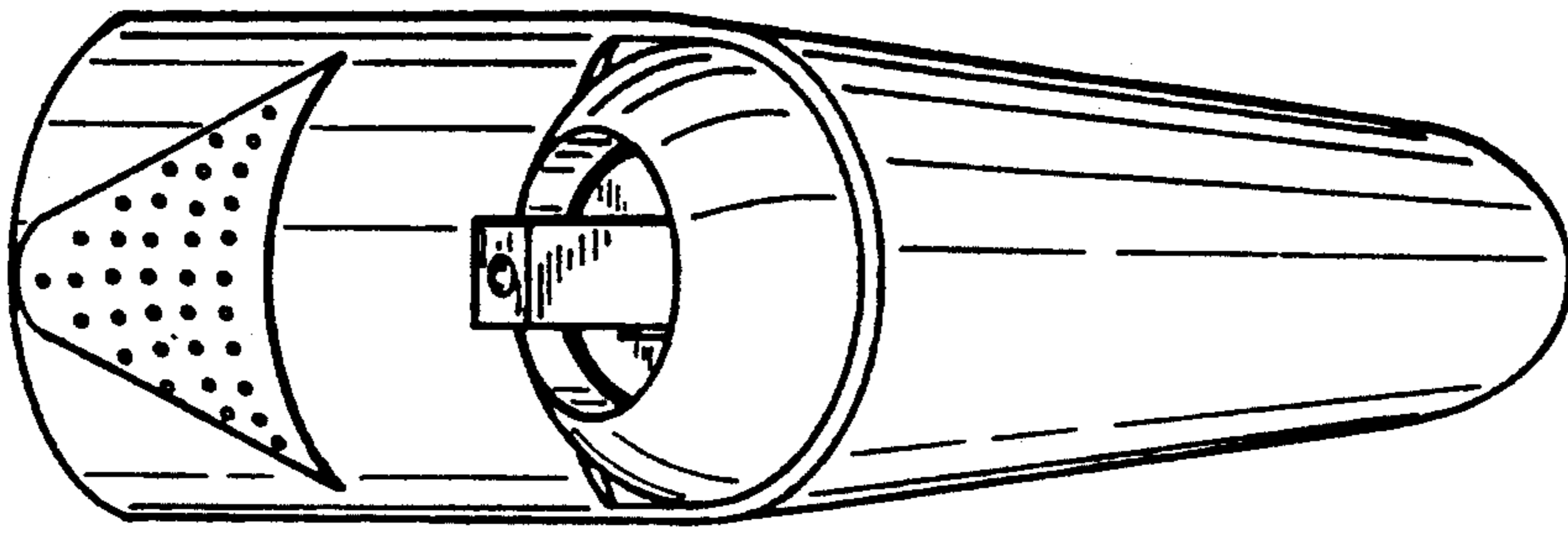


FIG. 5

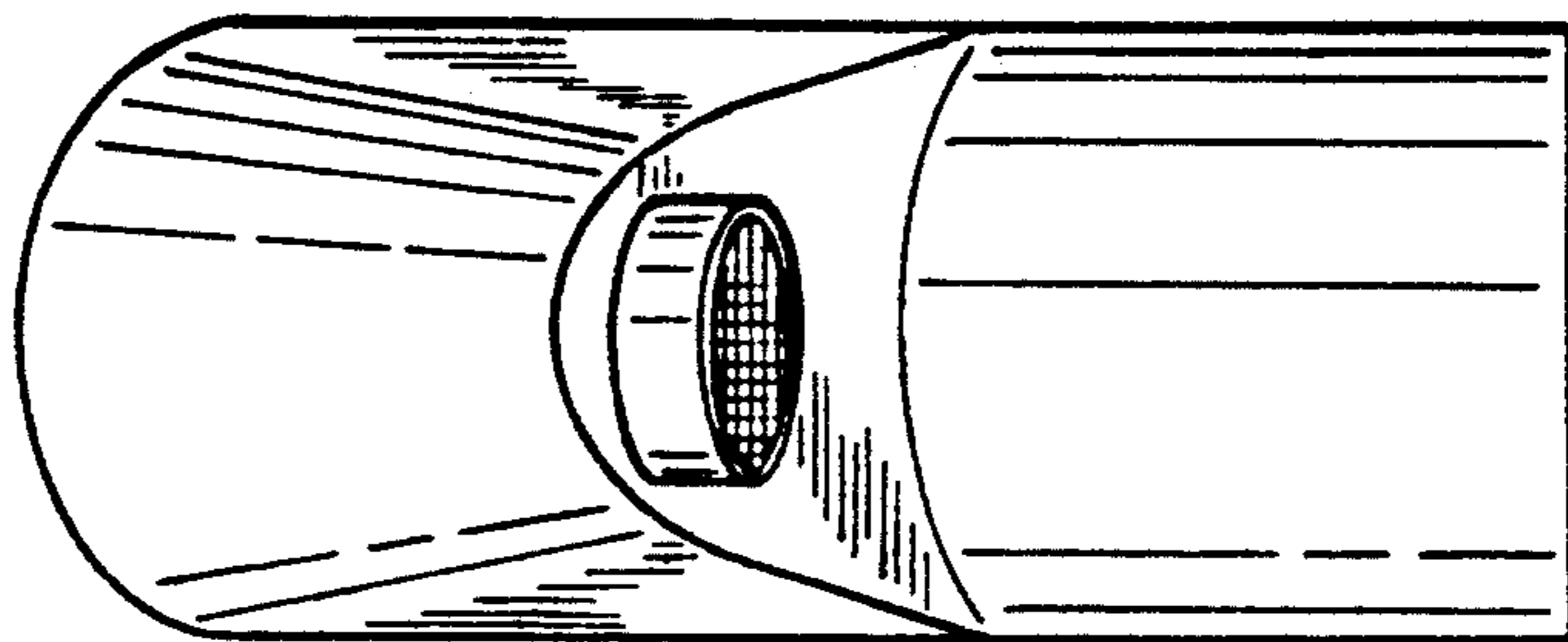


FIG. 3

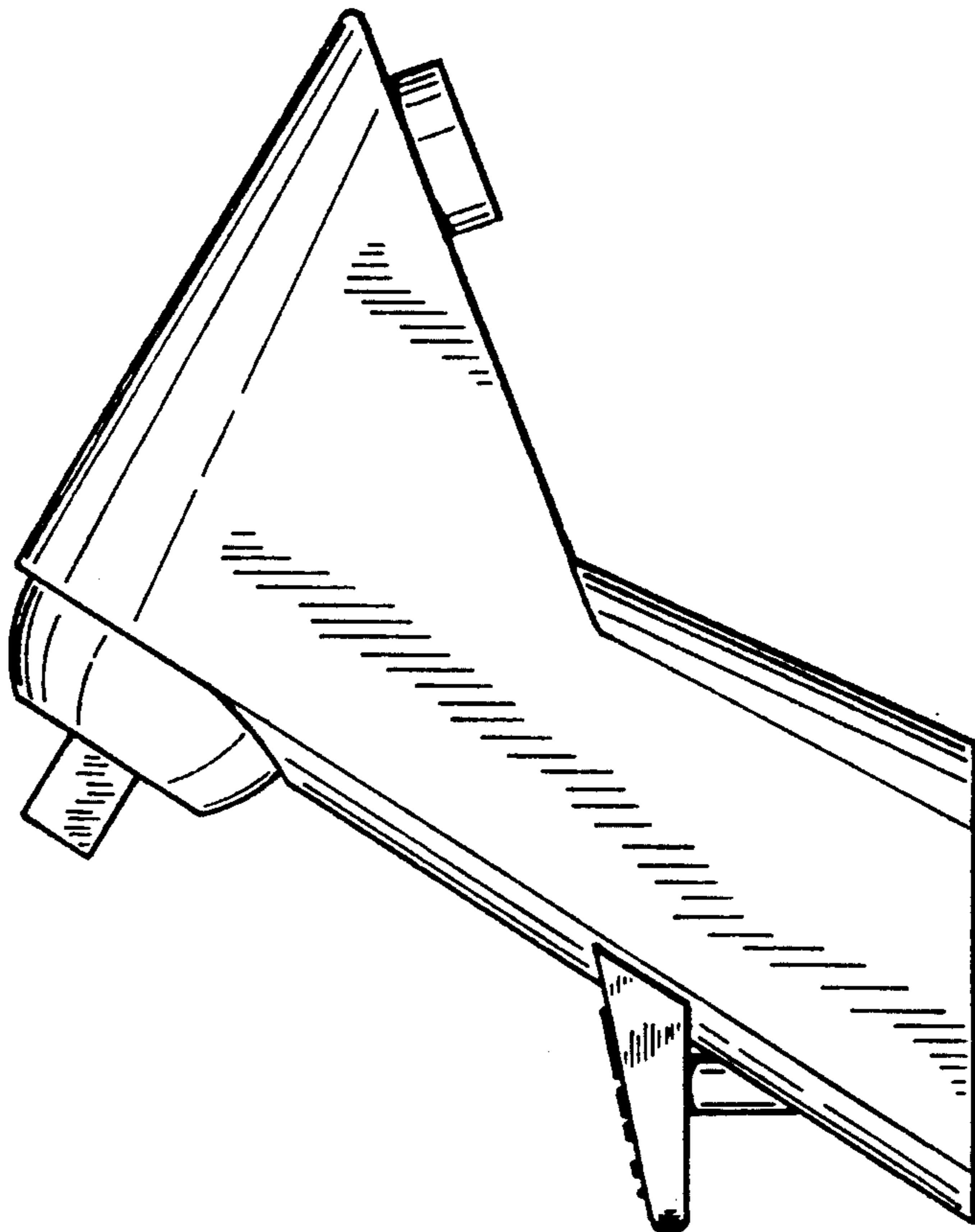


FIG. 2

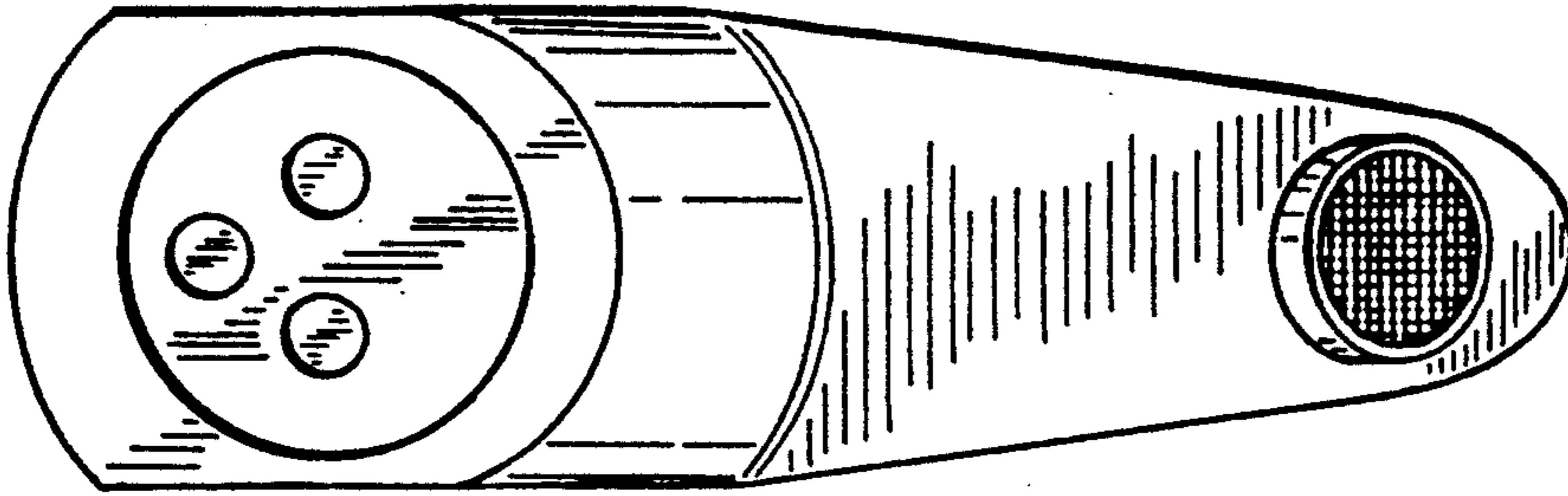


FIG.-12

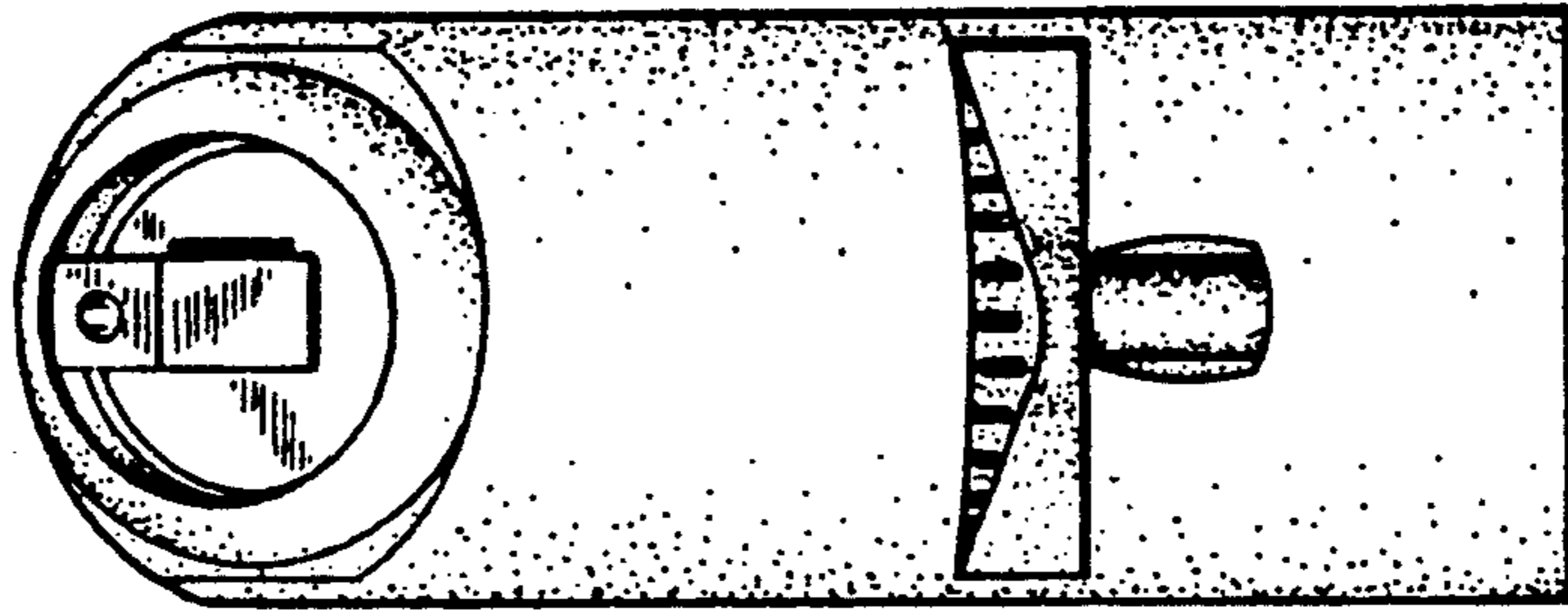


FIG.-10

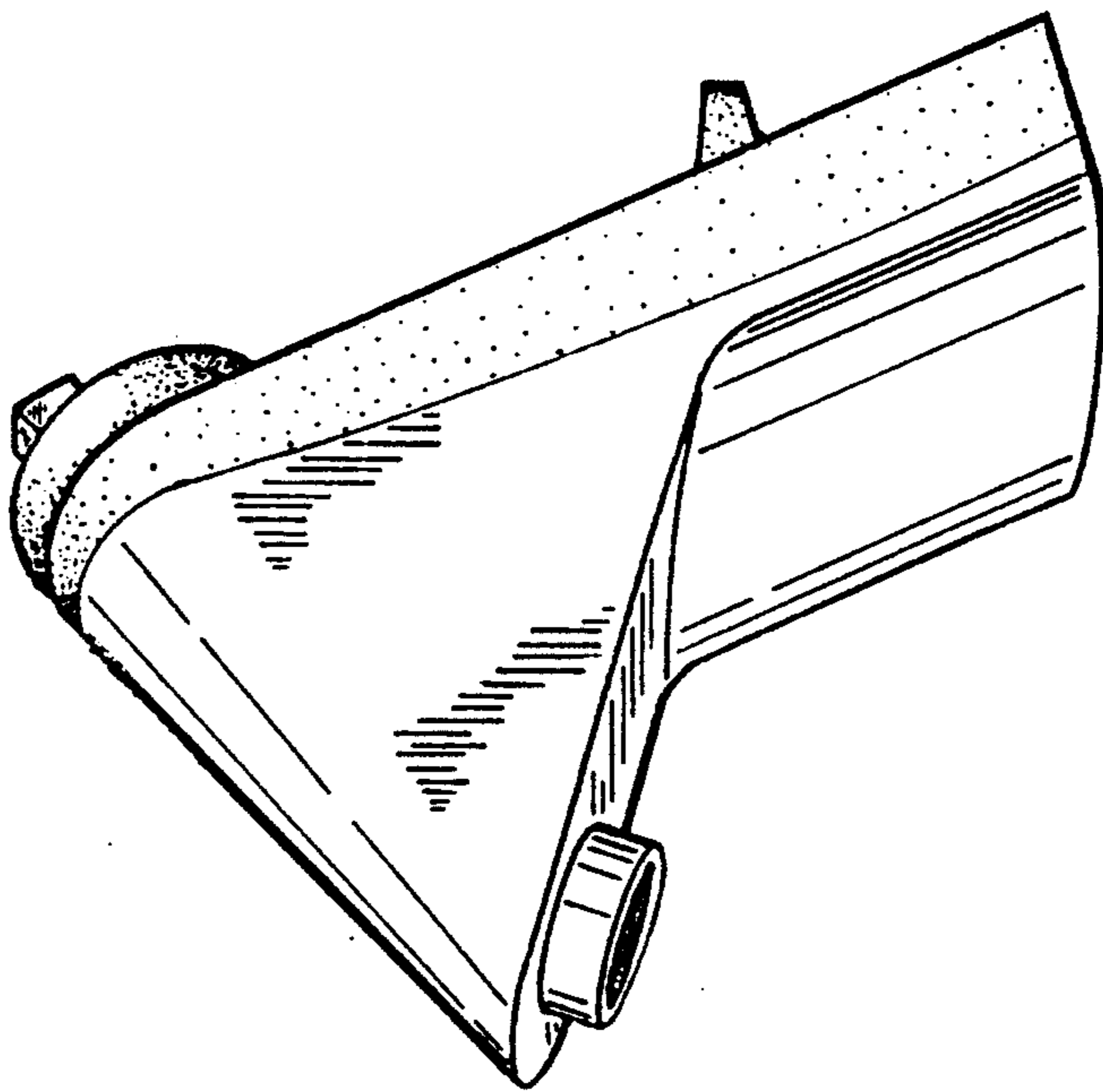


FIG.-7

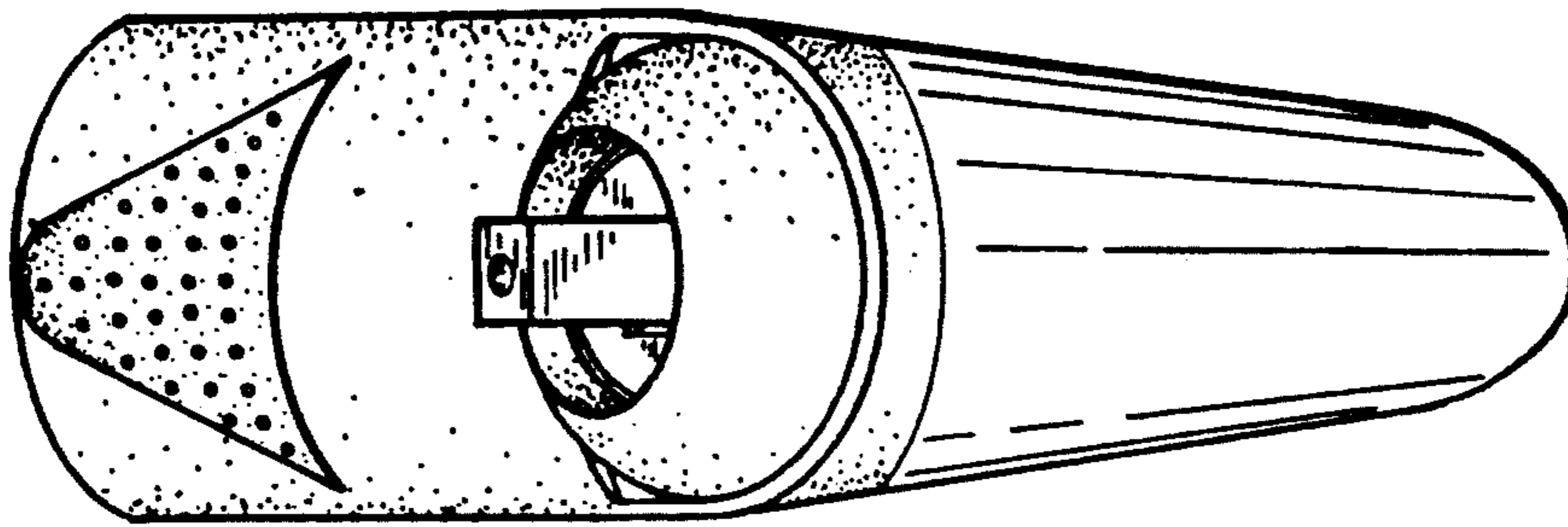


FIG. 11

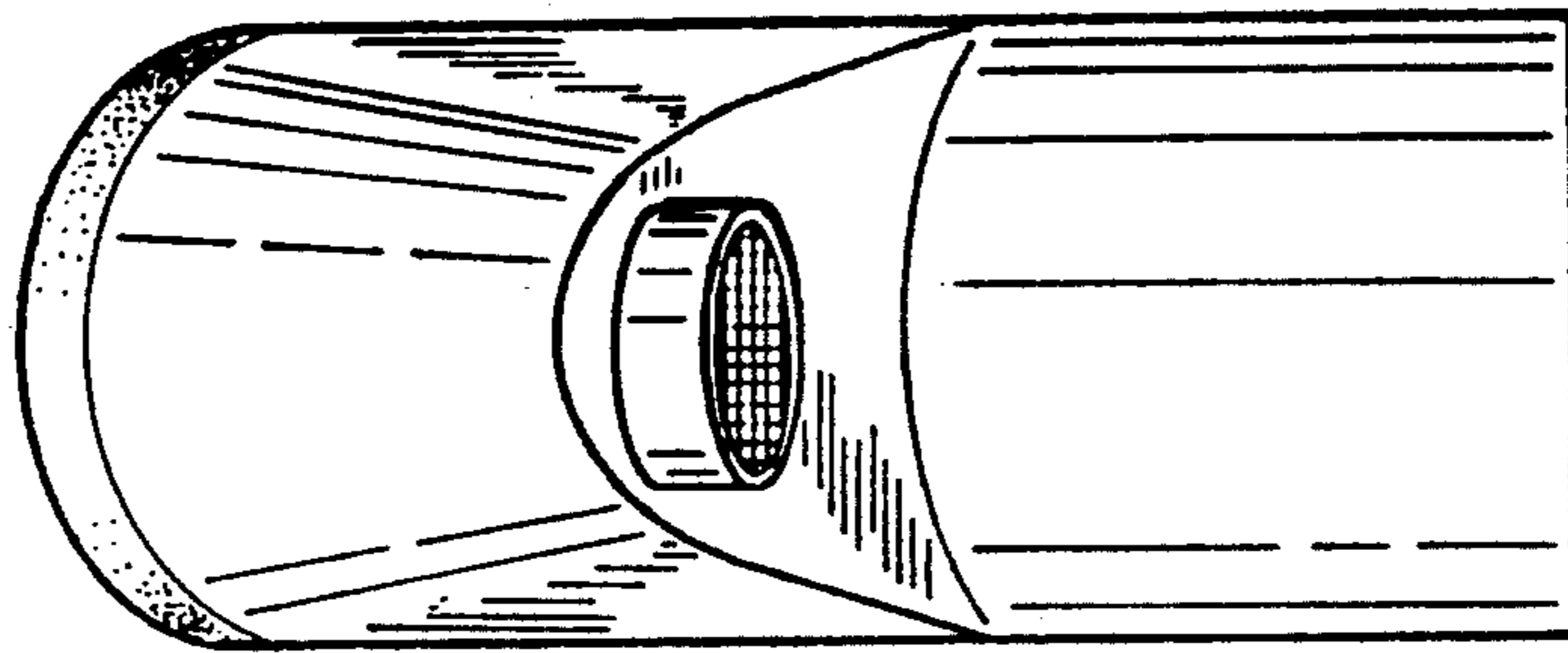


FIG. 9

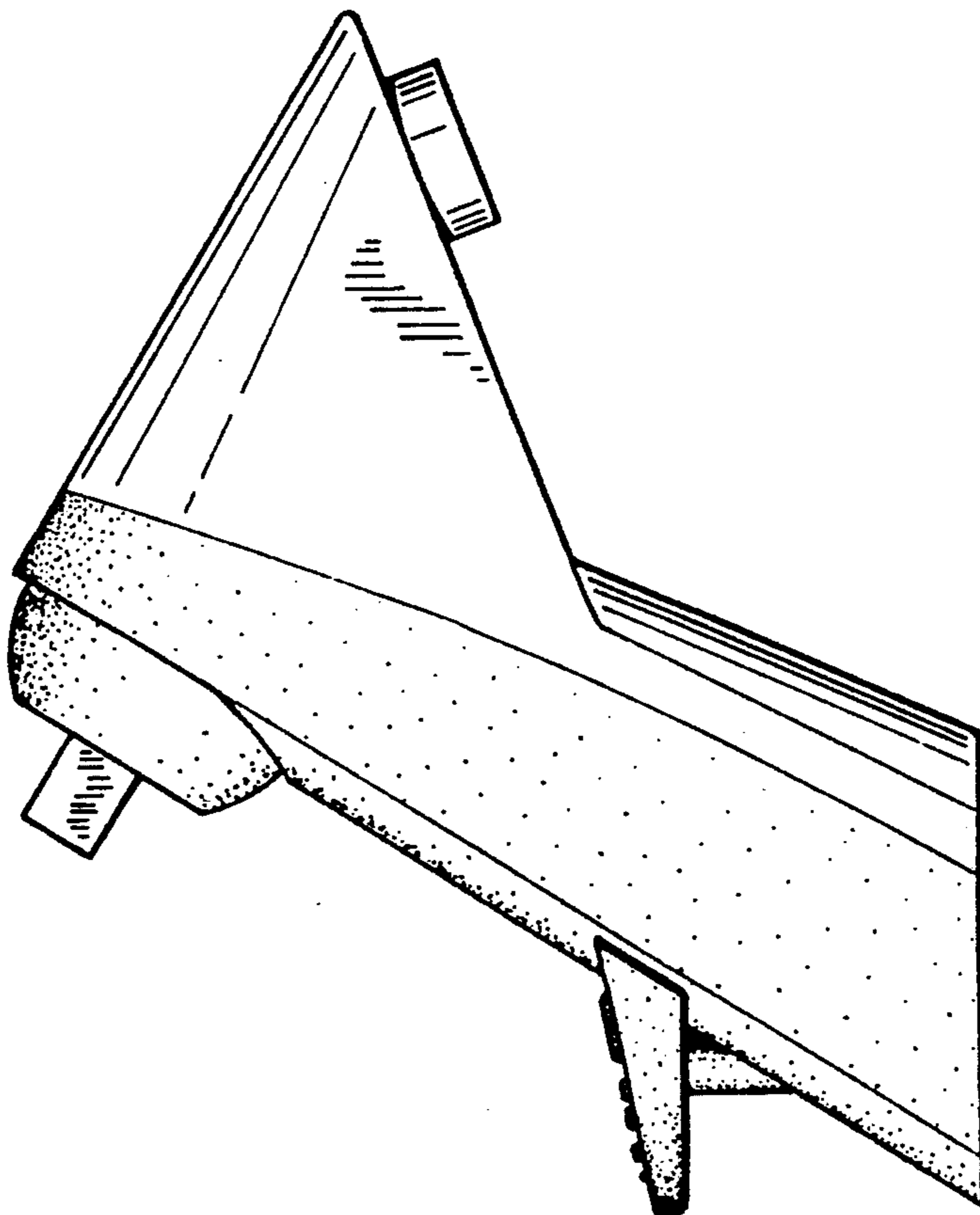


FIG. 8