



US00D339626S

United States Patent [19]

[11] Patent Number: **Des. 339,626**

Emerson

[45] Date of Patent: **** Sep. 21, 1993**

[54] **NOZZLE FOR INFLATING A HYPOTHERMIA BLANKET**

4,669,755 6/1987 Harris et al. 285/320 X
4,867,230 9/1989 Voss 165/46
5,165,400 11/1992 Berke 5/482 X

[75] Inventor: **Rick E. Emerson, San Jose, Calif.**

Primary Examiner—Wallace R. Burke
Assistant Examiner—M. H. Tung
Attorney, Agent, or Firm—Mason, Fenwick & Lawrence

[73] Assignee: **Advanced Warming systems, Inc., Lubbock, Tex.**

[**] Term: **14 Years**

[57] **CLAIM**

[21] Appl. No.: **786,964**

The ornamental design for a nozzle for inflating a hyperthermia blanket, as shown and described.

[22] Filed: **Nov. 4, 1991**

DESCRIPTION

[52] U.S. Cl. **D23/213**

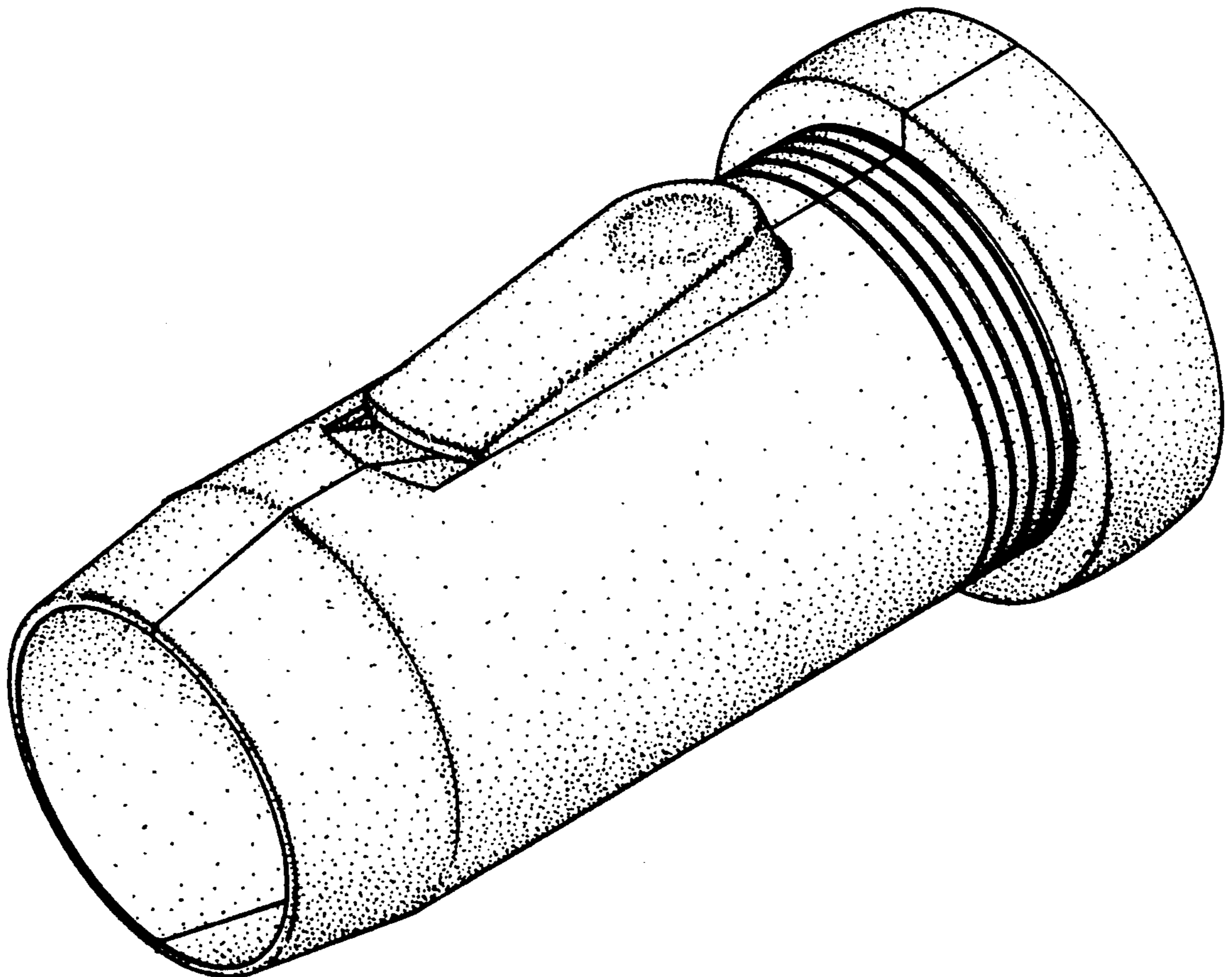
[58] Field of Search 128/400, 399; 165/46; 285/244, 320, 317; 5/482; D23/200, 213, 223-229

FIG. 1 is a perspective view of a nozzle for inflating a hypothermia blanket showing my new design; FIG. 2 is a top elevational view thereof, with it being understood that the bottom elevational side view is a mirror image thereof; FIG. 3 is a left side elevational view thereof, with it being understood that the right side elevational view is a mirror image thereof; FIG. 4 is a front end plan view thereof; and, FIG. 5 is a rear end plan view thereof.

[56] **References Cited**

U.S. PATENT DOCUMENTS

929,067 7/1909 Williamson 285/317
2,512,559 6/1950 Williams 5/482 X
2,951,714 9/1960 Carlberg 285/317 X
4,050,632 9/1977 Wyse 239/DIG. 22 X



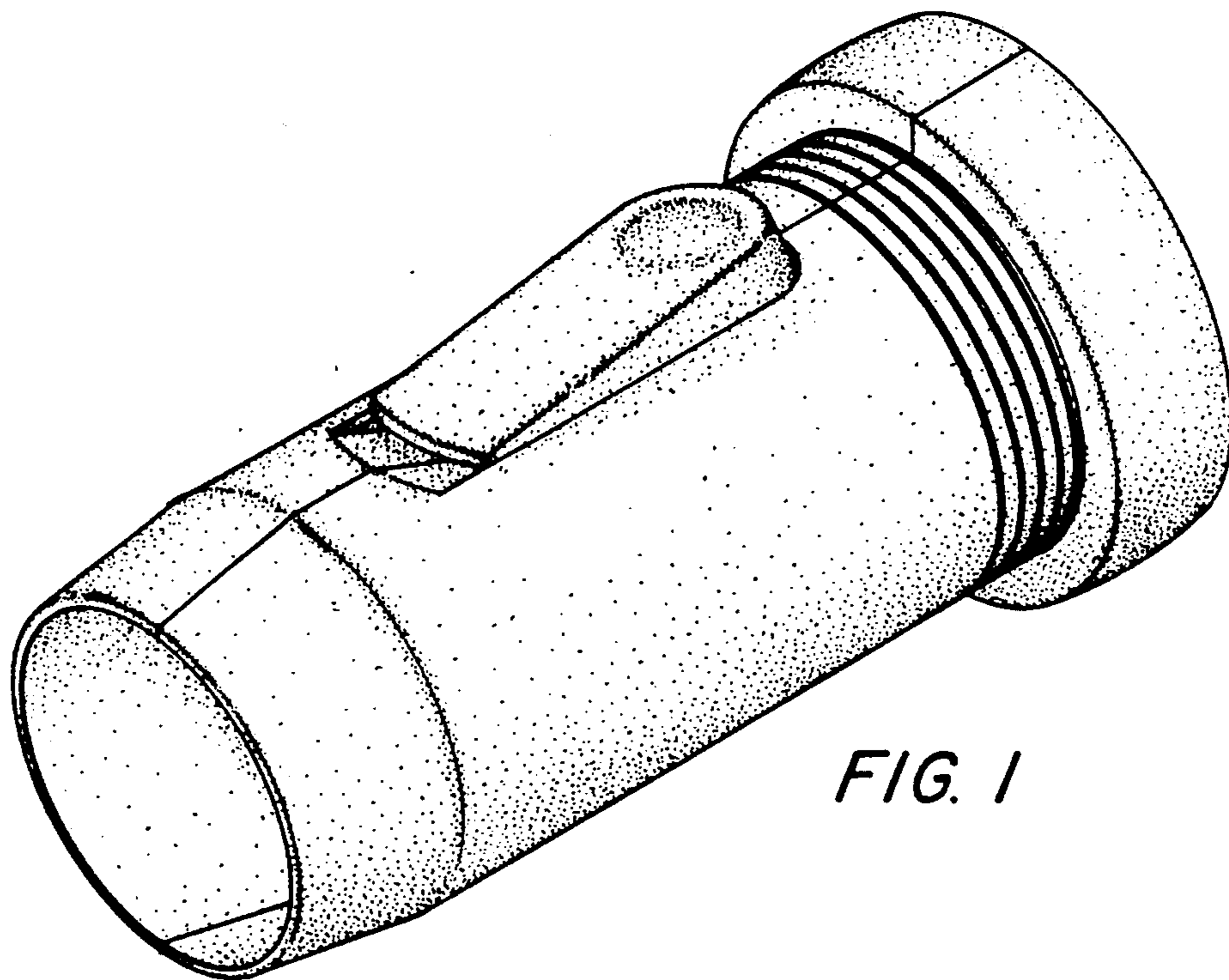


FIG. 1

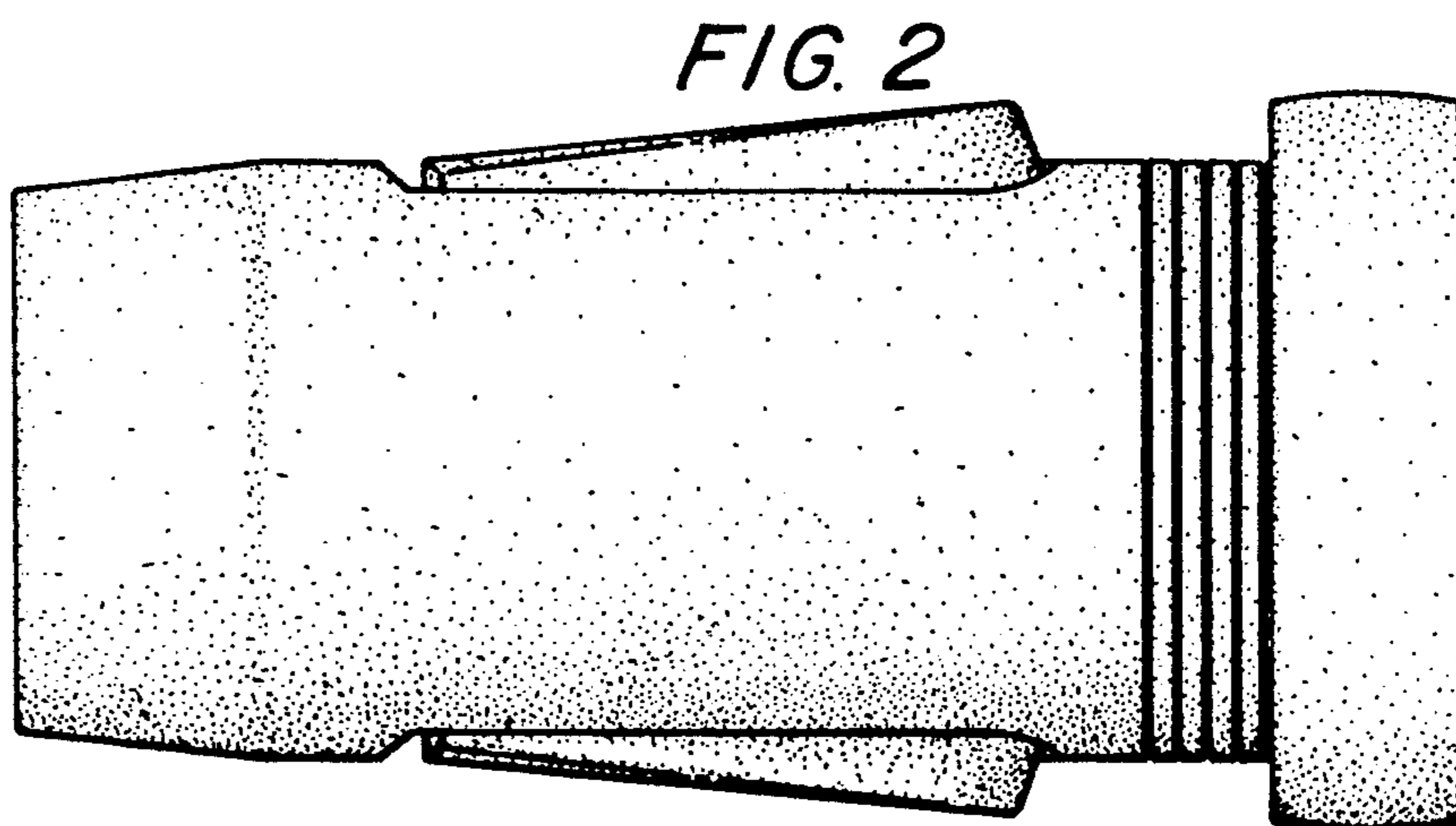


FIG. 2

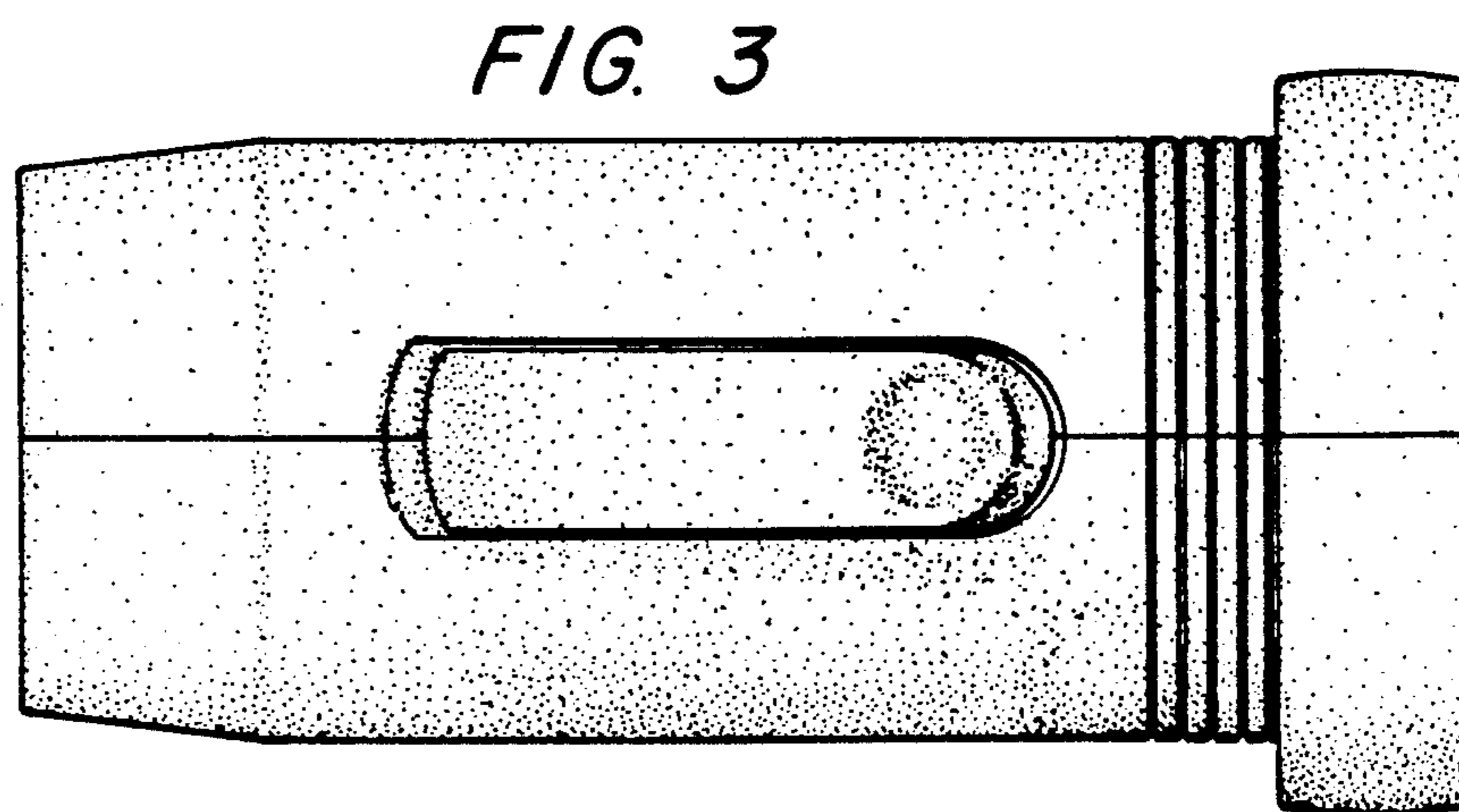


FIG. 3

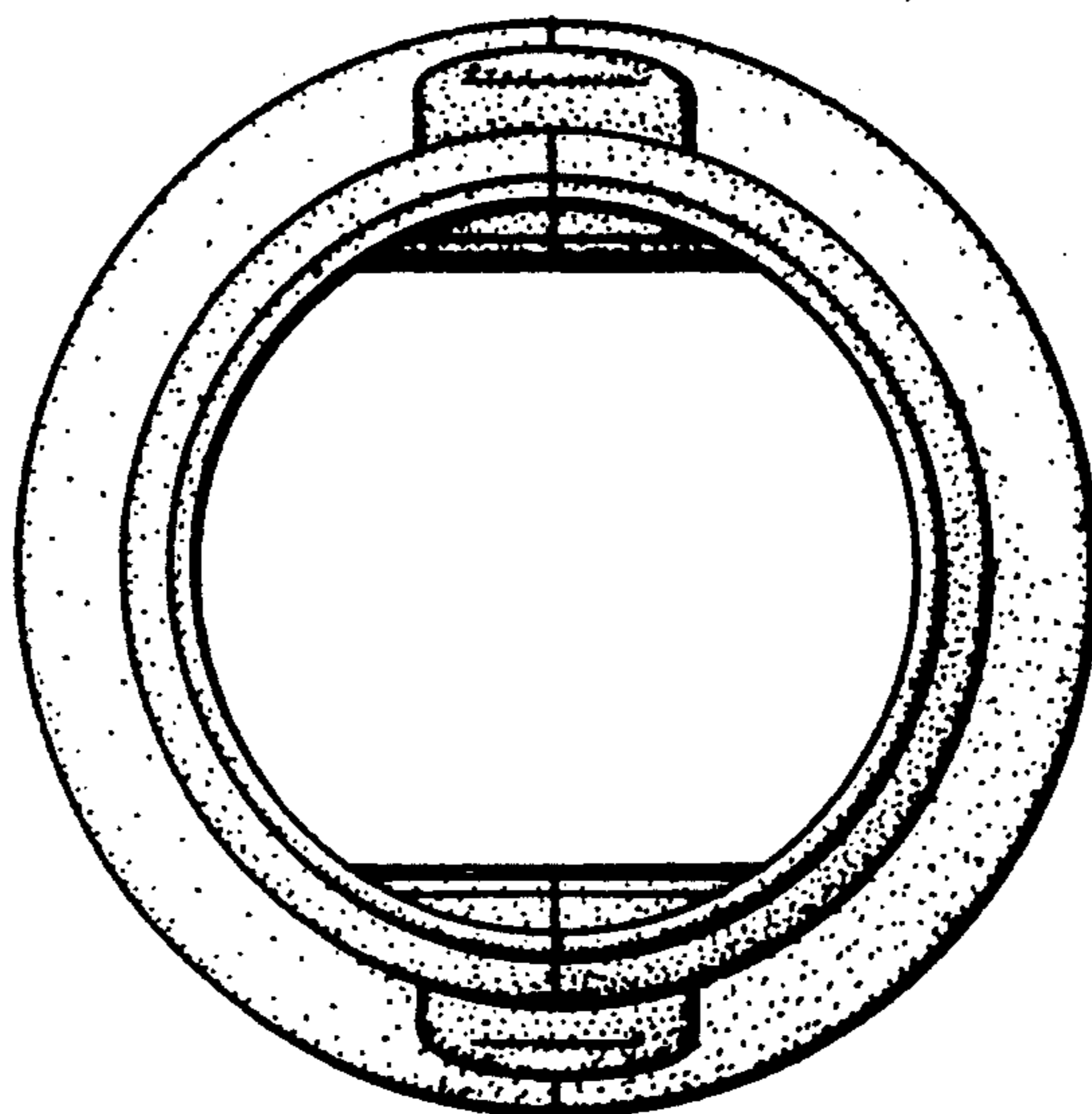


FIG. 4

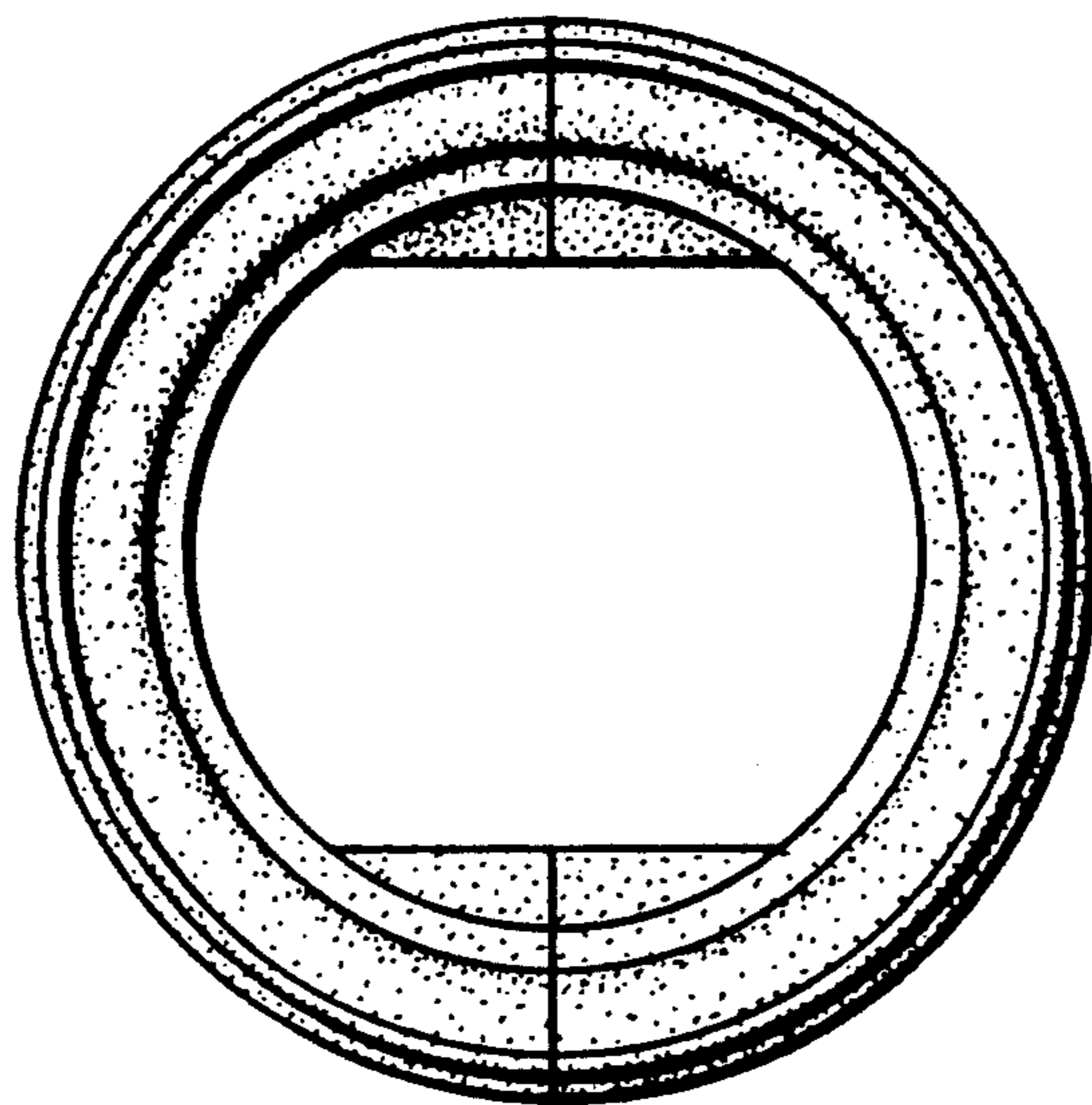


FIG. 5