



US00D339625S

# United States Patent [19]

[11] Patent Number: Des. 339,625

Brandenburg et al.

[45] Date of Patent: \*\* Sep. 21, 1993

[54] APPARATUS FOR DILUTING CHEMICAL CONCENTRATES

4,679,707 7/1987 Sedam ..... 222/325 X  
5,058,773 10/1991 Brill et al. .... 222/133 X

[75] Inventors: Allen E. Brandenburg, Austin; James M. Rubenstein, San Antonio, both of Tex.; Alexander Bally; Doris Wong, both of Pittsburgh, Pa.

Primary Examiner—Wallace R. Burke  
Assistant Examiner—M. H. Tung  
Attorney, Agent, or Firm—Mark G. Bocchetti; John W. Kane, Jr.

[73] Assignee: Scott Paper Company, Philadelphia, Pa.

### [57] CLAIM

The ornamental design for a apparatus for diluting chemical concentrates, as shown and described.

[\*\*] Term: 14 Years

### DESCRIPTION

[21] Appl. No.: 792,057

[22] Filed: Nov. 12, 1991

[52] U.S. Cl. .... D23/207

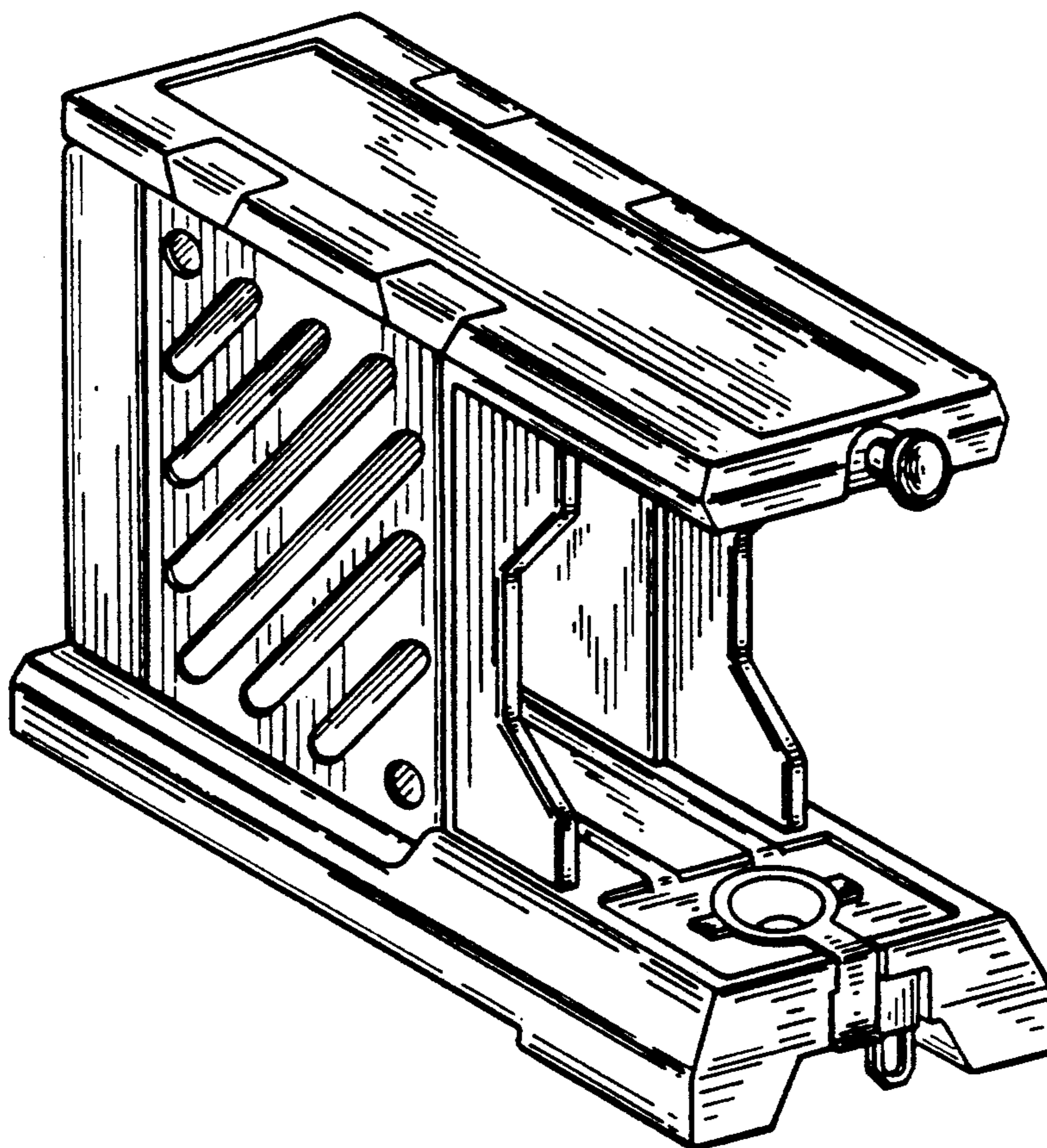
[58] Field of Search ..... D7/306-307;  
D23/200, 207-209; 222/74-75, 80-81, 129.2,  
133, 325, 360, 153, DIG. 1; 239/340

FIG. 1 is a perspective view of the apparatus for diluting chemical concentrates showing my new design; FIG. 2 is a bottom plan view of the apparatus for diluting chemical concentrates; FIG. 3 is a right side elevational view of the apparatus for diluting chemical concentrates; FIG. 4 is a left side elevational view of the apparatus for diluting chemical concentrates; FIG. 5 is a front elevational view of the apparatus for diluting chemical concentrates; FIG. 6 is a rear elevational view of the apparatus for diluting chemical concentrates; and, FIG. 7 is a top plan view of the apparatus for diluting chemical concentrates.

### [56] References Cited

#### U.S. PATENT DOCUMENTS

D. 274,779 7/1984 La Lumiere ..... D7/306 X  
D. 295,656 5/1988 Bond et al. .... D23/207  
D. 311,766 10/1990 Carrano et al. .... D23/207  
4,513,885 4/1985 Hogan ..... 222/325 X



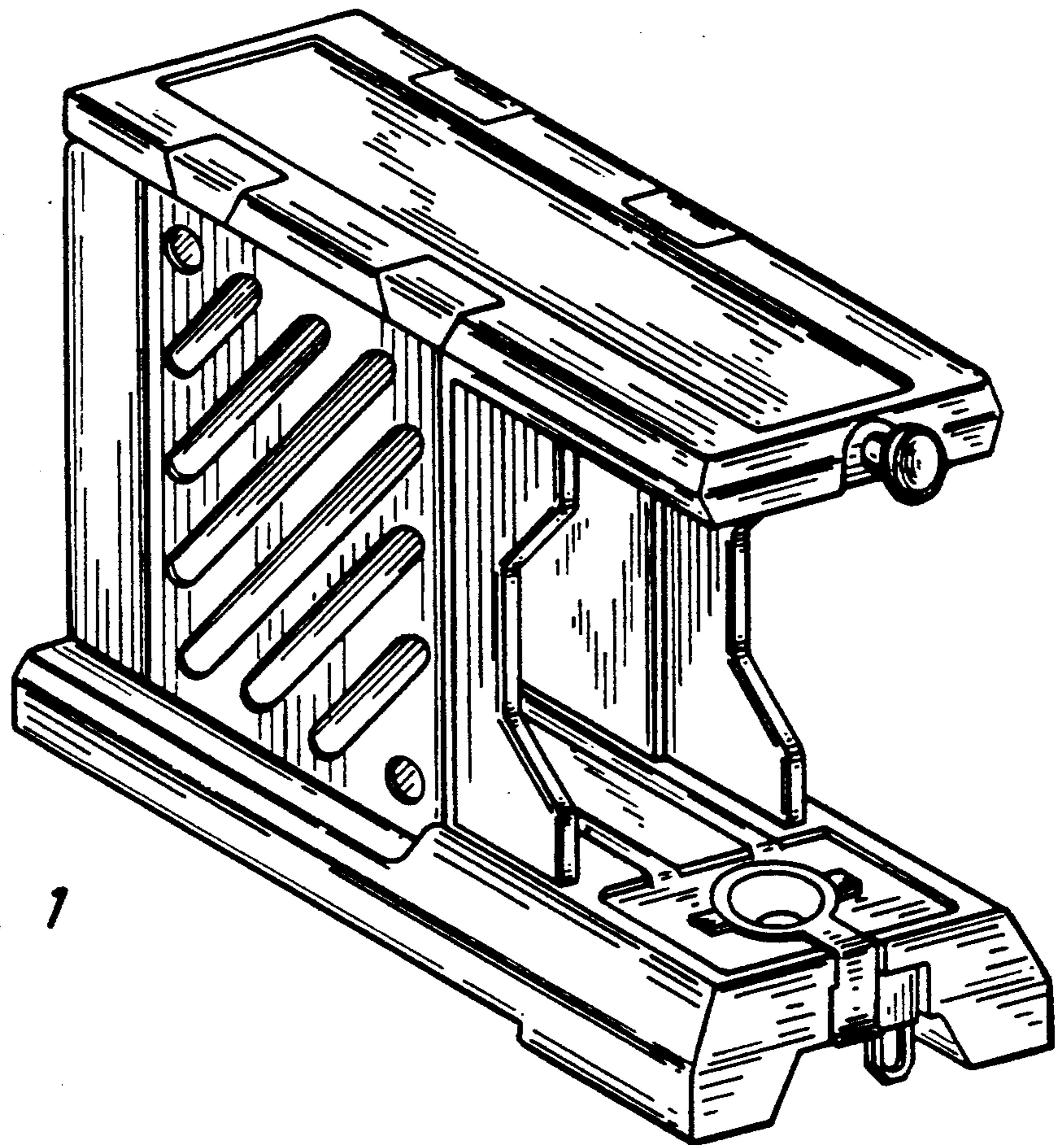


FIG. 1

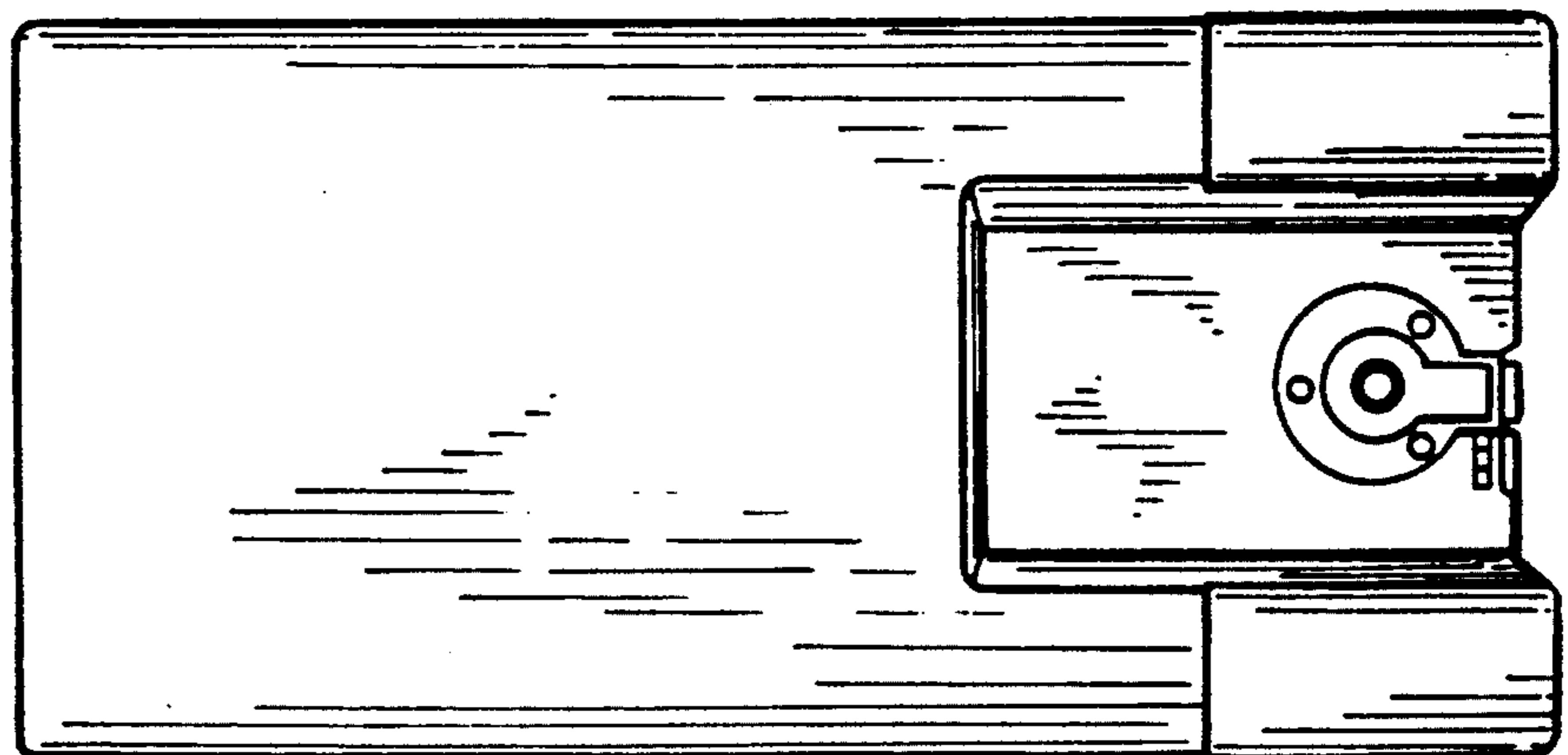


FIG. 2

FIG. 3

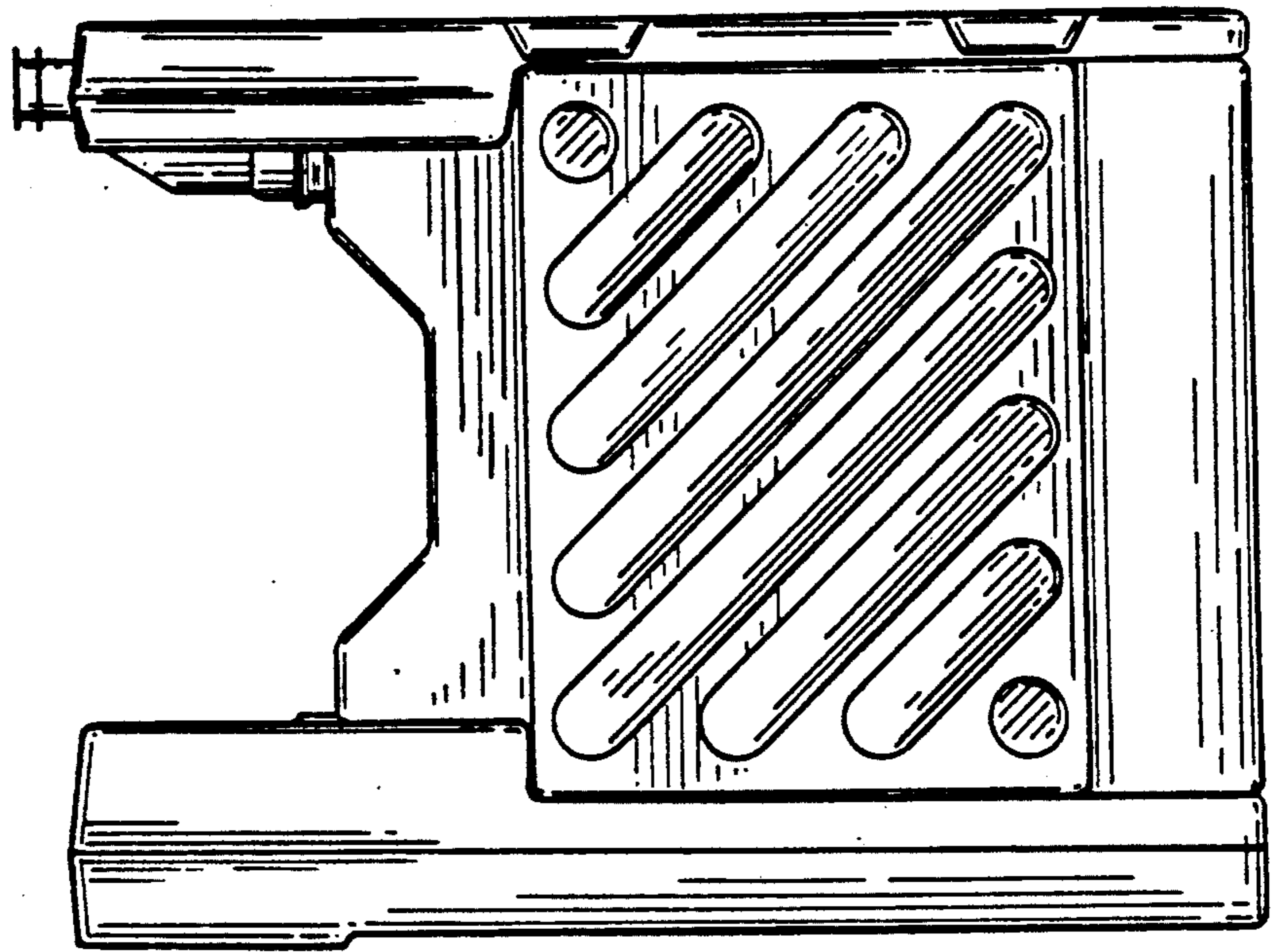
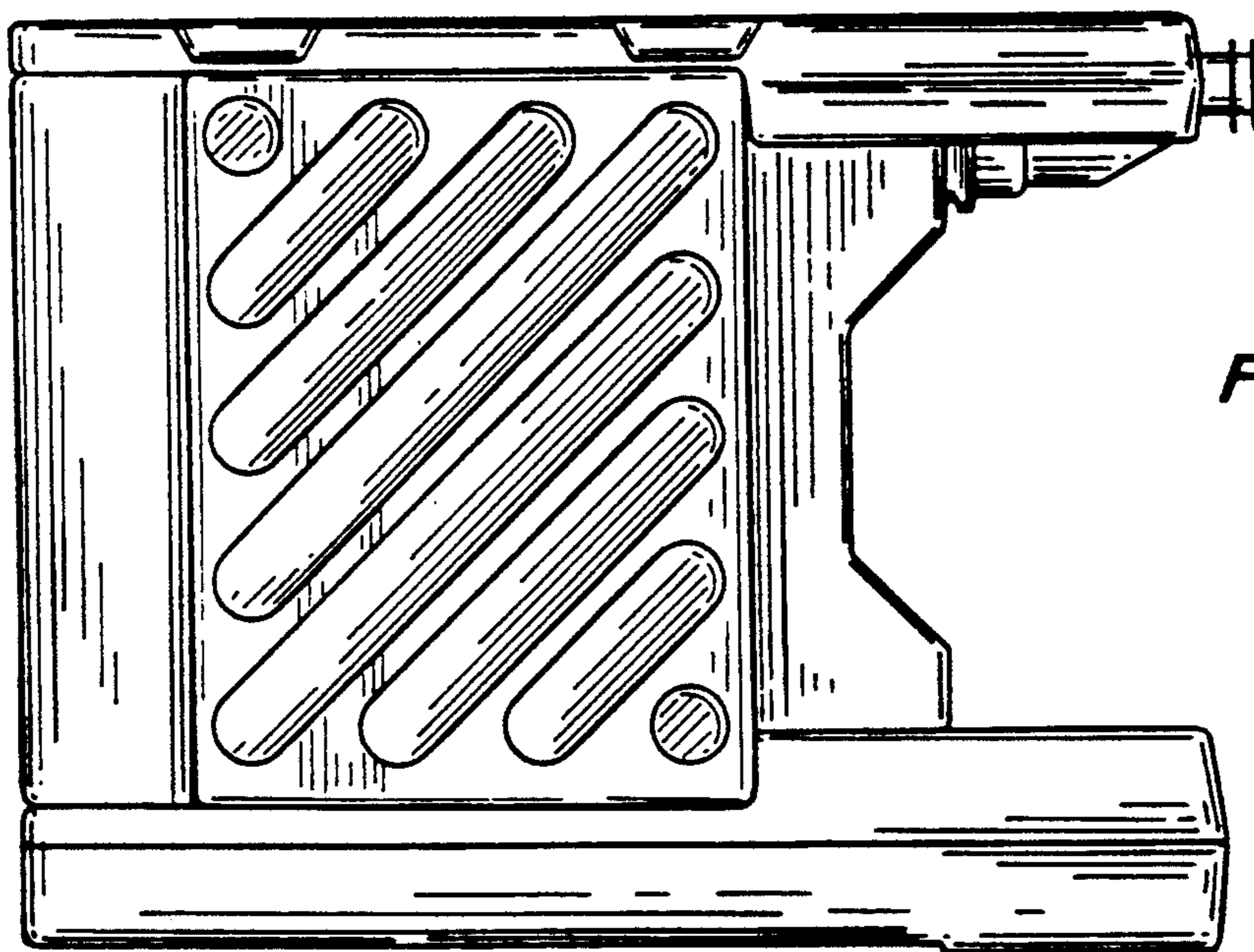


FIG. 4



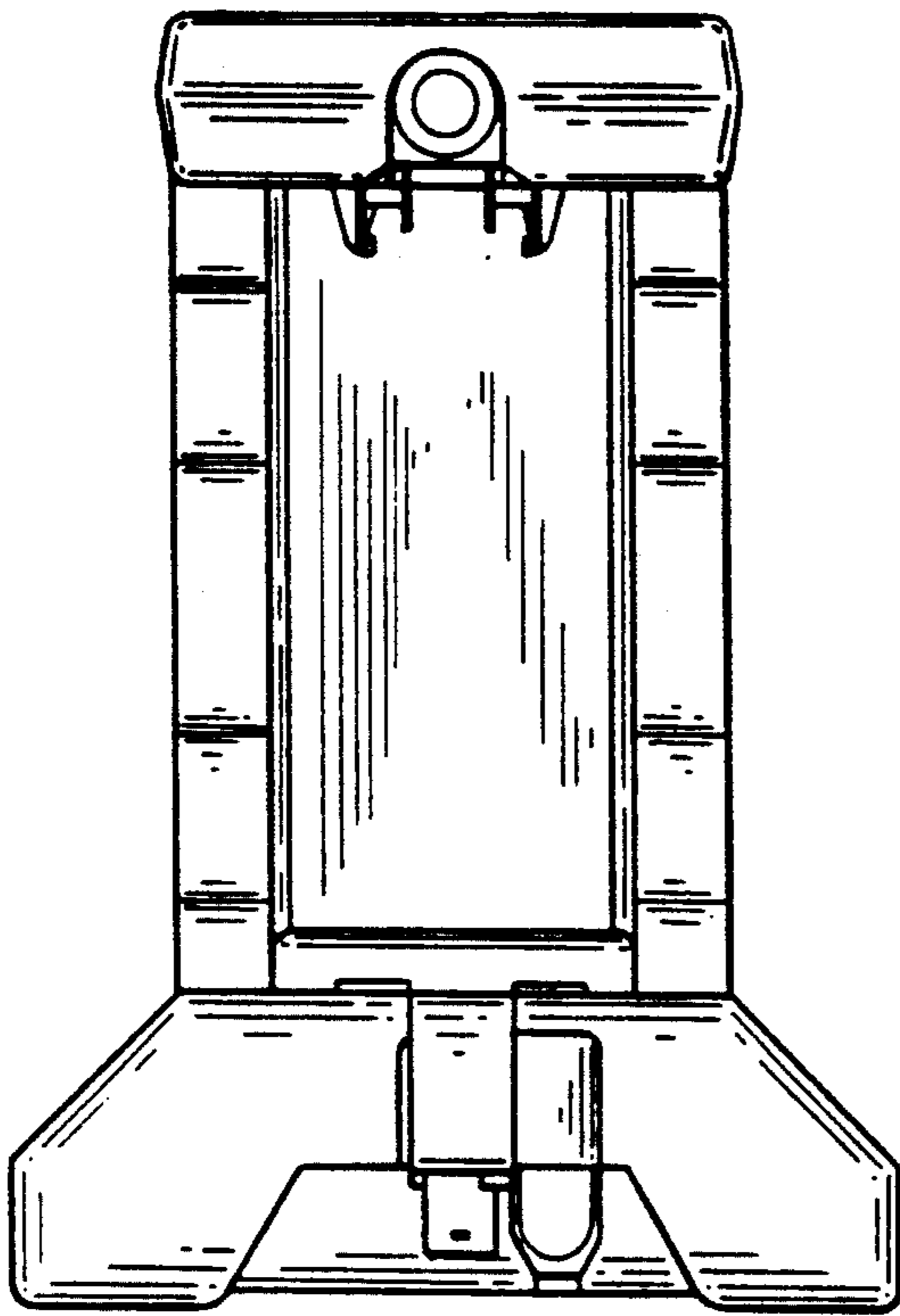


FIG. 5

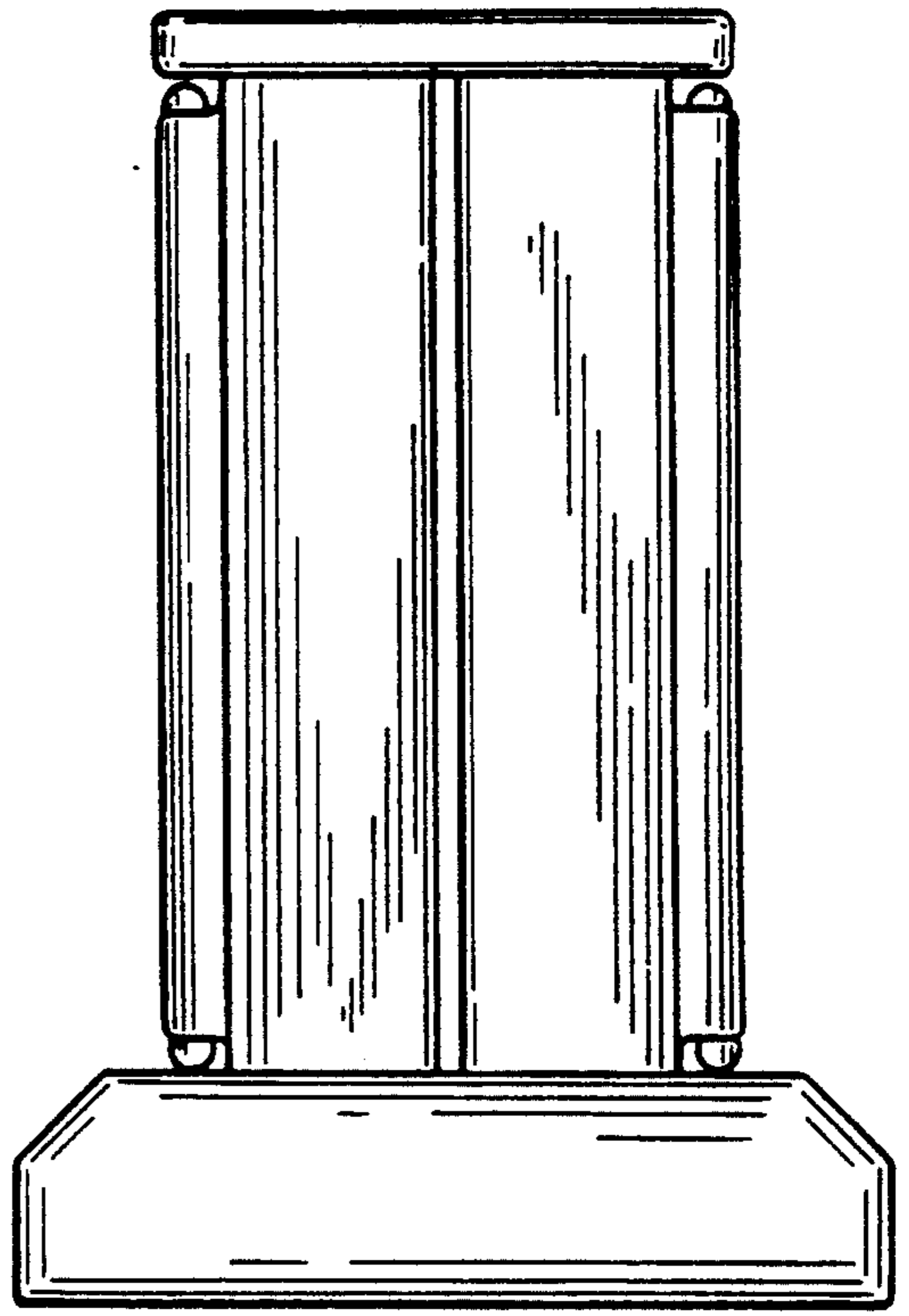


FIG. 6

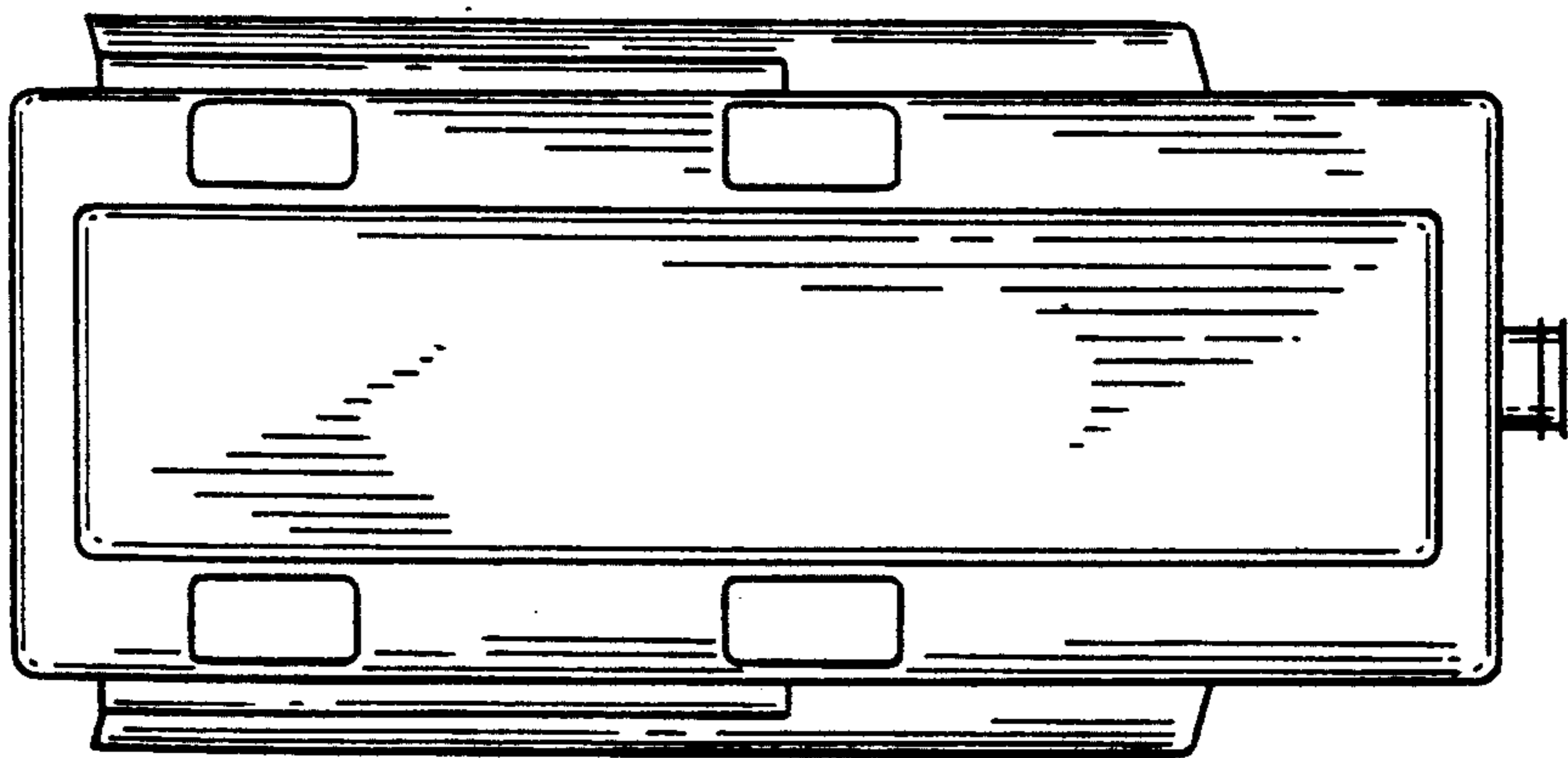


FIG. 7