



US00D339624S

United States Patent [19]

Nolan

[11] Patent Number: Des. 339,624

[45] Date of Patent: ** Sep. 21, 1993

[54] CHILD'S SWING SEAT

[75] Inventor: Robert J. Nolan, Columbus, Miss.

[73] Assignee: Par Industries, Inc., Medina, Ohio

[**] Term: 14 Years

[21] Appl. No.: 917,477

[22] Filed: Jul. 20, 1992

[52] U.S. Cl. D21/246

[58] Field of Search D21/240-244,
D21/246; 422/118-125

[56] **References Cited**

U.S. PATENT DOCUMENTS

D. 200,542	3/1965	Scanlon	D21/246
D. 221,877	9/1971	Richardson	D21/246
3,462,195	8/1969	Allen	472/118 X
3,712,614	1/1973	Sherman et al.	472/118

OTHER PUBLICATIONS

Medart Playground Apparatus, 1919, p. 103.
American Playground Products Co., 1945, p. 12 as shown.

Je Burke Co. 1963, p. 38, as shown.
Mexico Forge Cat. 1968, p. 18, as shown.

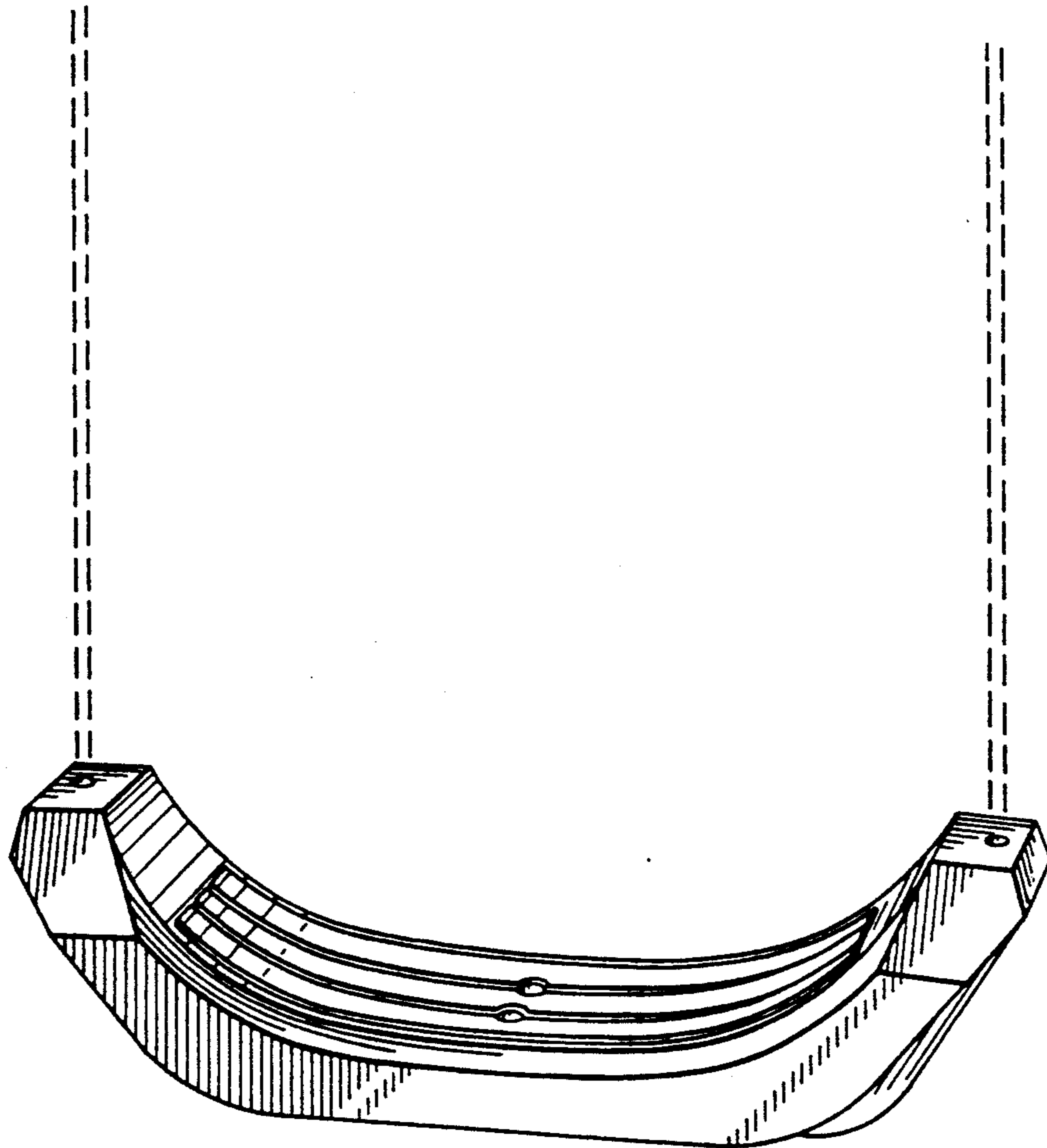
Primary Examiner—Bernard Ansher
Assistant Examiner—Prabhakar Deshmukh
Attorney, Agent, or Firm—Renner, Kenner, Greive, Bobak, Taylor & Weber

[57] **CLAIM**

The ornamental design for a child's swing seat, as shown and described.

DESCRIPTION

FIG. 1 is a perspective view of a child's swing seat showing my new design;
FIG. 2 is a bottom plan view thereof;
FIG. 3 is a top plan view thereof;
FIG. 4 is a front elevational view thereof, the rear elevational view thereof being a mirror image of that shown; and,
FIG. 5 is a side elevational view thereof, the opposite side being a mirror image of that shown.
The broken line showing of a support structure is for an environmental purpose only and forms no part of the claim.



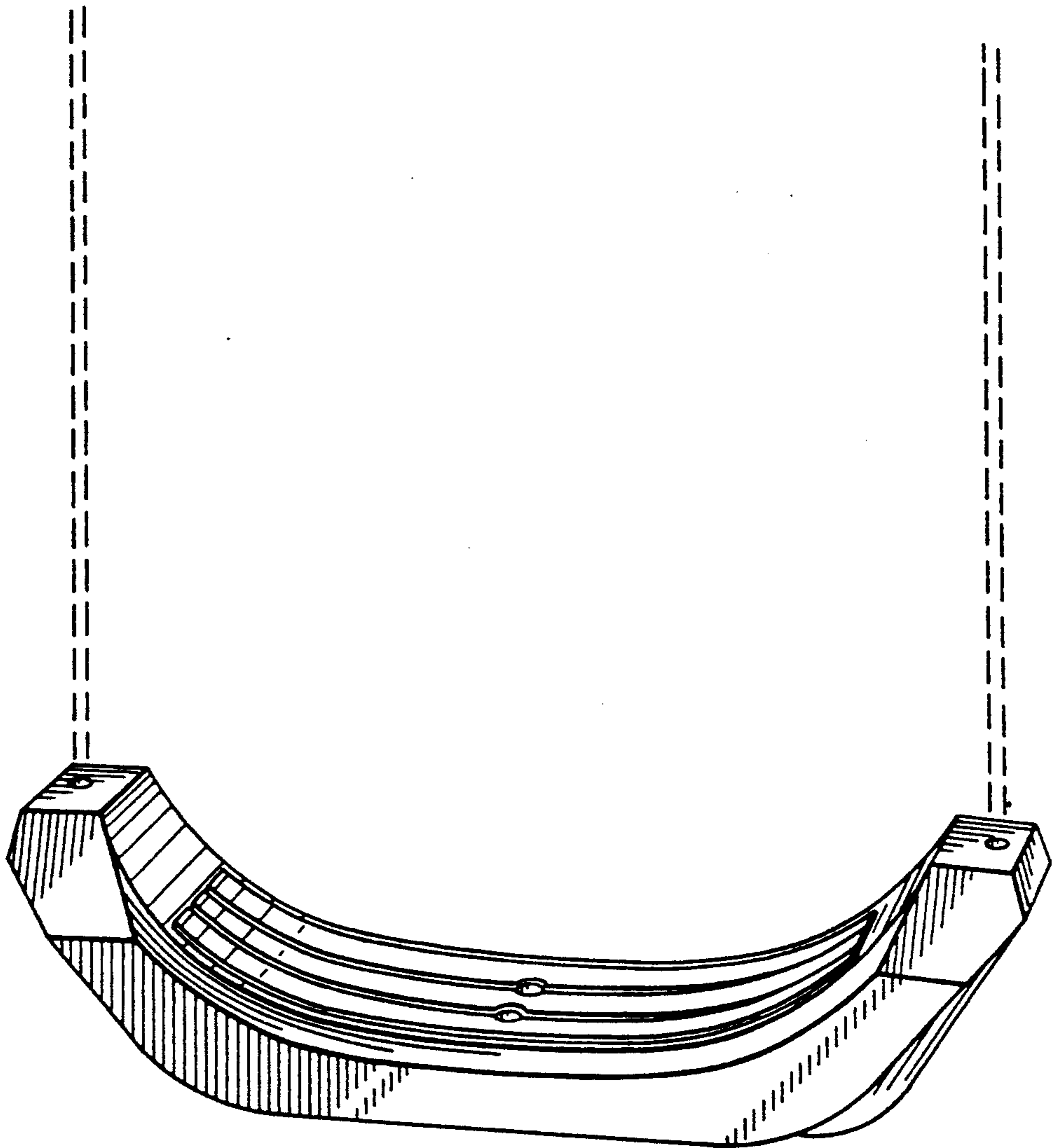


FIG. 1

FIG. 2

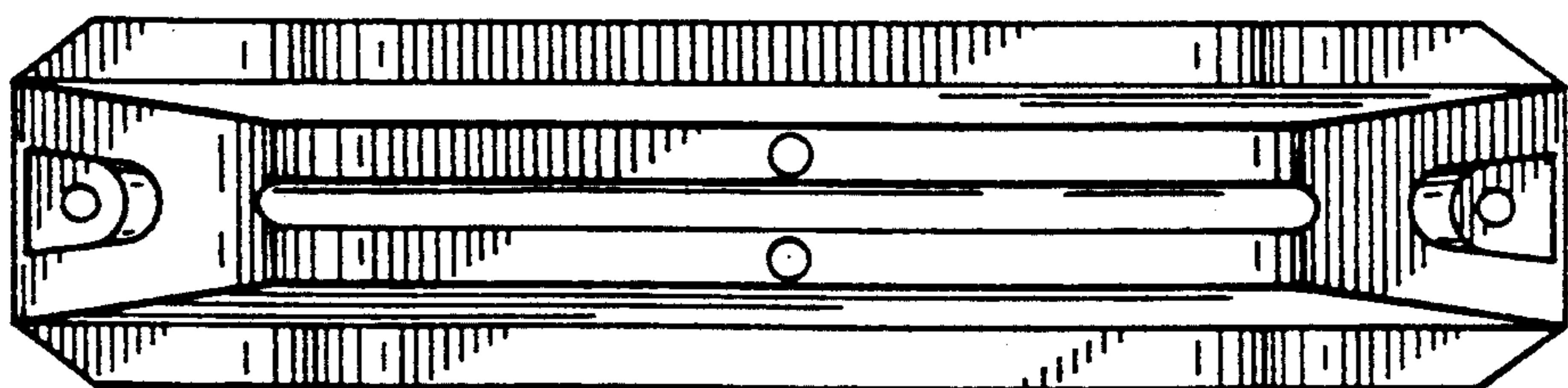


FIG. 3

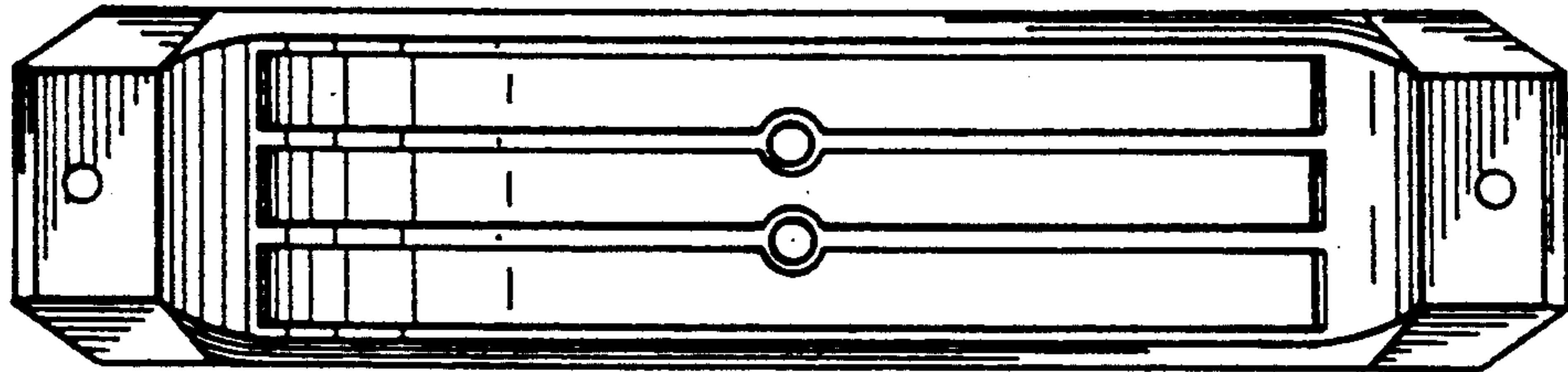


FIG. 4



FIG. 5

