



US00D339622S

United States Patent [19]

Herkness, II

[11] Patent Number: Des. 339,622

[45] Date of Patent: ** Sep. 21, 1993

[54] CROQUET PRACTICE WICKET

[76] Inventor: Wayne Herkness, II, 25 Mary's La.,
Lewisburg, W. Va. 24901

[**] Term: 14 Years

[21] Appl. No.: 751,211

[22] Filed: Aug. 28, 1991

[52] U.S. Cl. D21/202

[58] Field of Search D21/202; 273/56, 128 A,
273/128 B

1,784,818 12/1930 Bump D21/202 X
1,936,220 11/1933 Ziebarth 273/56
2,162,867 6/1939 Smith 273/56

Primary Examiner—Terry A. Pfeffer

[57] CLAIM

The ornamental design for a croquet practice wicket, as shown and described.

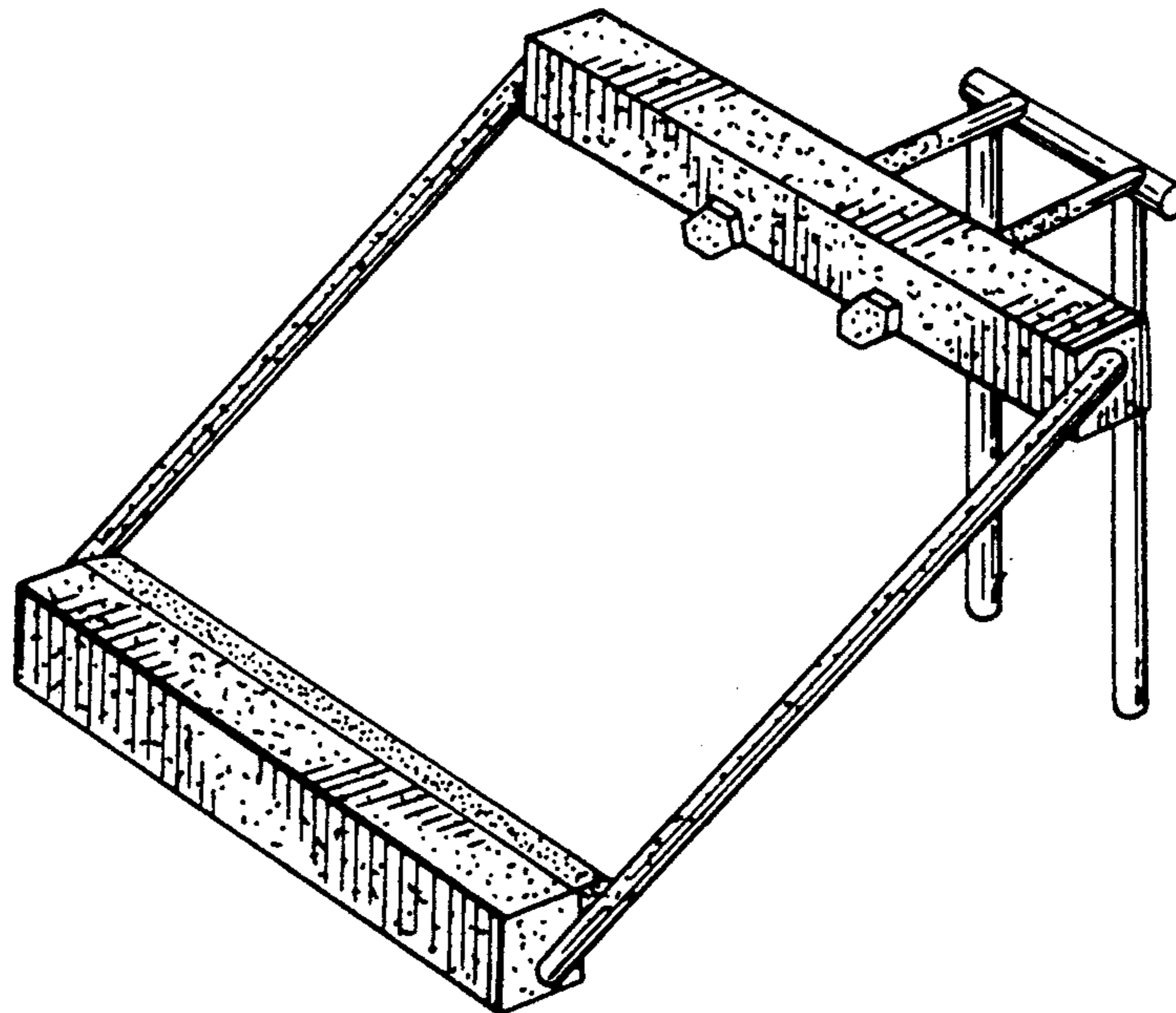
DESCRIPTION

FIG. 1 is a rear perspective view of the croquet practice wicket showing my new design;
FIG. 2 is a right side elevational view thereof, the opposite side being a mirror image;
FIG. 3 is a front elevational view thereof;
FIG. 4 is a top plan view thereof; and,
FIG. 5 is a rear elevational view thereof.

[56] References Cited

U.S. PATENT DOCUMENTS

124,786 3/1872 Brooks 273/56
1,540,771 6/1925 Foster 273/56



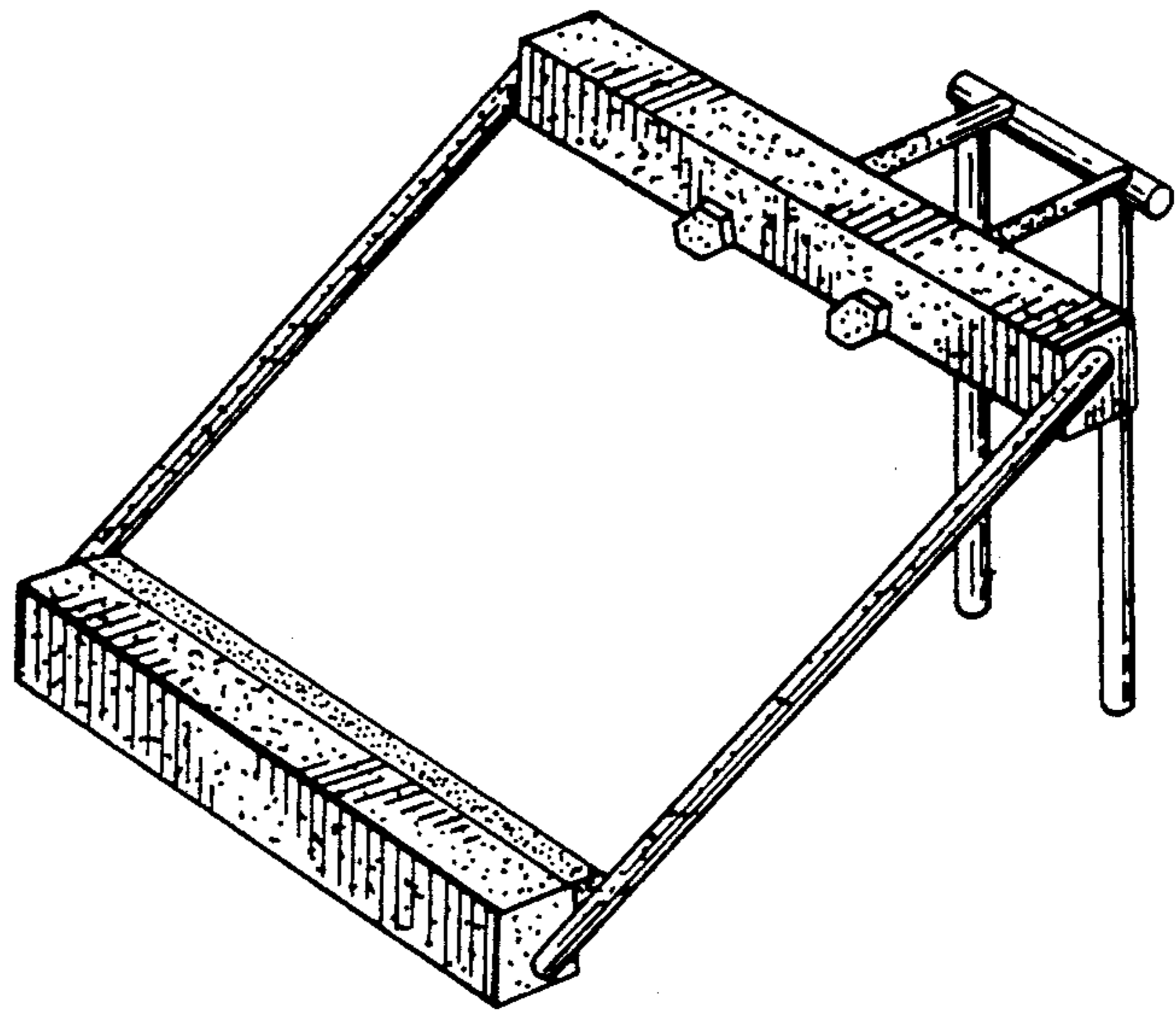


FIG. 1

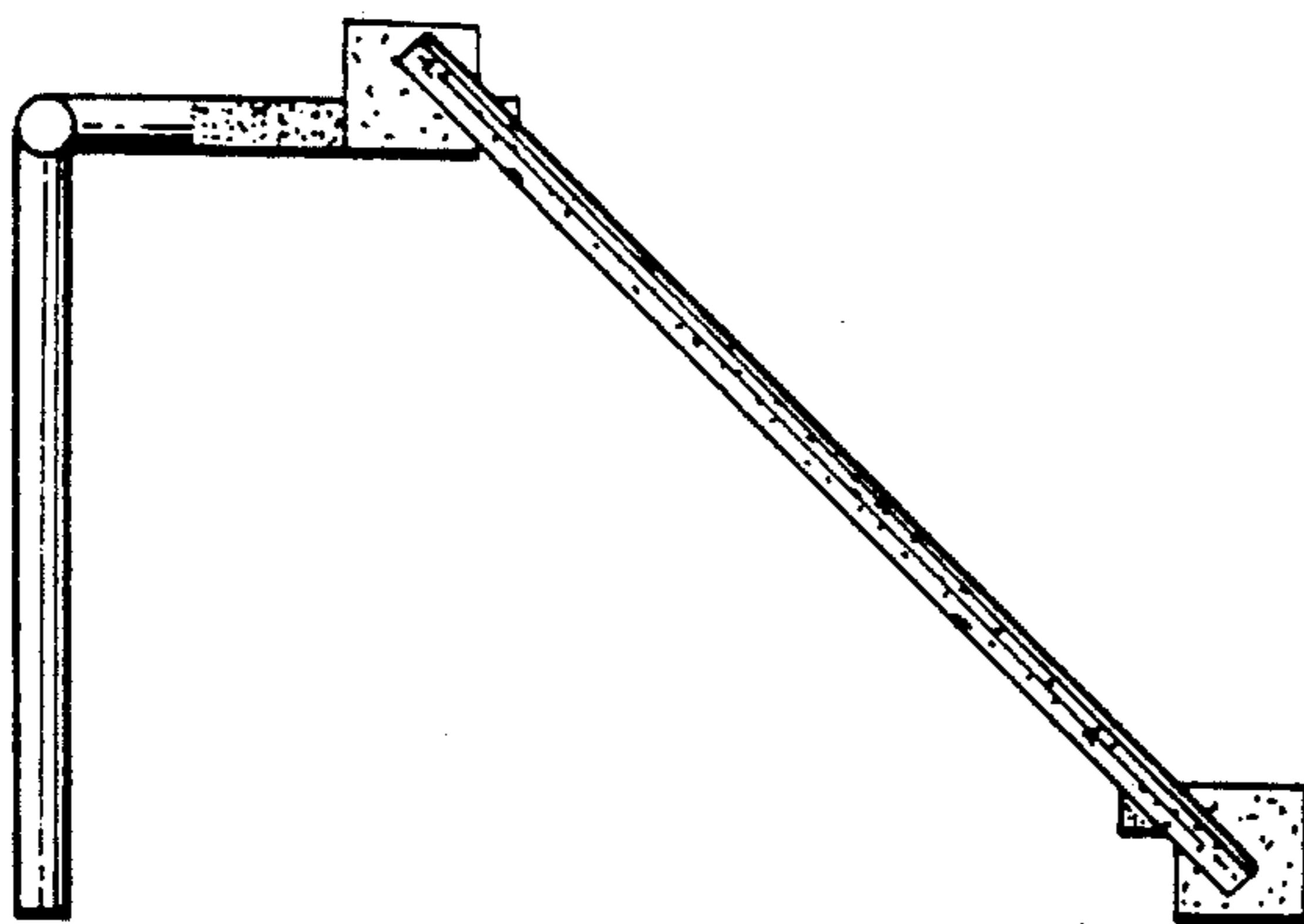


FIG. 2

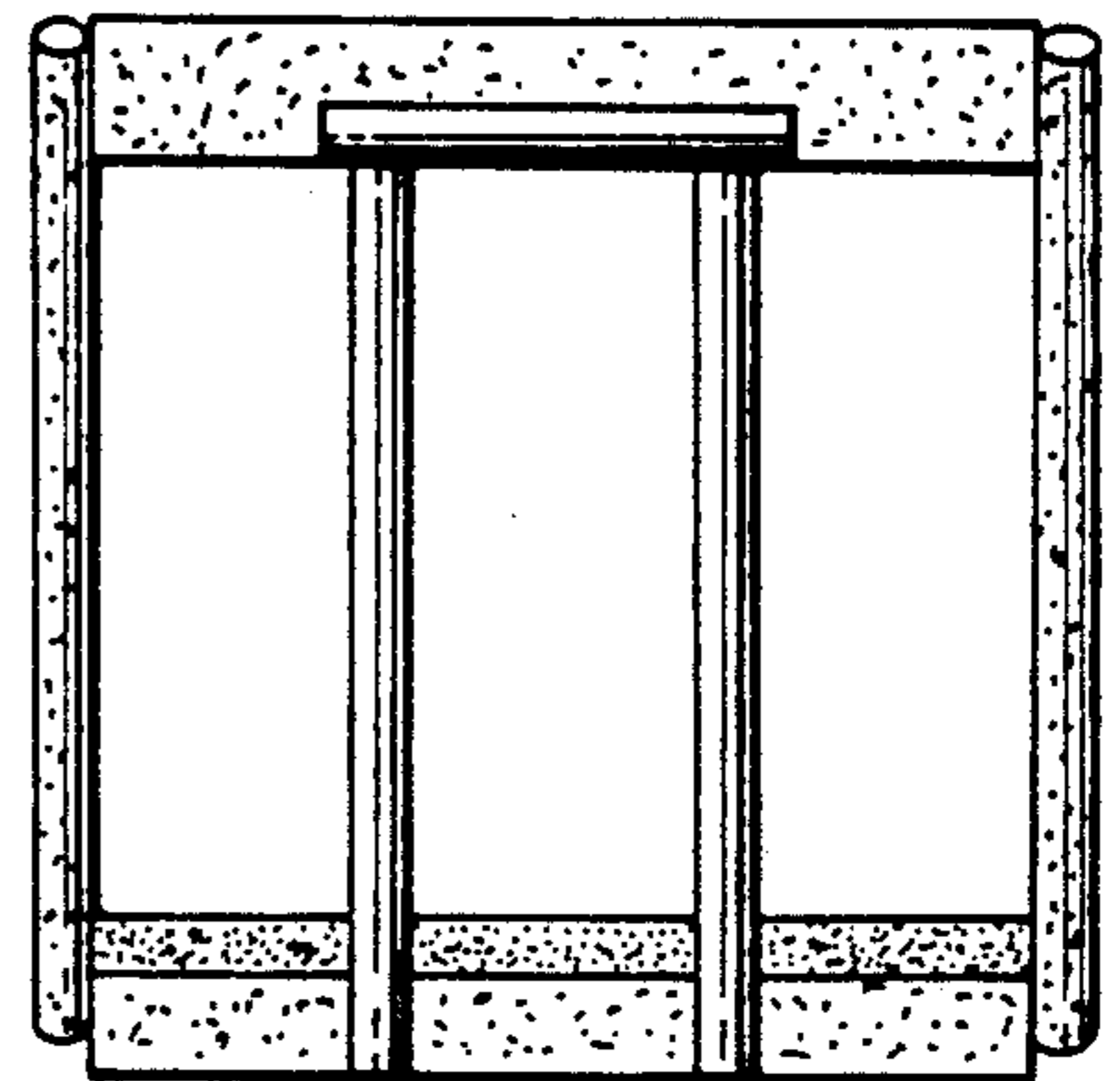


FIG. 3

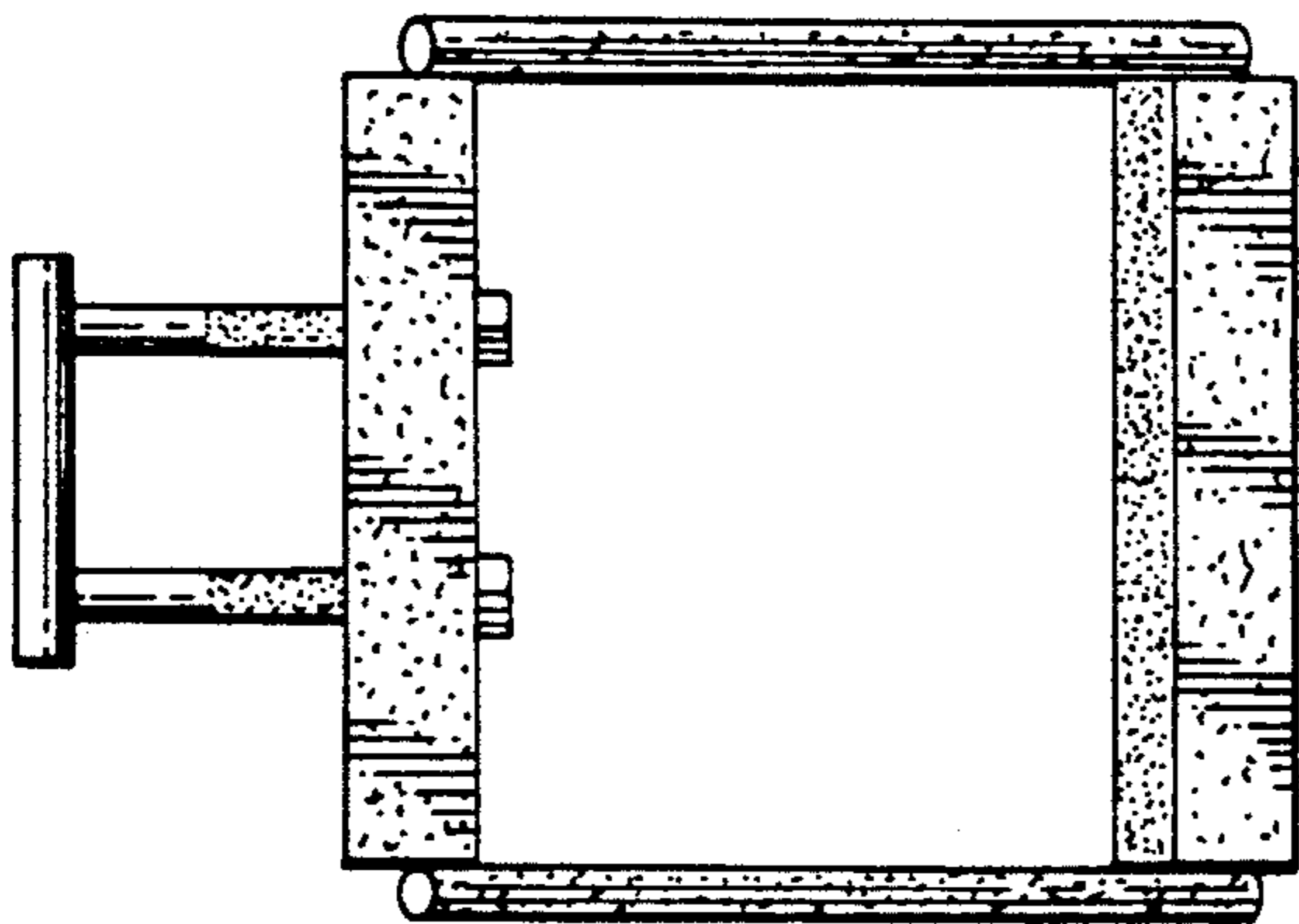


FIG. 4

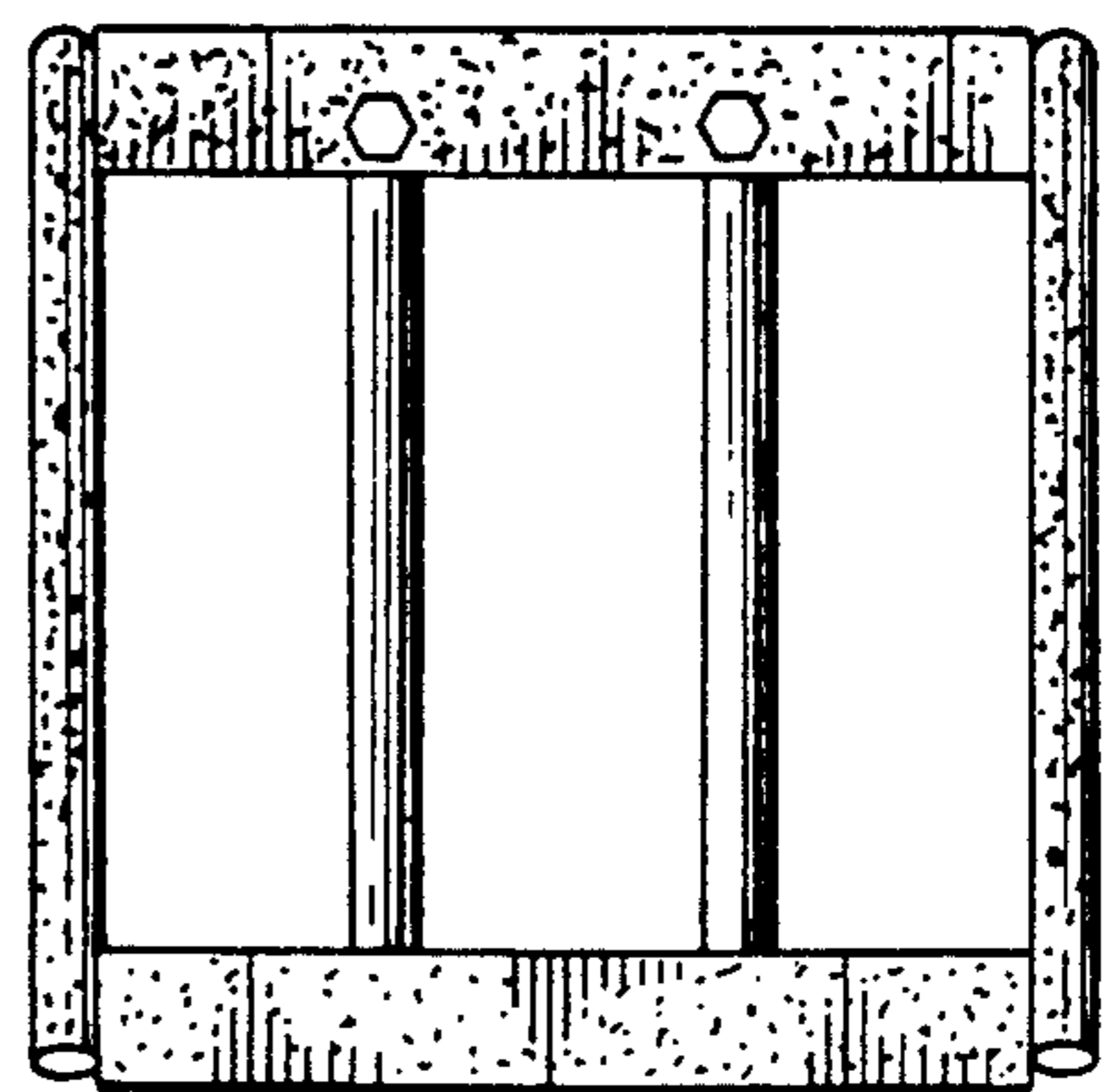


FIG. 5