



US00D339620S

United States Patent [19] Hand

[11] Patent Number: **Des. 339,620**
[45] Date of Patent: **** Sep. 21, 1993**

[54] **HAND WEIGHT FOR AQUATIC EXERCISE**

[76] Inventor: **Peter H. Hand, 9 Ansley Dr.,
Atlanta, Ga. 30309**

[**] Term: **14 Years**

[21] Appl. No.: **782,276**

[22] Filed: **Oct. 23, 1991**

[52] U.S. Cl. **D21/197**

[58] Field of Search **D21/191, 197, 198;
482/111, 108, 105, 106**

4,685,667 8/1987 McDonald 482/111
4,721,300 1/1988 Guzman 482/111
4,913,418 4/1990 Schlueter et al. 482/111

Primary Examiner—Bernard Ansher
Assistant Examiner—Philip Hyder
Attorney, Agent, or Firm—Jones & Askew

[57] CLAIM

The ornamental design for a hand weight for aquatic exercise, as shown.

DESCRIPTION

FIG. 1 is a perspective view showing my new hand weight for aquatic exercise;

FIG. 2 is an end view thereof;

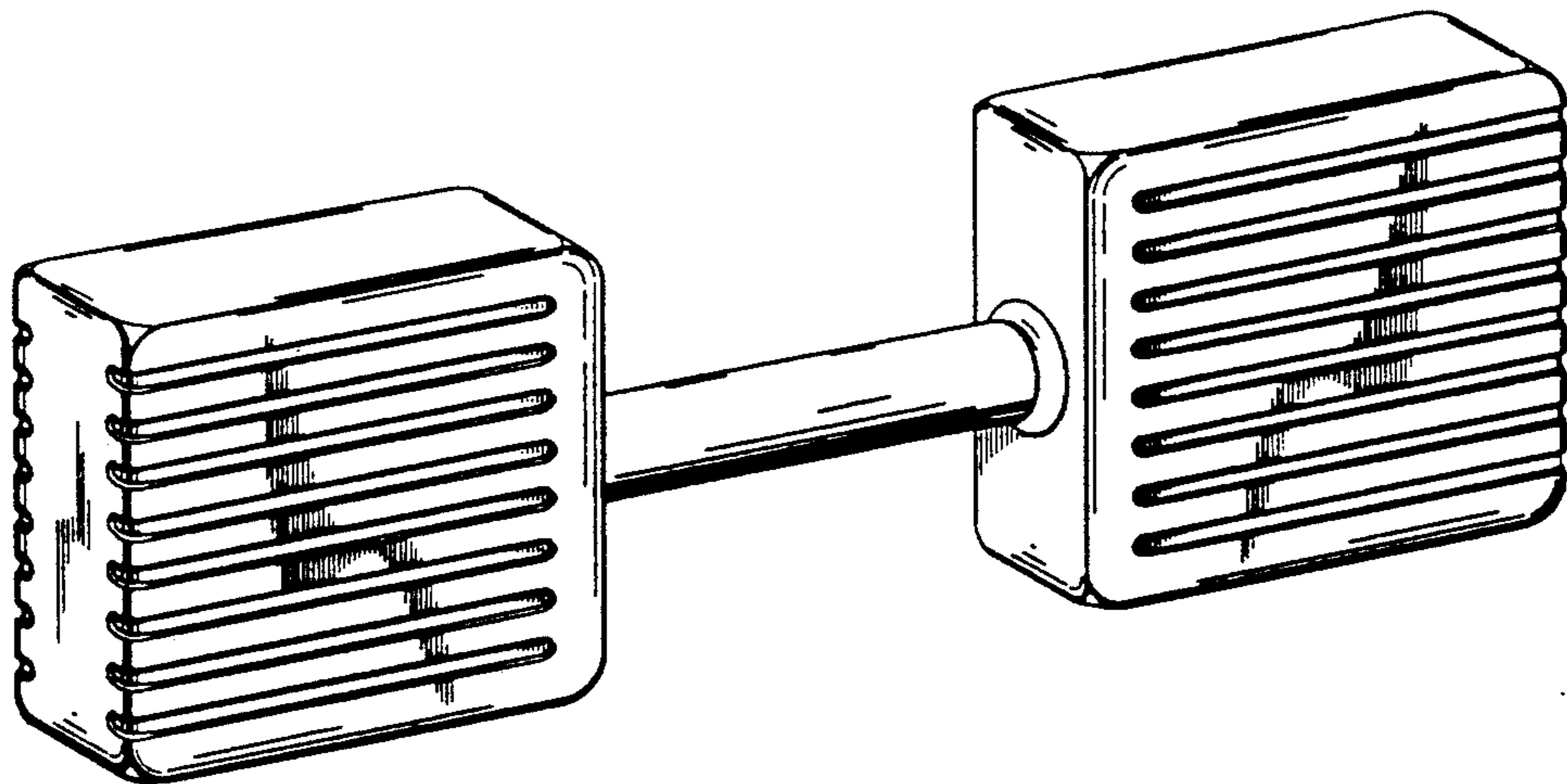
FIG. 3 is a front view thereof, the rear view being the same; and,

FIG. 4 is a top view thereof, the bottom view being the same.

[56] References Cited

U.S. PATENT DOCUMENTS

D. 309,763 8/1990 Solloway D21/197
4,311,306 1/1982 Solloway 482/108
4,480,829 11/1984 Yacoboski 482/111
4,509,744 4/1985 Beasley 482/111
4,632,387 12/1986 Guzman 482/111



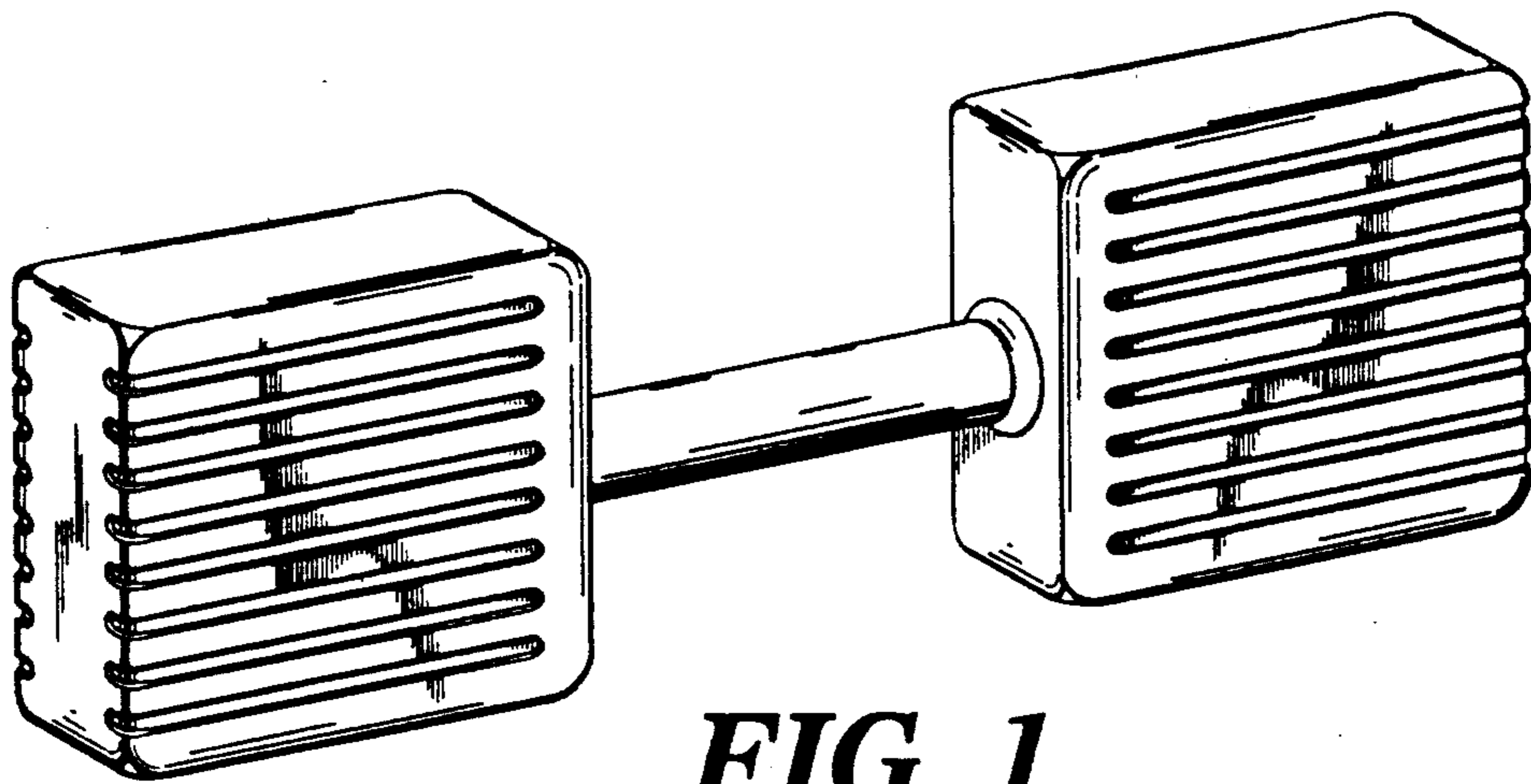


FIG 1

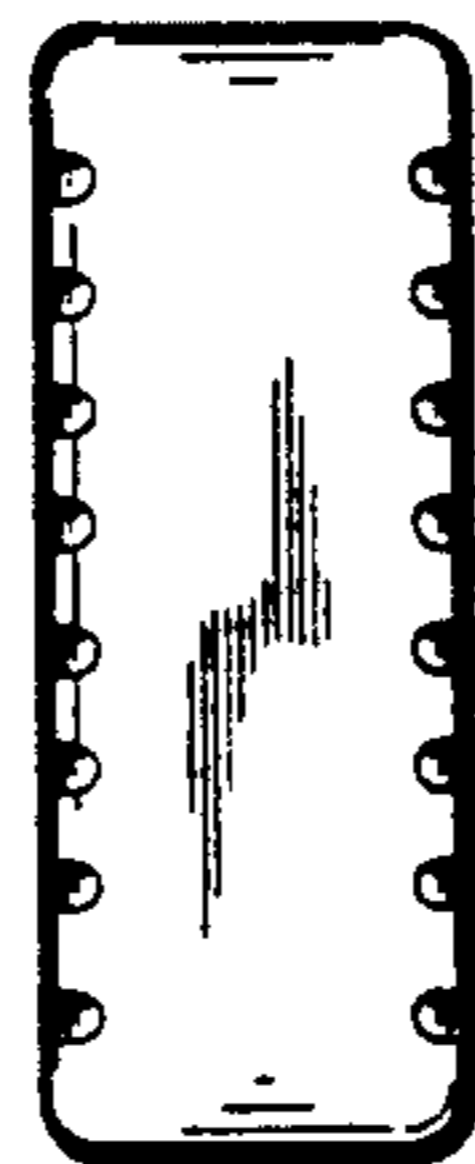


FIG 2

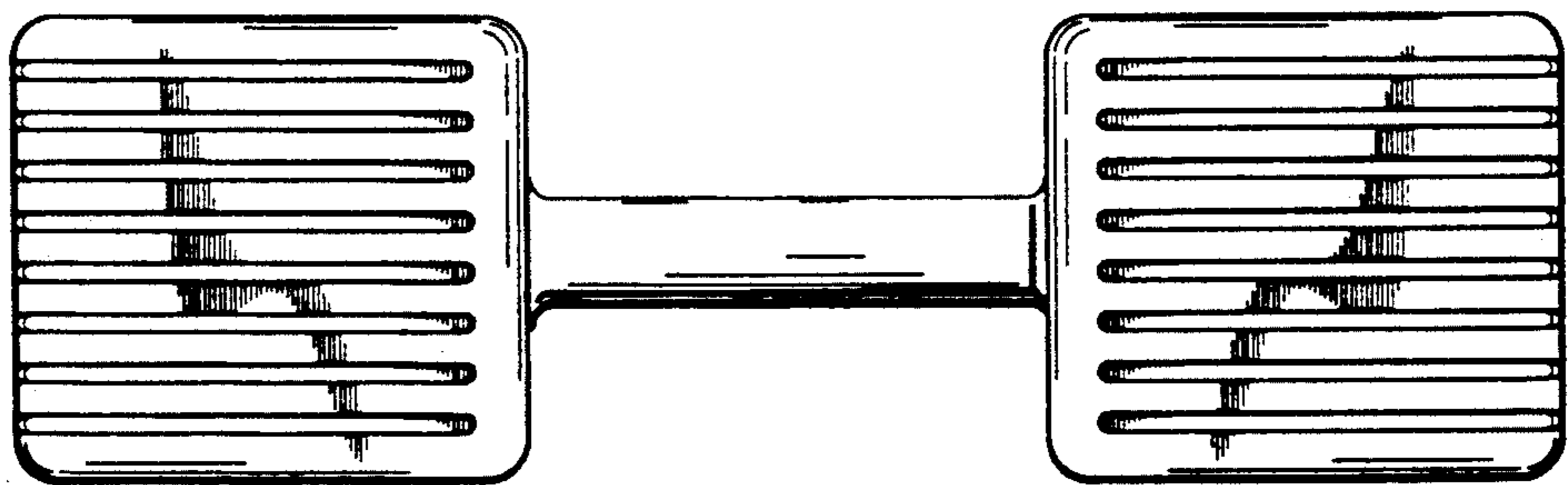


FIG 3

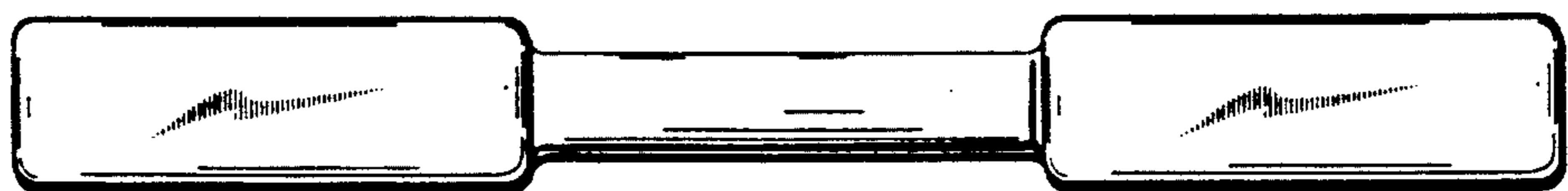


FIG 4